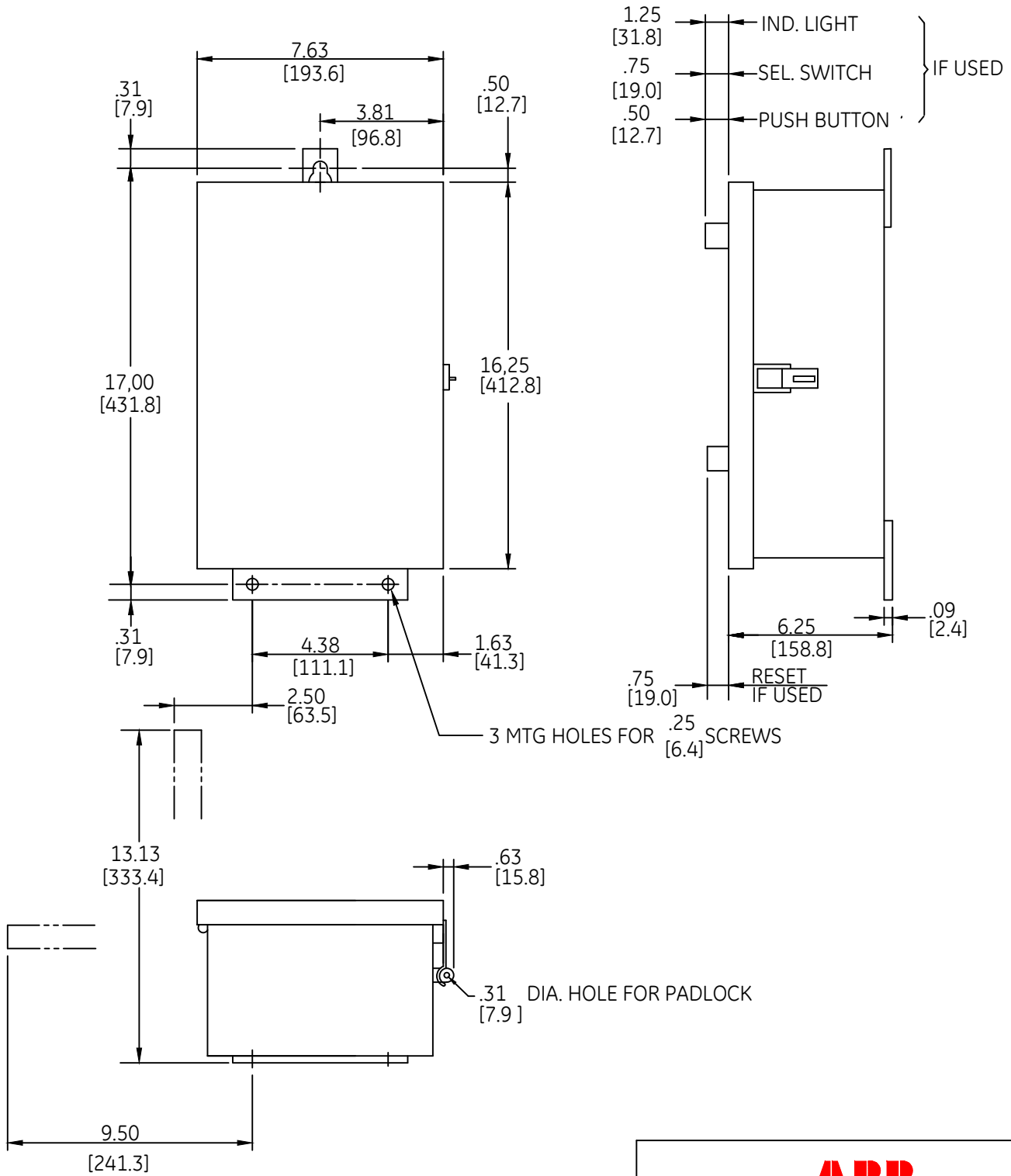


DUAL DIMENSIONS INCHES (ESTIMATING ONLY)
[MILLIMETERS]



ABB

OUTLINE
TYPE 12 ENCLOSED

THIRD ANGLE	SHEET#	DWG NO.	DATE	REV
	1 of 1	55-184781	03/21	05