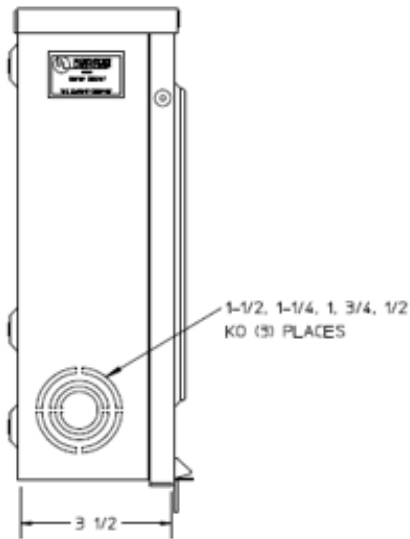
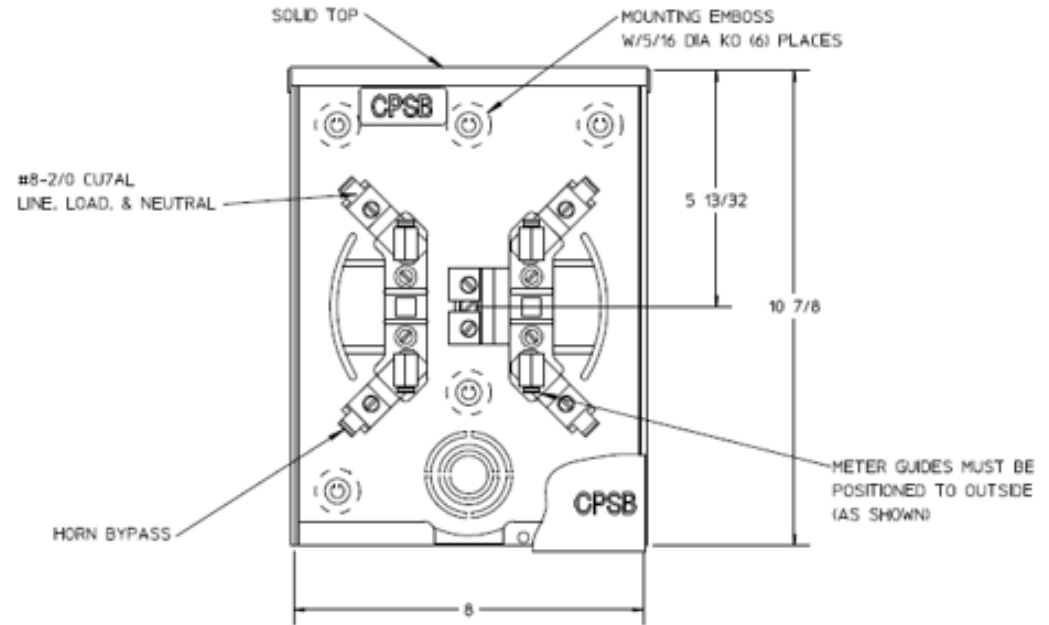


Left Side View



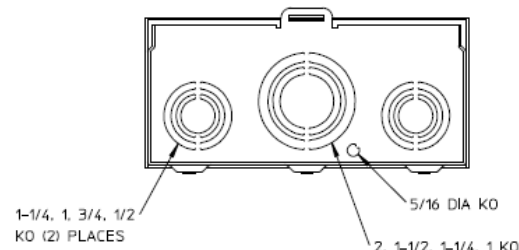
Front View Interior



Notes

- 1) FINISH: GRAY
- 2) CABINET: 16GA GALV. STEEL
- 3) 125AMP CONTINUOUS,
600 VAC, 1 PHASE, 3-WIRE
- 4) ATTACH CPSB LABEL TO THE
BACK OF UNIT AS SHOWN.
- 5) CPSB LOGO STAMPED ON LOWER
RIGHT HAND CORNER OF FRONT.

Bottom View



METER SKT-(1) 125A 600V 1P3W 16GA GALV STL N3R
4-TRM HORN BYP SOLID TOP T/B FEED CPSB

CAT NO	DWG DATE	REV #
1005826AMEP	03/15/2019	01