



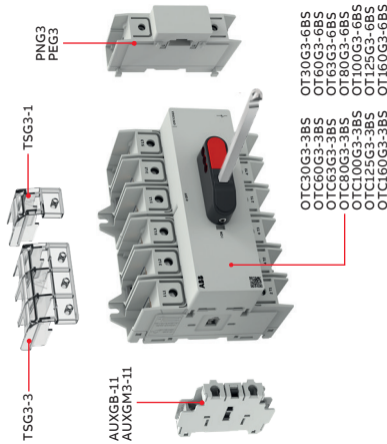
Contact us

ABB Oy
Muuttitie 2A 65320
Vaasa, Finland
abb.com/lowvoltage

© Copyright 2025 ABB. All rights reserved.
Specifications subject to change without notice.

34OT_G3-68 rev. D / 15CC301150M0202 # 28.02.2025

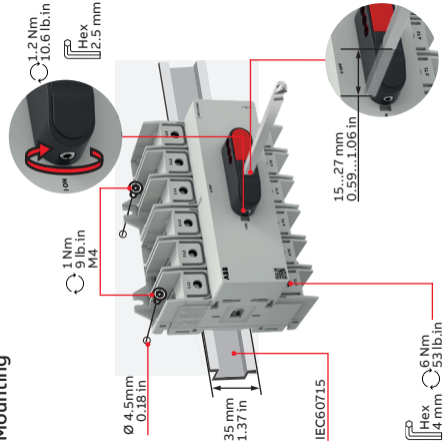
OT Plus OT30...160G3- & OTC30...160G3-



OT30G3-8BS
OT60G3-8BS
OT63G3-8BS
OT80G3-8BS
OT100G3-8BS
OT125G3-8BS

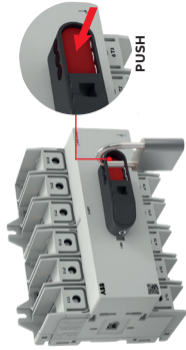
OTC30G3-4BS
OTC60G3-4BS
OTC63G3-4BS
OTC80G3-4BS
OTC100G3-4BS
OTC125G3-4BS
OTC160G3-4BS

Mounting

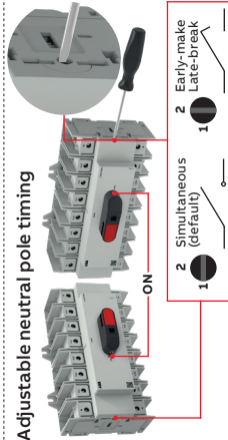


Padlock

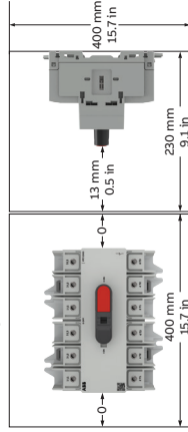
Ø 6 mm
0.23 in



Adjustable neutral pole timing



Clearances per UL98



Wiretype 1 Wire 2 Wire Stripping Tightening

Wiretype	(Cu only) (mm ²)	(mm ²)	length	torque
Class 5-Flexible	4-70	4-25		
Class 2-Stranded	4-70	4-25		
Class 6-Very flexible with ferrule	2.5-4	2.5-4		
Class 1-Solid	2.5-6	2.5-6		
UL - CU wire size 12-2/0 (AWG)				

16-18 mm
0.63 in
0.71 in

OTC30...160G3-

Switch I					
Switch II					



Warning! Hazardous voltage! Installation by person with electrotechnical expertise only.

