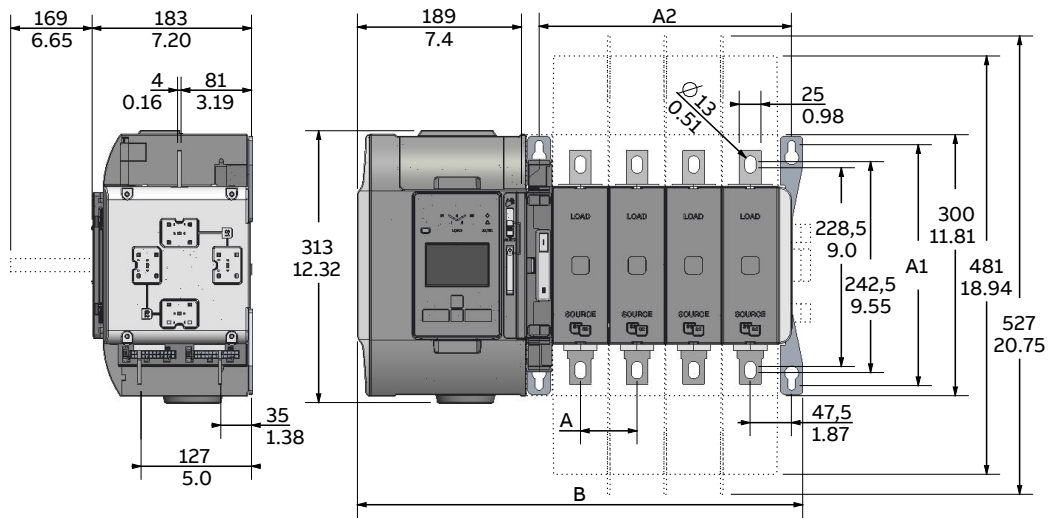


Dimension drawings

Automatic transfer switches

UL: 400U



UL: 400U			
No. of poles	2	3	4
A	65/2.56	65/2.56	65/2.56
A1	277/10.91	277/10.91	277/10.91
A2	160/6.30	225/8.86	290/11.42
B	382/15.04	447/17.60	512/20.16

Note: B dimension, recommended to leave 2cm/1" free space on the left side (for removing the mechanism)