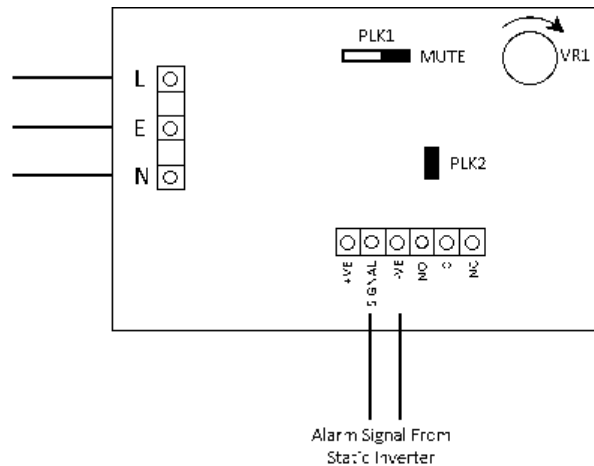


PRODUCT SPECIFICATION

Remote Alarm Unit (RAU)

ELD0075.003A



BS5266 Part 8 (BS EN 50172 section 7.2.2 requires that a visual daily check of the central power supply alarms is made. It is also a requirement that the CPS should be located in a secure area, which is typically a locked switch room in the basement.

We offer an optional Remote Alarm Unit (RAU), which assists the user to identify any alarm conditions. Remote Alarm Unit providing both audible and visual fault indication with mute facility. The RAU requires a local 220 – 240v AC supply and should be linked to the static inverter unit by a two-core cable.

Electrical	Supply Voltage:	220 – 240v AC
	Output:	12v DC, 140mA
	Relay:	Volt-Free, Rated at 30v DC at 1A. - Normally Open - Normally Closed - Common
	Battery Backup:	500mA - 24 Hours Standby, Or - 15 Minutes Alarm
	Cable (To Static Inverter):	2-Core
	Dimensions:	147mm L x 39mm W x 87mm H
	Alarm Indication:	Sound Buzzer (Volume Adjustable) Visual LED
	Mute/Reset Facility:	Yes

The content of this ABB document has been checked carefully for accuracy at the time of print. However, ABB does not give any warranty of any kind, expressed or implied in this respect and shall not be liable for any loss or damage that may result from any use or as a consequence of any inaccuracies in or any omissions from the information which it may contain. We reserve the right to modify, update products as part of our policy of continuous product development. E&OE

EMERGI-LITE	DOCUMENT ID.	DATE.	PAGE
	ELD0075.003A – Spec – ELD0075.003A	JUL 20	1/1