

Stanilite®

Platinum Spitfire® LED weatherproof non-maintained



Range

Platinum range

Product group

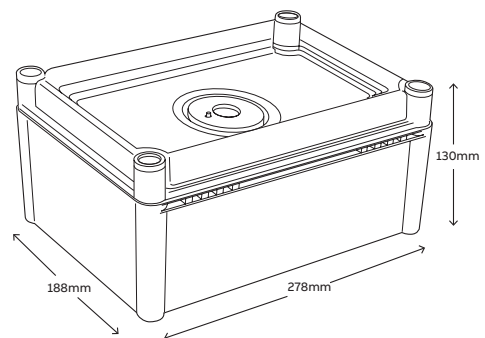
Spitfire LED



Features

- Superior photometric classification
- LED technology 100,000 hours plus lamp life
- Single or dual LED
- Low power consumption and LED light source for reduced operation and maintenance costs
- Polycarbonate IP67 weatherproof enclosure
- Advanced charging technology combined with Lithium iron phosphate battery for long life and low maintenance
- Surface mount
- Low maintenance - ideal for car parks and coolrooms

Catalogue no.	Description
EM products	
SFBWP1LEDP	Platinum Spitfire single LED weatherproof surface mount
SFBWP2LEDP	Platinum Spitfire dual LED weatherproof surface mount
Spare parts	
03-01301P	Battery LiFePO4 3.2V 3.2Ah (suits single LED)
03-01303P	Battery LiFePO4 3.2V 4.5Ah (suits dual LED)



Dimensions		
Length	Width	Height
278mm	188mm	130mm
Weight		
Model	Weight	
EM	2.8kg	
Construction		
Part	Construction	
Lamp head	White polycarbonate	
Weatherproof enclosure	Polycarbonate	

Light source			
	Model	Light source	
	Single LED	2W	
	Dual LED	3W	

Power consumption			
	Model	Power consumption	
	EM	1.0W	

Note: Preliminary results

Photometrics			
	Model	Class	Classification
	Single LED	C0	D40
		C90	D40
	Dual LED	C0	D63
		C90	D63

Note: Preliminary results

Note:

- Designed to comply with AS2293 and meet relevant Australian EMC standards