

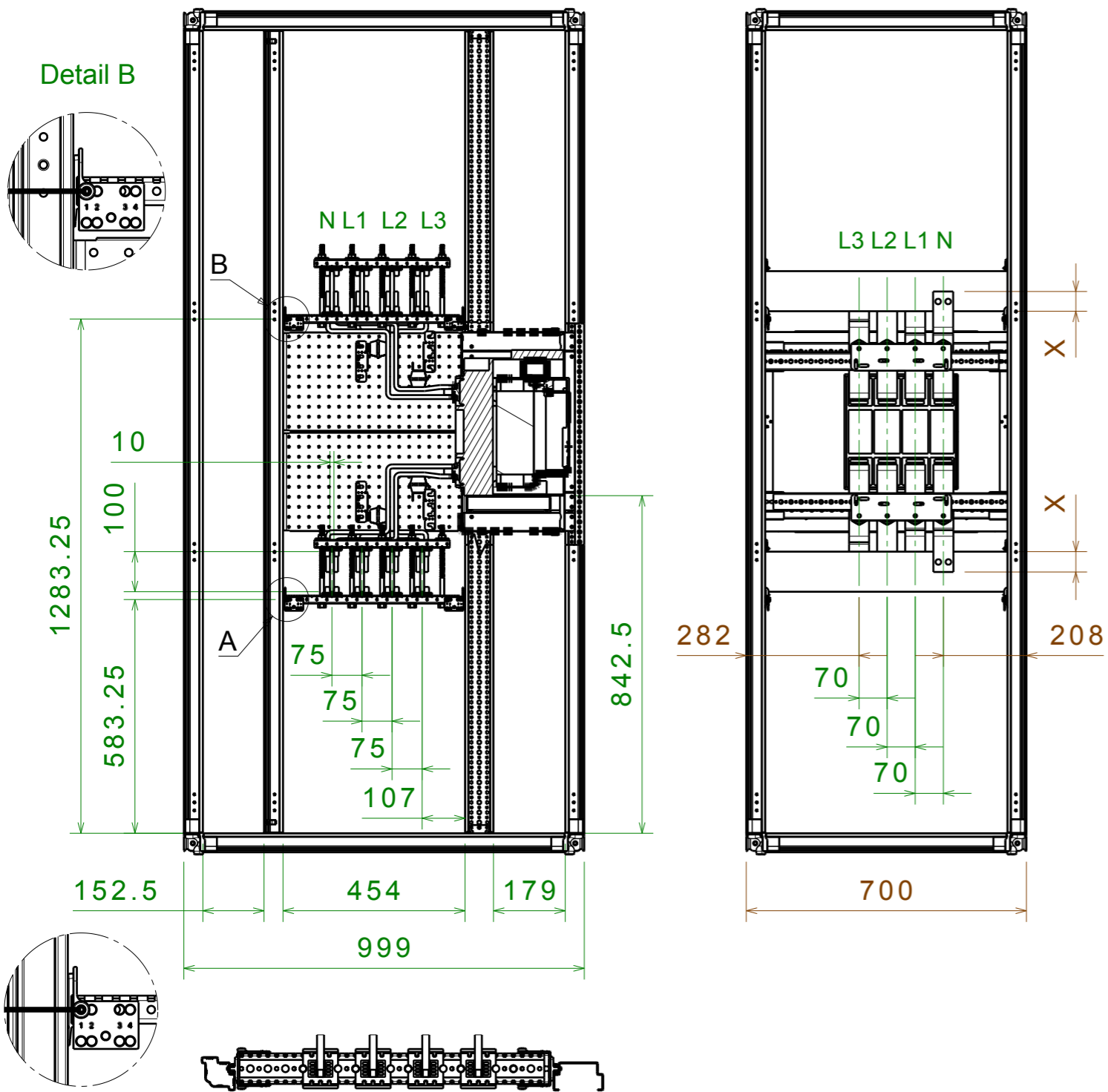
COLONNE ARRIVO SINGOLO - SM

Corrente nominale omnibus [A]	Grado di protezione IP	Kit interruttore di arrivo	Rating interruttore [A]	Tavole di riferimento $I_{cw} \leq 36$ [kA]	Tavole di riferimento $I_{cw} > 36$ [kA]	Sistema di ancoraggio $I_{cw} \leq 36$ [kA]	Sistema di ancoraggio $I_{cw} > 36$ [kA]	Nome File online
1000	IP30	Tmax T7/Emax E1.2	1000	863709 863707 863712 863819	863709 863708 863712 863820	863876	863877	SM_MB_1000_1250IP30_1600IP40_T7_E1.2W1000UpTo1600
1250	IP30	Tmax T7/Emax E1.2	1000 ÷ 1250	863709 863707 863712 863819	863709 863708 863712 863820	863876	863877	SM_MB_1000_1250IP30_1600IP40_T7_E1.2W1000UpTo1600
1600	IP40	Tmax T7/Emax E1.2	1000 ÷ 1600	863709 863707 863712 863819	863709 863708 863712 863820	863876	863877	SM_MB_1000_1250IP30_1600IP40_T7_E1.2W1000UpTo1600
2000	IP30	Tmax T7/Emax E1.2	1000 ÷ 1600	876715 863713	863715 863714	863876	863877	SM_MB_2000_2500_3200IP30_2000_2500IP40_T7_E1.2W1000UpTo1600
		Emax E2.2	2000	863689 863690	863689 863691	863876	863877	SM_MB_2000_2500_3200IP30_2000_2500IP40_E2.2W2000UpTo2500
2000	IP40	Tmax T7/Emax E1.2	1000 ÷ 1600	876715 863713	863715 863714	863876	863877	SM_MB_2000_2500_3200IP30_2000_2500IP40_T7_E1.2W1000UpTo1600
		Emax E2.2	2000	863689 863690	863689 863691	863876	863877	SM_MB_2000_2500_3200IP30_2000_2500IP40_E2.2W2000UpTo2500
2500	IP30	Tmax T7/Emax E1.2	1000 ÷ 1600	876715 863713	863715 863714	863876	863877	SM_MB_2000_2500_3200IP30_2000_2500IP40_T7_E1.2W1000UpTo1600
		Emax E2.2	2000	863689 863690	863689 863691	863876	863877	SM_MB_2000_2500_3200IP30_2000_2500IP40_E2.2W2000UpTo2500
		Emax E2.2	2500	863686 863687	863686 863688	863876	863877	SM_MB_2000_2500_3200IP30_2000_2500IP40_E2.2W2000UpTo2500
2500	IP40	Tmax T7/Emax E1.2	1000 ÷ 1600	876715 863713	863715 863714	863876	863877	SM_MB_2000_2500_3200IP30_2000_2500IP40_T7_E1.2W1000UpTo1600
		Emax E2.2	2000	863689 863690	863689 863691	863876	863877	SM_MB_2000_2500_3200IP30_2000_2500IP40_E2.2W2000UpTo2500
		Emax E2.2	2500	863686 863687	863686 863688	863876	863877	SM_MB_2000_2500_3200IP30_2000_2500IP40_E2.2W2000UpTo2500
3200	IP30	Tmax T7/Emax E1.2	1000 ÷ 1600	876715 863713	863715 863714	863876	863877	SM_MB_2000_2500_3200IP30_2000_2500IP40_T7_E1.2W1000UpTo1600
		Emax E2.2	2000	863689 863690	863689 863691	863876	863877	SM_MB_2000_2500_3200IP30_2000_2500IP40_E2.2W2000UpTo2500
		Emax E2.2	2500	863686 863687	863686 863688	863876	863877	SM_MB_2000_2500_3200IP30_2000_2500IP40_E2.2W2000UpTo2500
		Emax E4.2	3200		863695 863696		863877	SM_MB_3200IP30_E4.2W_3200A
3200	IP40	Tmax T7/Emax E1.2	1000 ÷ 1600		863716 863717		863877	SM_MB_4000IP30_3200IP40_T7_E1.2W1000UpTo1600
		Emax E2.2	2000		863704 863705		863877	SM_MB_4000IP30_3200IP40_E2.2W2000UpTo2500
		Emax E2.2	2500		863701 863702		863877	SM_MB_4000IP30_3200IP40_E2.2W2000UpTo2500
		Emax E4.2	3200		863698 863699		863877	SM_MB_4000IP30_3200IP40_E4.2W_3200A
4000	IP30	Tmax T7/Emax E1.2	1000 ÷ 1600		863716 863717		863877	SM_MB_4000IP30_3200IP40_T7_E1.2W1000UpTo1600
		Emax E2.2	2000		863704 863705		863877	SM_MB_4000IP30_3200IP40_E2.2W2000UpTo2500
		Emax E2.2	2500		863701 863702		863877	SM_MB_4000IP30_3200IP40_E2.2W2000UpTo2500
		Emax E4.2	3200		863698 863699		863877	SM_MB_4000IP30_3200IP40_E4.2W_3200A
		Emax E4.2	4000		863692 863694		863877	SM_MB_4000IP30_3200IP40_E4.2W_3200A
4000	IP40	Tmax T7/Emax E1.2	1000 ÷ 1600		863710 863718		863877	SM_MB_4000IP40_T7_E1.2W1000UpTo1600
		Emax E2.2	2000		863711 863706		863877	SM_MB_4000IP40_E2.2W2000UpTo2500
		Emax E2.2	2500		863721 863703		863877	SM_MB_4000IP40_E2.2W2000UpTo2500
		Emax E4.2	3200		863720 863700		863877	SM_MB_4000IP40_E4.2W_3200UpTo4000A
		Emax E4.2	4000		863719 863693		863877	SM_MB_4000IP40_E4.2W_3200UpTo4000A
5000	IP30	Emax E4.2	3200		863922 863865			SM_MB_5000IP30_E4.2W_3200UpTo4000A
		Emax E4.2	4000		863920 863924			SM_MB_5000IP30_E4.2W_3200UpTo4000A
		Emax E6.2	5000		863861 863860 863867			SM_MB_5000_6300IP30_E6.2W_5000A
6300	IP30	Emax E4.2	3200		863923 863866			SM_MB_6300IP30_E4.2W_3200UpTo4000A
		Emax E4.2	4000		863921 863919			SM_MB_6300IP30_E4.2W_3200UpTo4000A
		Emax E6.2	5000		863861 863860 863867			SM_MB_5000_6300IP30_E6.2W_5000A
		Emax E6.2	6300		863864 863862 863863			SM_MB_6300IP30_E6.2W_6300A

COLONNE ARRIVO E CONGIUNTORE - MC

Corrente nominale omnibus [A]	Grado di protezione IP	Kit interruttore tipo "A e C"	Rating interruttore	Tavole di riferimento $I_{cw} \leq 36$ [kA]	Tavole di riferimento $I_{cw} > 36$ [kA]	Sistema di ancoraggio $I_{cw} \leq 36$ [kA]	Sistema di ancoraggio $I_{cw} > 36$ [kA]	Nome File online
1000	IP30	Tmax T7/Emax E1.2	1000	863855 863856 863895 863896	863855 863857 863896 863897	863876	863877	MC_MB_1250_1000IP30_T7E1.2W_1250A
1250	IP30	Tmax T7/Emax E1.2	1250	863855 863856 863895 863896	863855 863857 863896 863897	863876	863877	MC_MB_1250_1000IP30_T7E1.2W_1250A
1600	IP30	Tmax T7/Emax E1.2	1600	863839 863840 863849 863850	863839 863841 863849 863851	863876	863877	MC_MB_1600IP30_1600IP40_T7E1.2W_1600A
	IP40		1600	863839 863840 863849 863850	863839 863841 863849 863851	863876	863877	MC_MB_1600IP30_1600IP40_T7E1.2W_1600A
2000	IP30	Emax E2.2	2000	863852 863853	863852 863854	863876	863877	MC_MB_2000IP30_2000IP40_E2.2W_2000A
	IP40		2000	863852 863853	863852 863854	863876	863877	MC_MB_2000IP30_2000IP40_E2.2W_2000A
2500	IP30	Emax E2.2	2500	863836 863838	863836 863837	863876	863877	MC_MB_2500IP30_2500IP40_E2.2W_2500A
	IP40		2500	863836 863838	863836 863837	863876	863877	MC_MB_2500IP30_2500IP40_E2.2W_2500A
3200	IP30	Emax E4.2	3200		863829 863830		863877	MC_MB_3200IP30_E4.2W_3200A
	IP40		3200		863825 863827		863877	MC_MB_3200IP40_E4.2W_3200A
4000	IP30	Emax E4.2	4000		863821 863823		863877	MC_MB_4000IP30_E4.2W_4000A
	IP40		4000		863822 863824		863877	MC_MB_4000IP40_E4.2W_4000A
5000	IP30	Emax E4.2	3200		863922 863865			SM_MB_5000IP30_E4.2W_3200UpTo4000A
		Emax E4.2	4000		863920 863924			SM_MB_5000IP30_E4.2W_3200UpTo4000A
		Emax E6.2	5000		863861 863860 863867			SM_MB_5000_6300IP30_E6.2W_5000A
6300	IP30	Emax E4.2	3200		863923 863866			SM_MB_6300IP30_E4.2W_3200UpTo4000A
		Emax E4.2	4000		863921 863919			SM_MB_6300IP30_E4.2W_3200UpTo4000A
		Emax E6.2	5000		863861 863860 863867			SM_MB_5000_6300IP30_E6.2W_5000A
		Emax E6.2	6300		863864 863862 863863			SM_MB_6300IP30_E6.2W_6300A

ASSEMBLY DRAWING E1.2 1000A/1250A/1600A W $I_{cw} > 36kA$

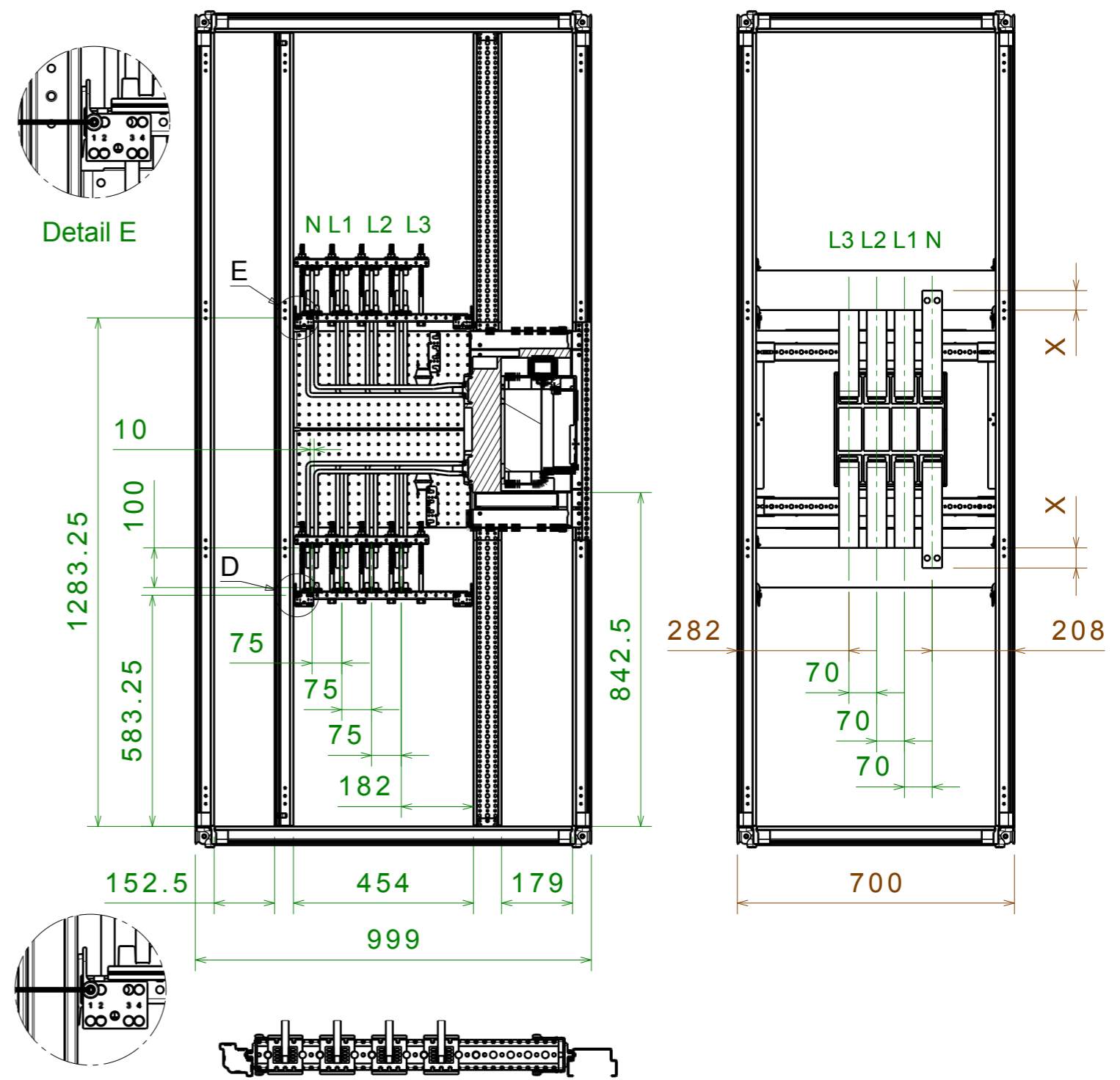


Detail A

H MAIN BUSBARS				
	40	50	80	100
X	40	50	50	50

CONNECTION BUSBAR 2x50x10xP

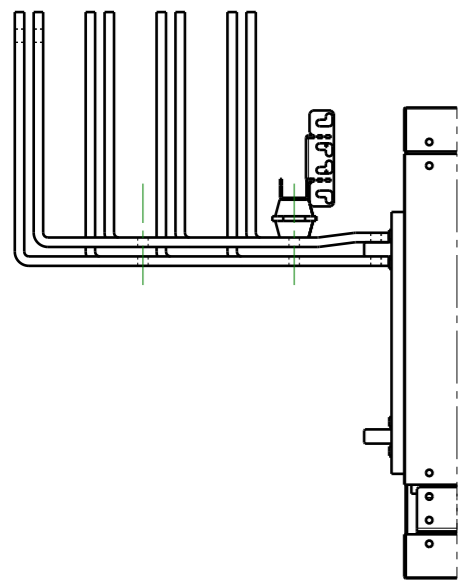
ASSEMBLY DRAWING E1.2 1000A/1250A/1600A W $I_{cw} \leq 36kA$



Detail D

AGG. DI SEGNO	SCALA SCALE : 1:14	N° PROGETTO : PROJECT XXX.XX
MODIFICA	DISEGNATORE DESIGNER :	
DATA	APPROVAZIONE : APPROVAL	ABB ABB SACE ADB DENOMINAZIONE/NAME: E1.2 1000A/1250A/1600A W CONNECTION BUSBARS 2x50x10xP
	DATA DATE : xx-xx-xx Formato A3 Formed	

Questo disegno e' di esclusiva proprieta' di ABB SACE ADB. Ne e' vietata la riproduzione e termini di legge



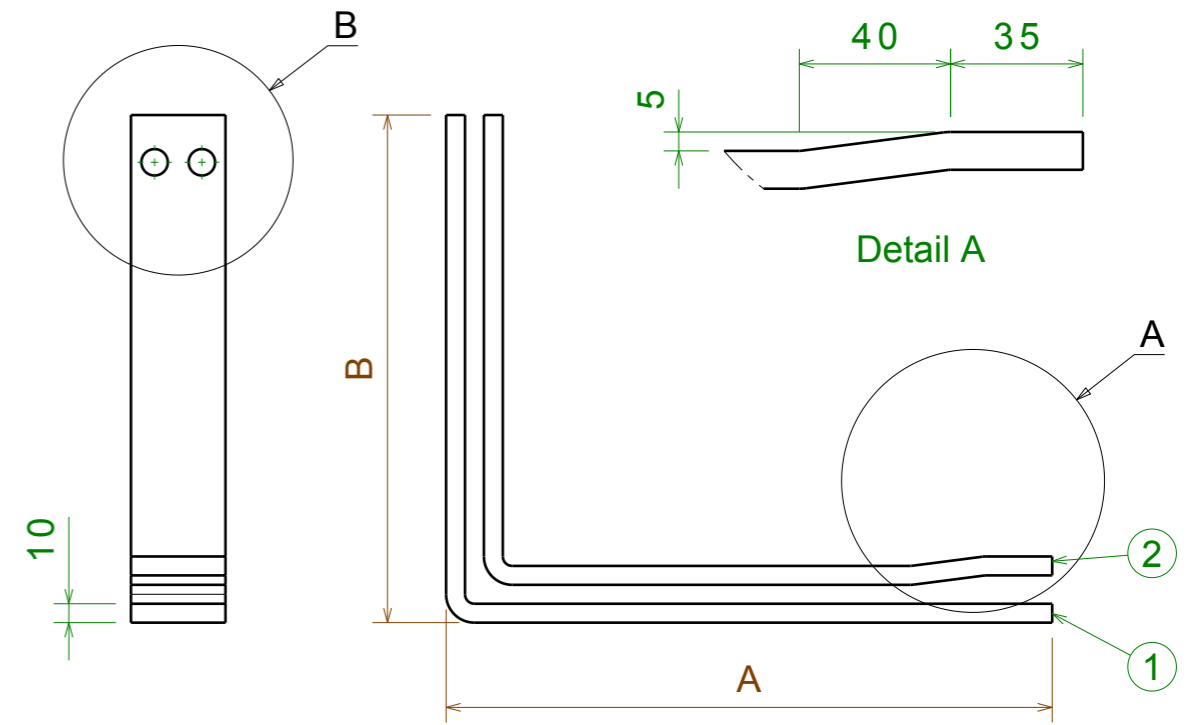
MAIN BUSBARS UP

	B			
	H MAIN BUSBARS			
	40	50	80	100
L3.1	258.5	268.5	268.5	268.5
L3.2	238.5	248.5	248.5	248.5
L2.1	258.5	268.5	268.5	268.5
L2.2	238.5	248.5	248.5	248.5
L1.1	258.5	268.5	268.5	268.5
L1.2	238.5	248.5	248.5	248.5
N.1	258.5	268.5	268.5	268.5
N.2	238.5	248.5	248.5	248.5

CONNECTIONS FOR E1.2 WITHDRAWABLE 1000A/1250A/1600A I_{cw} ≤ 36KW

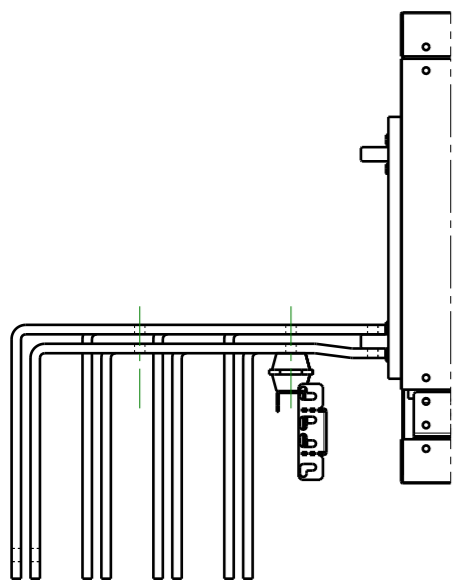
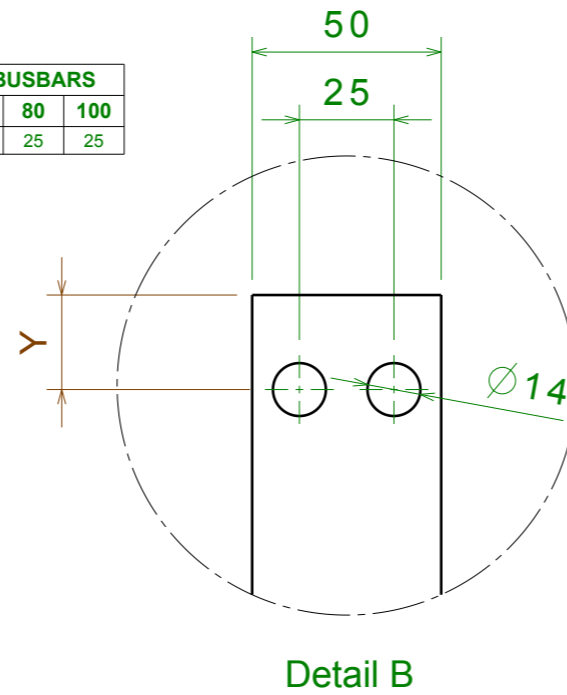
SPEP P = 700mm
 BUSBARS HOLDER PBHB1125 (50mm)

MAIN BUSBAR IP30 / IP31 : 1000A (1x40x10); 1250A (1x50x10); 1600A (1x80x10)
 MAIN BUSBAR IP40 / IP41 / IP65 : 1600A (1x100x10)



PHASE	POS		A	C
L3	1	L3.1	170.6	-
	2	L3.2	150.6	-
L2	1	L2.1	245.6	-
	2	L2.2	225.6	-
L1	1	L1.1	320.6	260
	2	L1.2	300.6	260
N	1	N.1	395.6	260
	2	N.2	375.6	260

Y	H MAIN BUSBARS			
	40	50	80	100
	20	25	25	25

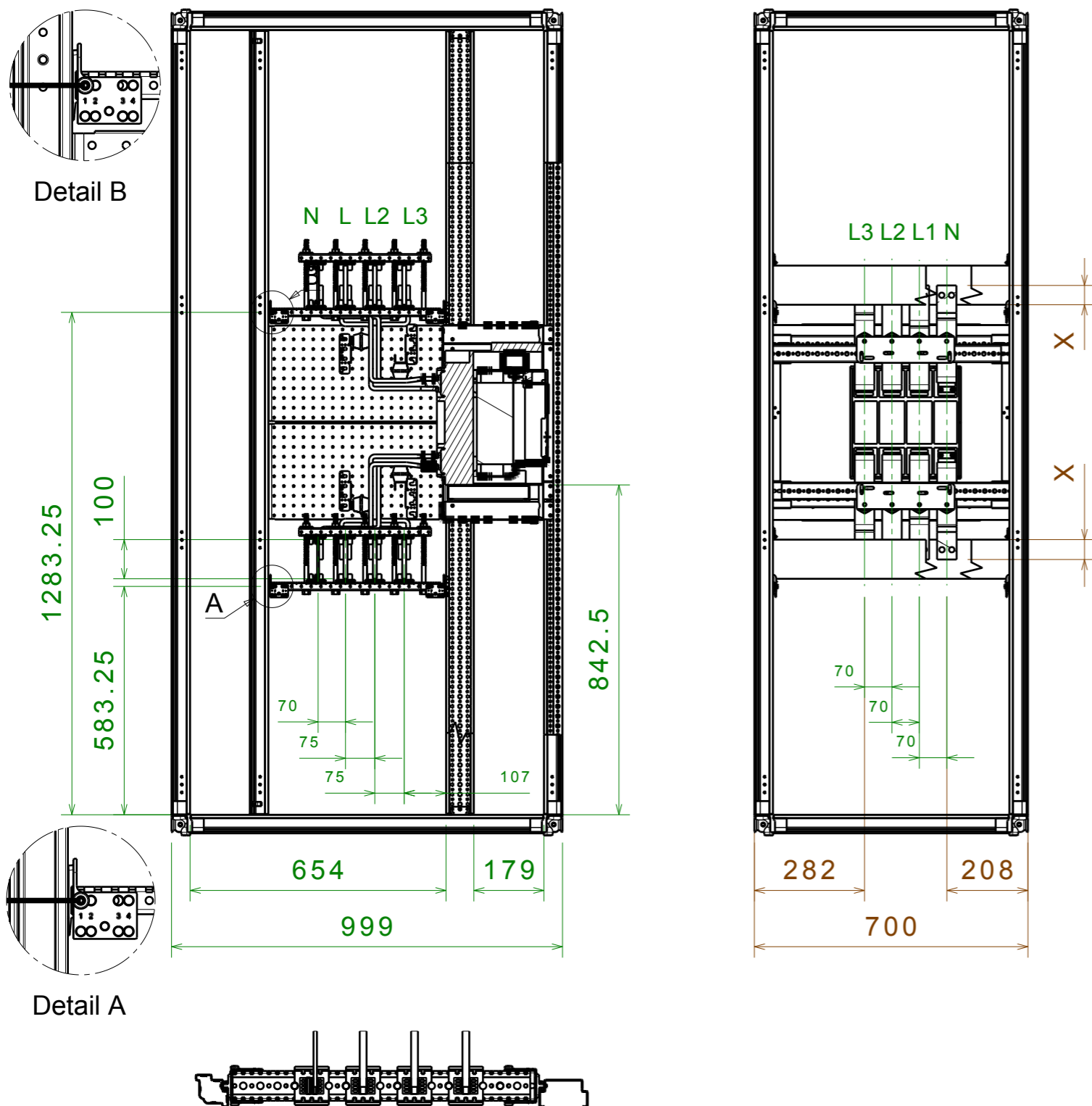


MAIN BUSBARS DOWN

	B			
	H MAIN BUSBARS			
	40	50	80	100
L3.1	318.5	318.5	288.5	268.5
L3.2	298.5	298.5	268.5	248.5
L2.1	318.5	318.5	288.5	268.5
L2.2	298.5	298.5	268.5	248.5
L1.1	318.5	318.5	288.5	268.5
L1.2	298.5	298.5	268.5	248.5
N.1	318.5	318.5	288.5	268.5
N.2	298.5	298.5	268.5	248.5

SCALA SCALE	: 1:4	N° PROGETTO : PROJECT	XXX.XX
DISEGNATORE DESIGNER	:	ABB SACE ADB	
APPROVAZIONE APPROVAL	:	DISEGNO N° /DRAWING N°	
DATA DATE	: xx-xx-xx	E1.2 1000A/1250A/1600A W CONNECTION BUSBARS 2x50x10xP_L	
FORMATO FORMED	Formato A3 Formed	8 6 3 7 0 7	

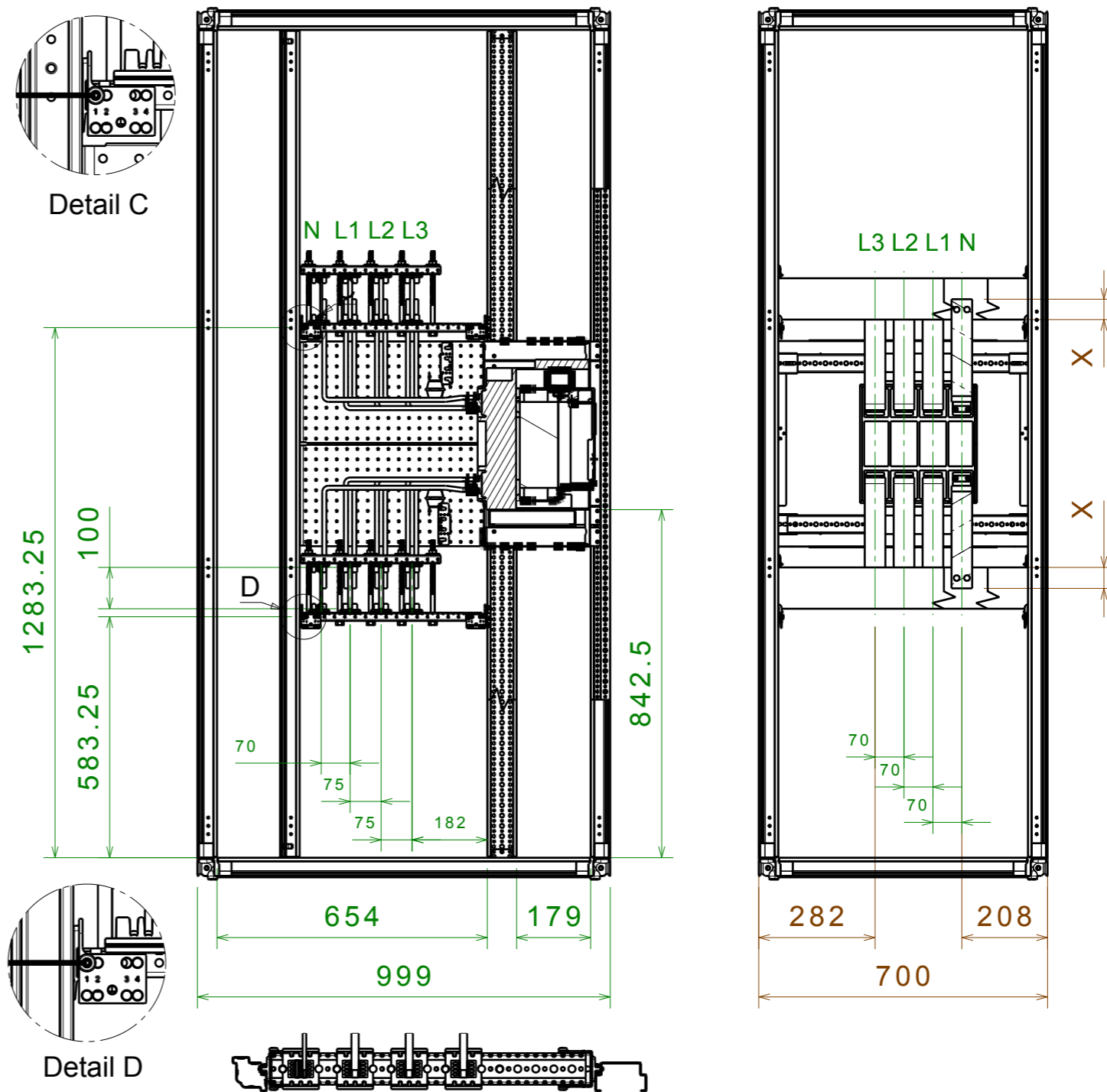
ASSEMBLY DRAWING
E1.2 1000A/1250A/1600A W
(COUPLER COLUMN) $I_{cw} > 36kA$



H MAIN BUSBARS				
	40	50	80	100
X	40	50	50	50

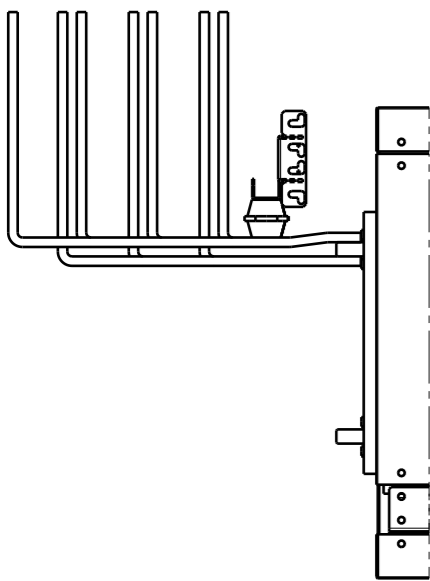
CONNECTION BUSBAR 2x50x10xP + 1x50x10xN

ASSEMBLY DRAWING
E1.2 1000A/1250A/1600A W
(COUPLER COLUMN) $I_{cw} \leq 36kA$



AGG. DISEGNO	SCALA SCALE	: 1:14	N° PROGETTO : PROJECT	XXX.XX
MODIFICA	DISEGNATORE DESIGNER	:	ABB SACE ADB	
DATA	APPROVAZIONE : APPROVAL	:	DISEGNO N° /DRAWING N°	
	DATA DATE	: xx-xx-xx	E1.2 1000A/1250A/1600A W CONNECTION BUSBARS 2x50x10xP + 1x50x10xN	
		Formato A3 Formed	8 6 3 7 1 2	

Questo disegno e' di esclusiva proprieta' di ABB SACE ADB. Ne e' vietata la riproduzione e termini di legge



**MAIN
BUSBARS
UP**

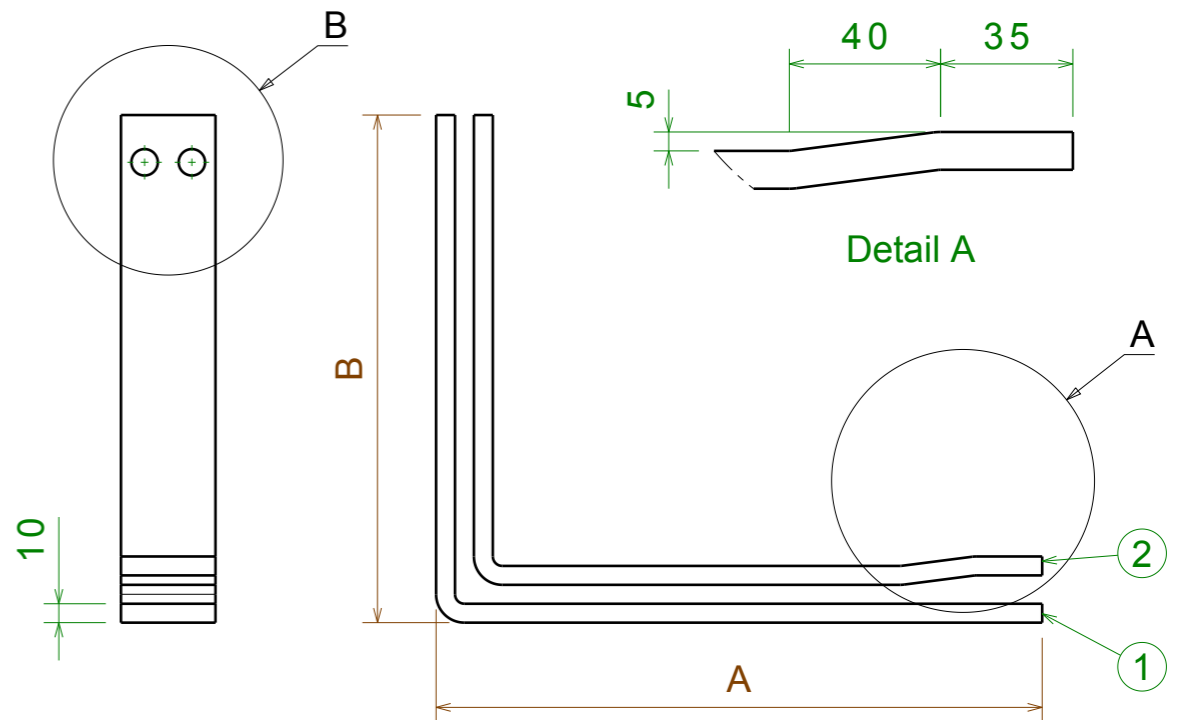
	B			
	H MAIN BUSBARS			
	40	50	80	100
L3.1	258.5	268.5	268.5	268.5
L3.2	238.5	248.5	248.5	248.5
L2.1	258.5	268.5	268.5	268.5
L2.2	238.5	248.5	248.5	248.5
L1.1	258.5	268.5	268.5	268.5
L1.2	238.5	248.5	248.5	248.5
N.1	-	-	-	-
N.2	238.5	248.5	248.5	248.5

CONNECTIONS FOR E1.2 WITHDRAWABLE 1000A/1250A/1600A

I_{cw} ≤ 36KA

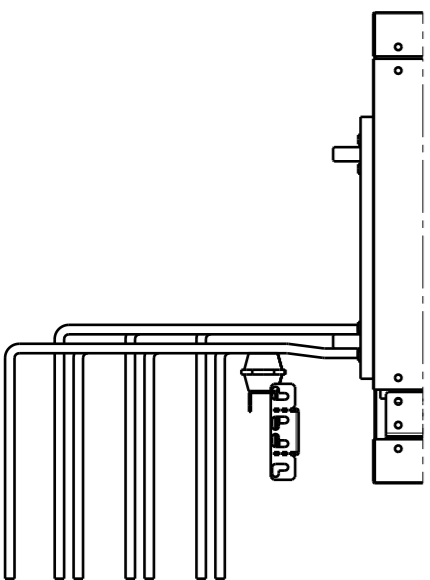
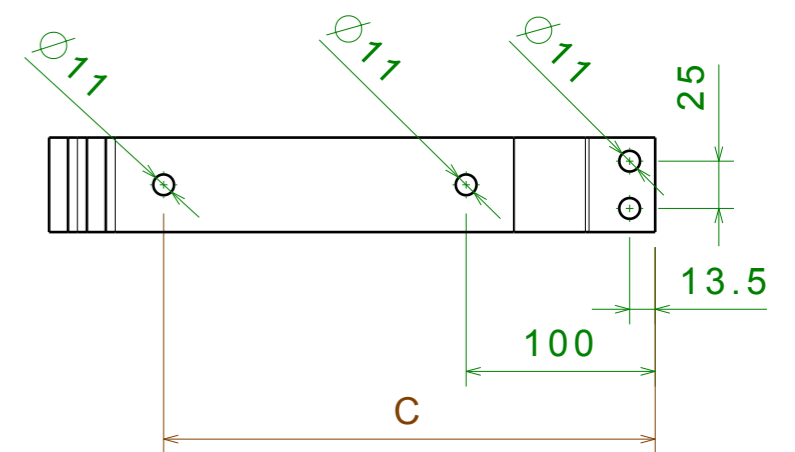
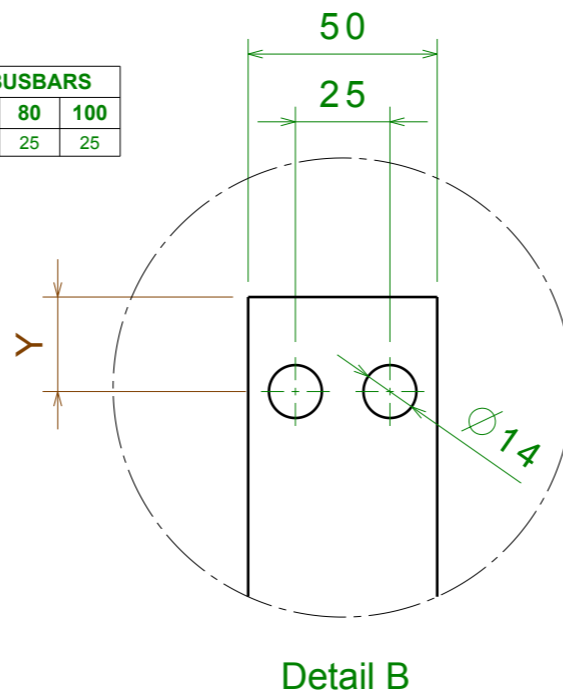
SPEP P = 700mm
BUSBARS HOLDER PBHB1125 (50mm)

MAIN BUSBAR WITH N 50% IP30 / IP31 : 1000A (1x40x10); 1250A (1x50x10); 1600A (1x80x10)
MAIN BUSBAR WITH N 50% IP40 / IP41 / IP65 : 1600A (1x100x10)



PHASE	POS		A	C
L3	1	L3.1	170.6	-
	2	L3.2	150.6	-
L2	1	L2.1	245.6	-
	2	L2.2	225.6	-
L1	1	L1.1	320.6	260
	2	L1.2	300.6	260
N	1	N.1	-	-
	2	N.2	373.1	260

Y	H MAIN BUSBARS			
	40	50	80	100
	20	25	25	25

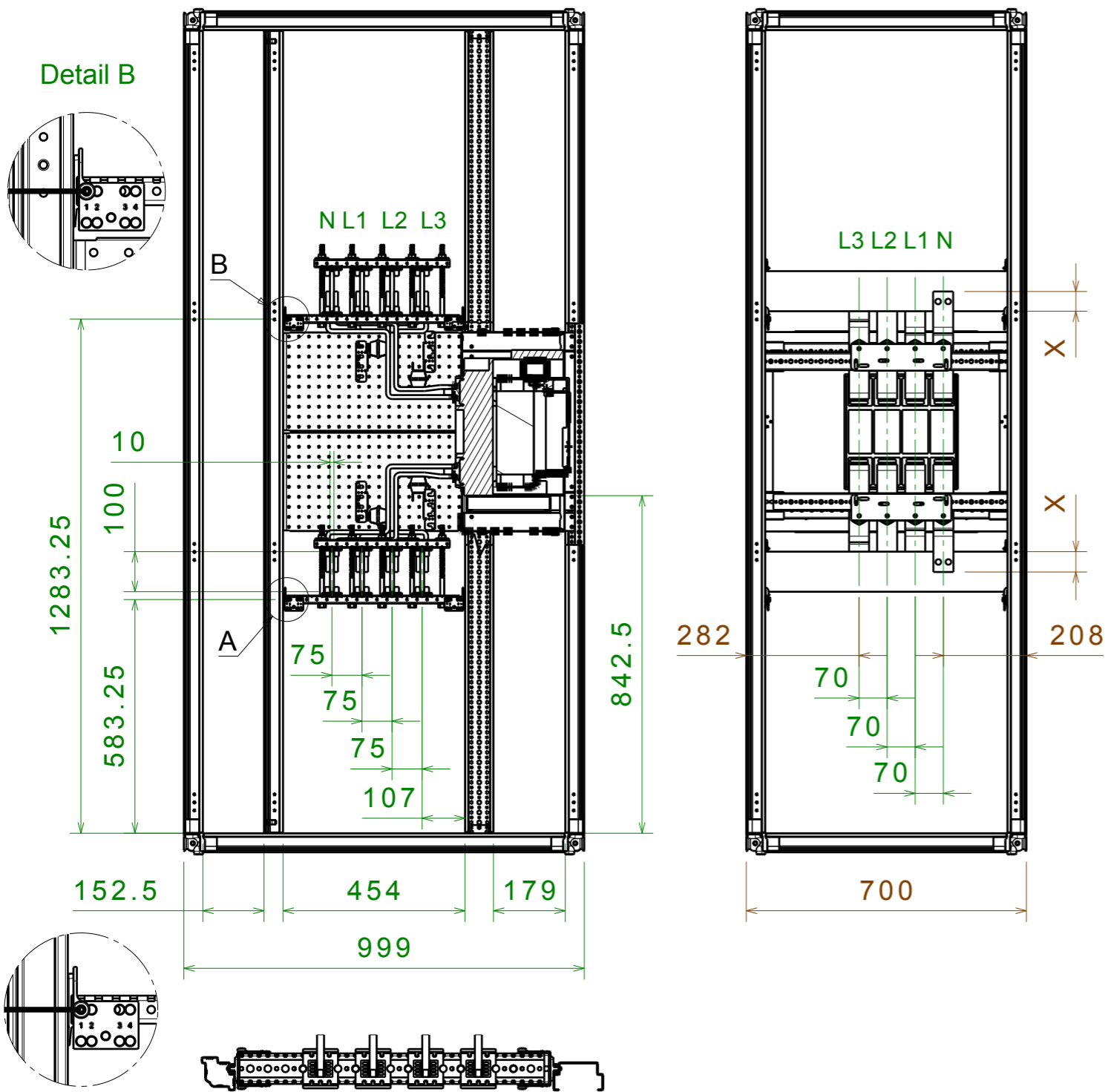


**MAIN
BUSBARS
DOWN**

	B			
	H MAIN BUSBARS			
	40	50	80	100
L3.1	318.5	318.5	288.5	268.5
L3.2	298.5	298.5	268.5	248.5
L2.1	318.5	318.5	288.5	268.5
L2.2	298.5	298.5	268.5	248.5
L1.1	318.5	318.5	288.5	268.5
L1.2	298.5	298.5	268.5	248.5
N.1	-	-	-	-
N.2	298.5	298.5	268.5	248.5

SCALA SCALE	: 1:4	N° PROGETTO : PROJECT	XXX.XX
DISEGNATORE DESIGNER	:	ABB SACE ADB	
APPROVAZIONE APPROVAL	:	DISEGNO N° /DRAWING N°	
DATA DATE	: xx-xx-xx	E1.2 1000A/1250A/1600A W CONNECTION BUSBARS 2x50x10xP + 1x50x10xN	
FORMATO FORMED	Formato A3 Formed	8 6 3 8 1 9	

ASSEMBLY DRAWING E1.2 1000A/1250A/1600A W $I_{cw} > 36kA$

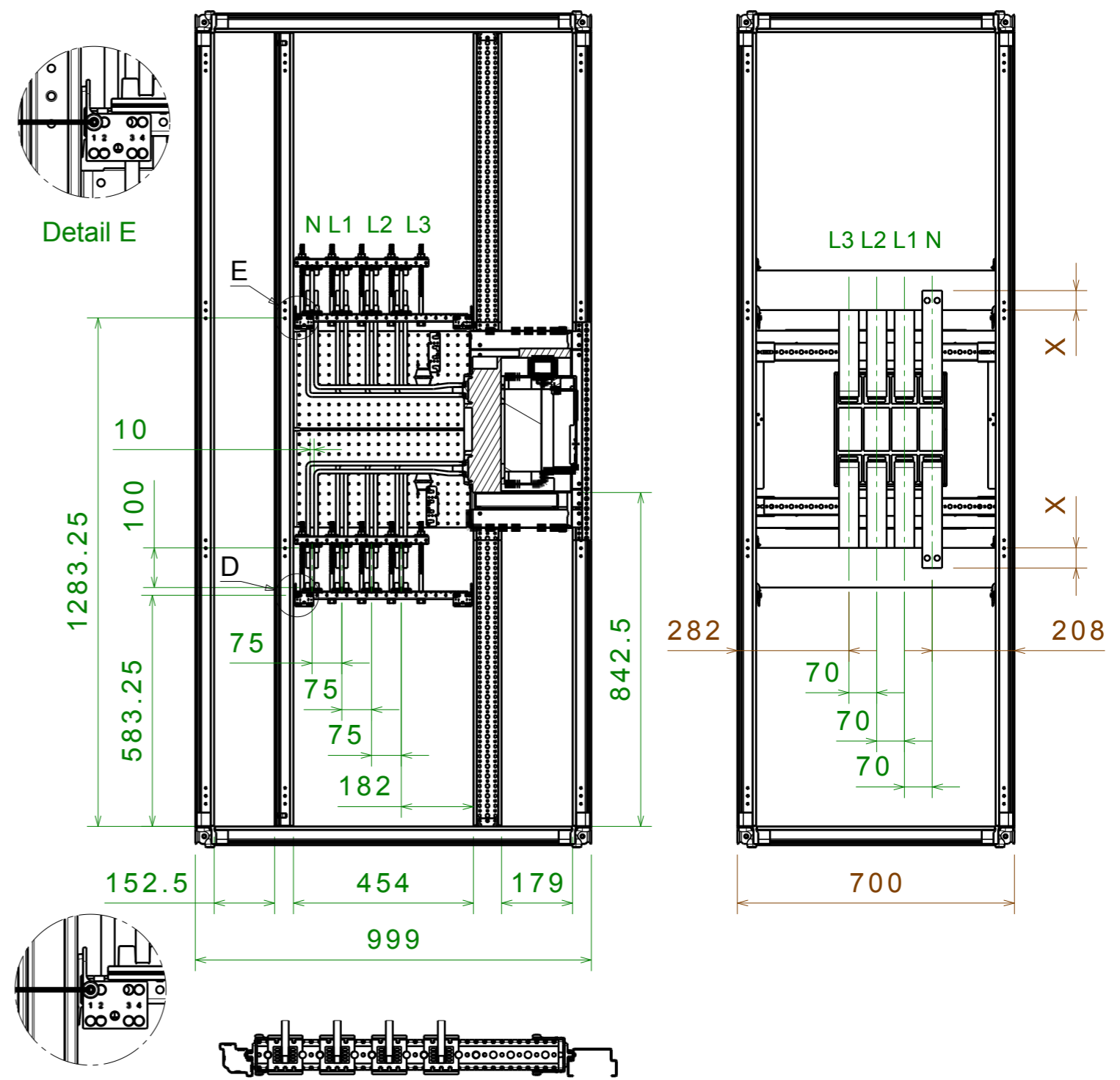


Detail A

H MAIN BUSBARS				
	40	50	80	100
X	40	50	50	50

CONNECTION BUSBAR 2x50x10xP

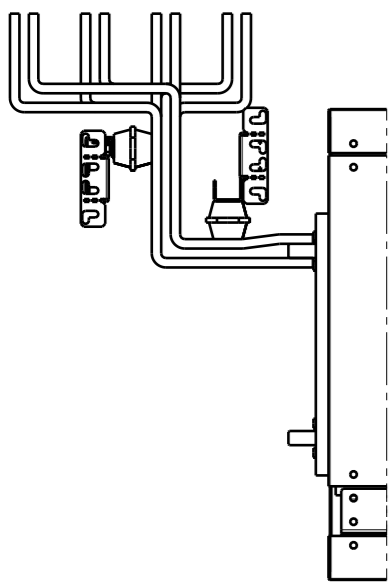
ASSEMBLY DRAWING E1.2 1000A/1250A/1600A W $I_{cw} \leq 36kA$



Detail D

AGG. DI SEGNO	SCALA SCALE : 1:14	N° PROGETTO : PROJECT : XXX.XX
MODIFICA	DISEGNATORE DESIGNER :	
DATA	APPROVAZIONE : APPROVAL	ABB ABB SACE ADB DENOMINAZIONE/NAME: E1.2 1000A/1250A/1600A W CONNECTION BUSBARS 2x50x10xP
	DATA DATE : xx-xx-xx	
	Formato A3 Formed	DISEGNO N° /DRAWING N° 8 6 3 7 0 9

Questo disegno e' di esclusiva proprieta' di ABB SACE ADB. Ne e' vietata la riproduzione e termini di legge



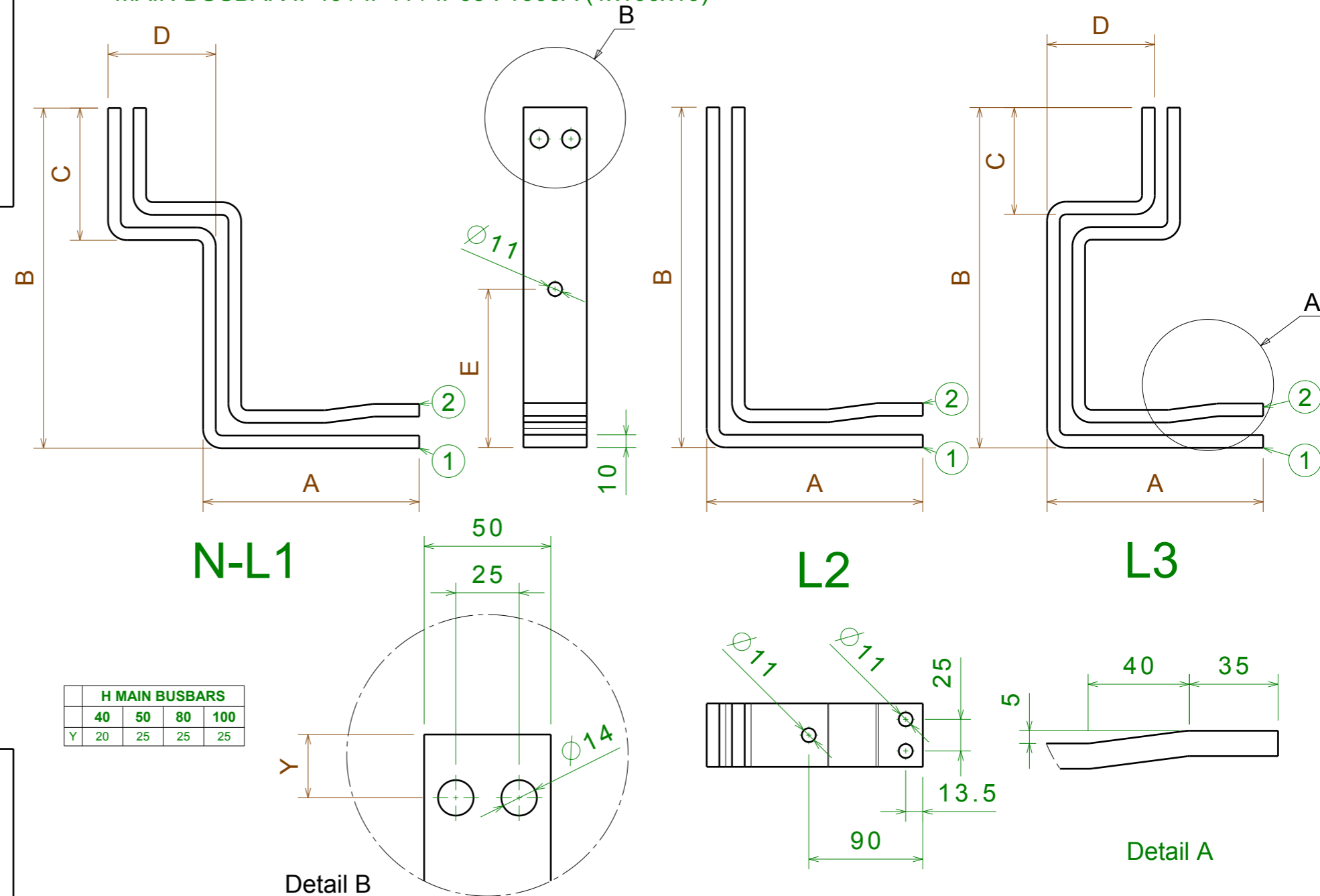
**MAIN
BUSBARS
UP**

	B			
	H MAIN BUSBARS			
	40	50	80	100
L3.1	258.5	268.5	268.5	268.5
L3.2	238.5	248.5	248.5	248.5
L2.1	258.5	268.5	268.5	268.5
L2.2	238.5	248.5	248.5	248.5
L1.1	258.5	268.5	268.5	268.5
L1.2	238.5	248.5	248.5	248.5
N.1	258.5	268.5	268.5	268.5
N.2	238.5	248.5	248.5	248.5

CONNECTIONS FOR E1.2 WITHDRAWABLE 1000A/1250A/1600A I_{cw} > 36KA

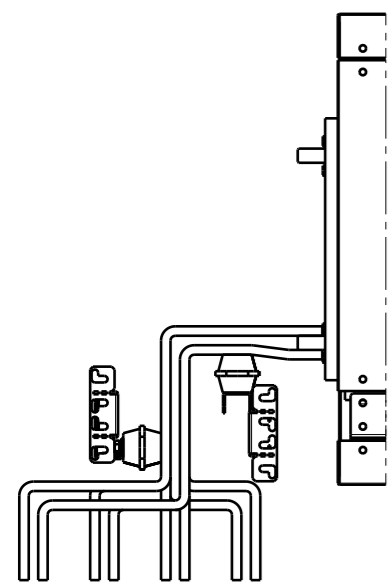
SPEP P = 700mm
BUSBARS HOLDER PBHB1125 (50mm)

MAIN BUSBAR IP30 / IP31 : 1000A (1x40x10); 1250A (1x50x10); 1600A (1x80x10)
MAIN BUSBAR IP40 / IP41 / IP65 : 1600A (1x100x10)



PHASE	POS	A	C	D	E	
L3	1	L3.1	170.6	84.25	85	125
	2	L3.2	150.6	104.25	85	105
L2	1	L2.1	170.6	-	-	125
	2	L2.2	150.6	-	-	105
L1	1	L1.1	170.6	104.25	85	125
	2	L1.2	150.6	84.25	85	105
N	1	N.1	170.6	104.25	160	125
	2	N.2	150.6	84.25	160	105

H MAIN BUSBARS				
	40	50	80	100
Y	20	25	25	25

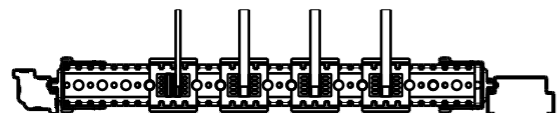
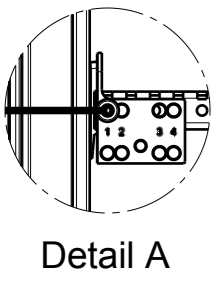
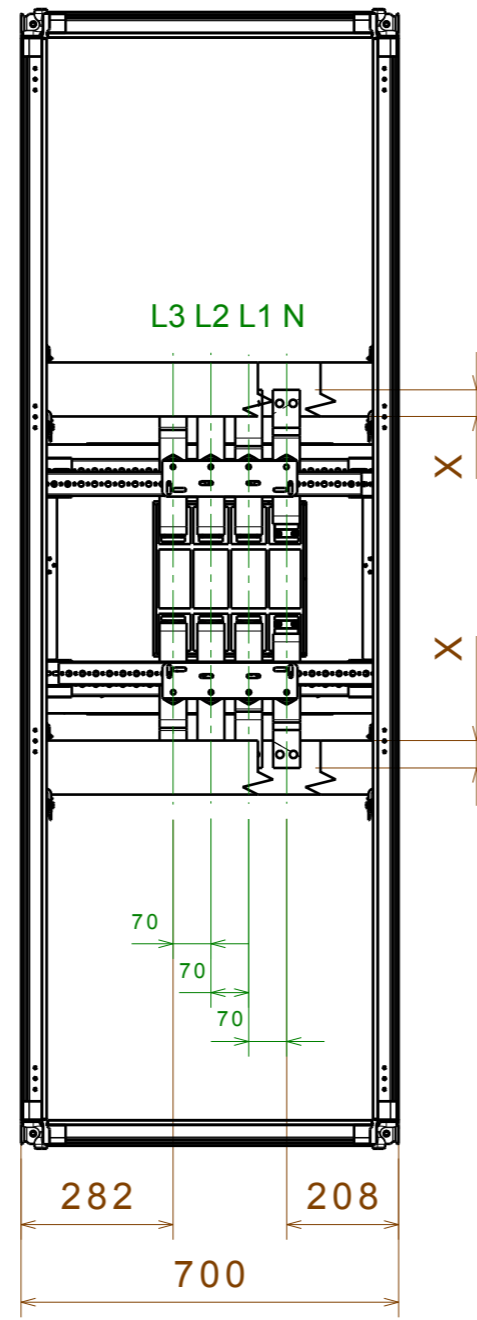
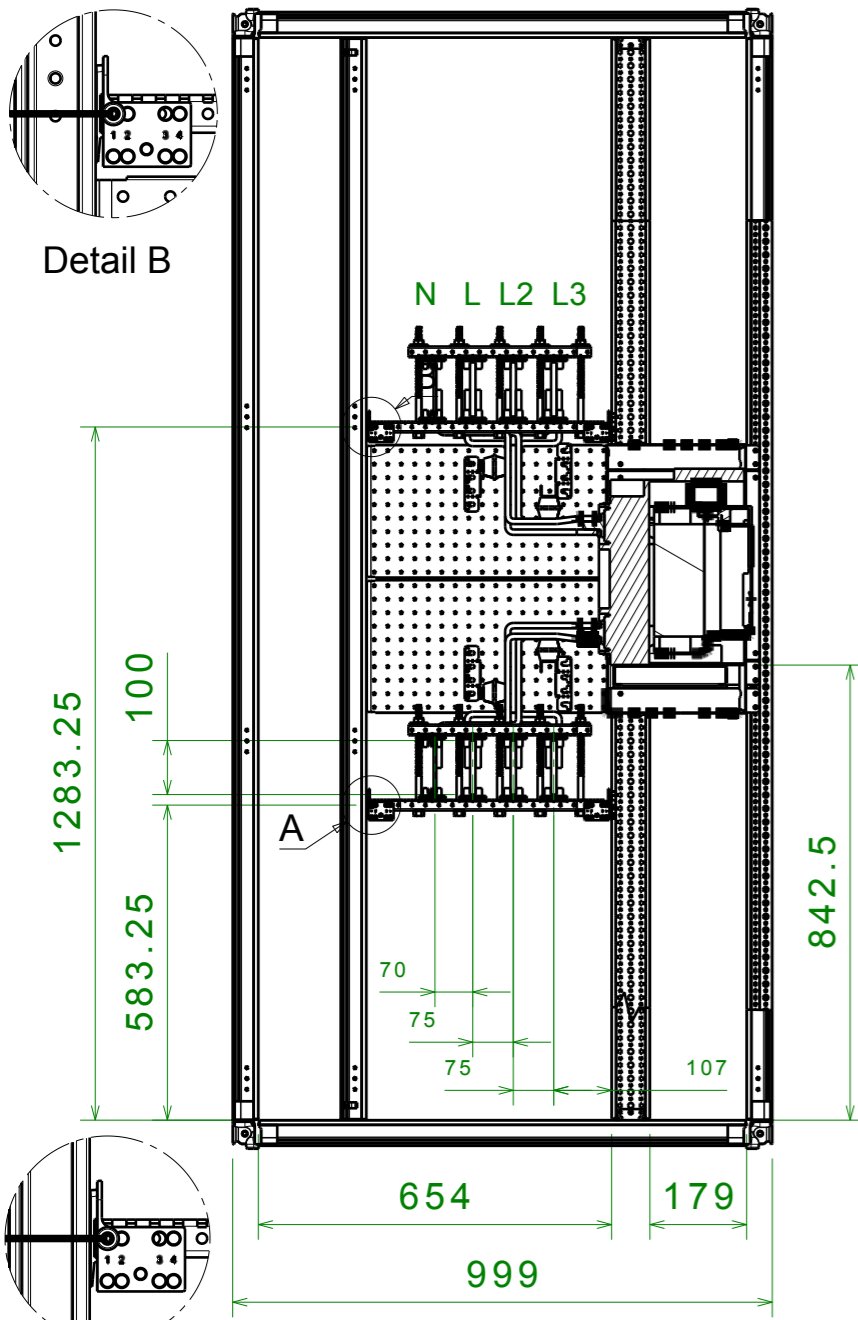


**MAIN
BUSBARS
DOWN**

	B			
	H MAIN BUSBARS			
	40	50	80	100
L3.1	318.5	318.5	288.5	268.5
L3.2	298.5	298.5	268.5	248.5
L2.1	318.5	318.5	288.5	268.5
L2.2	298.5	298.5	268.5	248.5
L1.1	318.5	318.5	288.5	268.5
L1.2	298.5	298.5	268.5	248.5
N.1	318.5	318.5	288.5	268.5
N.2	298.5	298.5	268.5	248.5

SCALA SCALE	: 1:8	N° PROGETTO : PROJECT	XXX.XX
DISEGNATORE DESIGNER	:	ABB SACE ADB	
APPROVAZIONE APPROVAL	:	ABB SACE ADB	
DATA DATE	: xx-xx-xx	DISEGNO N° /DRAWING N°	
FORMATO FORMED	Formato A3 Formed	E1.2 1000A/1250A/1600A W CONNECTION BUSBARS 2x50x10xP	
		8 6 3 7 0 8	

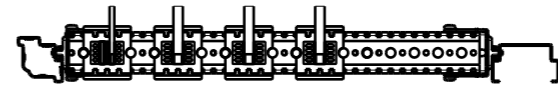
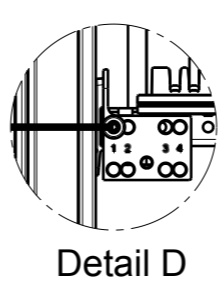
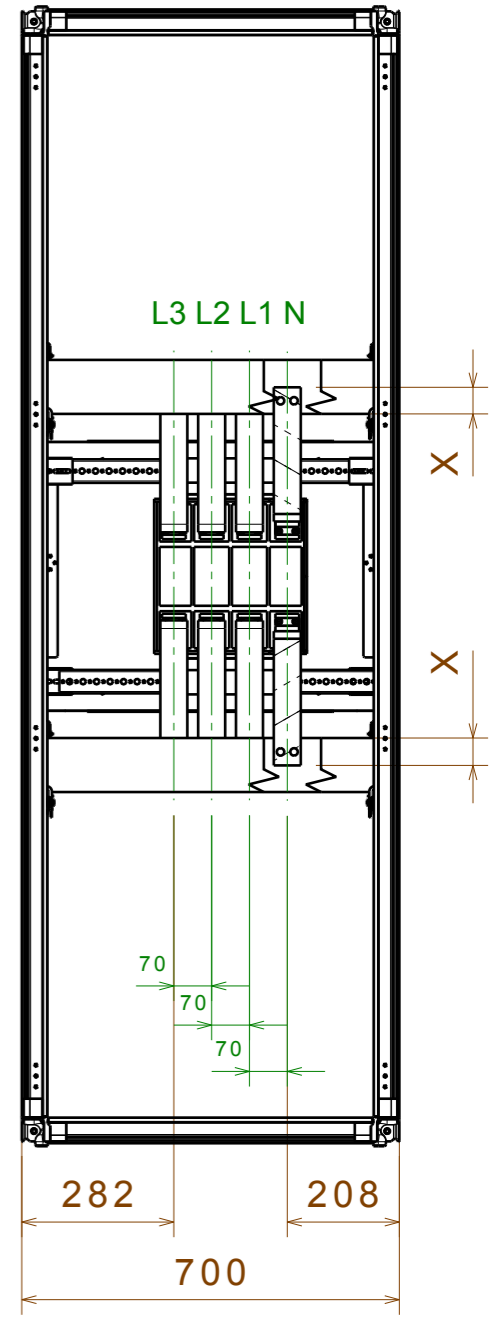
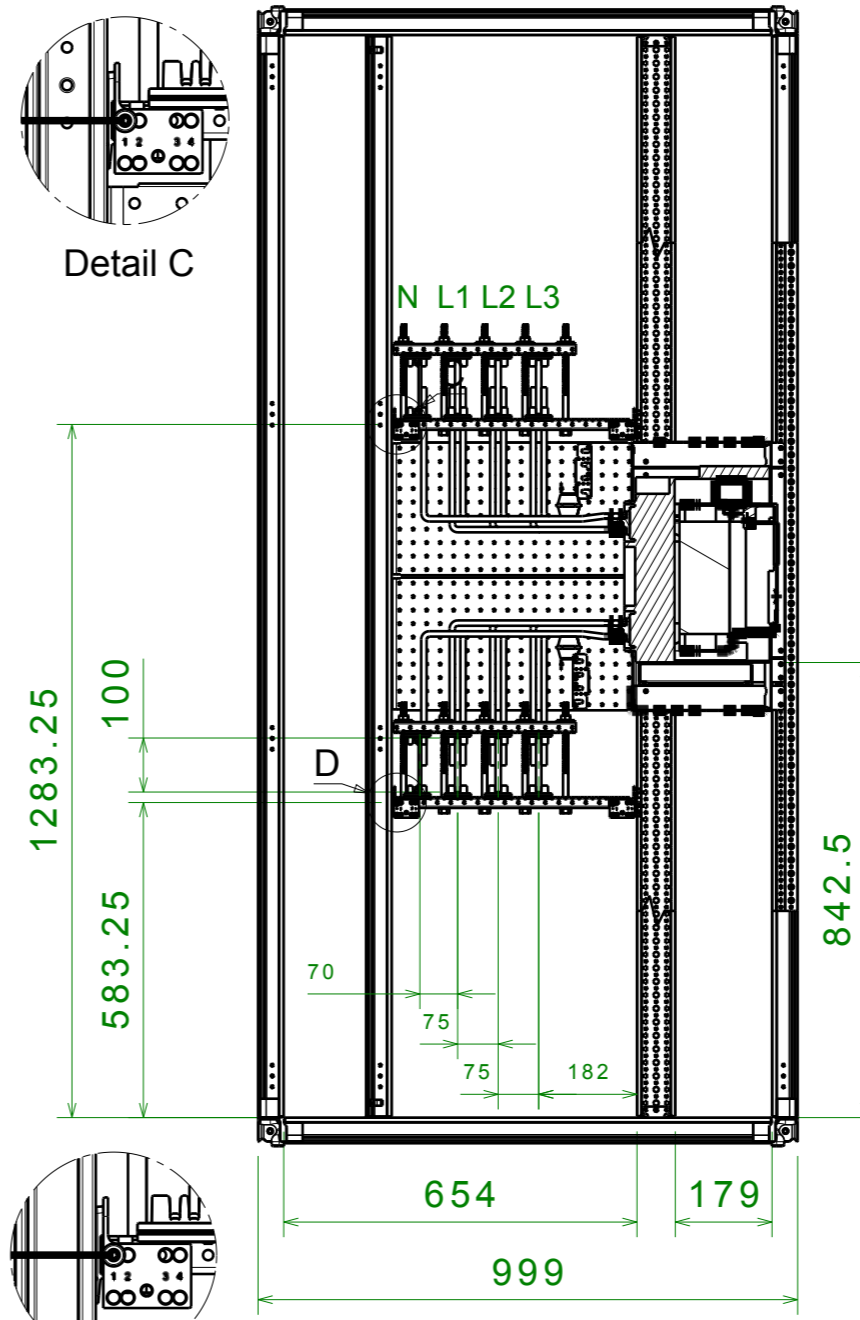
ASSEMBLY DRAWING
E1.2 1000A/1250A/1600A W
(COUPLER COLUMN) $I_{cw} > 36kA$



H MAIN BUSBARS				
	40	50	80	100
X	40	50	50	50

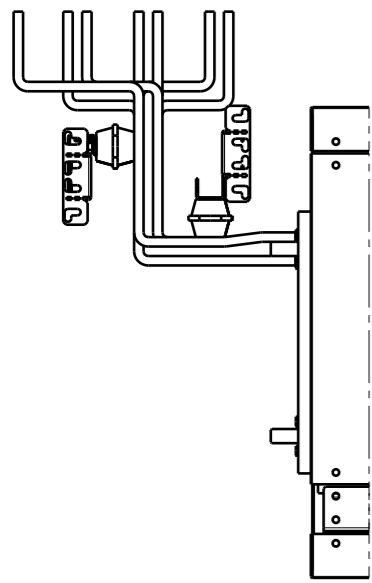
CONNECTION BUSBAR 2x50x10xP + 1x50x10xN

ASSEMBLY DRAWING
E1.2 1000A/1250A/1600A W
(COUPLER COLUMN) $I_{cw} \leq 36kA$



AGG. DI SEGNO	SCALA SCALE : 1:14	N° PROGETTO : PROJECT XXX.XX
MODIFICA	DISEGNATORE DESIGNER :	
DATA	APPROVAZIONE : APPROVAL	ABB ABB SACE ADB DENOMINAZIONE/NAME: E1.2 1000A/1250A/1600A W CONNECTION BUSBARS 2x50x10xP + 1x50x10xN
	DATA DATE : xx-xx-xx Formato A3 Formed	

Questo disegno e' di esclusiva proprieta' di ABB SACE ADB. Ne e' vietata la riproduzione e termini di legge



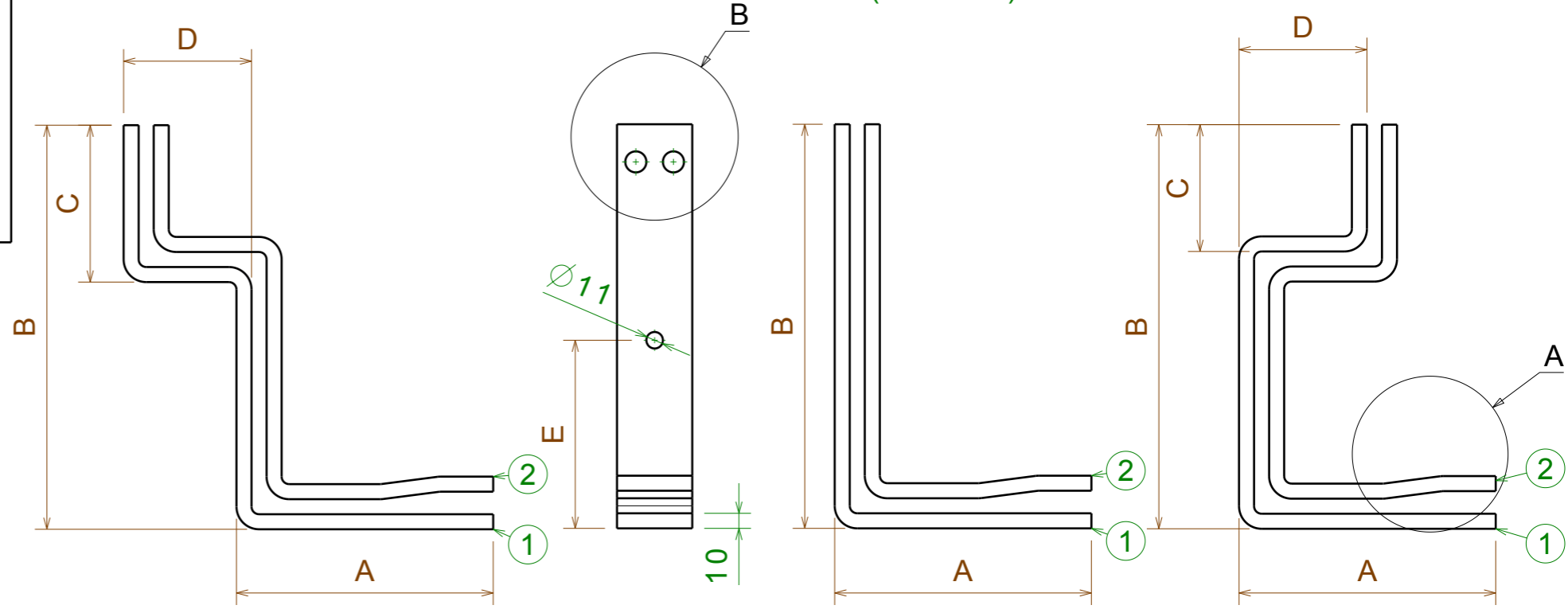
MAIN BUSBARS UP

	B			
	H MAIN BUSBARS			
	40	50	80	100
L3.1	258.5	268.5	268.5	268.5
L3.2	238.5	248.5	248.5	248.5
L2.1	258.5	268.5	268.5	268.5
L2.2	238.5	248.5	248.5	248.5
L1.1	258.5	268.5	268.5	268.5
L1.2	238.5	248.5	248.5	248.5
N.1	-	-	-	-
N.2	238.5	248.5	248.5	248.5

CONNECTIONS FOR E1.2 WITHDRAWABLE 1000A/1250A/1600A I_{cw} > 36KA

SPEP P = 700mm
 BUSBARS HOLDER PBHB1125 (50mm)

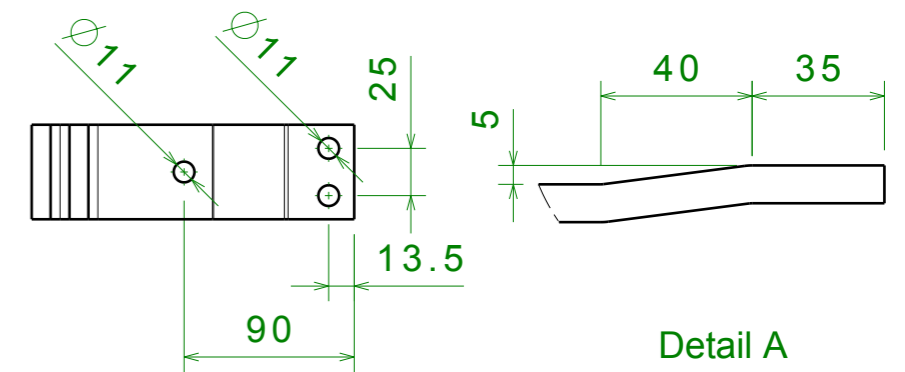
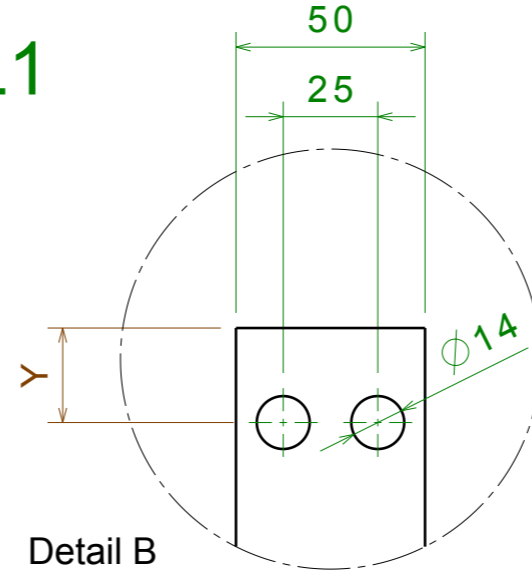
MAIN BUSBAR WITH N 50% IP30 / IP31 : 1000A (1x40x10); 1250A (1x50x10); 1600A (1x80x10)
 MAIN BUSBAR WITH N 50% IP40 / IP41 / IP65 : 1600A (1x100x10)



N-L1

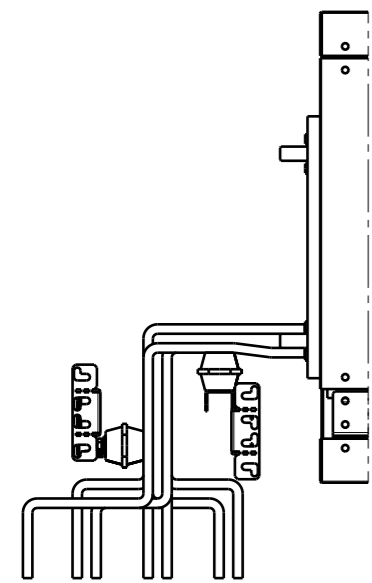
L2

L3



PHASE	POS	A	C	D	E	
L3	1	L3.1	170.6	84.25	85	125
	2	L3.2	150.6	104.25	85	105
L2	1	L2.1	170.6	-	-	125
	2	L2.2	150.6	-	-	105
L1	1	L1.1	170.6	104.25	85	125
	2	L1.2	150.6	84.25	85	105
N	1	N.1	-	-	-	-
	2	N.2	170.6	84.25	137.5	105

H MAIN BUSBARS				
	40	50	80	100
Y	20	25	25	25



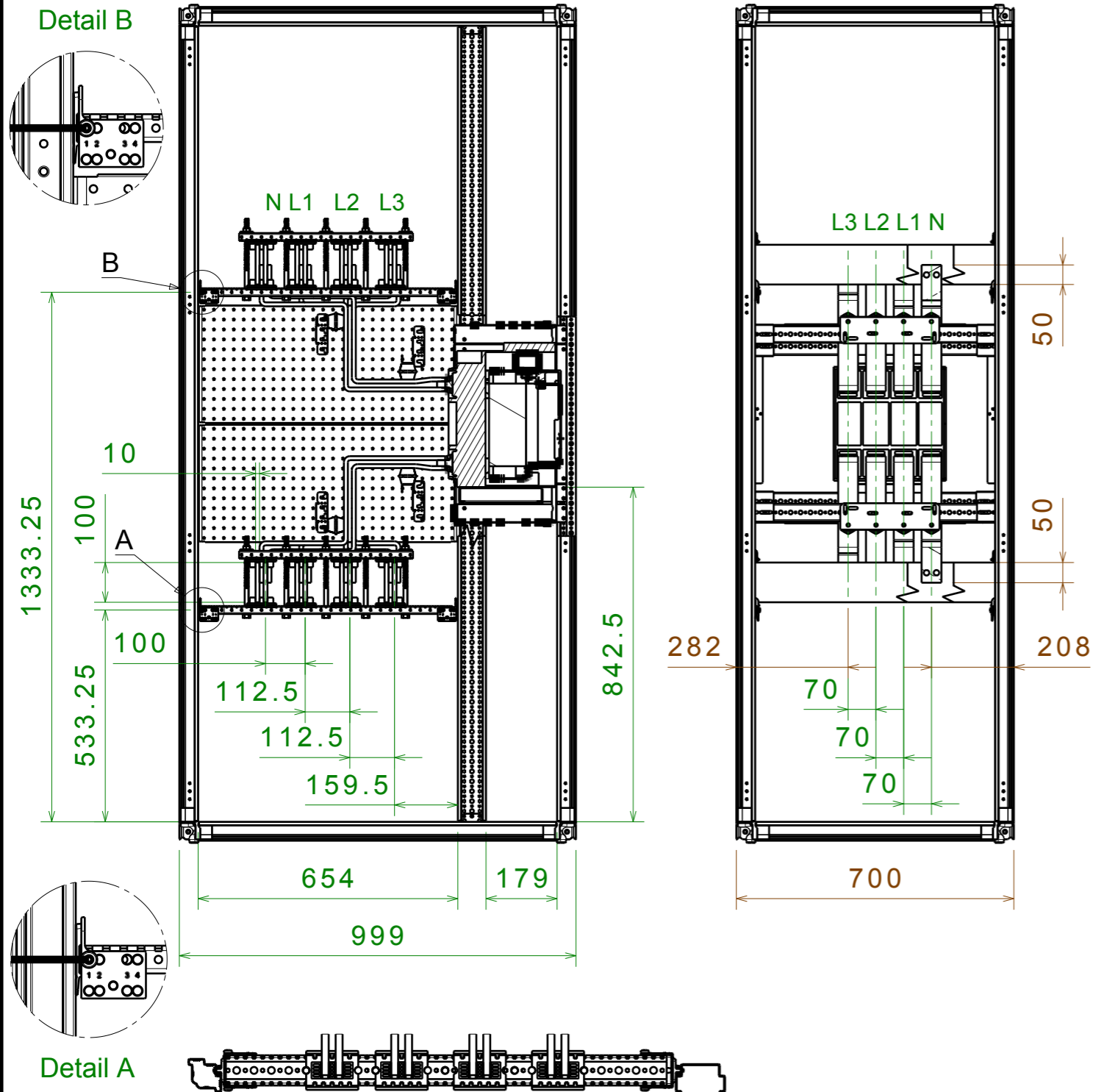
MAIN BUSBARS DOWN

	B			
	H MAIN BUSBARS			
	40	50	80	100
L3.1	318.5	318.5	288.5	268.5
L3.2	298.5	298.5	268.5	248.5
L2.1	318.5	318.5	288.5	268.5
L2.2	298.5	298.5	268.5	248.5
L1.1	318.5	318.5	288.5	268.5
L1.2	298.5	298.5	268.5	248.5
N.1	-	-	-	-
N.2	298.5	298.5	268.5	248.5

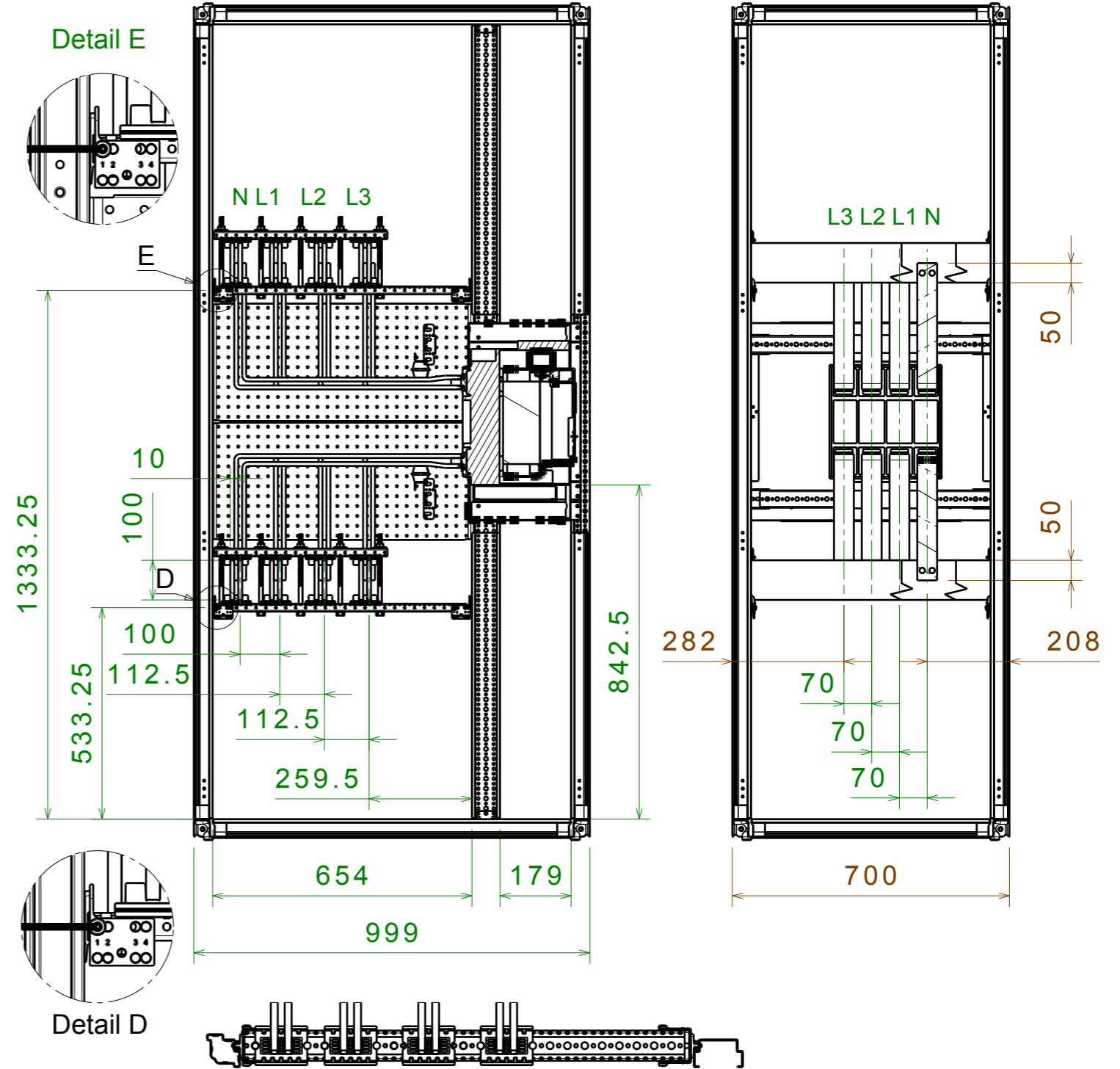
SCALA SCALE	: 1:8	N° PROGETTO / PROJECT	XXX.XX
DISEGNATORE / DESIGNER	:	ABB SACE ADB	
APPROVAZIONE / APPROVAL	:	DISEGNO N° / DRAWING N°	
DATA DATE	: xx-xx-xx	E1.2 1000A/1250A/1600A W CONNECTION BUSBARS	
FORMATO	Formato A3 Formed	2x50x10xP + 1x50x10xN	
8 6 3 8 2 0			

Questo disegno e' di esclusiva proprieta' di ABB SACE ADB. Ne e' vietata la riproduzione e termini di legge

ASSEMBLY DRAWING E1.2 1000A/1250A/1600A W I_{cw} > 36kA



ASSEMBLY DRAWING E1.2 1000A/1250A/1600A W I_{cw} ≤ 36kA



CONNECTION BUSBAR 2x50x10xP

AGG. DI SEGNO	SCALA SCALE : 1:14	N° PROGETTO : PROJECT XXX.XX
DISEGNATORE DESIGNER		
MODIFICA	APPROVAZIONE : APPROVAL	ABB ABB SACE ADB DENOMINAZIONE/NAME: E1.2 1000A/1250A/1600A W CONNECTION BUSBARS 2x50x10xP
DATA	DATA DATE : xx-xx-xx	
	Formato A3 Formed	DISEGNO N° /DRAWING N° 8 6 3 7 1 5

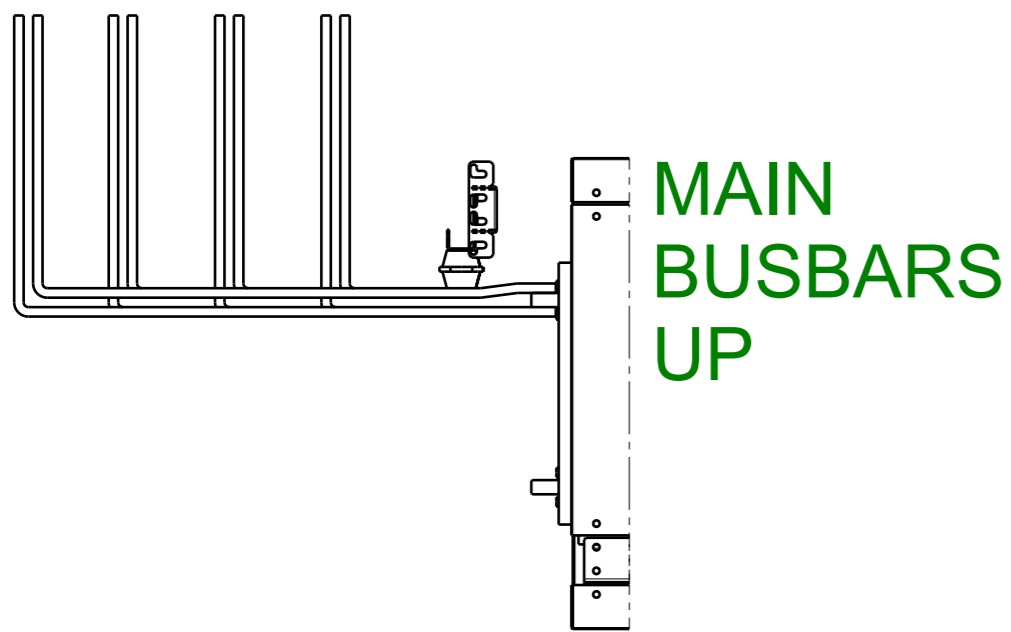
CONNECTIONS FOR E1.2 WITHDRAWABLE 1000A/1250A/1600A Icw ≤ 36KA

SPEP P = 900mm

BUSBARS HOLDER PBHB2145 (75mm)

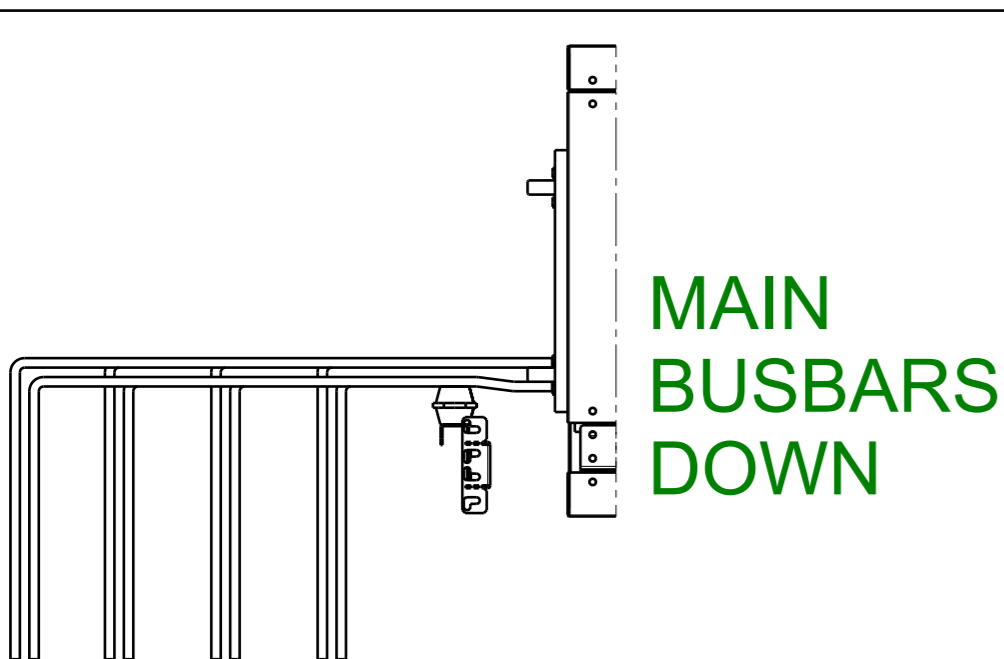
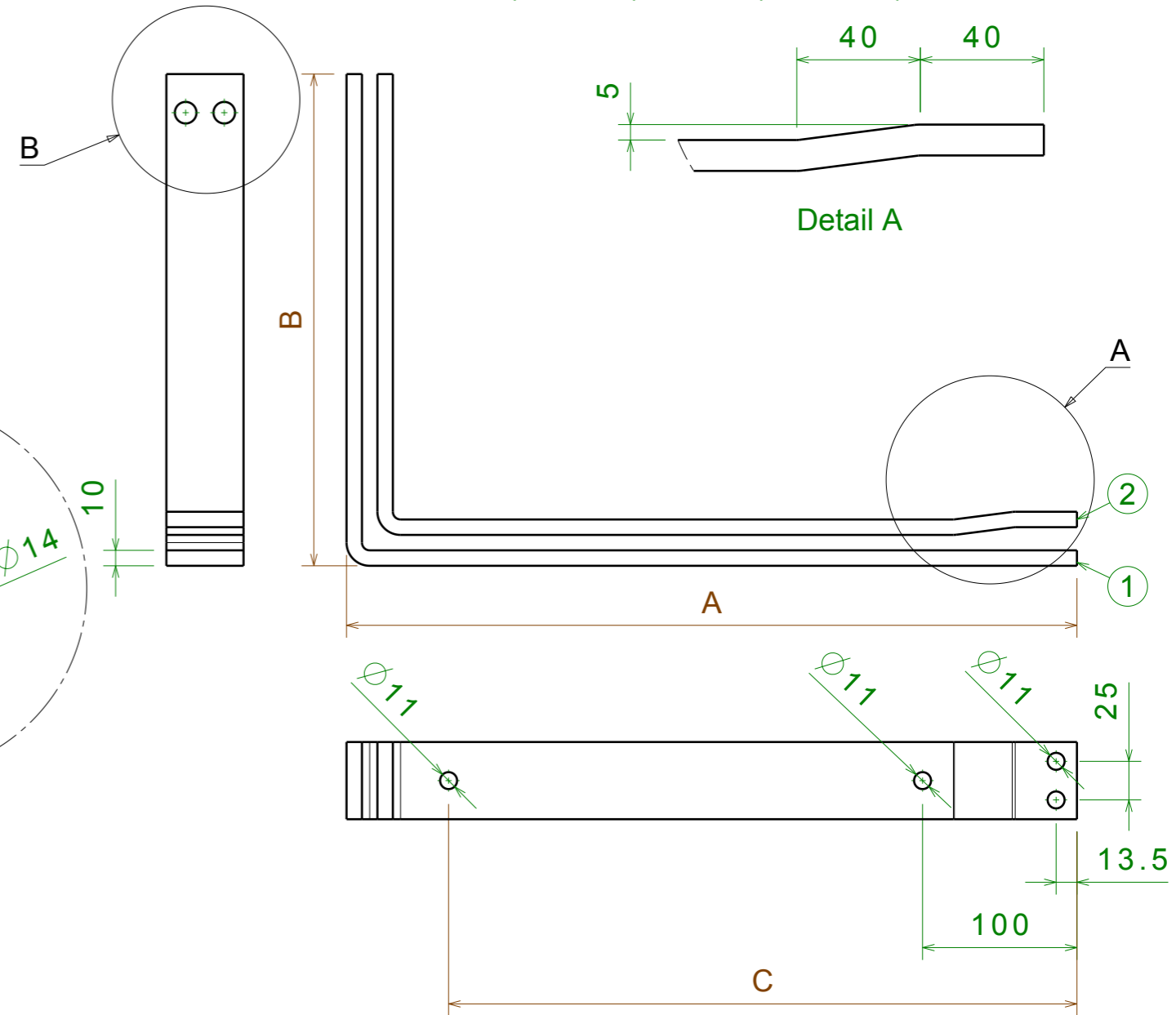
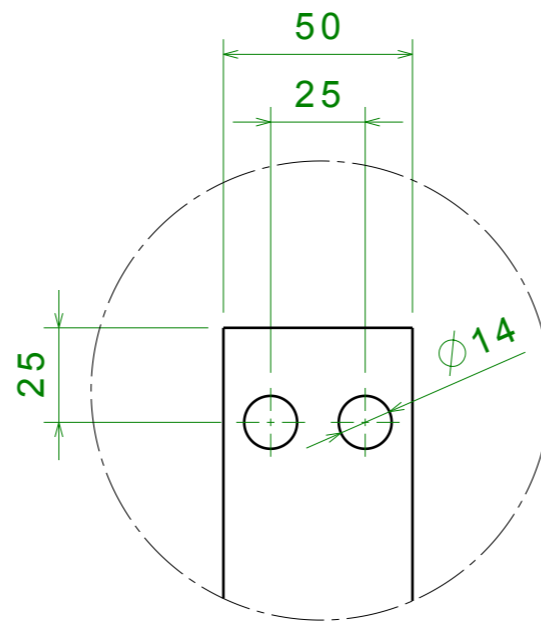
MAIN BUSBAR IP30 / IP31 : 2000A (2x50x10); 2500A (2x80x10); 3200A (2x100x10)

MAIN BUSBAR IP40 / IP41 / IP65 : 2000A (2x60x10); 2500A (2x100x10);



	B			
	H MAIN BUSBARS			
	50	60	80	100
L3.1	318.5	318.5	318.5	318.5
L3.2	298.5	298.5	298.5	298.5
L2.1	318.5	318.5	318.5	318.5
L2.2	298.5	298.5	298.5	298.5
L1.1	318.5	318.5	318.5	318.5
L1.2	298.5	298.5	298.5	298.5
N.1	318.5	318.5	318.5	318.5
N.2	298.5	298.5	298.5	298.5

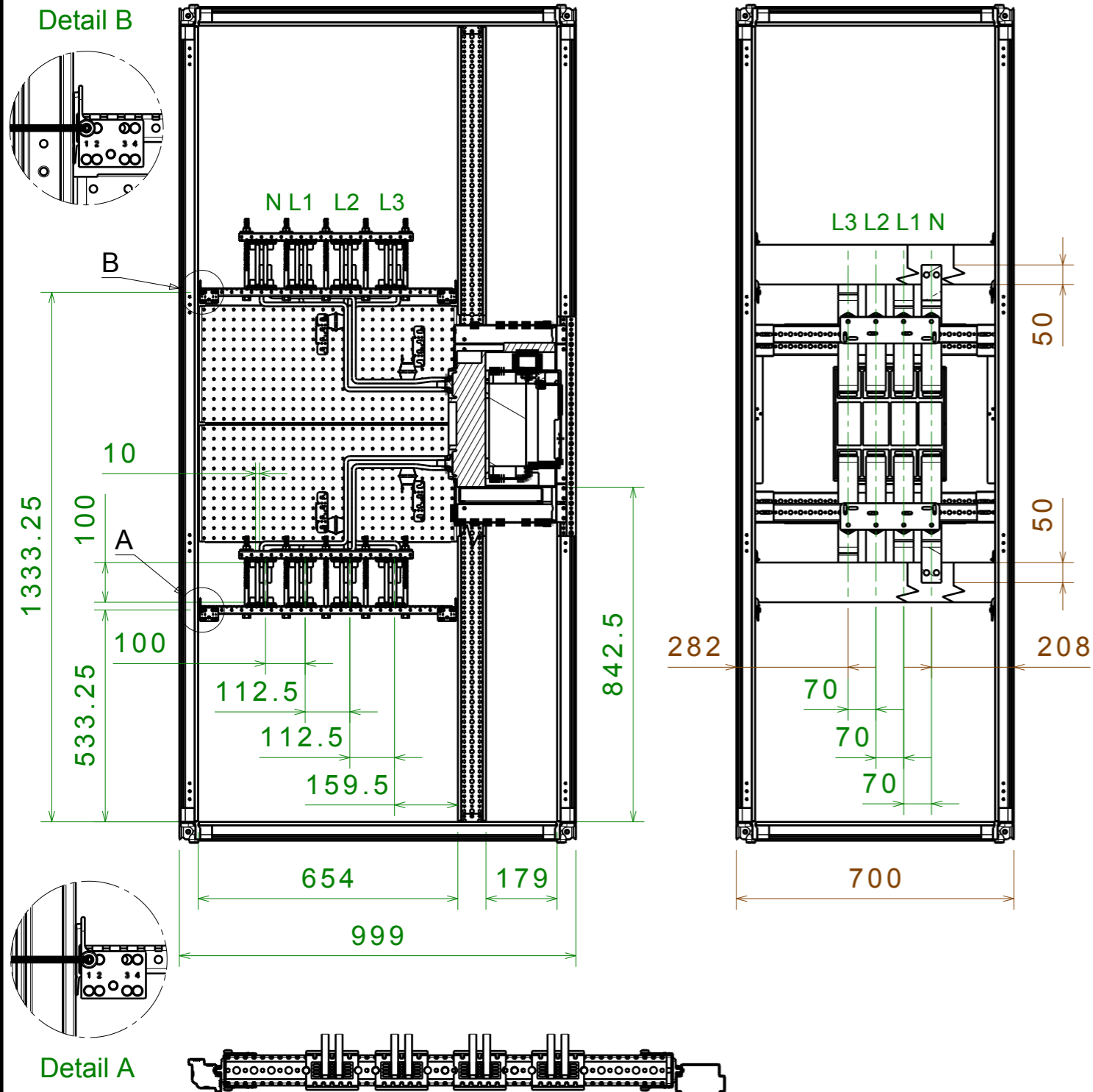
PHASE	POS		A	C
L3	1	L3.1	248.1	-
	2	L3.2	228.1	-
L2	1	L2.1	260.6	-
	2	L2.2	240.6	-
L1	1	L1.1	473.1	407
	2	L1.2	453.1	407
N	1	N.1	573.1	407
	2	N.2	553.1	407



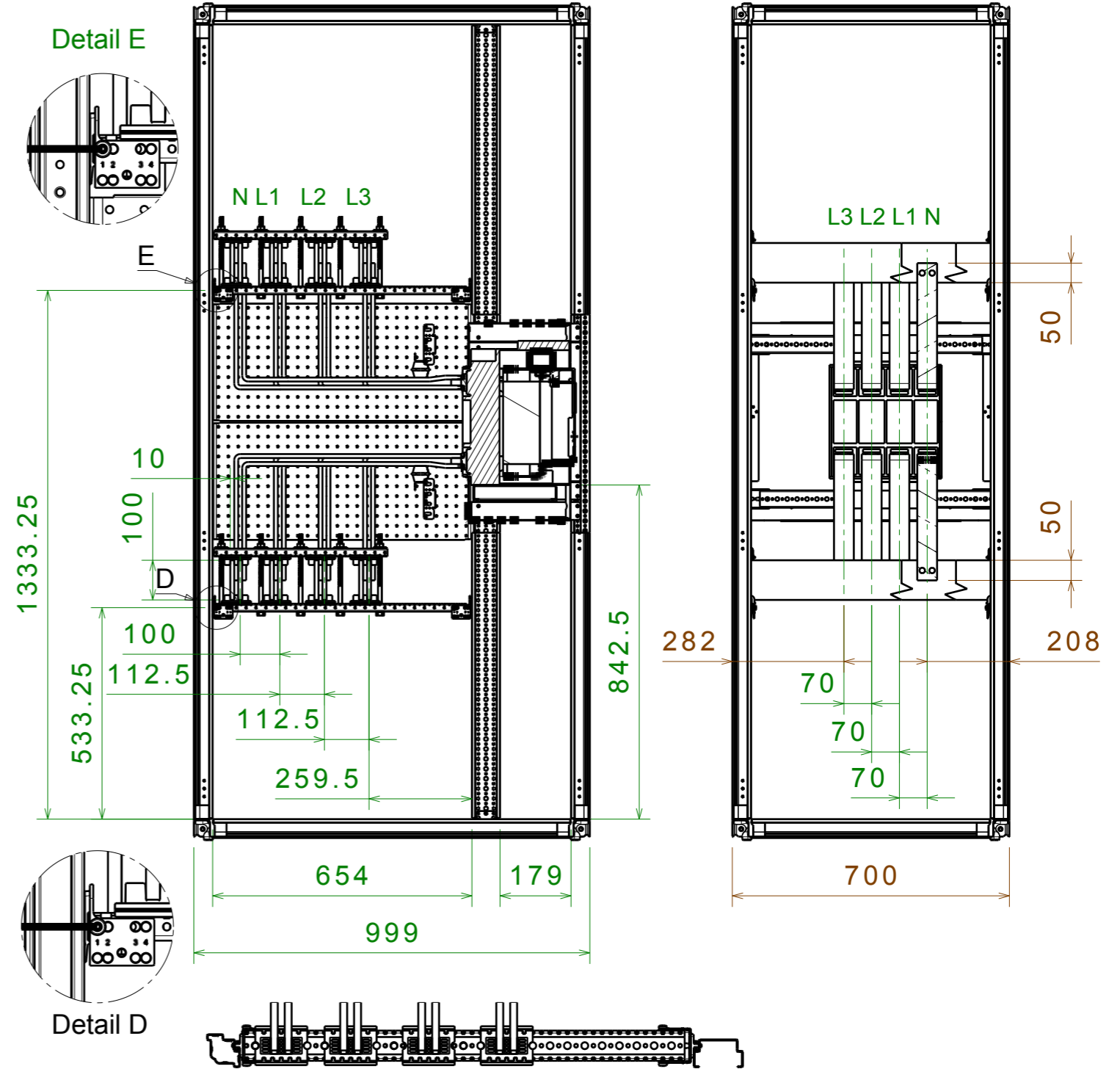
	B			
	H MAIN BUSBARS			
	50	60	80	100
L3.1	368.5	358.5	338.5	318.5
L3.2	348.5	338.5	318.5	298.5
L2.1	368.5	358.5	338.5	318.5
L2.2	348.5	338.5	318.5	298.5
L1.1	368.5	358.5	338.5	318.5
L1.2	348.5	338.5	318.5	298.5
N.1	368.5	358.5	338.5	318.5
N.2	348.5	338.5	318.5	298.5

SCALA SCALE	: 1:4	N° PROGETTO : PROJECT	XXX.XX
DISEGNATORE DESIGNER	:	ABB SACE ADB	
APPROVAZIONE APPROVAL	:	DISEGNO N° /DRAWING N°	
DATA DATE	: xx-xx-xx	E1.2 1000A/1250A/1600A W CONNECTION BUSBARS 2x50x10xP_L	
FORMATO FORMED	Formato A3 Formed	8 6 3 7 1 3	

ASSEMBLY DRAWING E1.2 1000A/1250A/1600A W Icw > 36kA

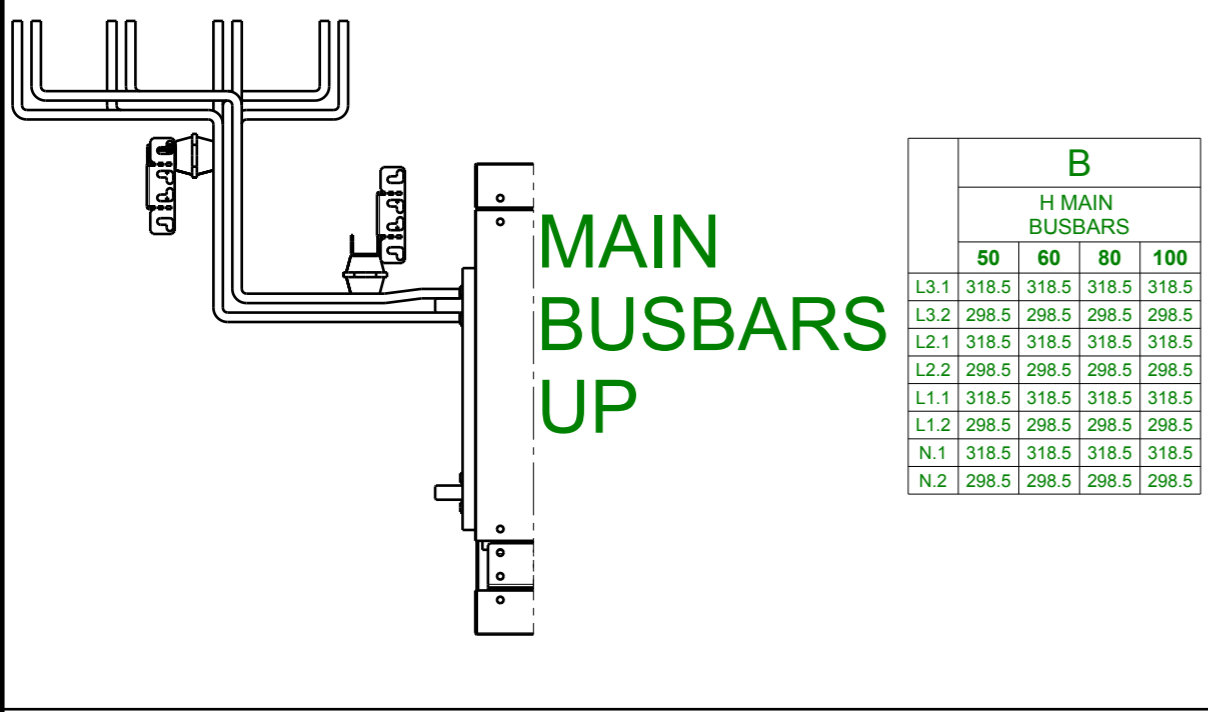


ASSEMBLY DRAWING E1.2 1000A/1250A/1600A W Icw ≤ 36kA



CONNECTION BUSBAR 2x50x10xP

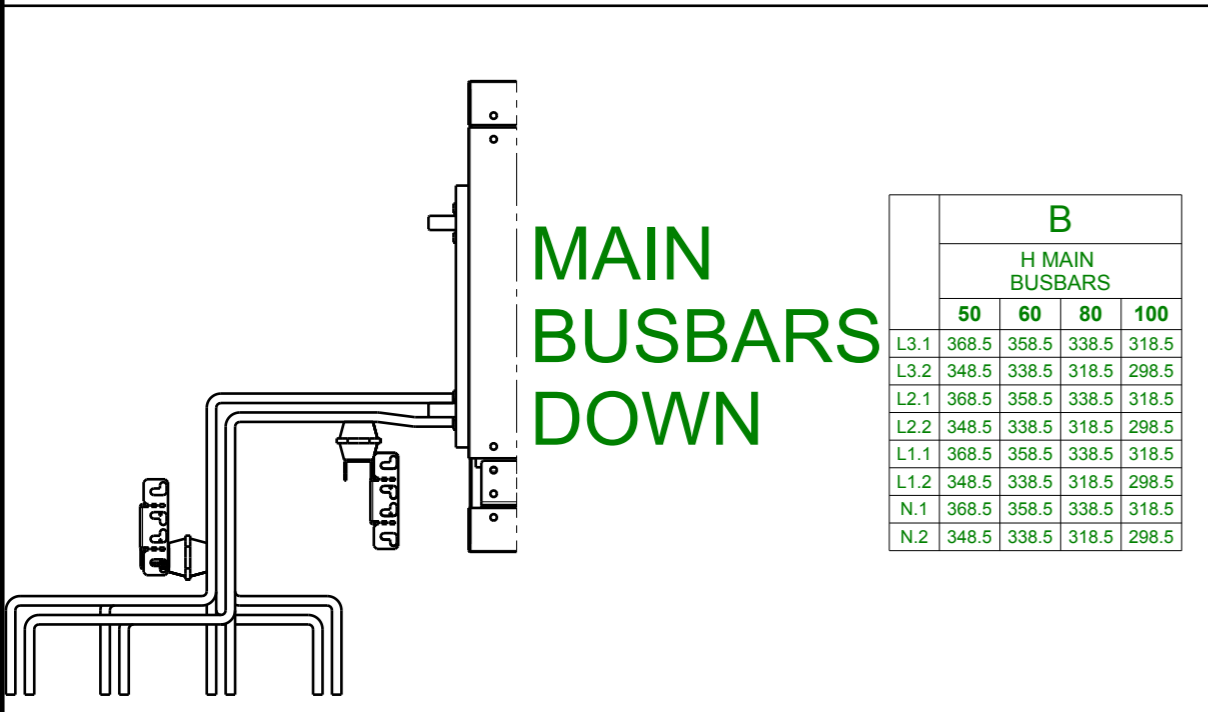
AGG. DI SEGNO	SCALA SCALE : 1:14	N° PROGETTO : PROJECT XXX.XX
MODIFICA	DISEGNATORE DESIGNER :	ABB ABB SACE ADB
DATA	APPROVAZIONE : APPROVAL	DENOMINAZIONE/NAME: E1.2 1000A/1250A/1600A W CONNECTION BUSBARS 2x50x10xP
	DATA DATE : xx-xx-xx	DISEGNO N° /DRAWING N° 8 6 3 7 1 5
	Formato A3 Formed	



	B			
	H MAIN BUSBARS			
	50	60	80	100
L3.1	318.5	318.5	318.5	318.5
L3.2	298.5	298.5	298.5	298.5
L2.1	318.5	318.5	318.5	318.5
L2.2	298.5	298.5	298.5	298.5
L1.1	318.5	318.5	318.5	318.5
L1.2	298.5	298.5	298.5	298.5
N.1	318.5	318.5	318.5	318.5
N.2	298.5	298.5	298.5	298.5

**MAIN
BUSBARS
UP**

PHASE	POS	A	C	D	E	
L3	1	L3.1	260.6	84.25	122.5	175
	2	L3.2	240.6	104.25	122.5	155
L2	1	L2.1	260.6	-	-	175
	2	L2.2	240.6	-	-	155
L1	1	L1.1	260.6	104.25	122.5	175
	2	L1.2	240.6	84.25	122.5	155
N	1	N.1	260.6	104.25	222.5	175
	2	N.2	240.6	84.25	222.5	155



	B			
	H MAIN BUSBARS			
	50	60	80	100
L3.1	368.5	358.5	338.5	318.5
L3.2	348.5	338.5	318.5	298.5
L2.1	368.5	358.5	338.5	318.5
L2.2	348.5	338.5	318.5	298.5
L1.1	368.5	358.5	338.5	318.5
L1.2	348.5	338.5	318.5	298.5
N.1	368.5	358.5	338.5	318.5
N.2	348.5	338.5	318.5	298.5

**MAIN
BUSBARS
DOWN**

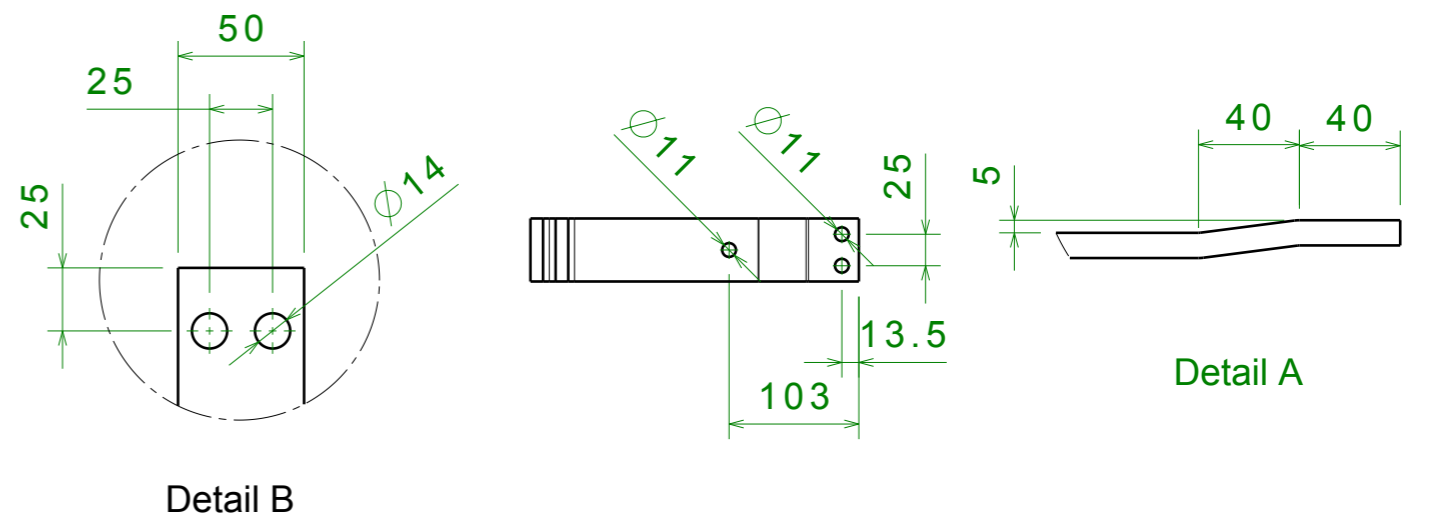
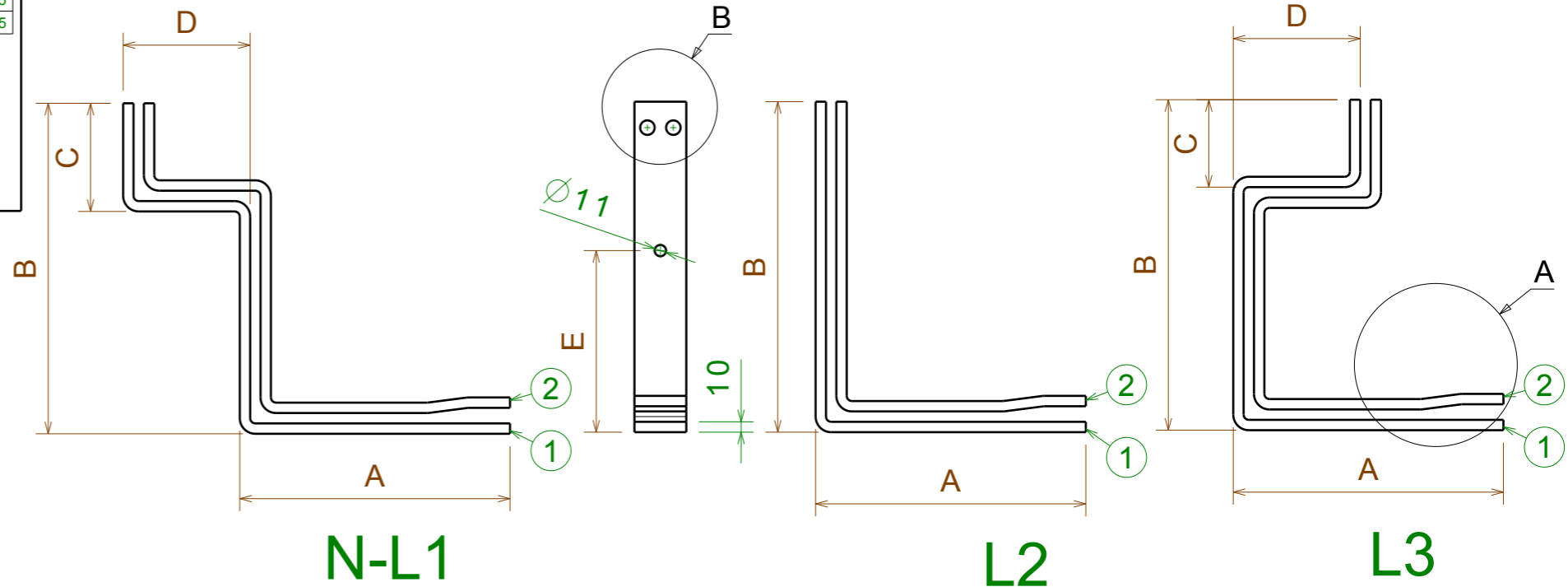
CONNECTIONS FOR E1.2 WITHDRAWABLE 1000A/1250A/1600A Icw > 36KA

SPEP P = 900mm

BUSBARS HOLDER PBHB2145 (75mm)

MAIN BUSBAR IP30 / IP31 : 2000A (2x50x10); 2500A (2x80x10); 3200A (2x100x10)

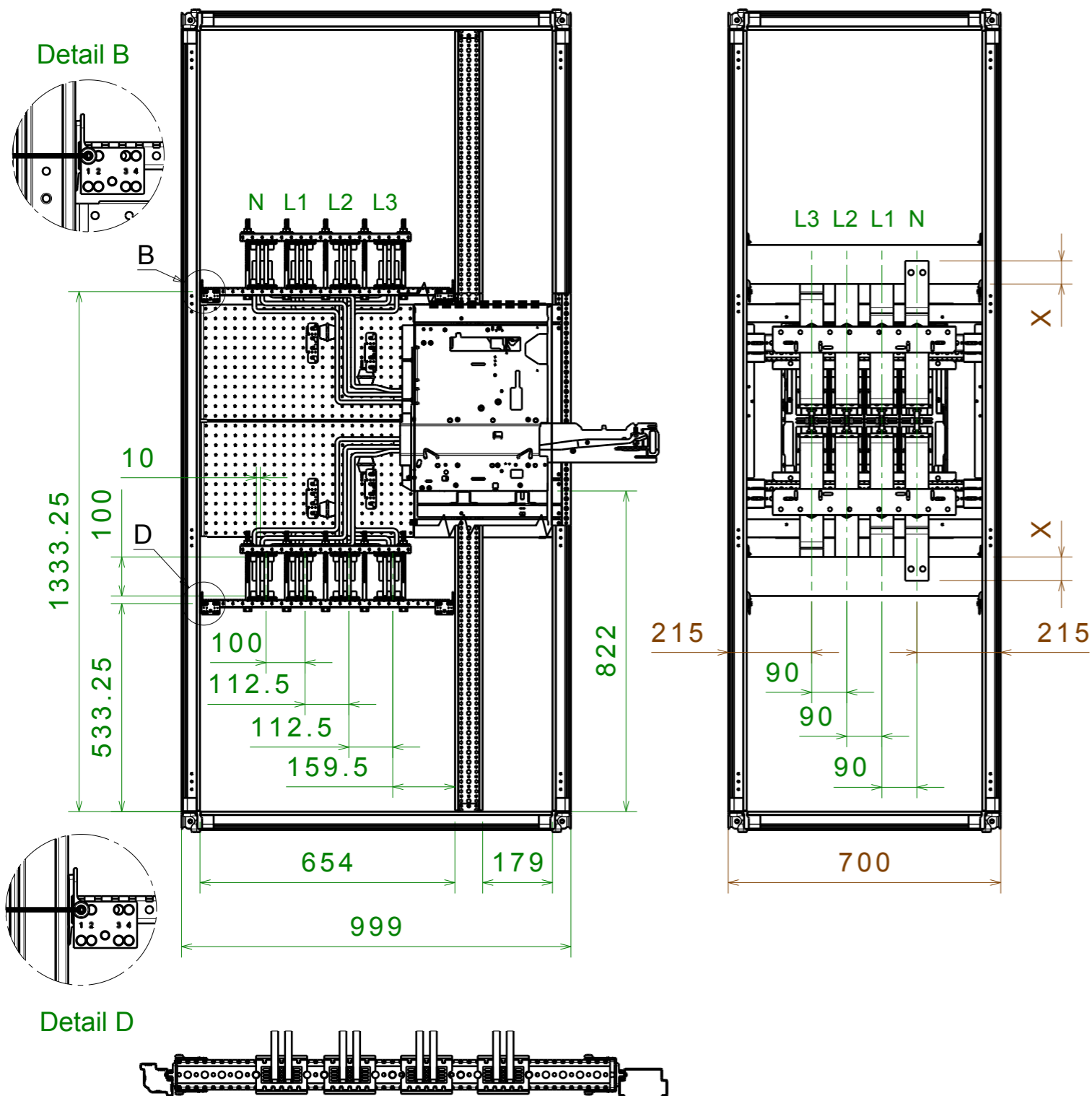
MAIN BUSBAR IP40 / IP41 / IP65 : 2000A (2x60x10); 2500A (2x100x10);



AGG. DI SEGNO	SCALA SCALE : 1:8	N° PROGETTO PROJECT : XXX.XX
DESIGNER	DESIGNER :	ABB SACE ADB
APPROVAZIONE APPROVAL	APPROVAL :	DENOMINAZIONE/NAME : E1.2 1000A/1250A/1600A W CONNECTION BUSBARS 2x50x10xP
DATA DATE : xx-xx-xx	FORMATO A3 Formed	DI SEGNO N° /DRAWING N° : 8 6 3 7 1 4

Questo disegno e' di esclusiva proprieta' di ABB SACE ADB. Ne e' vietata la riproduzione a termini di legge.

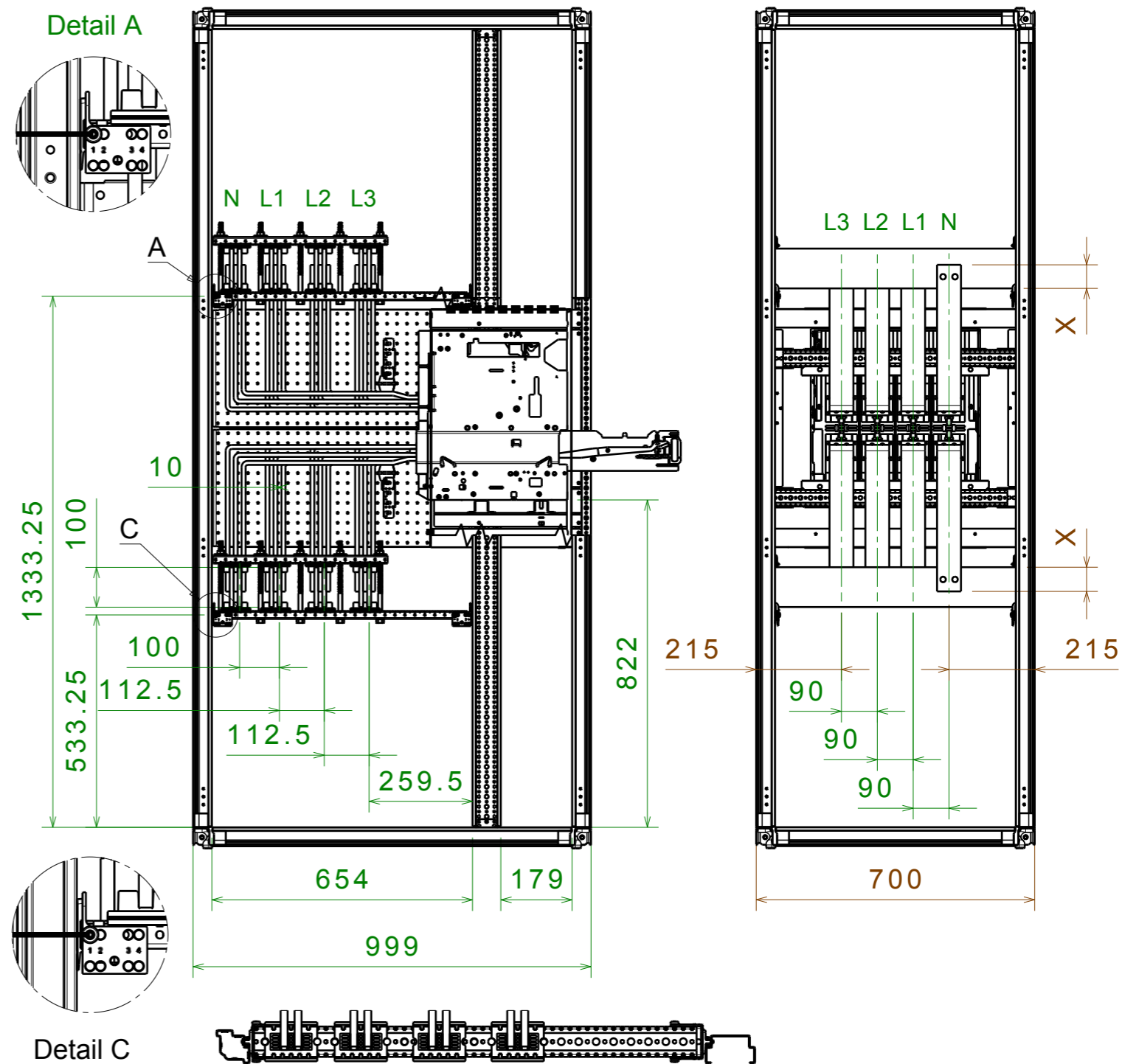
ASSEMBLY DRAWING E2.2 2000A W $I_{cw} > 36KA$



H MAIN BUSBARS				
	50	60	80	100
X	50	60	60	60

CONNECTION BUSBARS 3x60x10xP

ASSEMBLY DRAWING E2.2 2000A W $I_{cw} \leq 36KA$



AGG. DI SEGNO	SCALA SCALE	: 1:14
MODIFICA	DISEGNATORE DESIGNER	:
DATA	APPROVAZIONE APPROVAL	:
	DATA DATE	: xx-xx-xx
		Formato A3 Formed

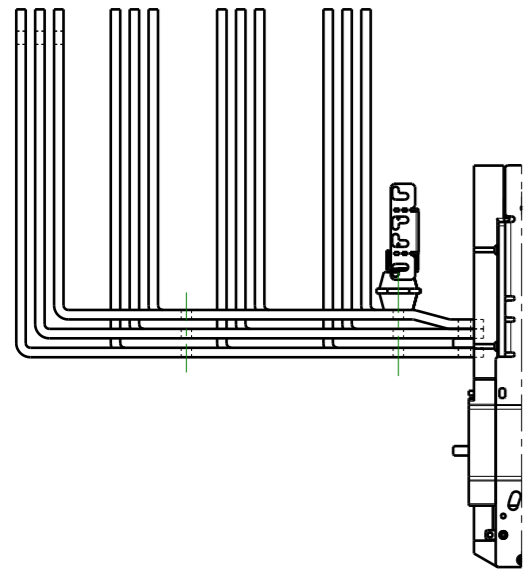
N° PROGETTO PROJECT	XXX.XX
ABB ABB SACE ADB	
DENOMINAZIONE/NAME: E2.2 2000A W CONNECTION BUSBARS 3x60x10xP	

DISEGNO N° /DRAWING N°	8 6 3 6 8 9
------------------------	-------------

CONNECTIONS FOR E2.2 WITHDRAWABLE 2000A Icw ≤ 36KA

SPEP P=900mm
BUSBARS HOLDER PBHB2145 (75mm)

MAIN BUSBARS IP30 / IP31 : 2000A (2x50x10); 2500A (2x80x10); 3200A (2x100x10)
MAIN BUSBARS IP40 / IP41 / IP65 : 2000A (2x60x10); 2500A (2x100x10)

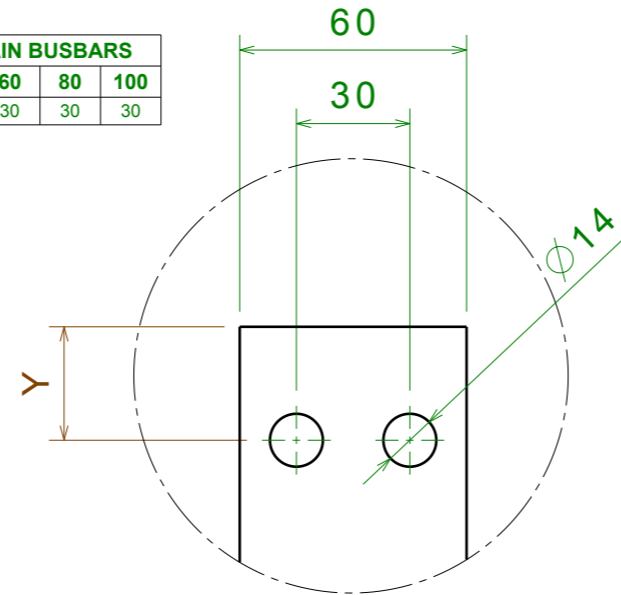


**MAIN
BUSBARS
UP**

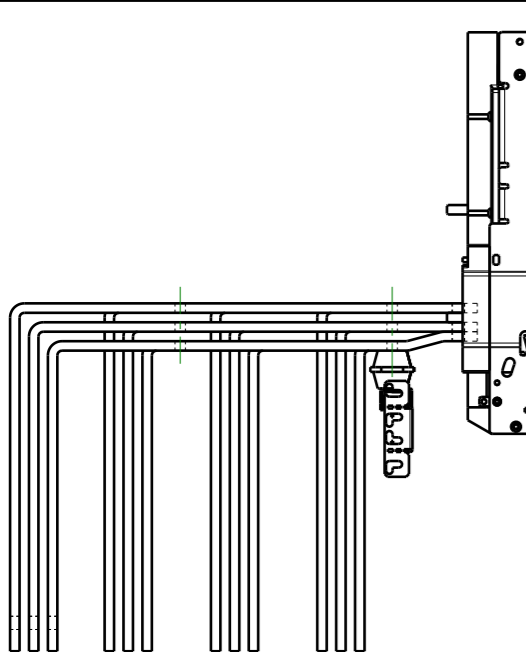
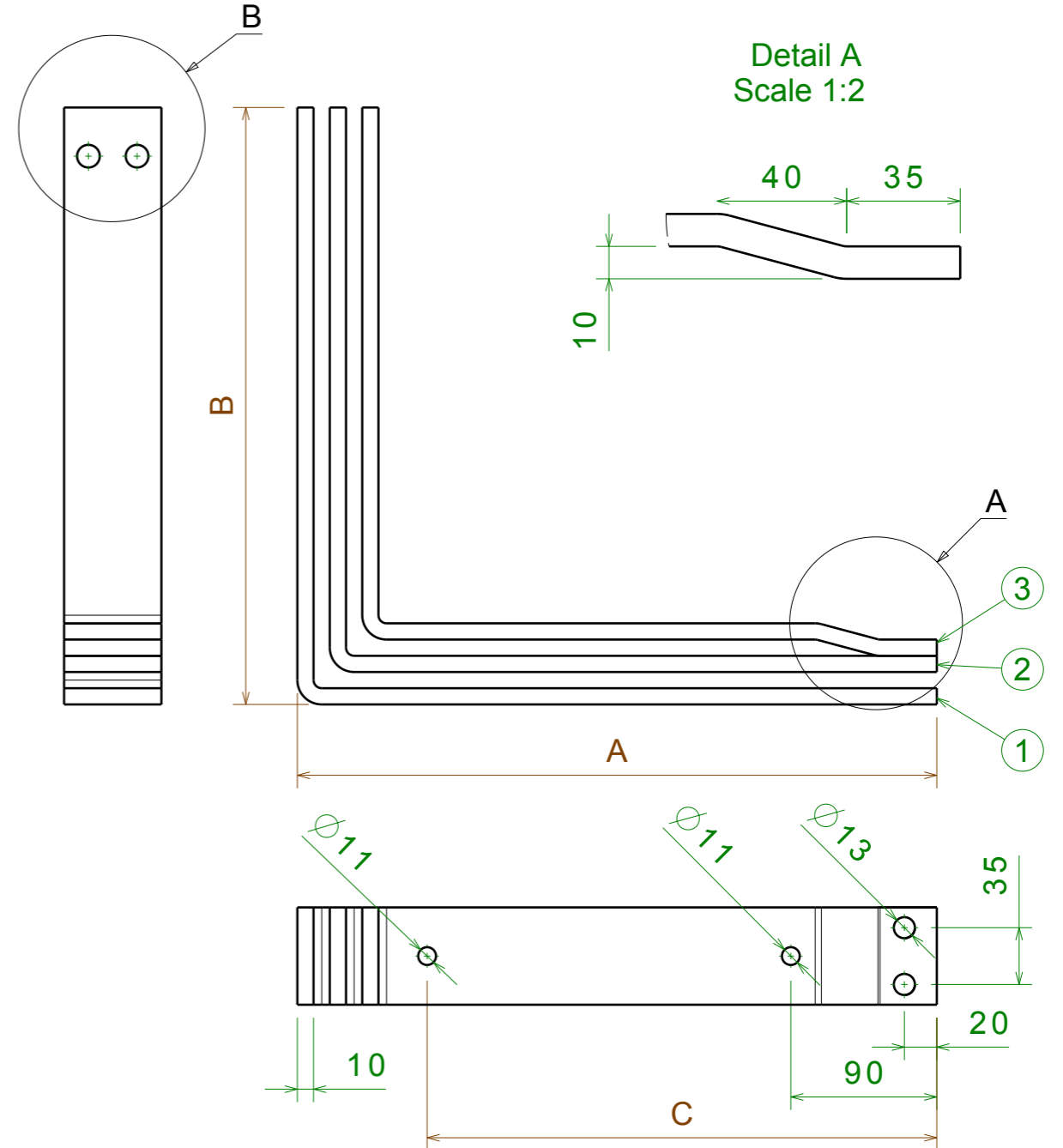
	B			
	H MAIN BUSBARS			
	50	60	80	100
L3.1	358	368	368	368
L3.2	338	348	348	348
L3.3	328	338	338	338
L2.1	358	368	368	368
L2.2	338	348	348	348
L2.3	328	338	338	338
L1.1	358	368	368	368
L1.2	338	348	348	348
L1.3	328	338	338	338
N.1	358	368	368	368
N.2	338	348	348	348
N.3	328	338	338	338

PHASE	POS	A	C
L3	1	L3.1	169.25
	2	L3.2	149.25
	3	L3.3	129.25
L2	1	L2.1	381.75
	2	L2.2	261.75
	3	L2.3	241.75
L1	1	L1.1	494.25
	2	L1.2	374.25
	3	L1.3	354.25
N	1	N.1	494.25
	2	N.2	474.25
	3	N.3	454.25

	H MAIN BUSBARS			
Y	50	60	80	100
25	30	30	30	30



Detail B

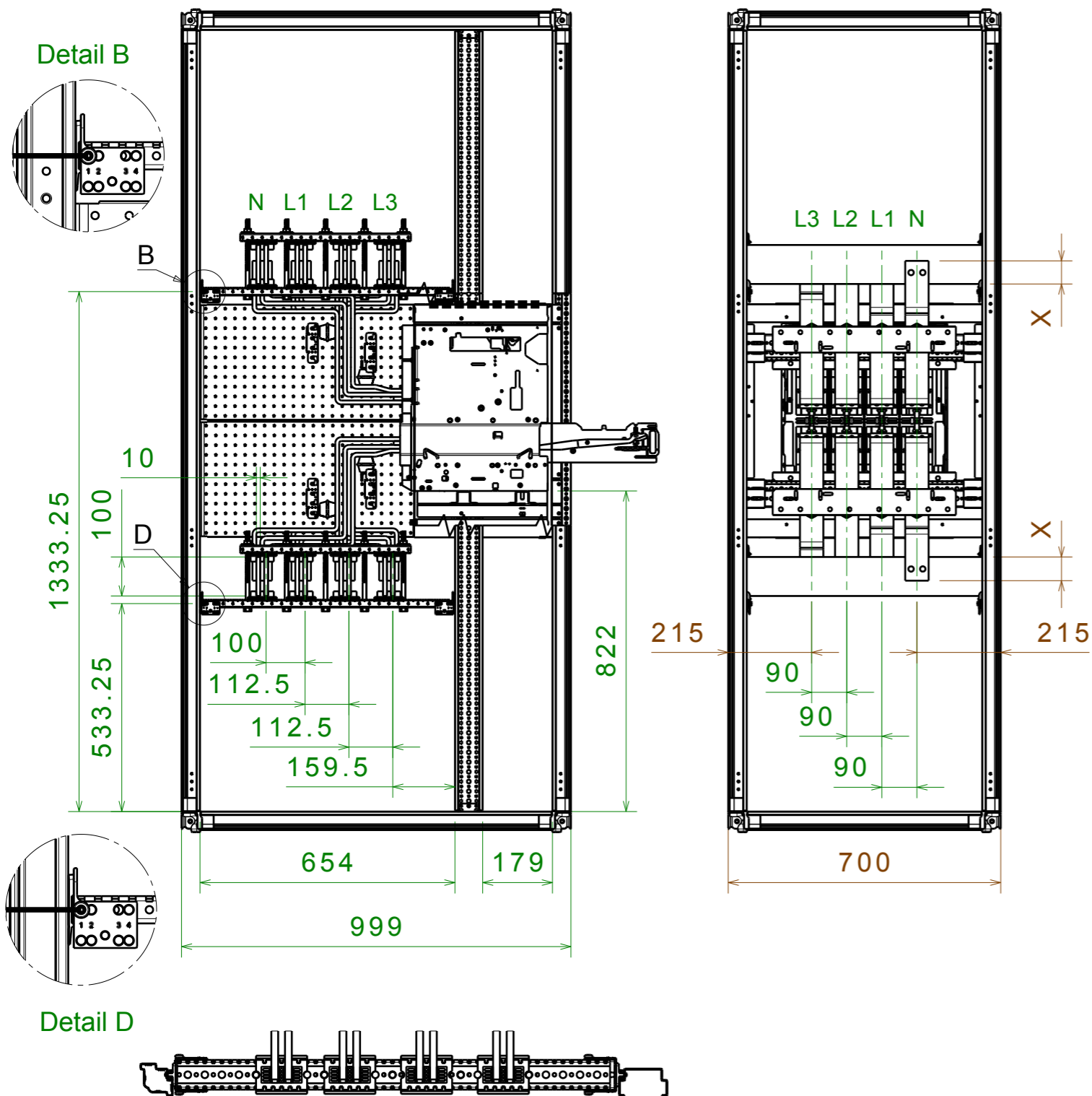


**MAIN
BUSBARS
DOWN**

	B			
	H MAIN BUSBARS			
	50	60	80	100
L3.1	408	408	388	368
L3.2	388	388	368	348
L3.3	378	378	358	338
L2.1	408	408	388	368
L2.2	388	388	368	348
L2.3	378	378	358	338
L1.1	408	408	388	368
L1.2	388	388	368	348
L1.3	378	378	358	338
N.1	408	408	388	368
N.2	388	388	368	348
N.3	378	378	358	338

AGG. DI SEGNO	SCALA SCALE : 1:8	N° PROGETTO PROJECT : XXX.XX
DISEGNATORE DESIGNER	APPROVAZIONE APPROVAL	ABB ABB SACE ADB
MODIFICA	DATA DATE : xx-xx-xx	DENOMINAZIONE/NAME : E2.2 2000A W CONNECTION BUSBARS 3x60x10xP_L
DATA	Formato A3 Formed	DISEGNO N° /DRAWING N° : 8 6 3 6 9 0

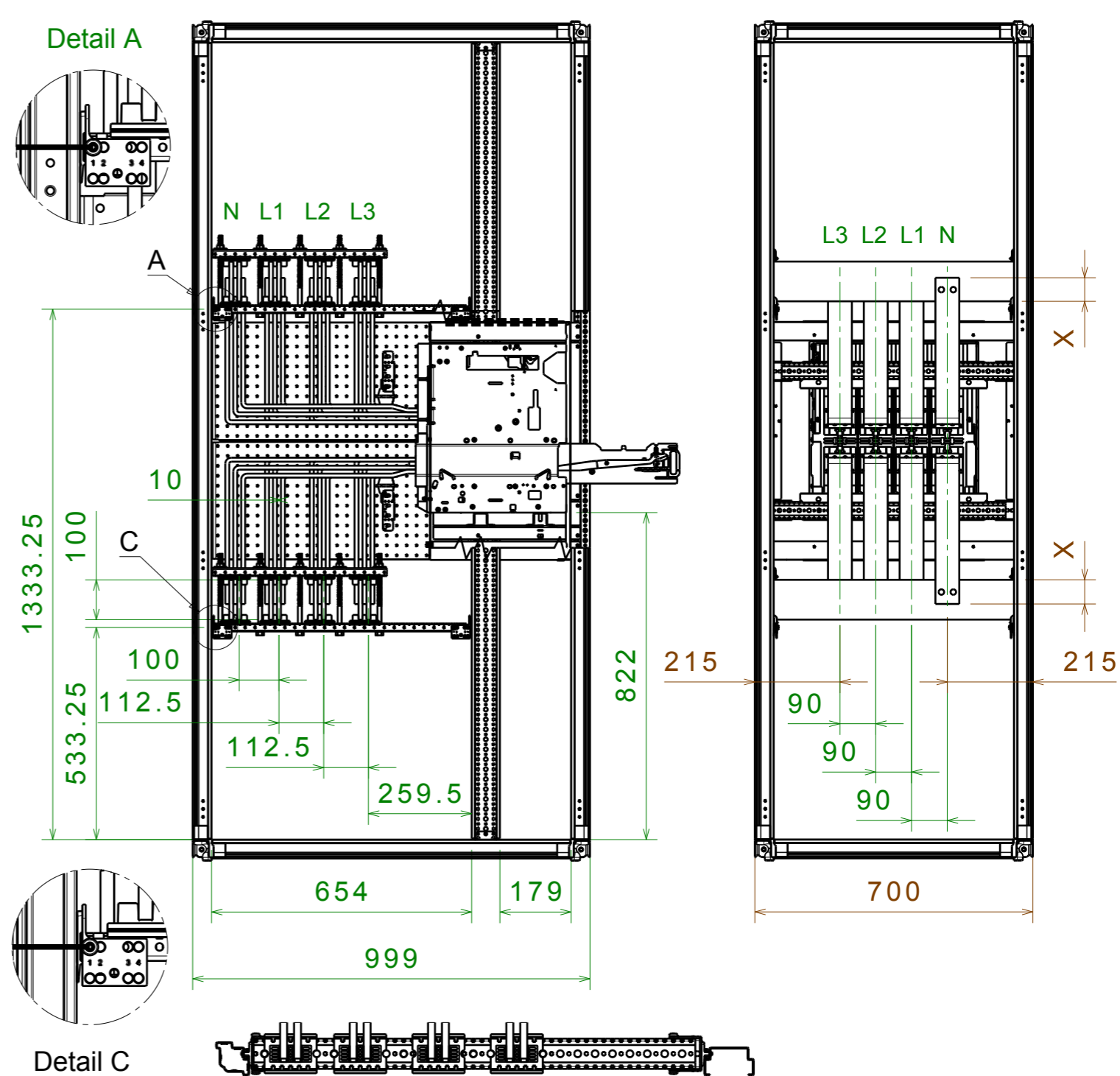
ASSEMBLY DRAWING E2.2 2000A W $I_{cw} > 36KA$



H MAIN BUSBARS				
	50	60	80	100
X	50	60	60	60

CONNECTION BUSBARS 3x60x10xP

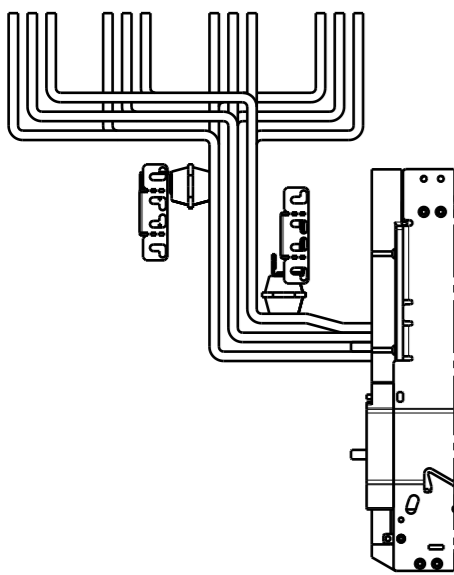
ASSEMBLY DRAWING E2.2 2000A W $I_{cw} \leq 36KA$



AGG. DI SEGNO	SCALA SCALE	: 1:14
MODIFICA	DISEGNATORE DESIGNER	:
DATA	APPROVAZIONE APPROVAL	:
	DATA DATE	: xx-xx-xx
		Formato A3 Formed

N° PROGETTO PROJECT	XXX.XX
ABB ABB SACE ADB	
DENOMINAZIONE/NAME: E2.2 2000A W CONNECTION BUSBARS 3x60x10xP	

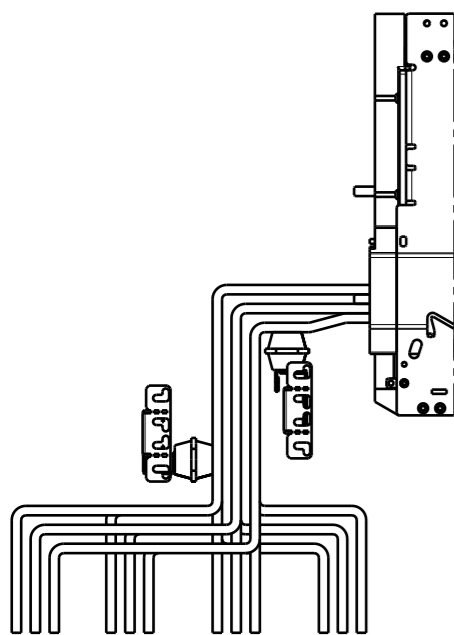
DISEGNO N° /DRAWING N°	
8 6 3 6 8 9	



**MAIN
BUSBARS
UP**

	B			
	H MAIN BUSBARS			
	50	60	80	100
L3.1	358	368	368	368
L3.2	338	348	348	348
L3.3	328	338	338	338
L2.1	358	368	368	368
L2.2	338	348	348	348
L2.3	328	338	338	338
L1.1	358	368	368	368
L1.2	338	348	348	348
L1.3	328	338	338	338
N.1	358	368	368	368
N.2	338	348	348	348
N.3	328	338	338	338

PHASE	POS	A	C	D	E	
L3	1	L3.1	181.75	94.25	122.5	185
	2	L3.2	161.75	114.25	122.5	165
	3	L3.3	141.75	134.25	122.5	155
L2	1	L2.1	181.75	-	-	185
	2	L2.2	161.75	-	-	165
	3	L2.3	141.75	-	-	155
L1	1	L1.1	181.75	134.25	122.5	185
	2	L1.2	161.75	114.25	122.5	165
	3	L1.3	141.75	94.25	122.5	155
N	1	N.1	181.75	134.25	222.5	185
	2	N.2	161.75	114.25	222.5	165
	3	N.3	141.75	94.25	222.5	155



**MAIN
BUSBARS
DOWN**

	B			
	H MAIN BUSBARS			
	50	60	80	100
L3.1	408	408	388	368
L3.2	388	388	368	348
L3.3	378	378	358	338
L2.1	408	408	388	368
L2.2	388	388	368	348
L2.3	378	378	358	338
L1.1	408	408	388	368
L1.2	388	388	368	348
L1.3	378	378	358	338
N.1	408	408	388	368
N.2	388	388	368	348
N.3	378	378	358	338

CONNECTIONS FOR E2.2 WITHDRAWABLE 2000A

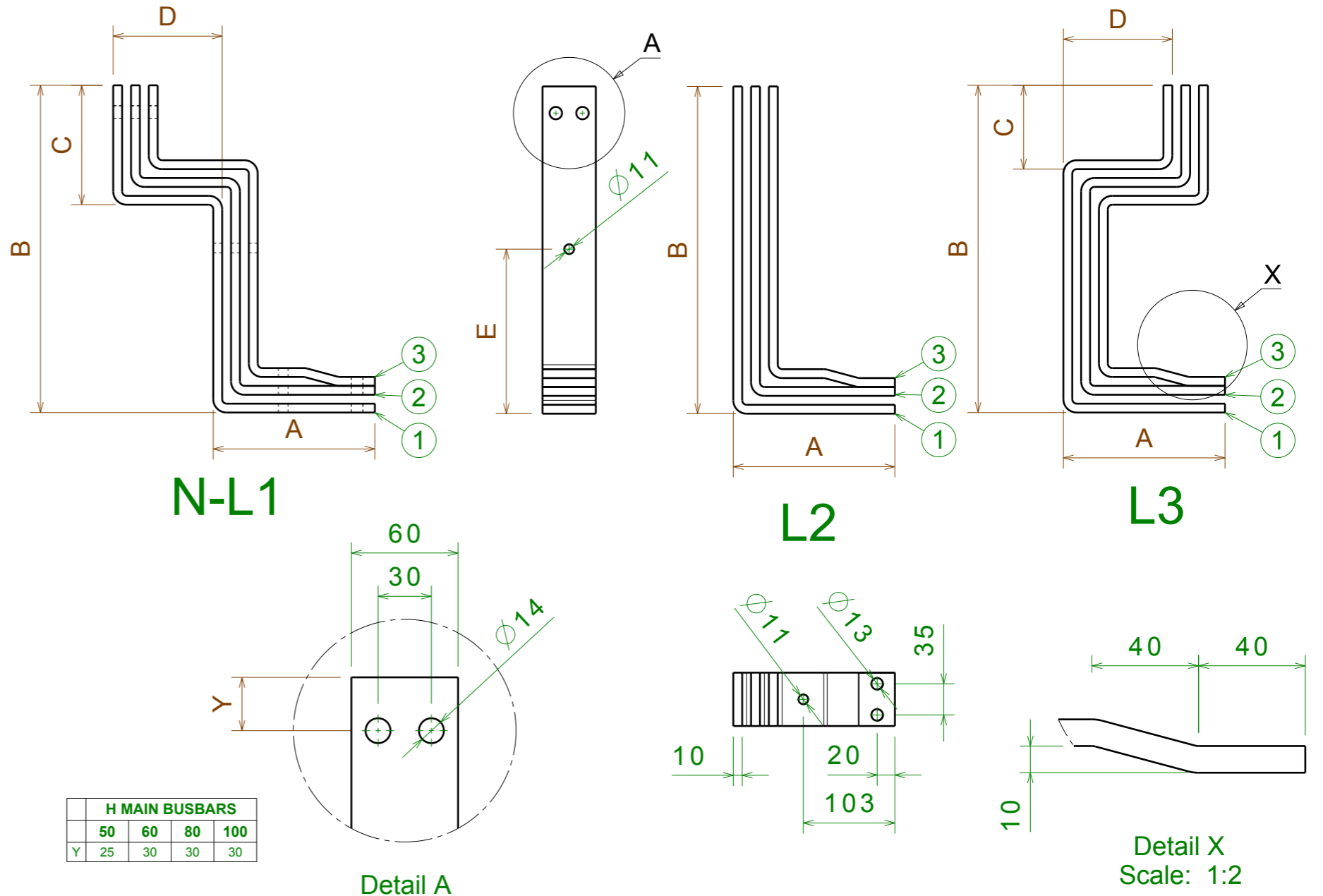
Icw > 36KA

SPEP P=900mm

BUSBARS HOLDER PBHB2145 (75mm)

MAIN BUSBARS IP30 / IP31 : 2000A (2x50x10); 2500A (2x80x10); 3200A (2x100x10)

MAIN BUSBARS IP40 / IP41 / IP65 : 2000A (2x60x10); 2500A (2x100x10)



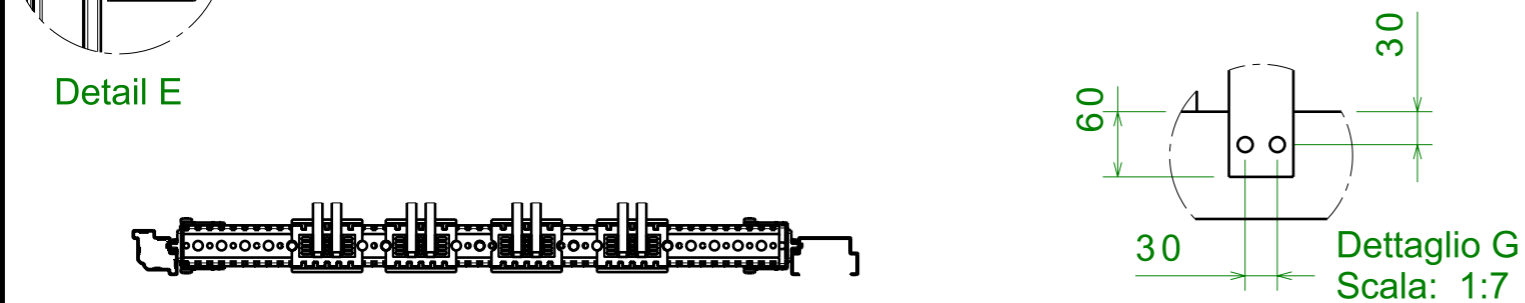
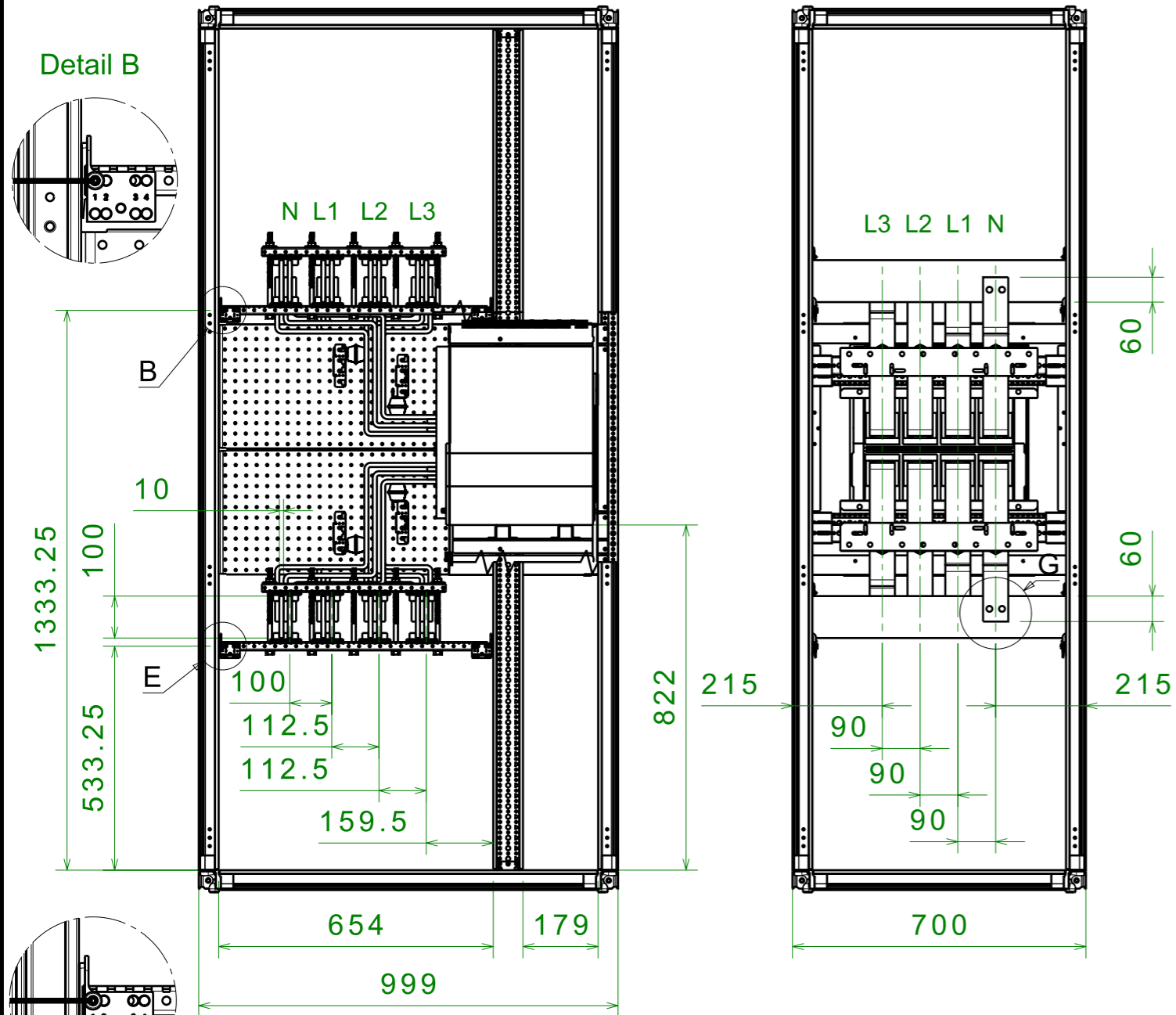
	H MAIN BUSBARS			
	50	60	80	100
Y	25	30	30	30

Detail A

Detail X
Scale: 1:2

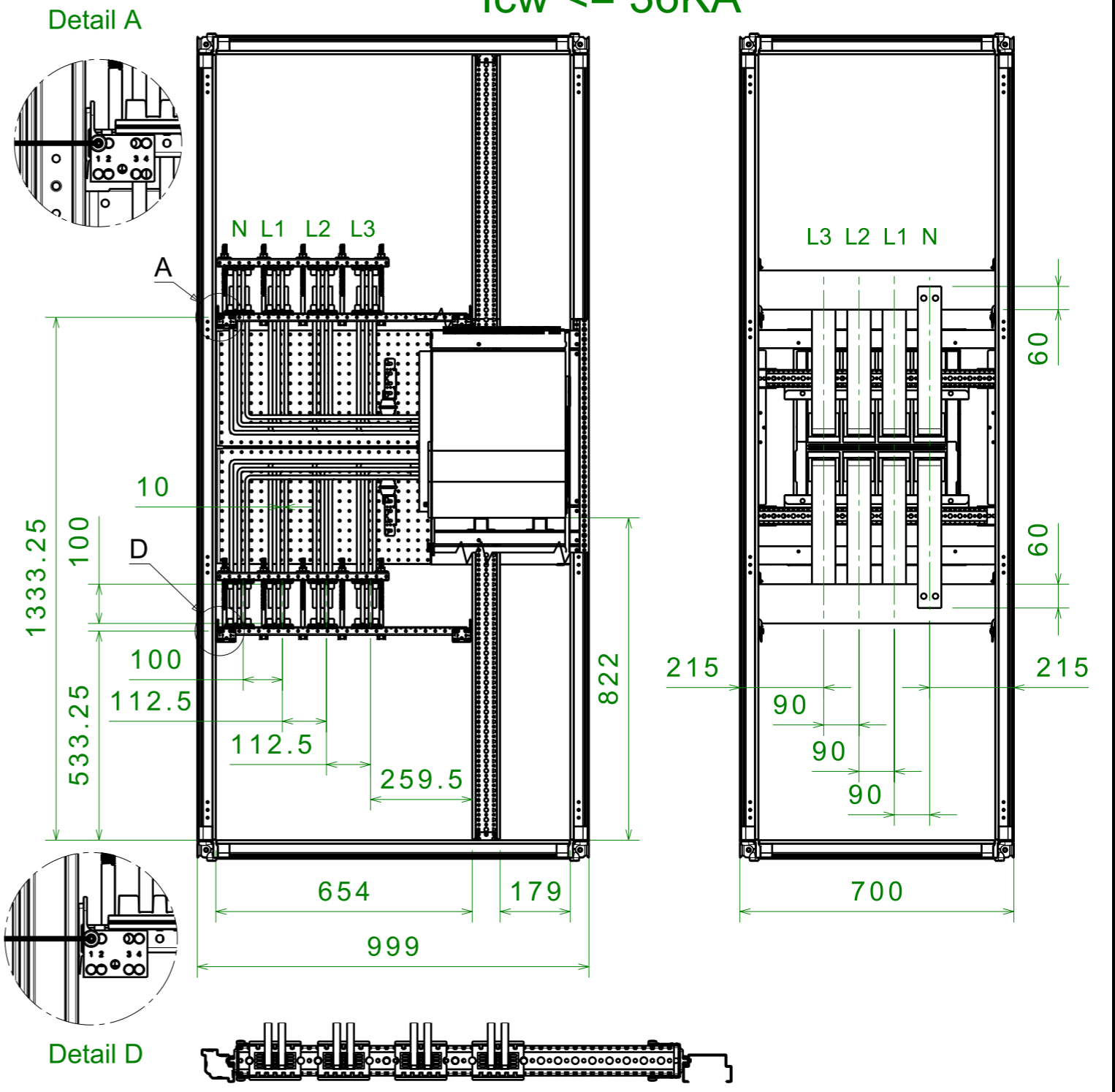
AGG. DI SEGNO	SCALA SCALE : 1:6	TRATT.:
DESIGNER	DISEGNATORE DESIGNER :	N° PROGETTO : PROJECT XXX.XX
APPROVAZIONE :	APPROVAZIONE :	ABB ABB SACE ADB
APPROVAL	APPROVAL	DENOMINAZIONE/NAME:
DATA	DATA DATE : xx-xx-xx	E2.2 2000A W CONNECTION BUSBARS 3x60x10xP
FORMATO	Formato A3 Formed	DISEGNO N° /DRAWING N° 8 6 3 6 9 1

ASSEMBLY DRAWING
E2.2 2500A W
Icw > 36KA



CONNECTION BUSBARS 3x60x10xP

ASSEMBLY DRAWING
E2.2 2500A W
Icw <= 36KA



SCALA SCALE	: 1:14	N° PROGETTO : PROJECT	XXX.XX
DISSEGNAZIONE DESIGNER	:	ABB SACE ADB	
APPROVAZIONE APPROVAL	:	DENOMINAZIONE/NAME:	
DATA DATE	: XX-XX-XX	E2.2 2500A W CONNECTION BUSBARS 3x60x10xP	
FORMATO FORMED	Formato A3 Formed	DISEGNO N° /DRAWING N° 8 6 3 6 8 6	

Questo disegno e' di esclusiva proprieta' di ABB SACE ADB. Ne e' vietata la riproduzione a termini di legge.

CONNECTIONS FOR E2.2 WITHDRAWABLE 2500A

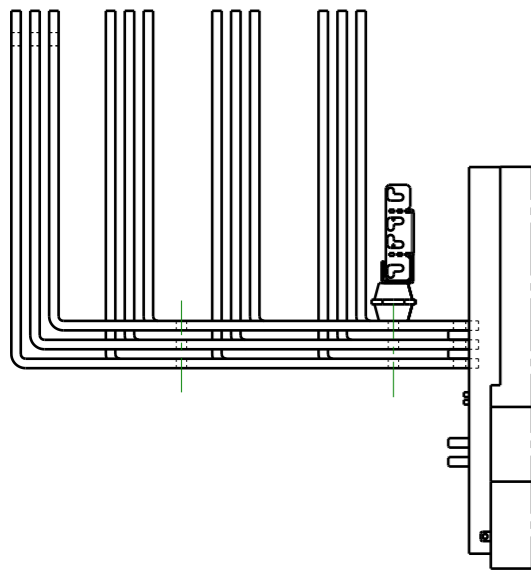
I_{cw} ≤ 36KA

SPEP P = 900mm

BUSBARS HOLDER PBHB2145 (75mm)

MAIN BUSBARS IP30 / IP31 : 2500A (2x80x10); 3200A (2x100x10)

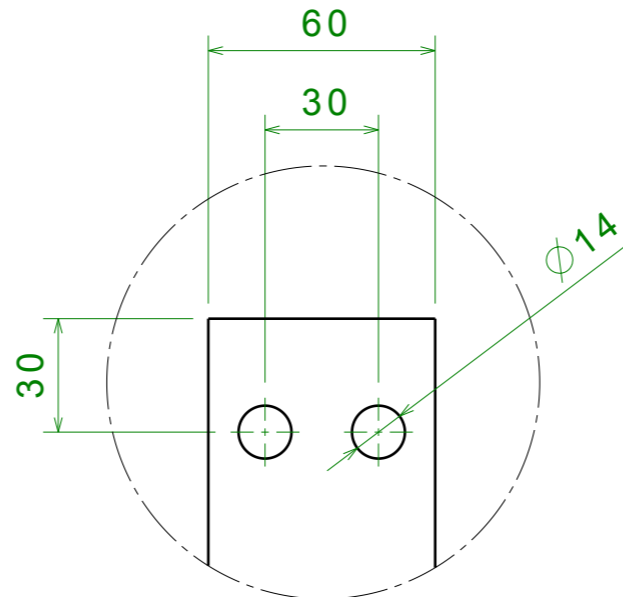
MAIN BUSBARS IP40 / IP41 / IP65 : 2500A (2x100x10)



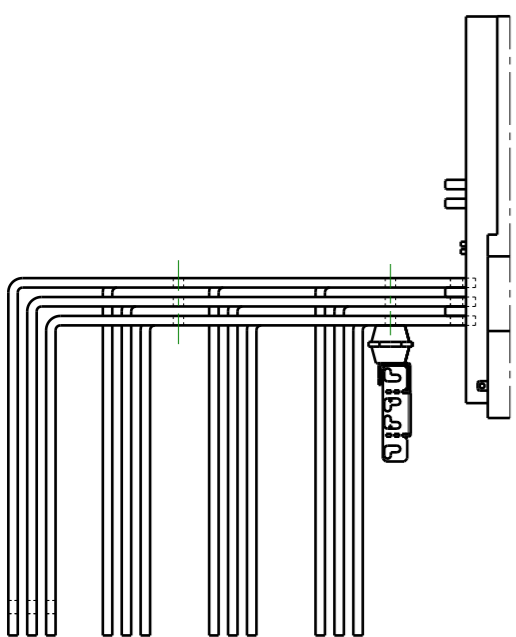
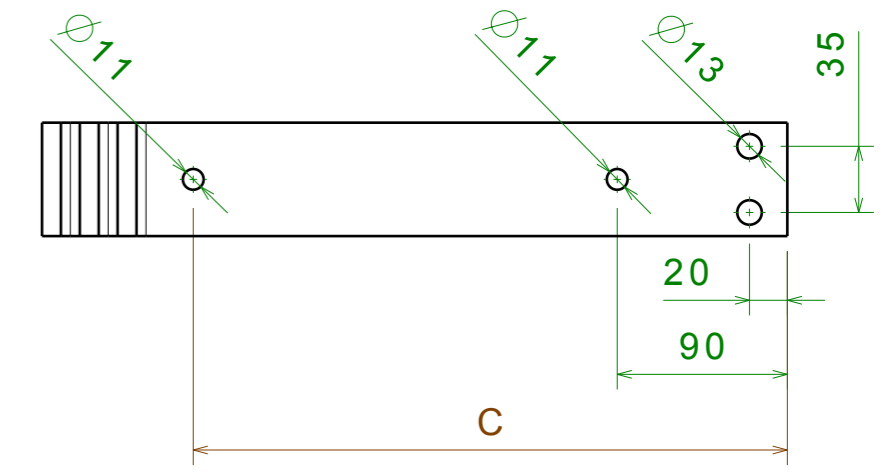
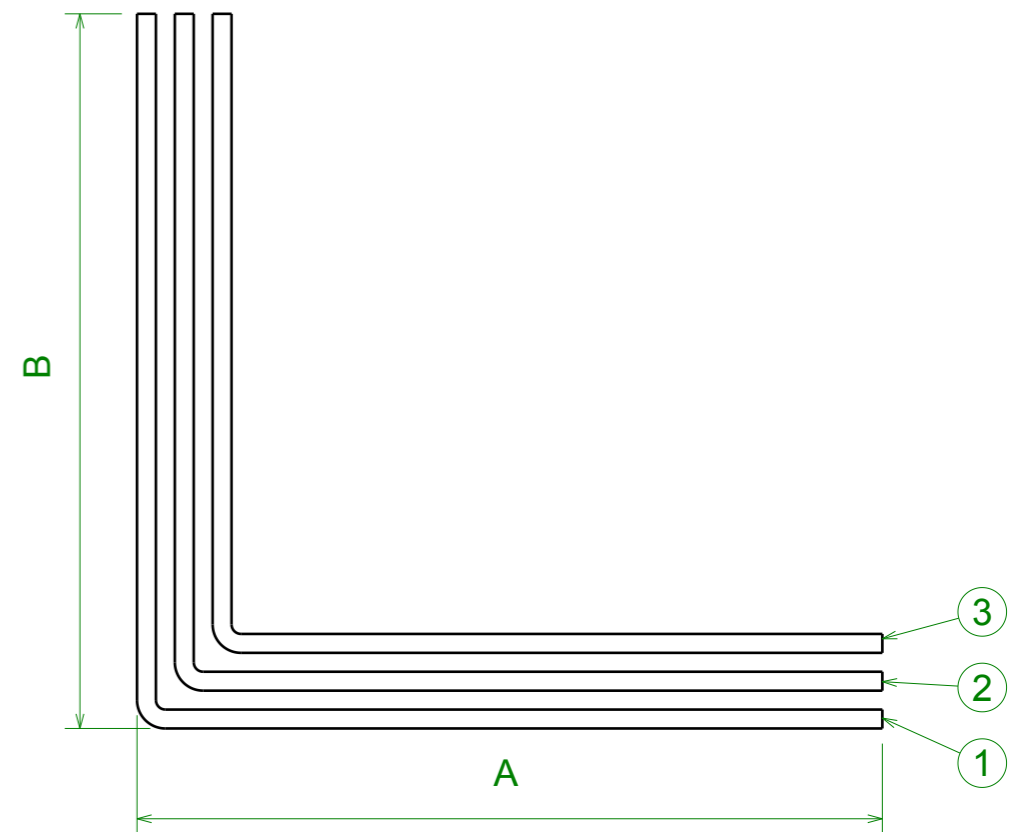
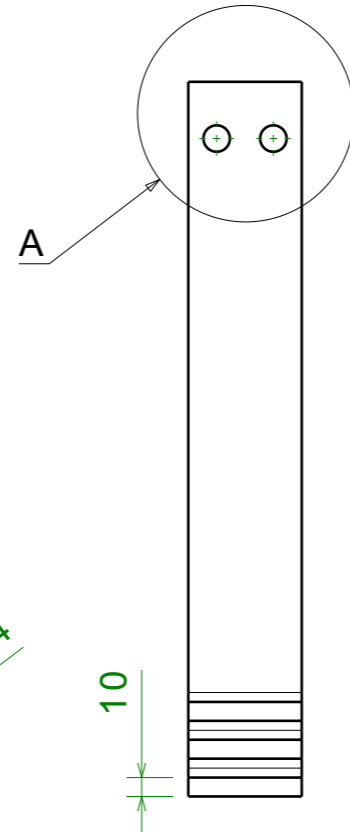
MAIN BUSBARS UP

	B	
	H MAIN BUSBARS	
	80	100
L3.1	378	378
L3.2	358	358
L3.3	338	338
L2.1	378	378
L2.2	358	358
L2.3	338	338
L1.1	378	378
L1.2	358	358
L1.3	338	338
N.1	378	378
N.2	358	358
N.3	338	338

PHASE	POS	A	C	
L3	1	L3.1	169.25	
	2	L3.2	149.25	
	3	L3.3	129.25	
L2	1	L2.1	281.75	
	2	L2.2	261.75	
	3	L2.3	241.75	
L1	1	L1.1	394.25	314.25
	2	L1.2	374.25	314.25
	3	L1.3	354.25	314.25
N	1	N.1	494.25	314.25
	2	N.2	474.25	314.25
	3	N.3	454.25	314.25



Detail A

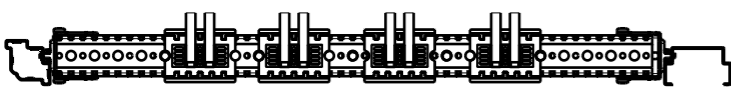
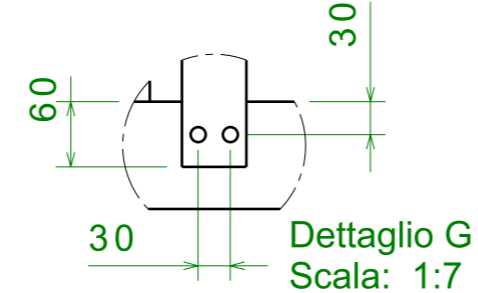
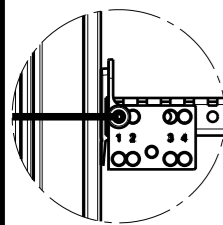
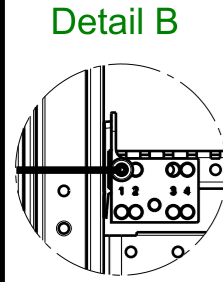
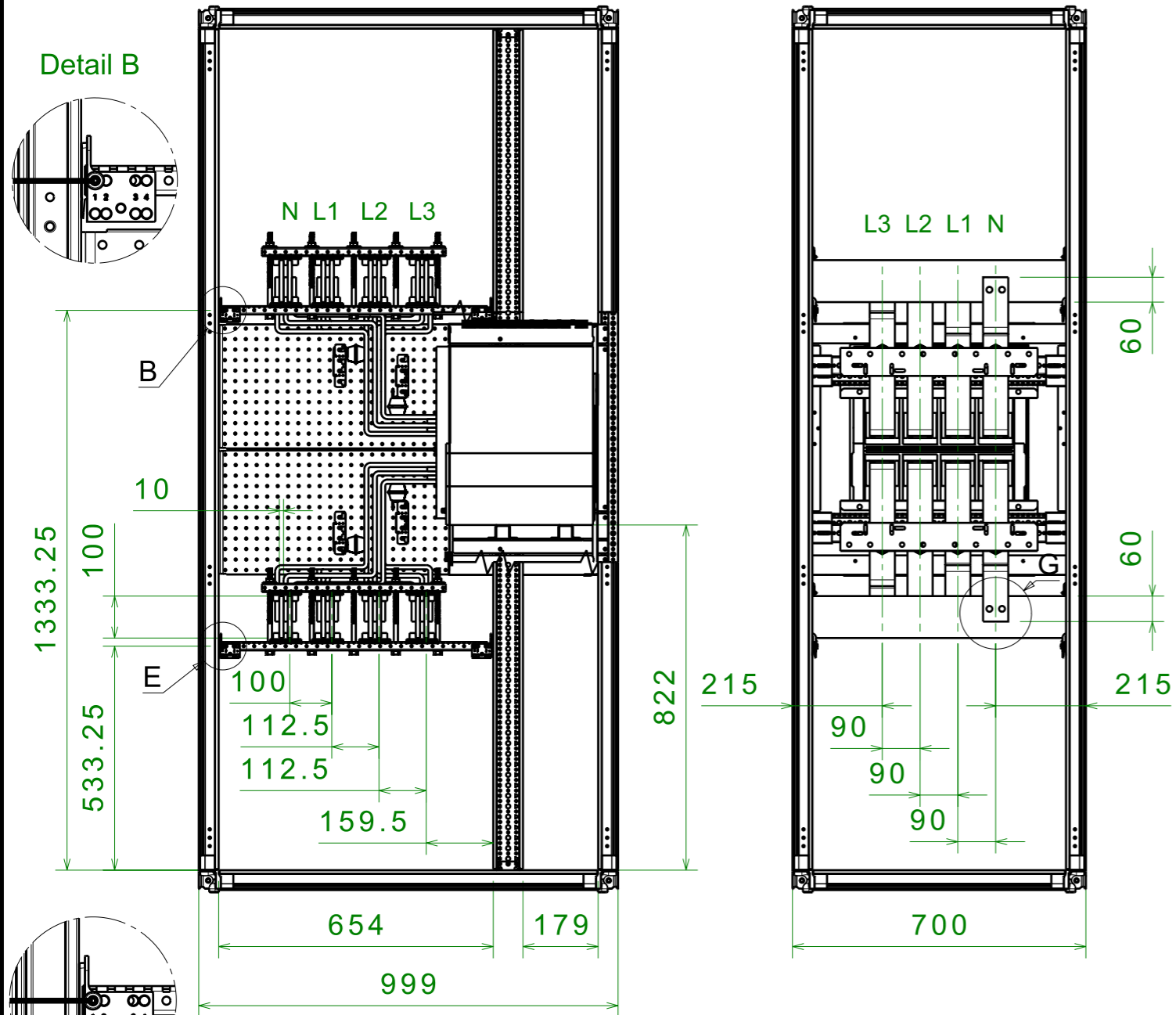


MAIN BUSBARS DOWN

	B	
	H MAIN BUSBARS	
	80	100
L3.1	398	378
L3.2	378	358
L3.3	358	338
L2.1	398	378
L2.2	378	358
L2.3	358	338
L1.1	398	378
L1.2	378	358
L1.3	358	338
N.1	398	378
N.2	378	358
N.3	358	338

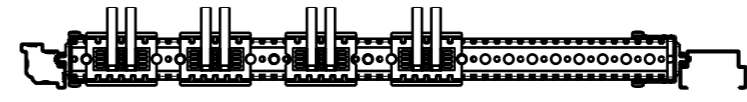
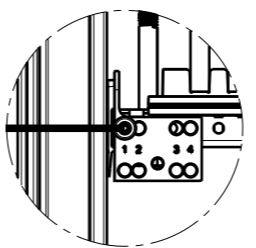
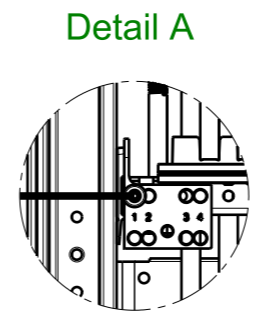
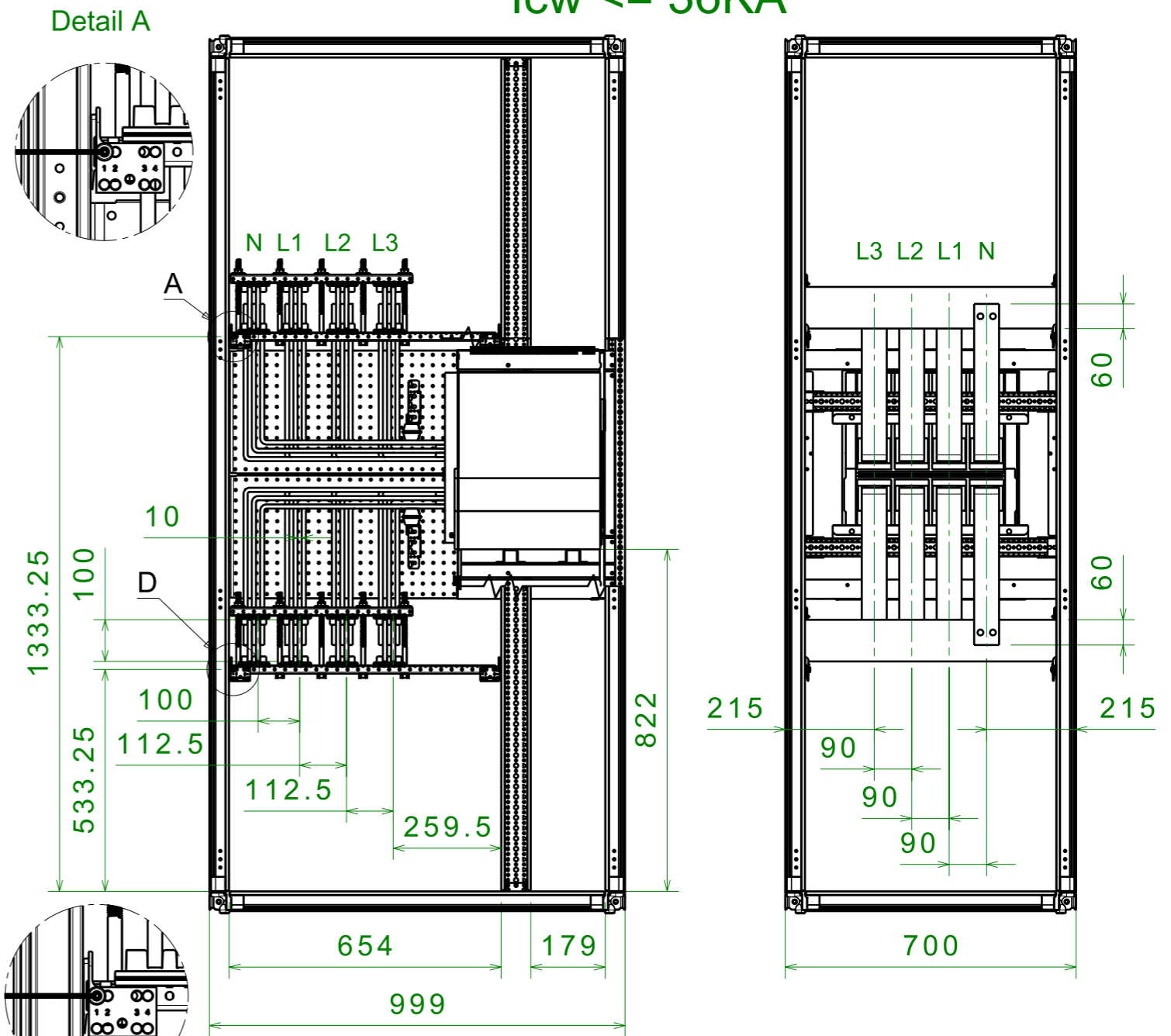
AGG. DI SEGNO	SCALA SCALE : 1:4	N° PROGETTO : PROJECT XXX.XX
DESIGNER	DISEGNATORE DESIGNER	ABB SACE ADB
APPROVAZIONE	APPROVAZIONE APPROVAL	DENOMINAZIONE/NAME: E2.2 2500A W CONNECTION BUSBARS 3x60x10xP_L
DATA	DATA DATE : xx-xx-xx	Formato A3 Formed
		DISEGNO N° /DRAWING N° 8 6 3 6 8 7

ASSEMBLY DRAWING
E2.2 2500A W
Icw > 36KA



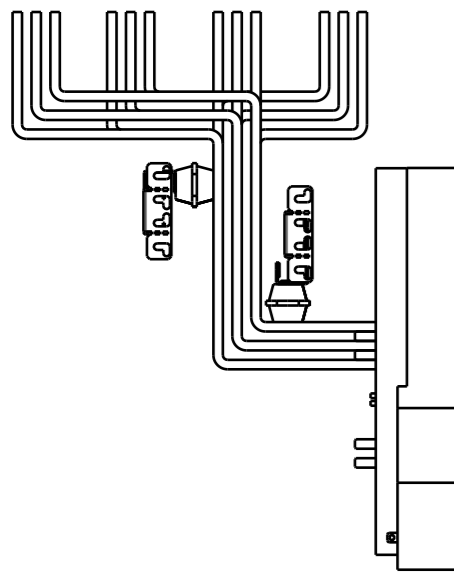
CONNECTION BUSBARS 3x60x10xP

ASSEMBLY DRAWING
E2.2 2500A W
Icw <= 36KA



SCALA SCALE	: 1:14	N° PROGETTO : PROJECT	XXX.XX
DISSEGNAZIONE DESIGNER	:	ABB SACE ADB	
APPROVAZIONE APPROVAL	:	DENOMINAZIONE/NAME:	
DATA DATE	: XX-XX-XX	E2.2 2500A W CONNECTION BUSBARS 3x60x10xP	
FORMATO FORMED	Formato A3 Formed	DISEGNO N° /DRAWING N° 8 6 3 6 8 6	

Questo disegno e' di esclusiva proprieta' di ABB SACE ADB. Ne e' vietata la riproduzione a termini di legge.



**MAIN
BUSBARS
UP**

	B	
	H MAIN BUSBARS	
	80	100
L3.1	378	378
L3.2	358	358
L3.3	338	338
L2.1	378	378
L2.2	358	358
L2.3	338	338
L1.1	378	378
L1.2	358	358
L1.3	338	338
N.1	378	378
N.2	358	358
N.3	338	338

CONNECTIONS FOR E2.2 WITHDRAWABLE 2500A

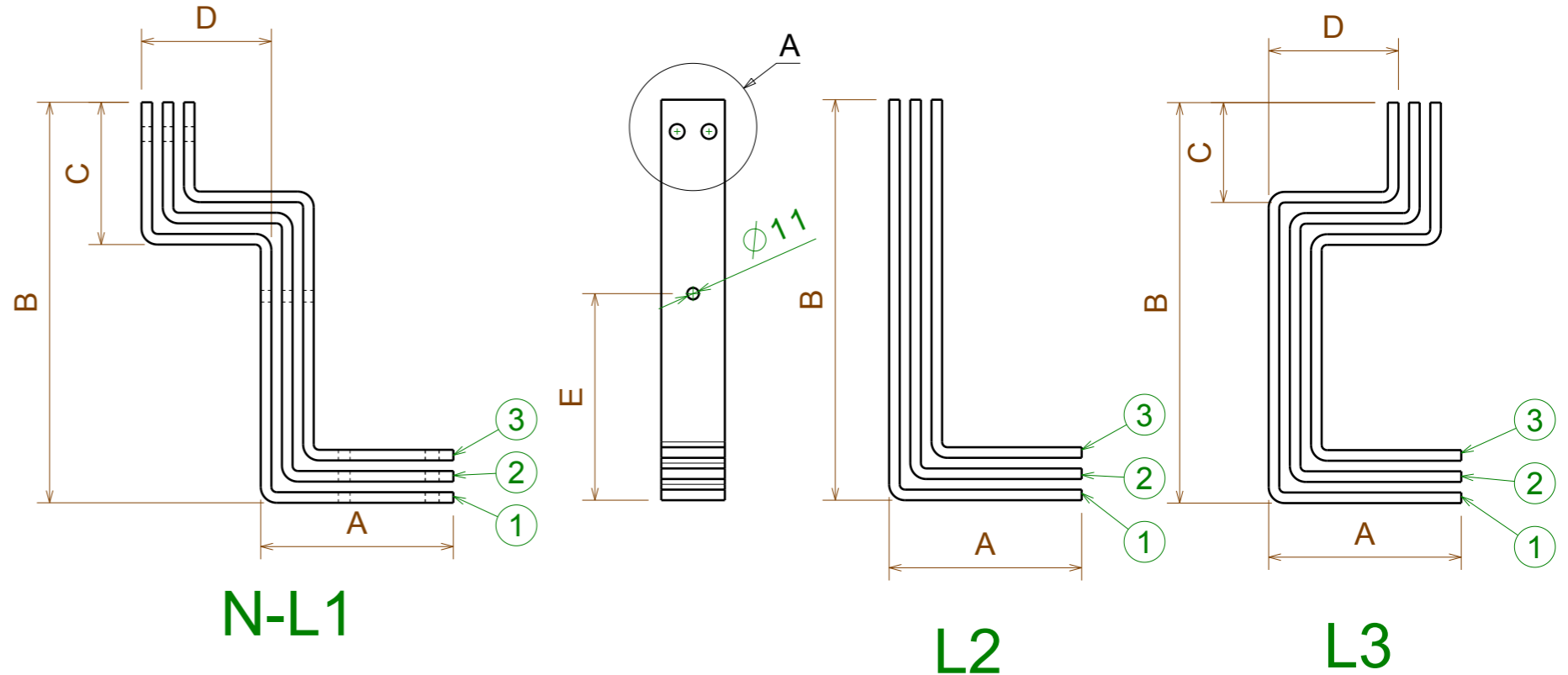
Icw > 36KA

SPEP P = 900mm

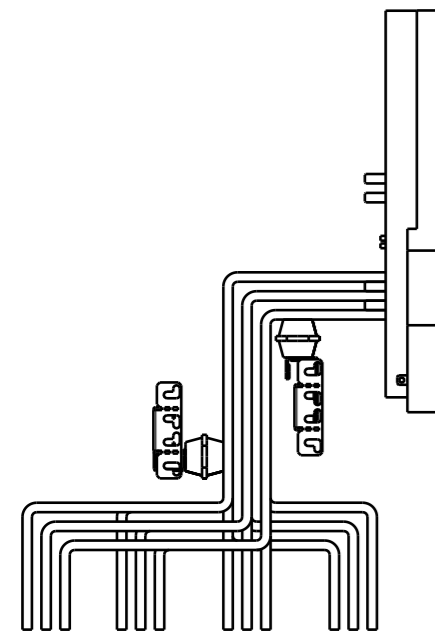
BUSBARS HOLDER PBHB2145 (75mm)

MAIN BUSBARS IP30 / IP31 : 2500A (2x80x10); 3200A (2x100x10)

MAIN BUSBARS IP40 / IP41 / IP65 : 2500A (2x100x10)

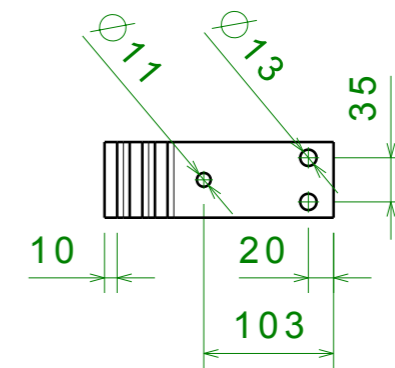
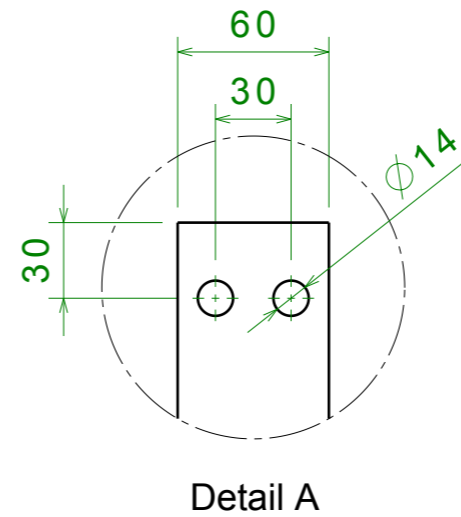


PHASE	POS	A	C	D	E	
L3	1	L3.1	181.75	94.25	122.5	195
	2	L3.2	161.75	114.25	122.5	175
	3	L3.3	141.75	134.25	122.5	155
L2	1	L2.1	181.75	-	-	195
	2	L2.2	161.75	-	-	175
	3	L2.3	141.75	-	-	155
L1	1	L1.1	181.75	134.25	122.5	195
	2	L1.2	161.75	114.25	122.5	175
	3	L1.3	141.75	94.25	122.5	155
N	1	N.1	181.75	134.25	222.5	195
	2	N.2	161.75	114.25	222.5	175
	3	N.3	141.75	94.25	222.5	155



**MAIN
BUSBARS
DOWN**

	B	
	H MAIN BUSBARS	
	80	100
L3.1	398	378
L3.2	378	358
L3.3	358	338
L2.1	398	378
L2.2	378	358
L2.3	358	338
L1.1	398	378
L1.2	378	358
L1.3	358	338
N.1	398	378
N.2	378	358
N.3	358	338

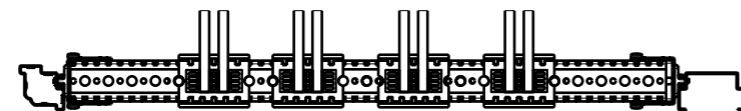
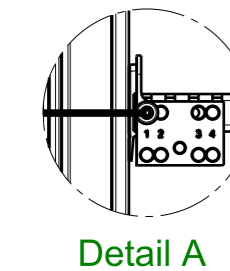
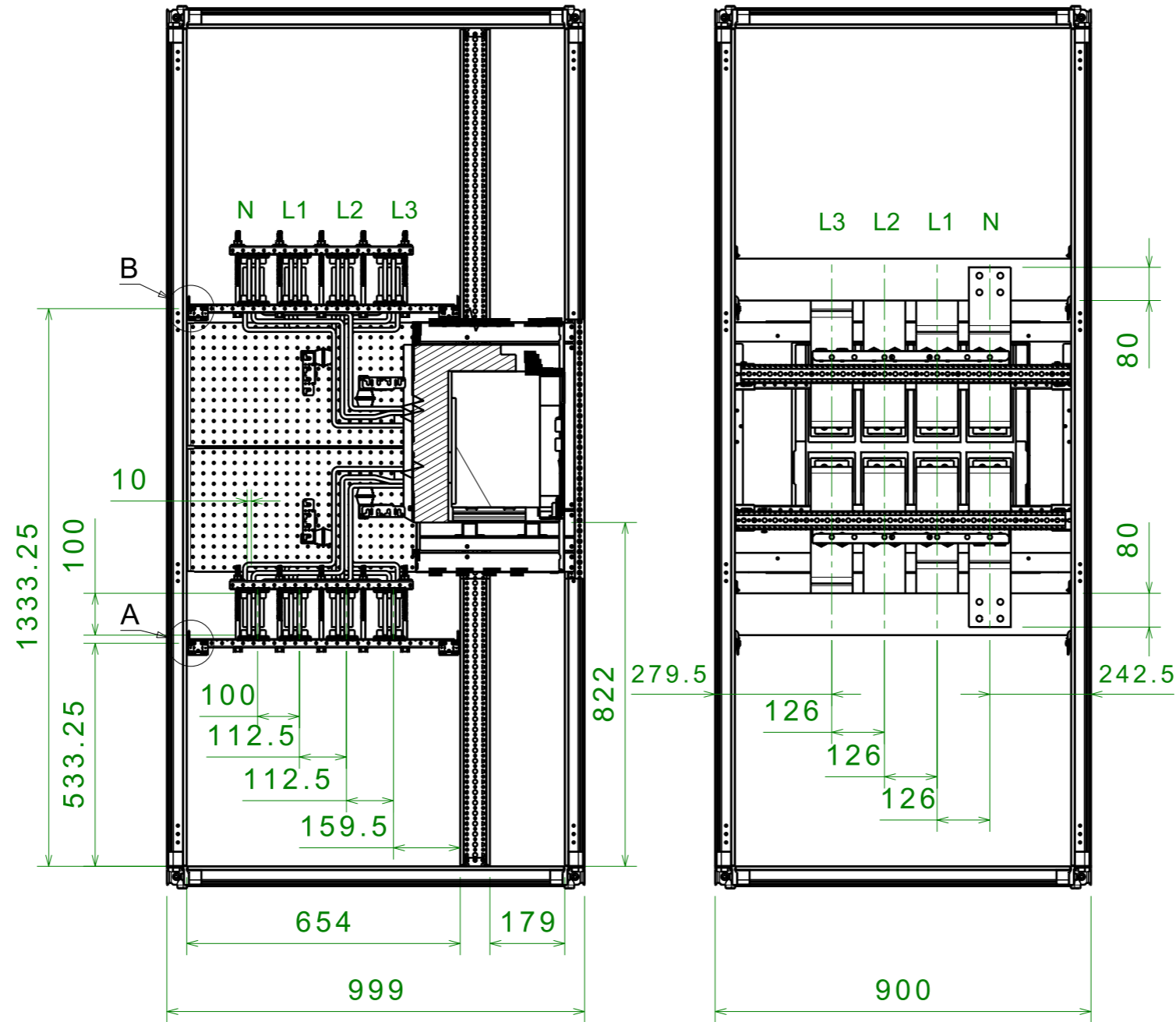
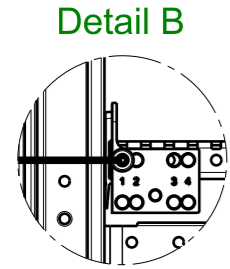


AGG. DI SEGNO	SCALA SCALE	: 1:8	N° PROGETTO : PROJECT	XXX.XX
DESIGNER	DISEGNATORE DESIGNER	:	ABB SACE ADB	
APPROVAZIONE	APPROVAZIONE	:	DISEGNO N° /DRAWING N°	
DATE	DATA DATE	: xx-xx-xx	E2.2 2500A W CONNECTION BUSBARS 3x60x10xP	
FORMATO	FORMATO	Formato A3 Formed	8 6 3 6 8 8	

ASSEMBLY DRAWING

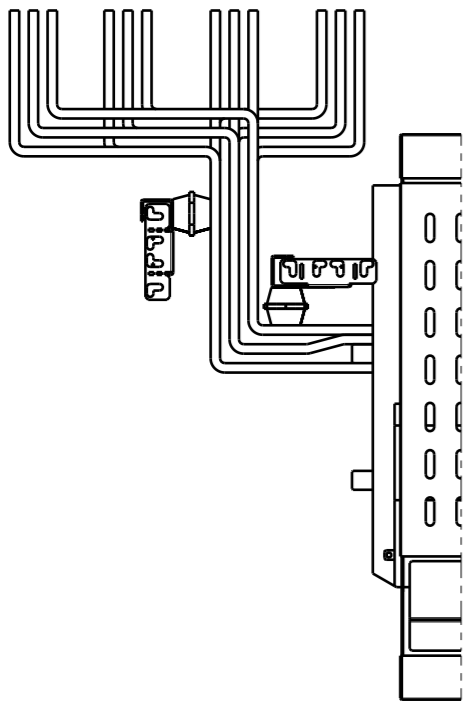
E4.2 3200A W

Icw > 36KA



CONNECTION BUSBARS 3x100x10xP

SCALA SCALE	: 1:14	N° PROGETTO : PROJECT	XXX.XX
DISEGNATORE DESIGNER	:	ABB SACE ADB	
APPROVAZIONE APPROVAL	:		
DATA DATE	: XX-XX-XX	DENOMINAZIONE/NAME:	
FORMATO FORMED	Formato A3 Formed	E4.2 3200A W CONNECTION BUSBARS 3x100x10xP	
DISEGNO N° /DRAWING N°			8 6 3 6 9 5



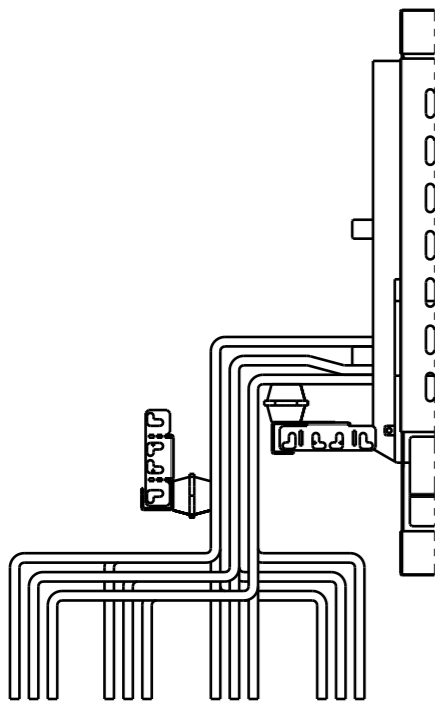
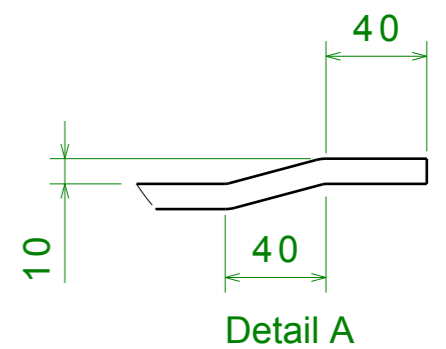
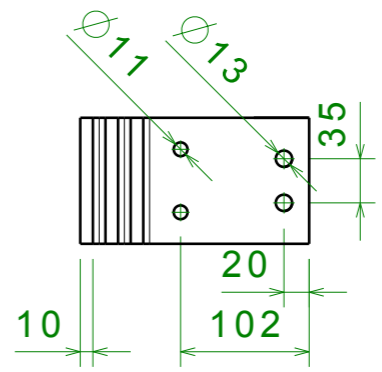
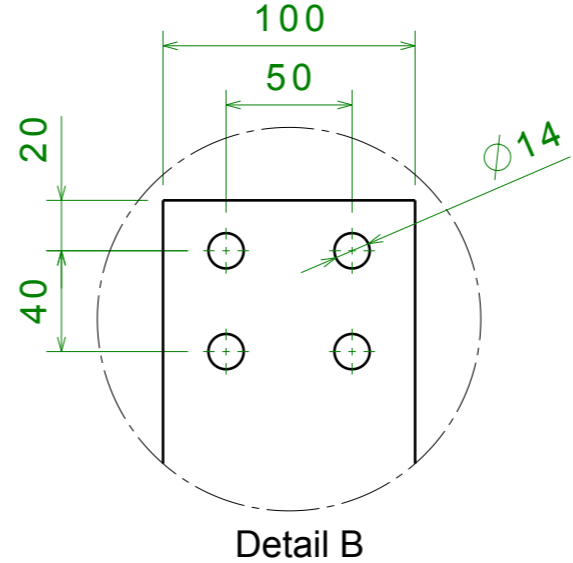
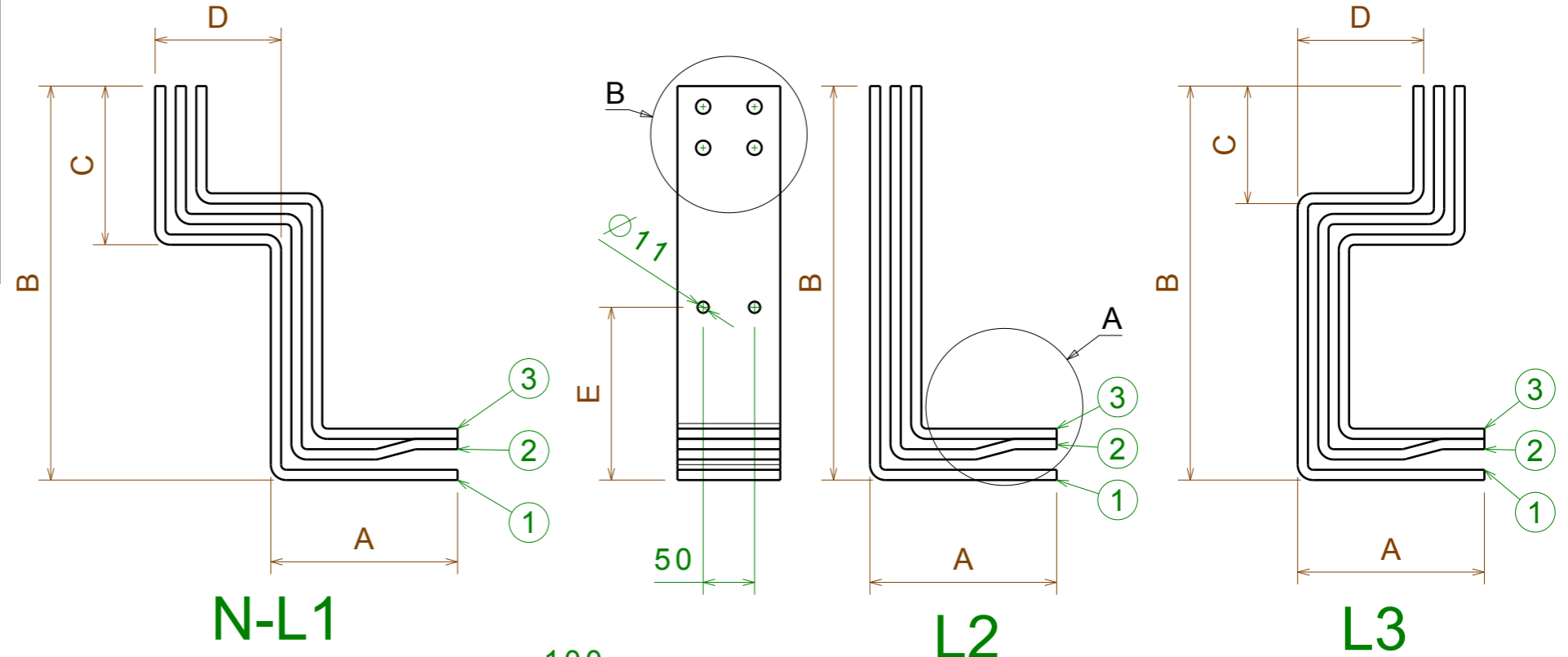
**MAIN
BUSBARS
UP**

CONNECTIONS FOR E4.2 WITHDRAWABLE 3200A

I_{cw} > 36KA

SPEP P = 900mm
 BUSBARS HOLDER PBHB2145 (75mm)
 MAIN BUSBAR IP30 / IP31 : 3200A (2x100x10)

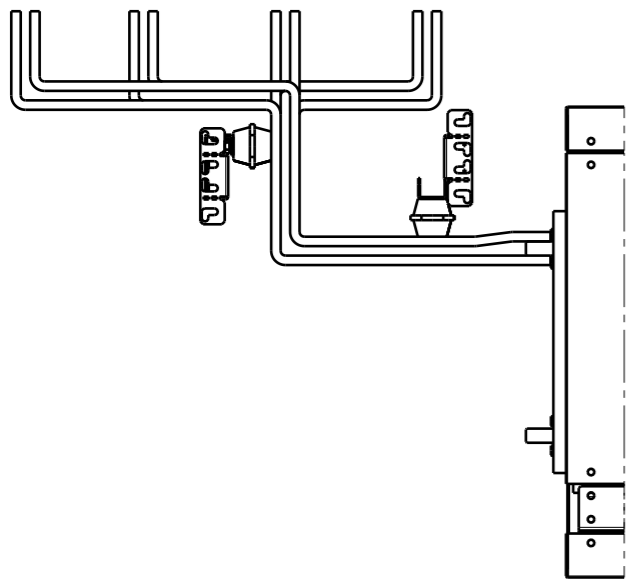
PHASE	POS	A	B	C	D	E
L3	1 L3.1	181.6	383	114.25	122.5	168
	2 L3.2	161.6	363	134.25	122.5	138
	3 L3.3	141.6	343	154.25	122.5	128
L2	1 L2.1	181.6	383	-	-	168
	2 L2.2	161.6	363	-	-	138
	3 L2.3	141.6	343	-	-	128
L1	1 L1.1	181.6	383	154.25	122.5	168
	2 L1.2	161.6	363	134.25	122.5	138
	3 L1.3	141.6	343	114.25	122.5	128
N	1 N.1	181.6	383	154.25	222.5	168
	2 N.2	161.6	363	134.25	222.5	138
	3 N.3	141.6	343	114.25	222.5	128



**MAIN
BUSBARS
DOWN**

AGG. DI SEGNO	SCALA SCALE : 1:6	N° PROGETTO PROJECT : XXX.XX
DISEGNATORE DESIGNER	APPROVAZIONE APPROVAL	ABB ABB SACE ADB
MODIFICA	DATA DATE : xx-xx-xx	DENOMINAZIONE/NAME : E4.2 3200A W CONNECTION BUSBARS 3x100x10xP
DATA	Formato A3 Formed	DISEGNO N° /DRAWING N° : 8 6 3 6 9 6

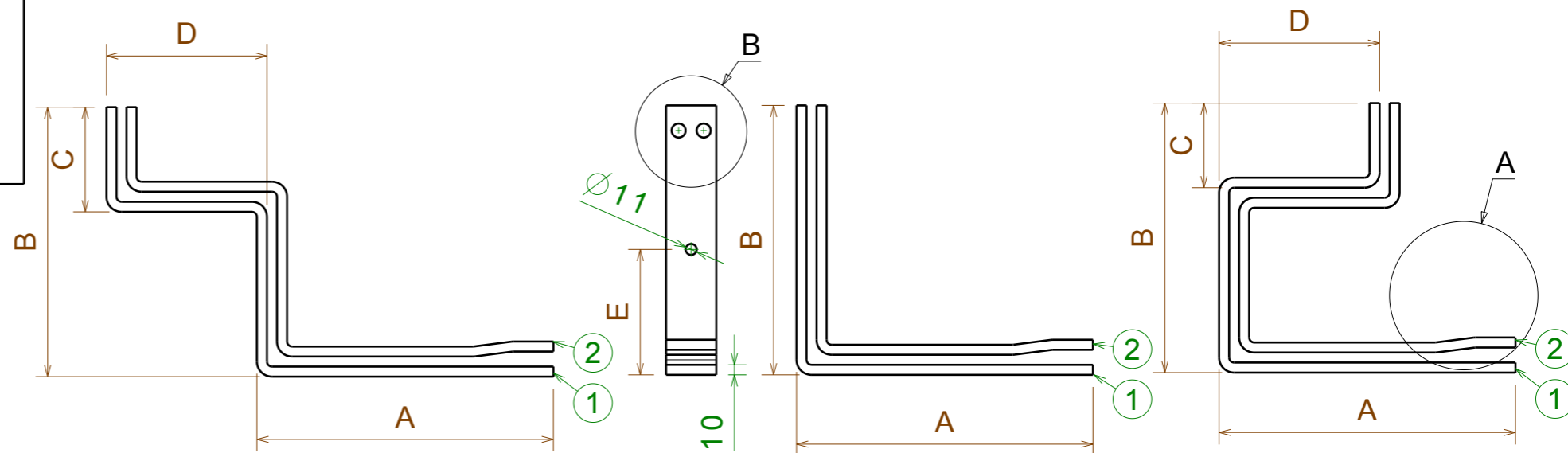
Questo disegno e' di esclusiva proprieta' di ABB SACE ADB. Ne e' vietata la riproduzione e termini di legge



MAIN
BUSBARS
UP

CONNECTIONS FOR E1.2 WITHDRAWABLE 1000A/1250A/1600A

SPEP P = 900mm
 BUSBARS HOLDER PBHB3121 (100mm)
 MAIN BUSBAR IP30 / IP31 : 4000A (3x100x10)
 MAIN BUSBAR IP40 / IP41 / IP65 : 3200A (3x100x10)

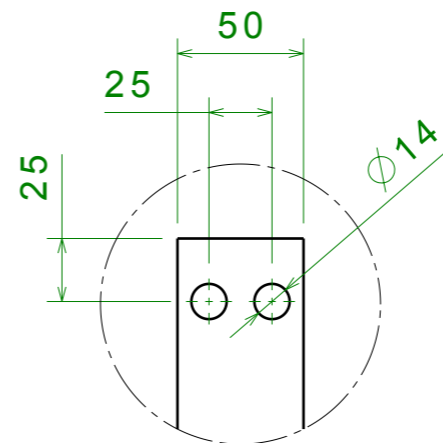


N-L1

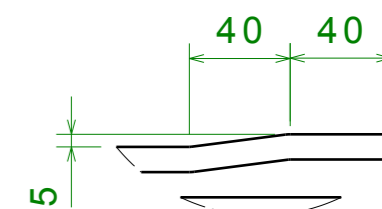
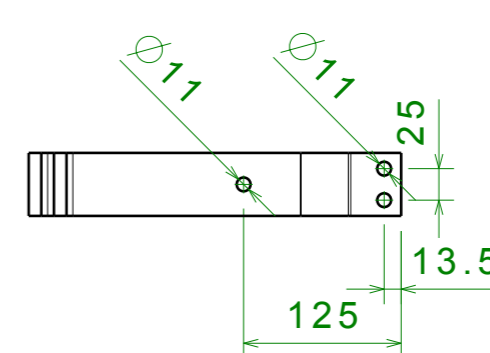
L2

L3

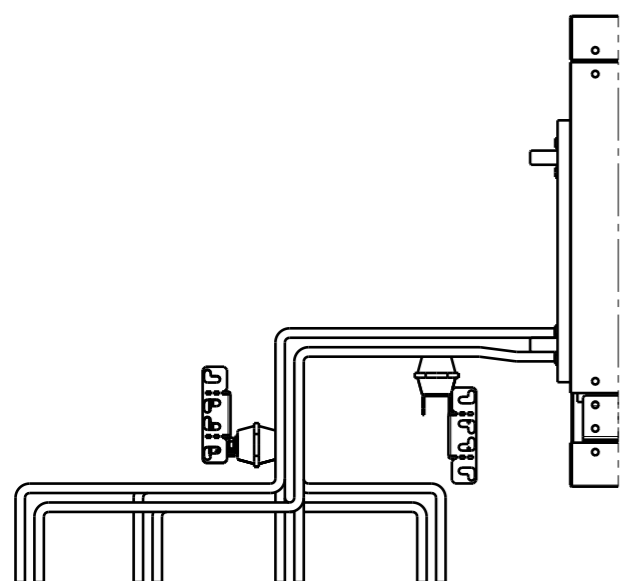
PHASE	POS	A	B	C	D	E
L3	1 L3.1	295.5	268.5	84.25	160	125
	2 L3.2	275.5	248.5	104.25	160	105
L2	1 L2.1	295.5	268.5	-	-	125
	2 L2.2	275.5	248.5	-	-	105
L1	1 L1.1	295.5	268.5	104.25	160	125
	2 L1.2	275.5	248.5	84.25	160	105
N	1 N.1	295.5	268.5	104.25	285	125
	2 N.2	275.5	248.5	84.25	285	105



Detail B

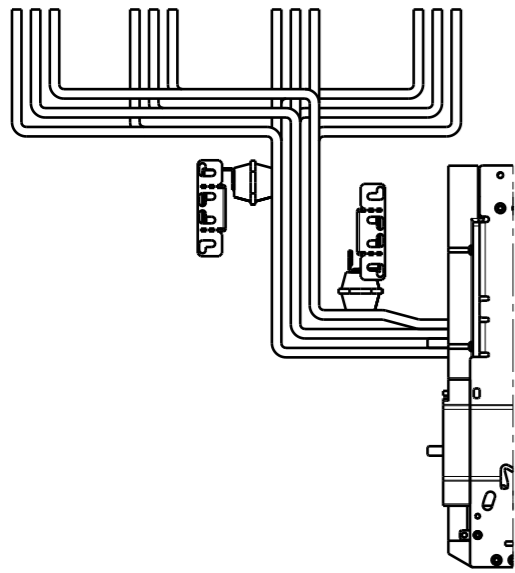


Detail A



MAIN
BUSBARS
DOWN

AGG. DI SEGNO	SCALA SCALE	
DISEGNATORE DESIGNER		N° PROGETTO : PROJECT XXX.XX
APPROVAZIONE APPROVAL		ABB ABB SACE ADB
DATA DATE	: xx-xx-xx	DENOMINAZIONE/NAME: E1.2 1000A/1250A/1600A W CONNECTION BUSBARS 2x50x10xP
FORMATO FORMED	Formato A3 Formed	DISEGNO N° /DRAWING N° 8 6 3 7 1 7

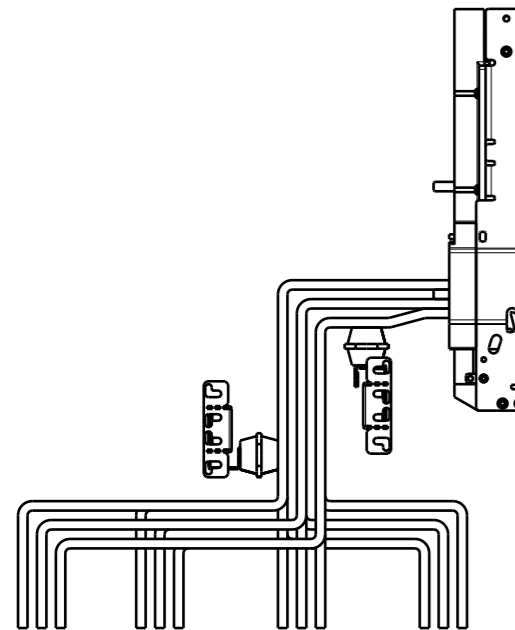
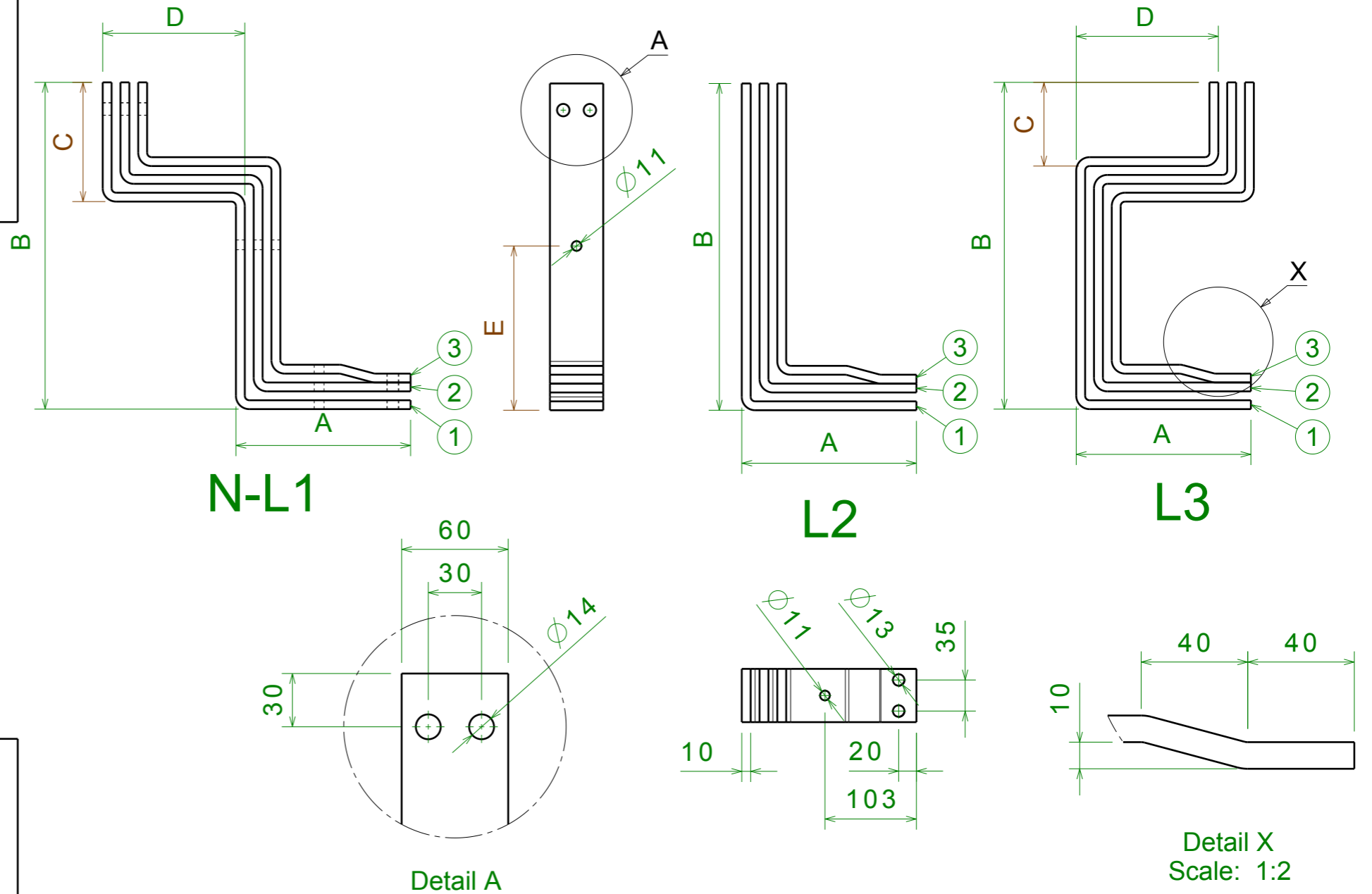


**MAIN
BUSBARS
UP**

CONNECTIONS FOR E2.2 WITHDRAWABLE 2000A

SPEP P = 900mm
 BUSBARS HOLDER PBHB3121 (100mm)
 MAIN BUSBAR IP30 / IP31 : 4000A (3x100x10)
 MAIN BUSBAR IP40 / IP41 / IP65 : 3200A (3x100x10);

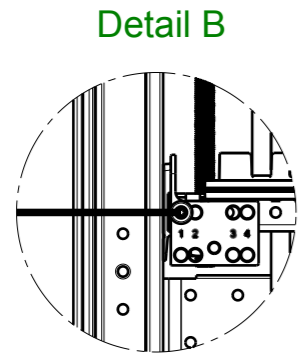
PHASE	POS	A	B	C	D	E
L3	1 L3.1	196.65	368	94.25	160	185
	2 L3.2	176.65	348	114.25	160	165
	3 L3.3	156.65	338	134.25	160	155
L2	1 L2.1	196.65	368	-	-	185
	2 L2.2	176.65	348	-	-	165
	3 L2.3	156.65	338	-	-	155
L1	1 L1.1	196.65	368	134.25	160	185
	2 L1.2	176.65	348	114.25	160	165
	3 L1.3	156.65	338	94.25	160	155
N	1 N.1	196.65	368	134.25	285	185
	2 N.2	176.65	348	114.25	285	165
	3 N.3	156.65	338	94.25	285	155



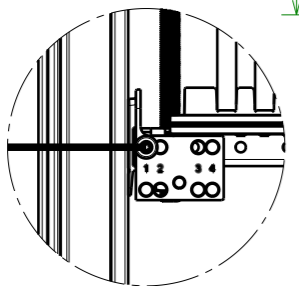
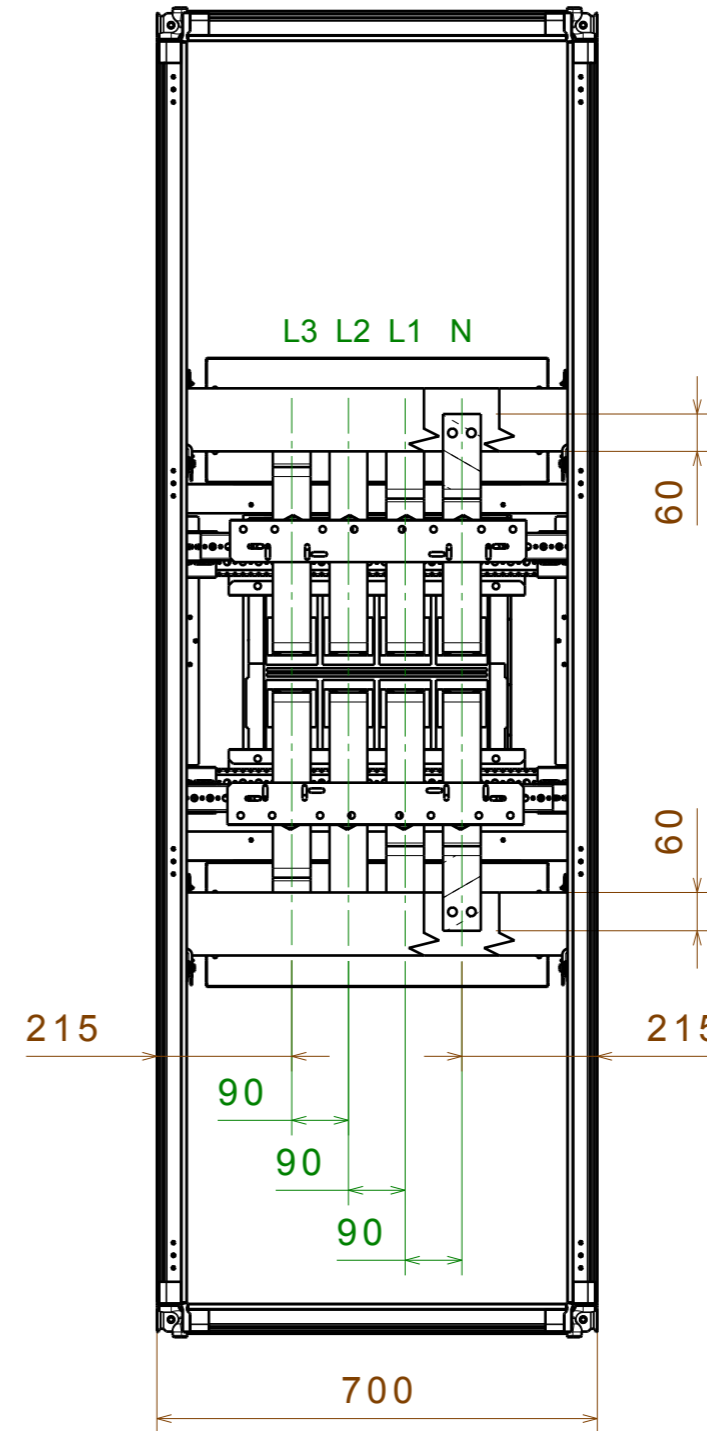
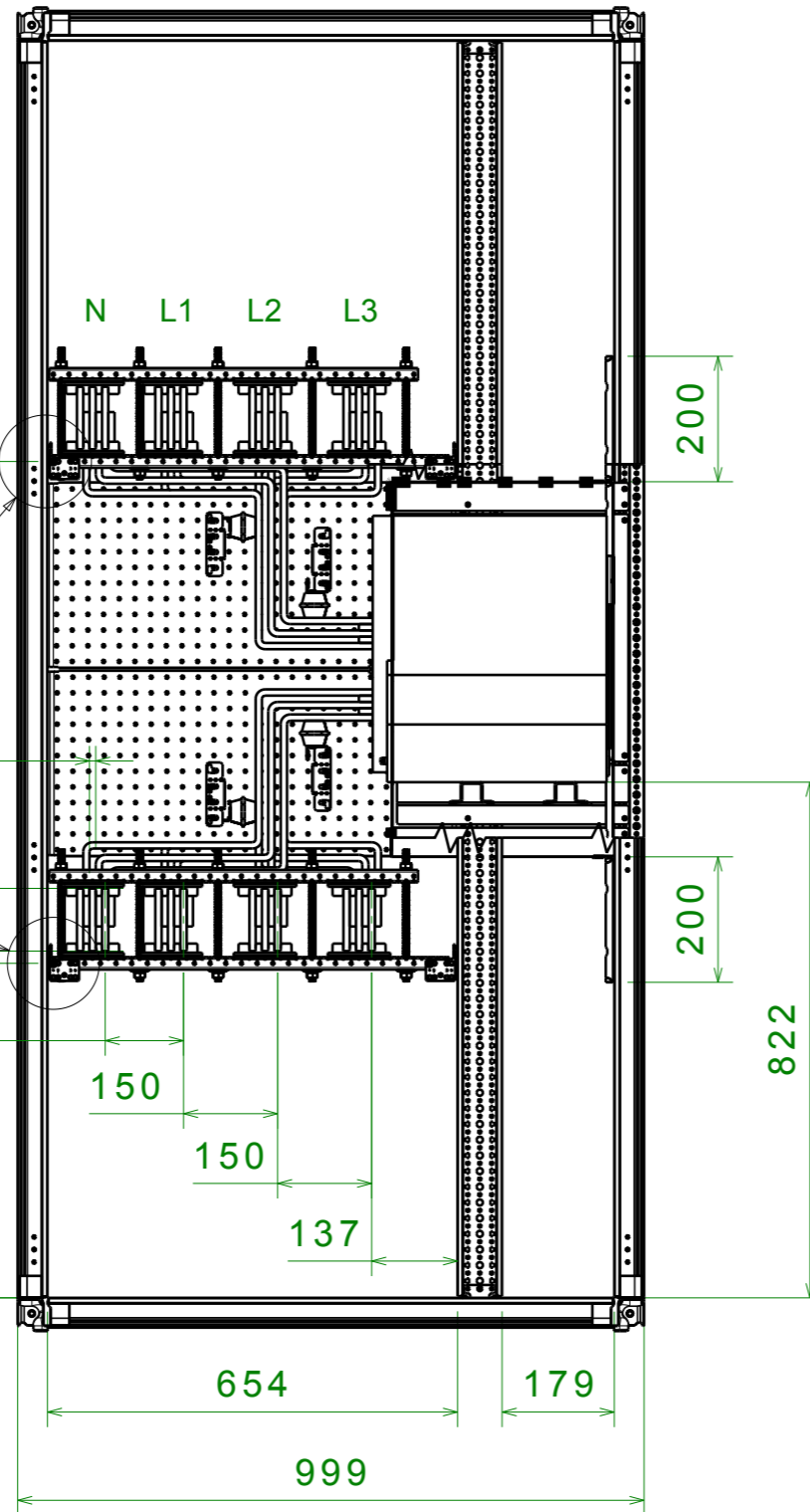
**MAIN
BUSBARS
DOWN**

AGG. DI SEGNO	SCALA SCALE	: 1:6	N° PROGETTO : PROJECT	XXX.XX
DESIGNER	DISEGNATORE DESIGNER	:	ABB SACE ADB	
APPROVAZIONE	APPROVAZIONE	:	DISEGNO N° /DRAWING N°	
DATE	DATE	: xx-xx-xx	E2.2 2000A W CONNECTION BUSBARS 3x60x10xP	
FORMATO	FORMATO	A3 Formed	8 6 3 7 0 5	

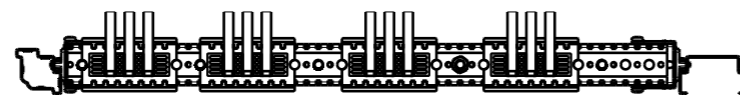
ASSEMBLY DRAWING E2.2 2500A W ALIM BUSBARS 3x100x10P



Detail B

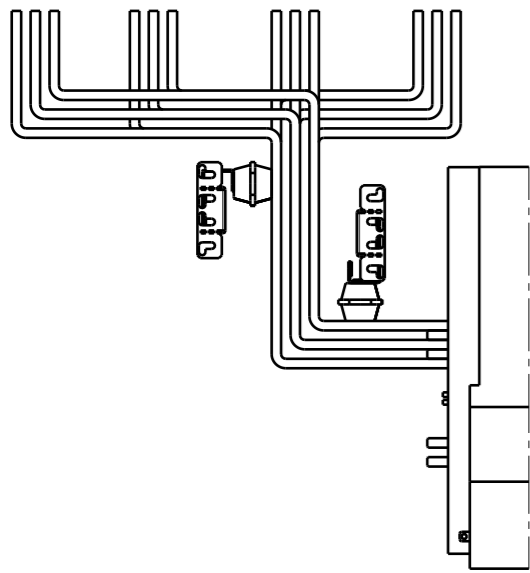


Detail E



CONNECTION BUSBARS 3x60x10P

		AGG. DI SEGNO	SCALA SCALE : 1:14		
			DISEGNATORE DESIGNER :	N° PROGETTO : XXX.XX PROJECT	
		MODIFICA	APPROVAZIONE : APPROVAL	ABB ABB SACE ADB	
			DATA DATE : xx-xx-xx	DENOMINAZIONE/NAME: E2.2 2500A W CONNECTION BUSBARS 3x60x10xP	
		DATA	Formato A3 Formed	DISEGNO N° /DRAWING N° 8 6 3 7 0 1	



**MAIN
BUSBARS
UP**

CONNECTIONS FOR E2.2 WITHDRAWABLE 2500A

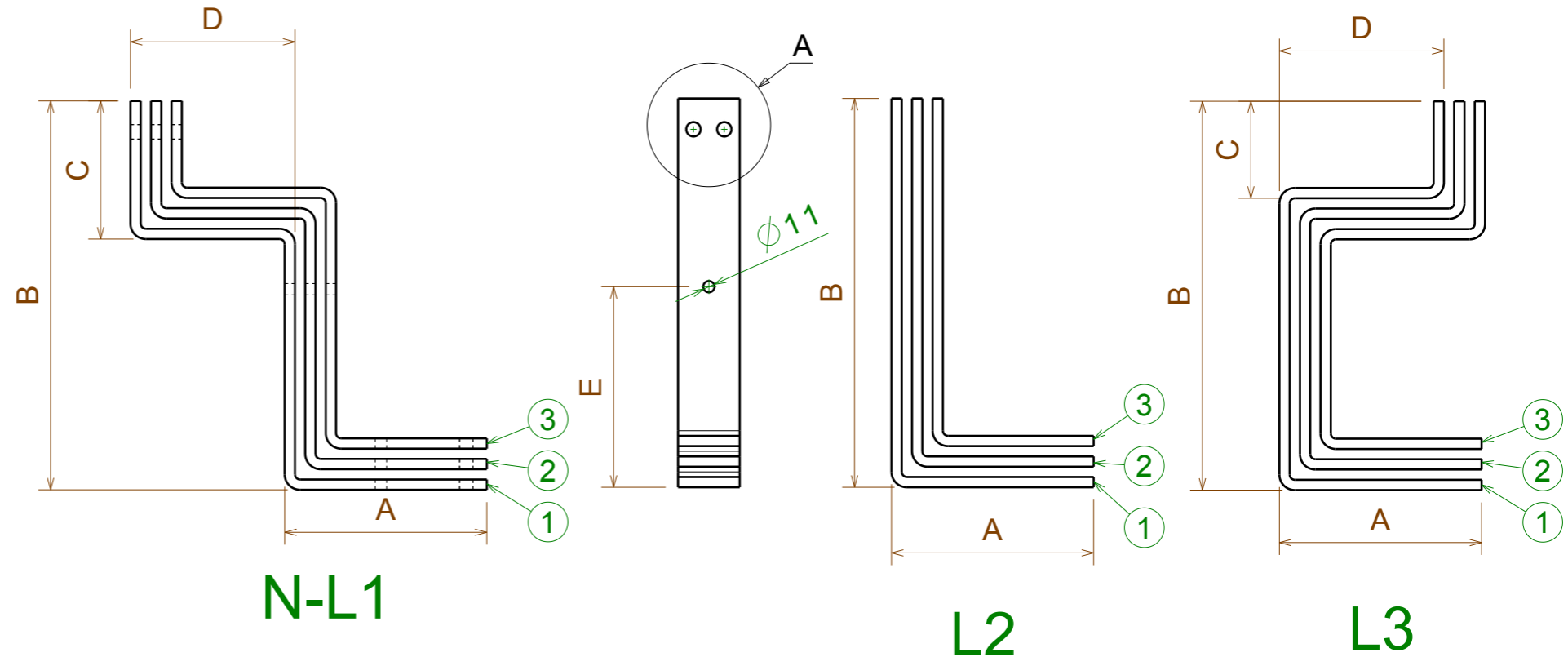
I_{cw} ≤ 36KA

SPEP P = 900mm

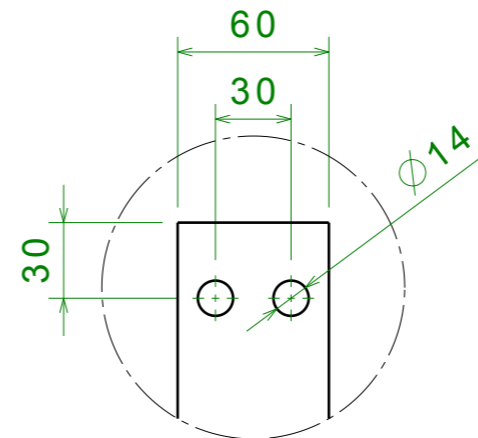
BUSBARS HOLDER PBHB3121 (100mm)

MAIN BUSBAR IP30 / IP31 : 4000A (3x100x10)

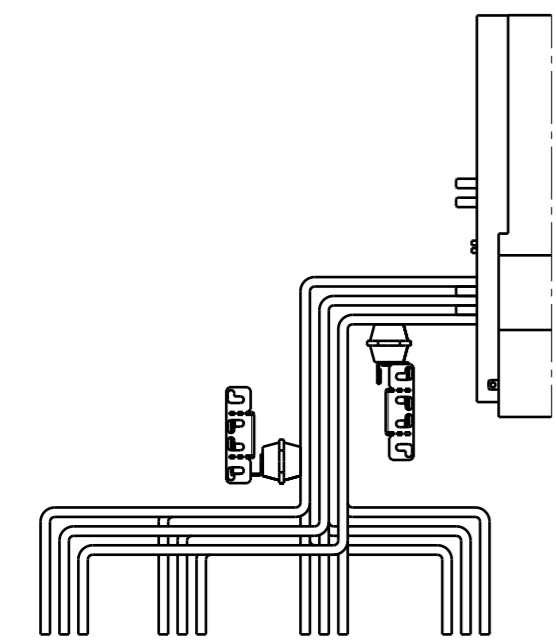
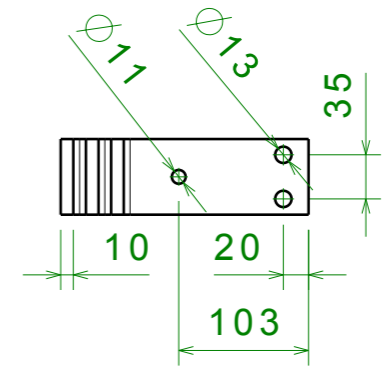
MAIN BUSBAR IP40 / IP41 / IP65 : 3200A (3x100x10);



PHASE	POS	A	B	C	D	E
L3	1 L3.1	196.65	378	94.25	160	195
	2 L3.2	176.65	358	114.25	160	175
	3 L3.3	156.65	338	134.25	160	155
L2	1 L2.1	196.65	378	-	-	195
	2 L2.2	176.65	358	-	-	175
	3 L2.3	156.65	338	-	-	155
L1	1 L1.1	196.65	378	134.25	160	195
	2 L1.2	176.65	358	114.25	160	175
	3 L1.3	156.65	338	94.25	160	155
N	1 N.1	196.65	378	134.25	285	195
	2 N.2	176.65	358	114.25	285	175
	3 N.3	156.65	338	94.25	285	155



Detail A

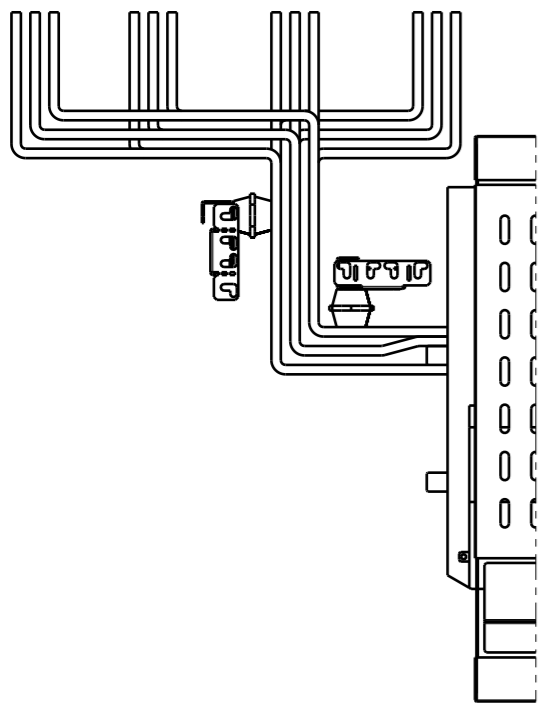


**MAIN
BUSBARS
DOWN**

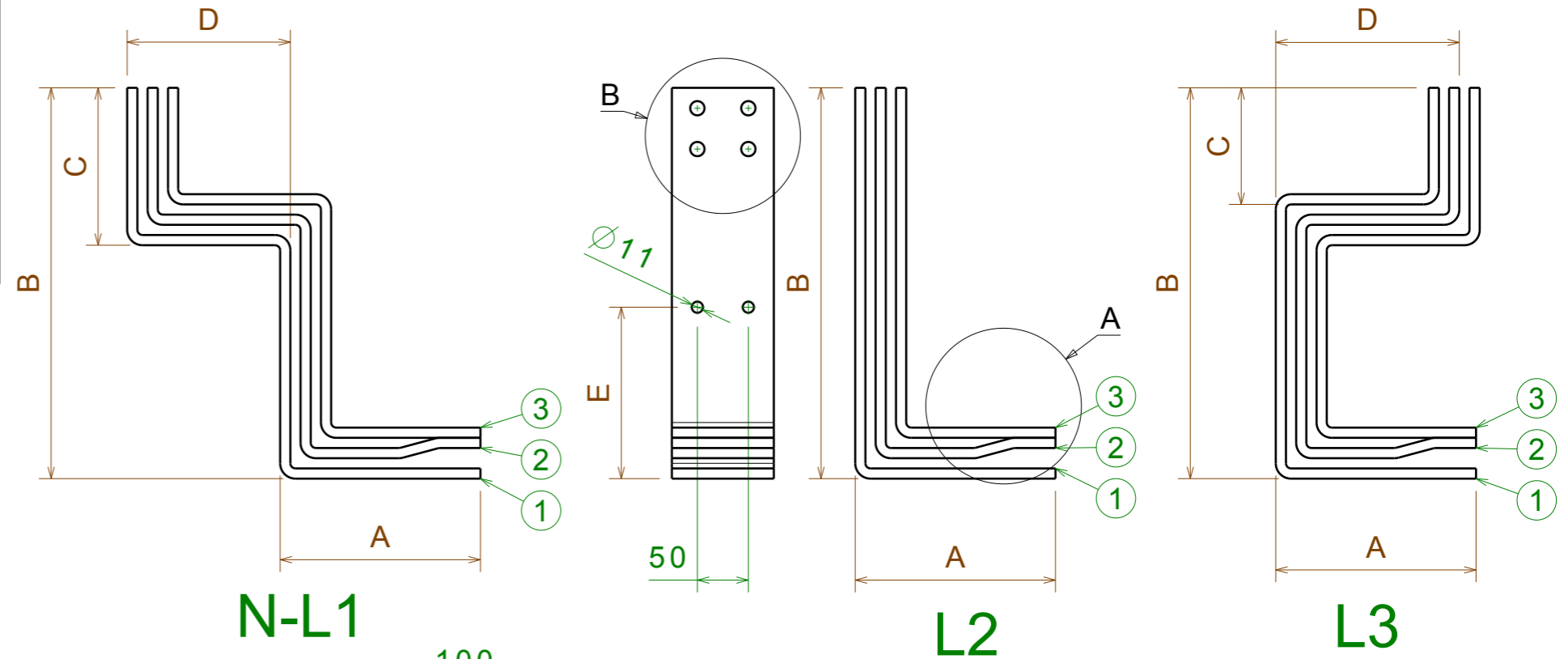
AGG. DI SEGNO	SCALA SCALE	: 1:8	N° PROGETTO : PROJECT	XXX.XX
DESIGNER	DISEGNATORE DESIGNER	:	ABB SACE ADB	
APPROVAZIONE	APPROVAZIONE	:	DISEGNO N° / DRAWING N°	
DATE	DATE	: xx-xx-xx	E2.2 2500A W CONNECTION BUSBARS 3x60x10xP	
FORMATO	FORMATO	Formato A3 Formed	8 6 3 7 0 2	

CONNECTIONS FOR E4.2 WITHDRAWABLE 3200A

SPEP P = 900mm
 BUSBARS HOLDER PBHB3121 (100mm)
 MAIN BUSBAR IP30 / IP31 : 4000A (3x100x10)
 MAIN BUSBAR IP40 / IP41 / IP65 : 3200A (3x100x10)



MAIN
BUSBARS
UP

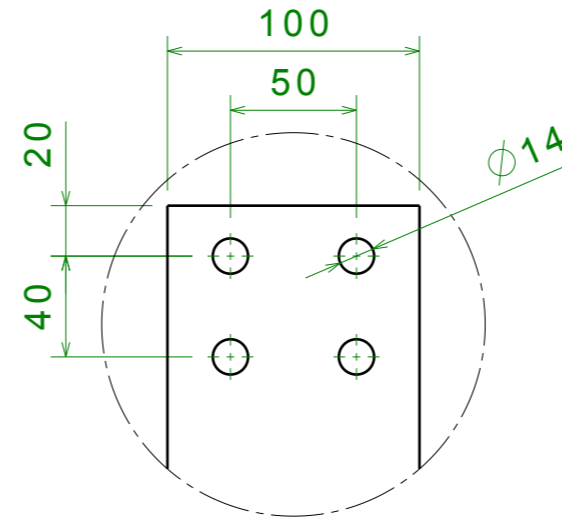


PHASE	POS	A	B	C	D	E
L3	1 L3.1	196.4	383	114.25	160	168
	2 L3.2	176.4	363	134.25	160	148
	3 L3.3	156.4	343	154.25	160	128
L2	1 L2.1	196.4	383	-	-	168
	2 L2.2	176.4	363	-	-	148
	3 L2.3	156.4	343	-	-	128
L1	1 L1.1	196.4	383	154.25	160	168
	2 L1.2	176.4	363	134.25	160	148
	3 L1.3	156.4	343	114.25	160	128
N	1 N.1	196.4	383	154.25	285	168
	2 N.2	176.4	363	134.25	285	148
	3 N.3	156.4	343	114.25	285	128

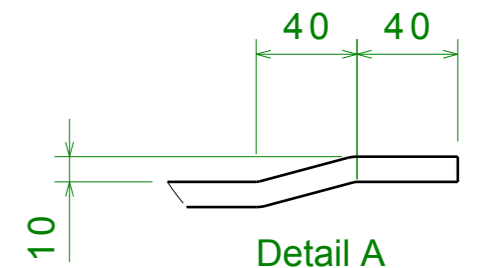
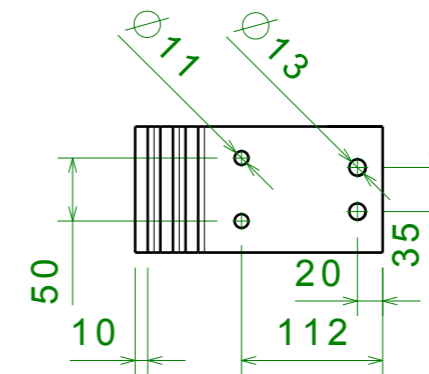
N-L1

L2

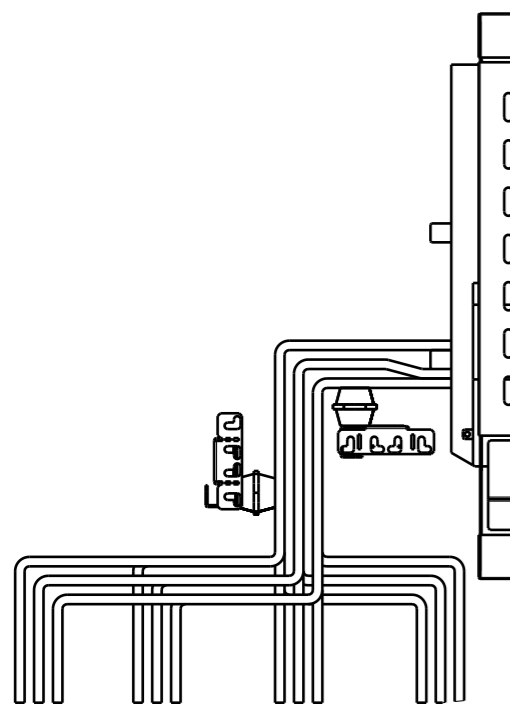
L3



Detail B



Detail A

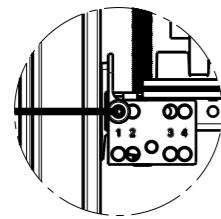
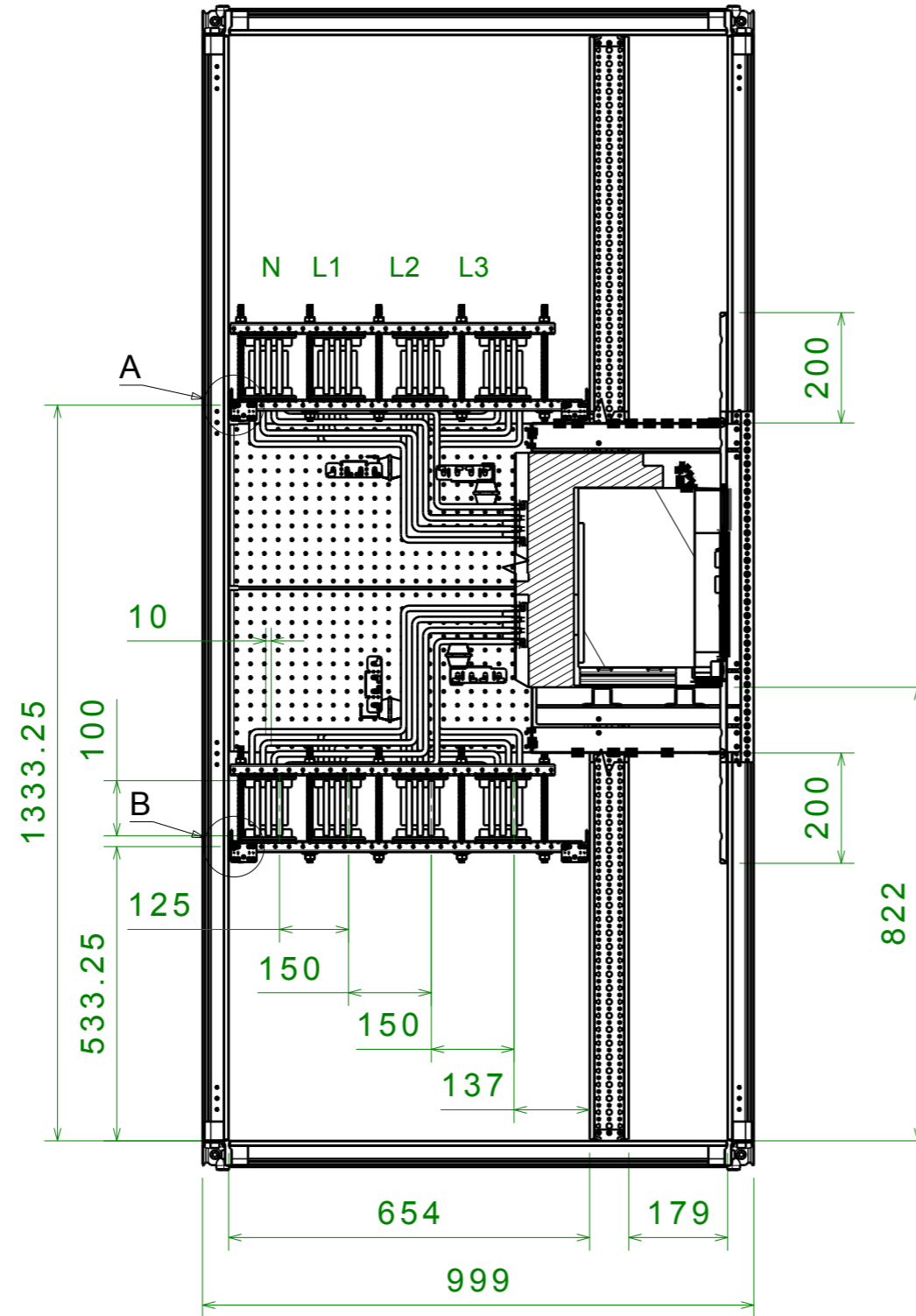
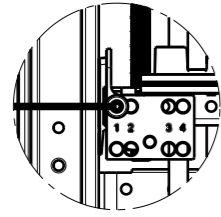


MAIN
BUSBARS
DOWN

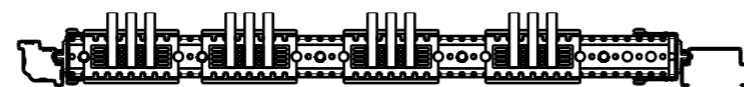
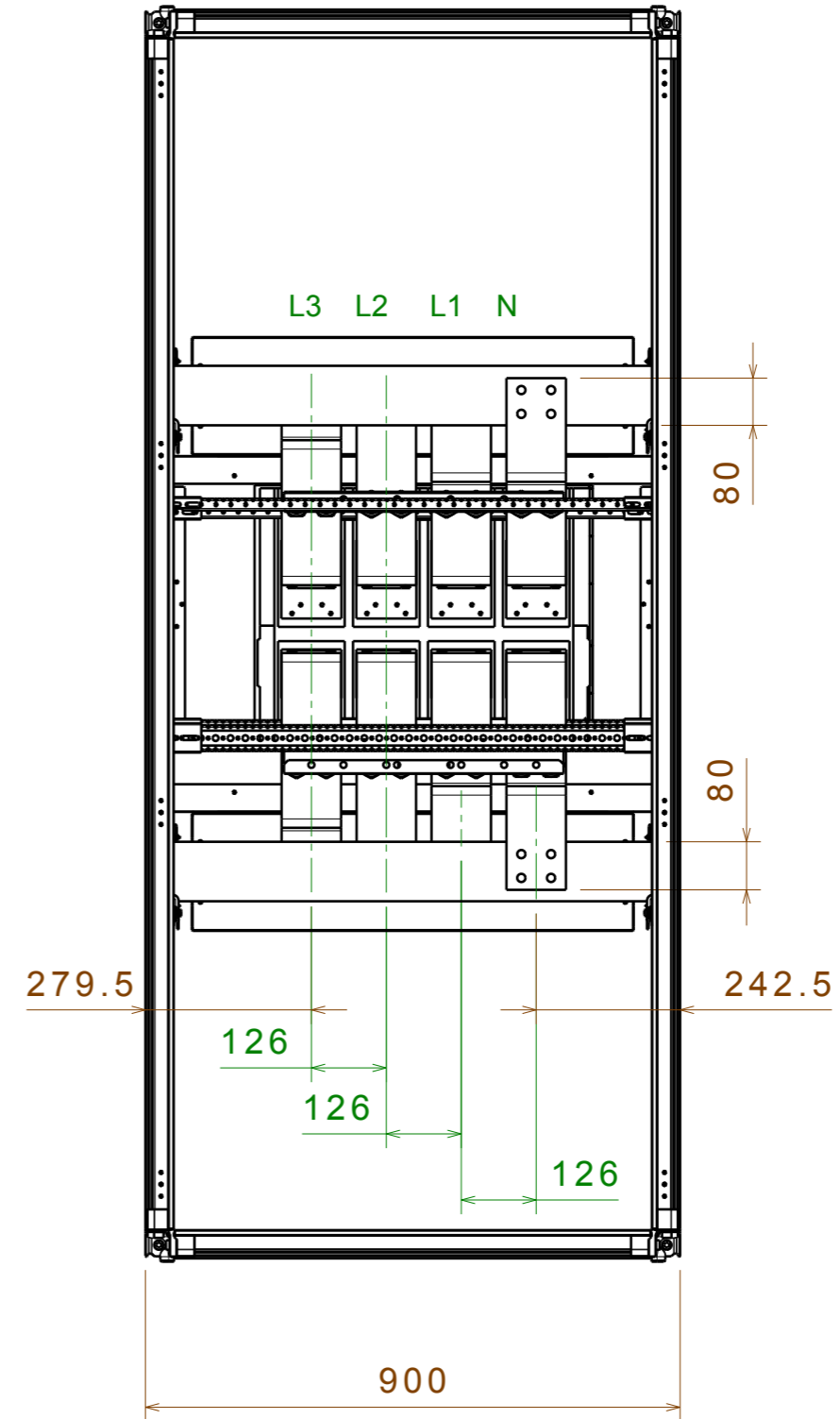
AGG. DI SEGNO	SCALA SCALE : 1:6	N° PROGETTO PROJECT : XXX.XX
DISEGNATORE DESIGNER	APPROVAZIONE APPROVAL	ABB ABB SACE ADB
MODIFICA	DATA DATE : xx-xx-xx	DENOMINAZIONE/NAME : E4.2 3200A W CONNECTION BUSBARS 3x100x10xP
DATA	Formato A3 Formed	DISEGNO N° /DRAWING N° : 8 6 3 6 9 9

ASSEMBLY DRAWING E4.2 4000A W MAIN BUSBARS 3x100x10xP

Detail A

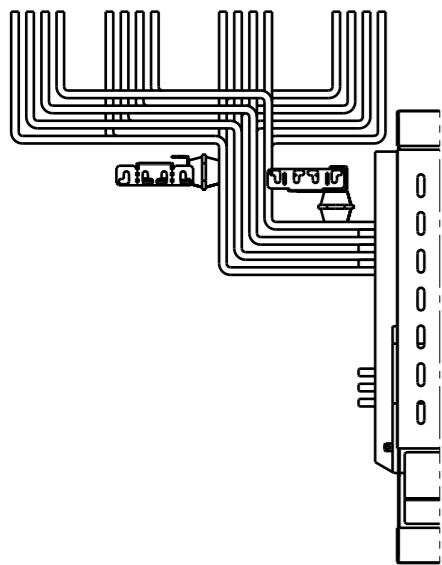


Detail B



CONNECTION BUSBARS 4x100x10xP

AGG. DI SEGNO	SCALA SCALE	: 1:12	N° PROGETTO : PROJECT	XXX.XX
MODIFICA	DISEGNATORE DESIGNER	:	ABB ABB SACE ADB	
	APPROVAZIONE APPROVAL	:		
DATA	DATA DATE	: xx-xx-xx	DISEGNO N° /DRAWING N°	
	FORMATO FORMED	Formato A3 Formed	E4.2 4000A W CONNECTION BUSBARS 4x100x10xP	
			8 6 3 6 9 2	

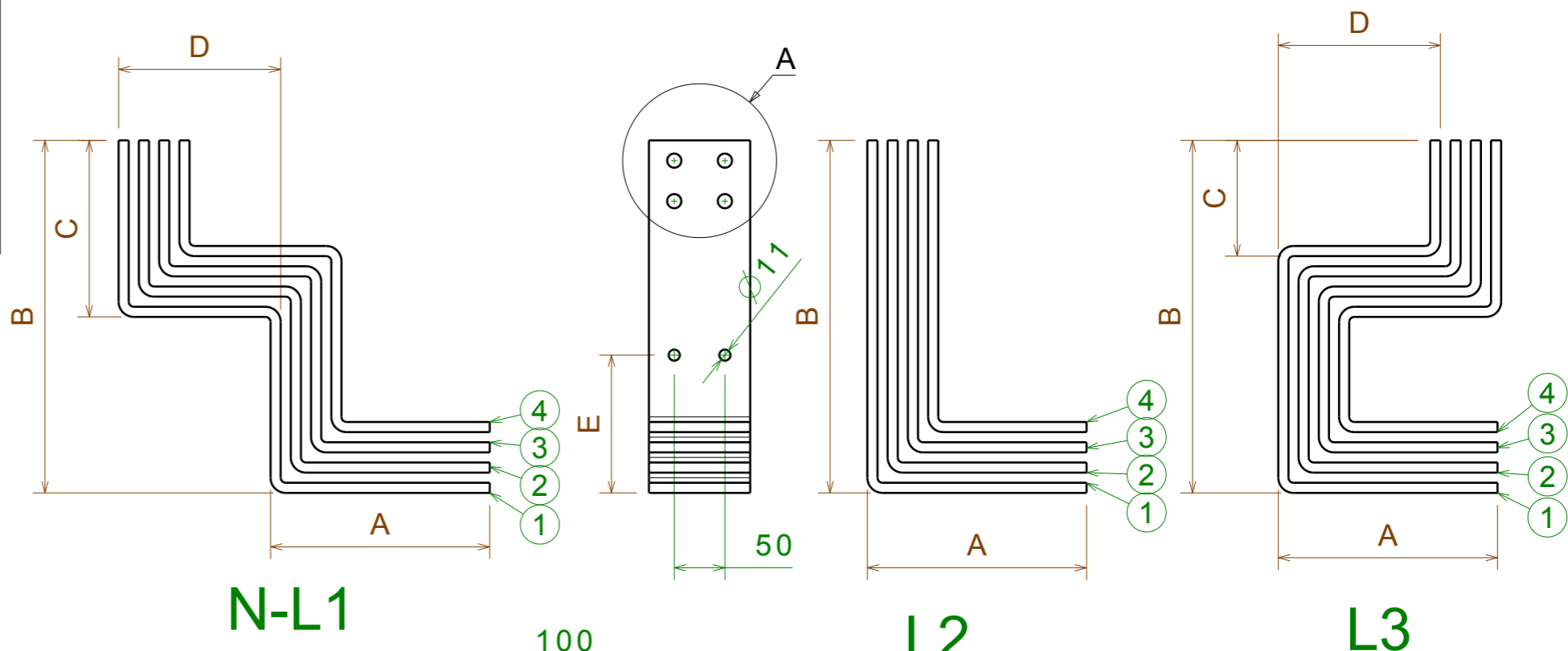


**MAIN
BUSBARS
UP**

	B	E	F
L3.1	348.75	136	62
L3.2	328.75	116	62
L3.3	308.75	96	62
L3.4	288.75	76	62
L2.1	348.75	136	62
L2.2	328.75	116	62
L2.3	308.75	96	62
L2.4	288.75	76	62
L1.1	348.75	136	62
L1.2	328.75	116	62
L1.3	308.75	96	62
L1.4	288.75	76	62
N.1	348.75	136	62
N.2	328.75	116	62
N.3	308.75	96	62
N.4	288.75	76	62

CONNECTIONS FOR E4.2 WITHDRAWABLE 4000A

SPEP P=900mm
 BUSBARS HOLDER PBHB3121 (100mm)
 MAIN BUSBARS IP30 / IP31 : 4000A (3x100x10)

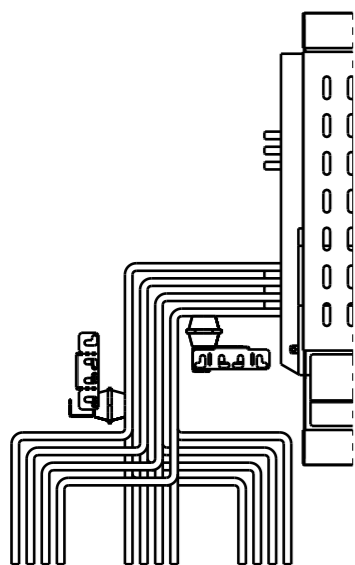
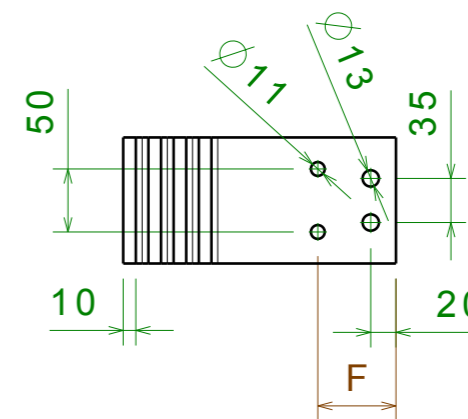
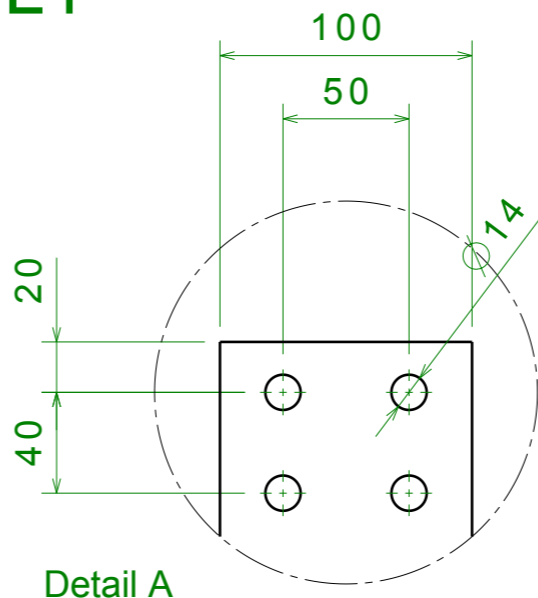


N-L1

L2

L3

PHASE	POS	A	C	D	
L3	1	L3.1	216.4	114.25	160
	2	L3.2	196.4	134.25	160
	3	L3.3	176.4	154.25	160
	4	L3.4	156.4	174.25	160
L2	1	L2.1	216.4	-	-
	2	L2.2	196.4	-	-
	3	L2.3	176.4	-	-
	4	L2.4	156.4	-	-
L1	1	L1.1	216.4	174.25	160
	2	L1.2	196.4	154.25	160
	3	L1.3	176.4	134.25	160
	4	L1.4	156.4	114.25	160
N	1	N.1	216.4	174.25	285
	2	N.2	196.4	154.25	285
	3	N.3	176.4	134.25	285
	4	N.4	156.4	114.25	285



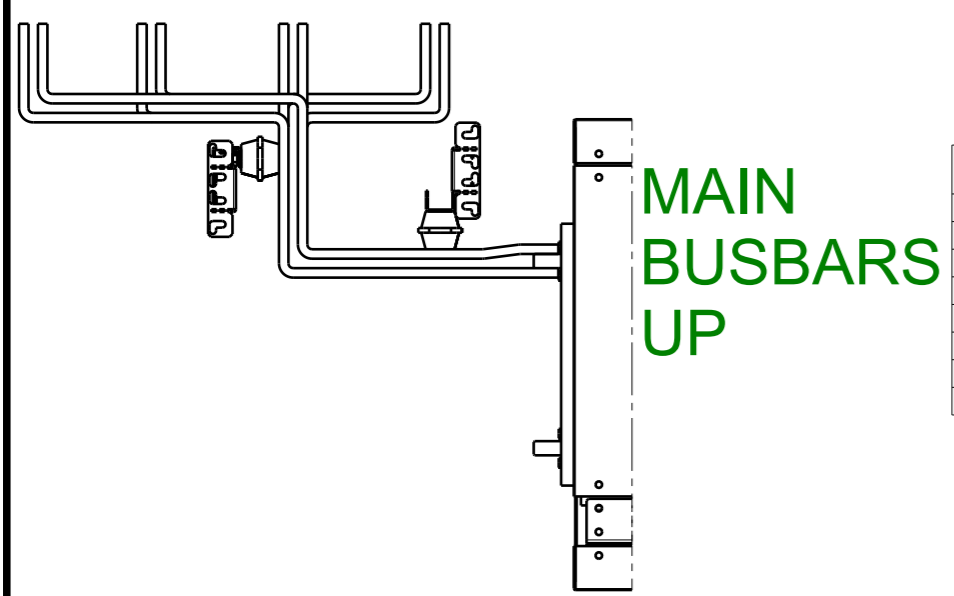
**MAIN
BUSBARS
DOWN**

	B	E	F
L3.1	398	188	112
L3.2	378	168	112
L3.3	358	148	112
L3.4	338	128	112
L2.1	398	188	112
L2.2	378	168	112
L2.3	358	148	112
L2.4	338	128	112
L1.1	398	188	112
L1.2	378	168	112
L1.3	358	148	112
L1.4	338	128	112
N.1	398	188	112
N.2	378	168	112
N.3	358	148	112
N.4	338	128	112

AGG. DI SEGNO	SCALA SCALE	: 1:6	N° PROGETTO : PROJECT	XXX.XX
DESIGNER	DISEGNATORE DESIGNER	:	ABB SACE ADB	
APPROVAZIONE	APPROVAZIONE APPROVAL	:	DISEGNO N° /DRAWING N°	
DATE	DATA DATE	: xx-xx-xx	E4.2 4000A W CONNECTION BUSBARS 4x100x10xP	
FORMATO	FORMATO	Formato A3 Formed	8 6 3 6 9 4	

CONNECTIONS FOR E1.2 WITHDRAWABLE 1000A/1250A/1600A

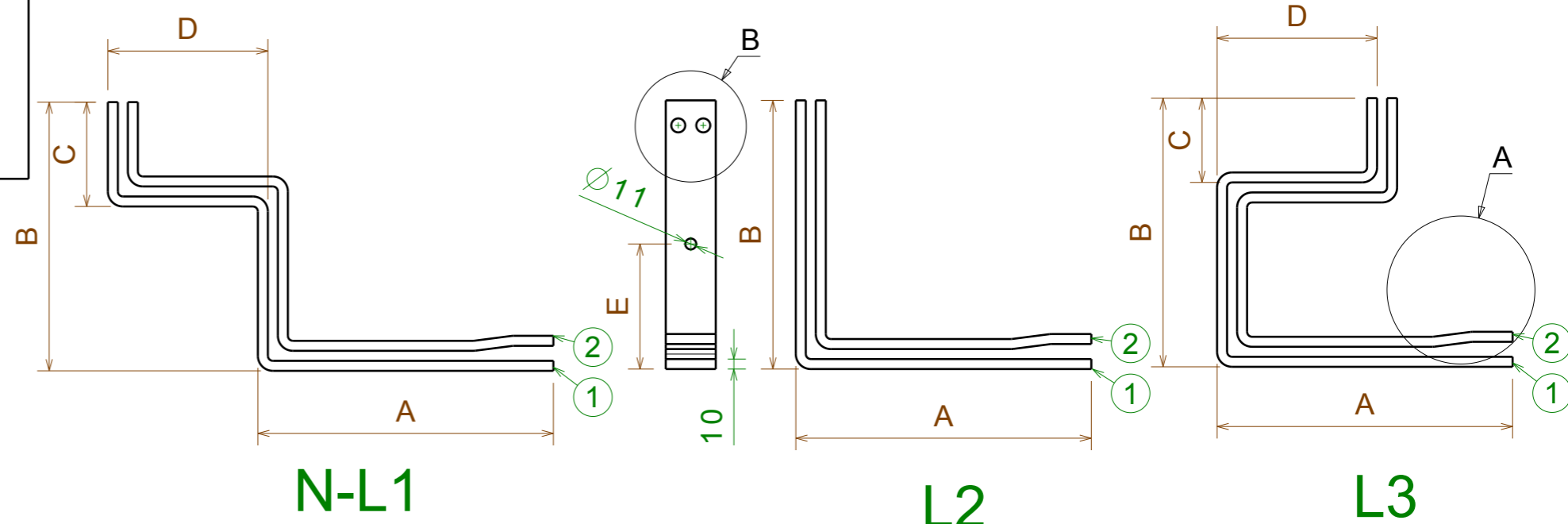
SPEP P = 900mm
 BUSBARS HOLDER PBHB3121 (100mm)
 MAIN BUSBAR IP40 / IP41 / IP65 : 4000A (3x120x10)



**MAIN
BUSBARS
UP**

	B	E
L3.1	268.5	125
L3.2	248.5	105
L2.1	268.5	125
L2.2	248.5	105
L1.1	268.5	125
L1.2	248.5	105
N.1	268.5	125
N.2	248.5	105

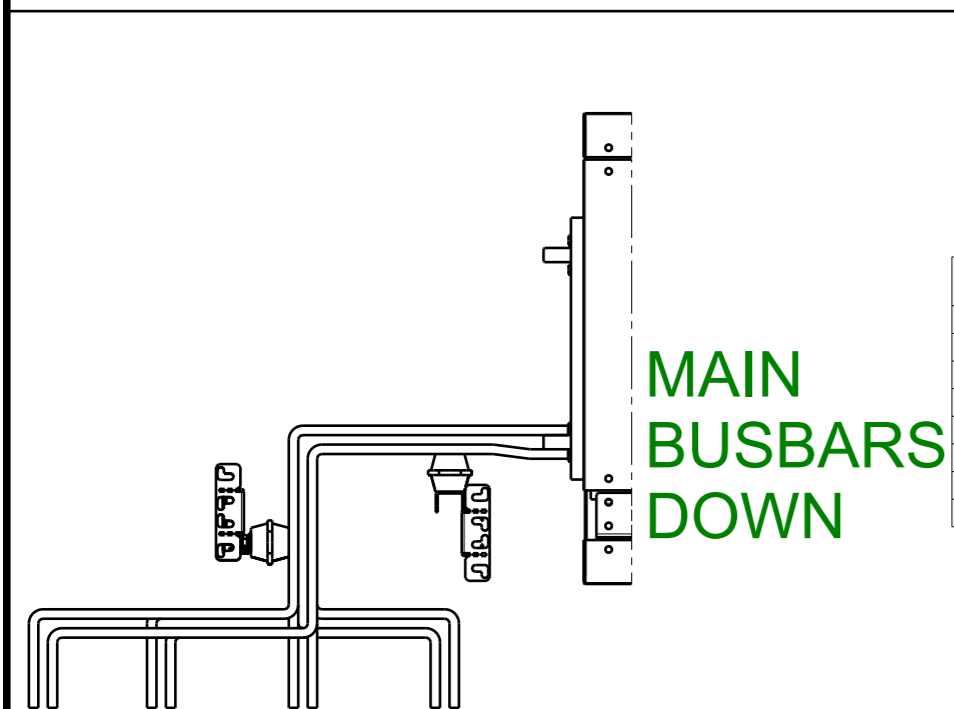
PHASE	POS	A	C	D	
L3	1	L3.1	295.5	84.25	160
	2	L3.2	275.5	104.25	160
L2	1	L2.1	295.5	-	-
	2	L2.2	275.5	-	-
L1	1	L1.1	295.5	104.25	160
	2	L1.2	275.5	84.25	160
N	1	N.1	295.5	104.25	285
	2	N.2	275.5	84.25	285



N-L1

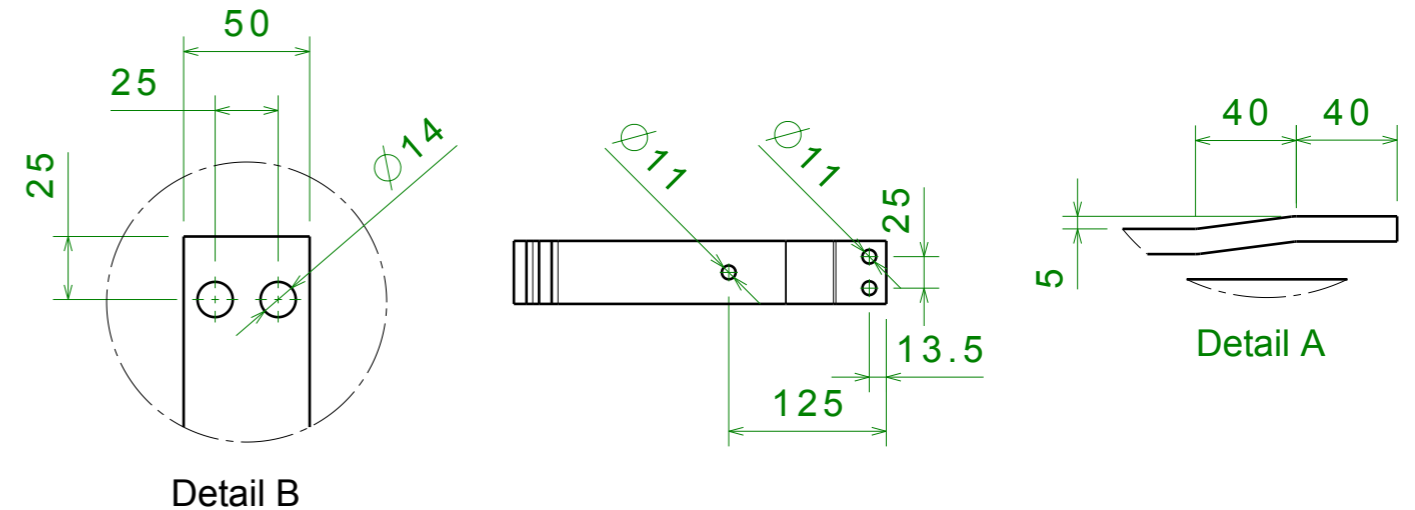
L2

L3



**MAIN
BUSBARS
DOWN**

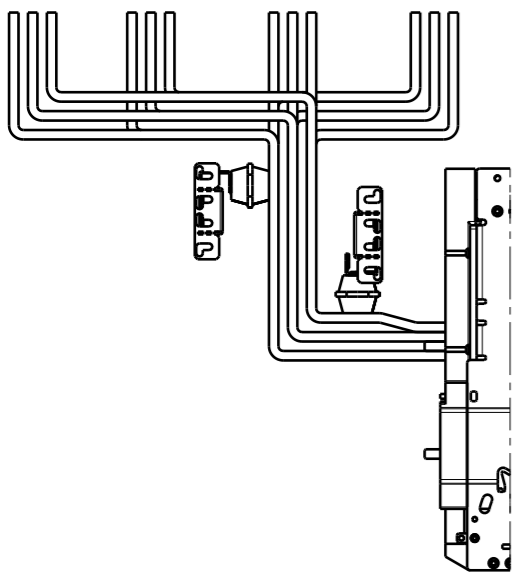
	B	E
L3.1	298.5	125
L3.2	278.5	105
L2.1	298.5	125
L2.2	278.5	105
L1.1	298.5	125
L1.2	278.5	105
N.1	298.5	125
N.2	278.5	105



Detail B

Detail A

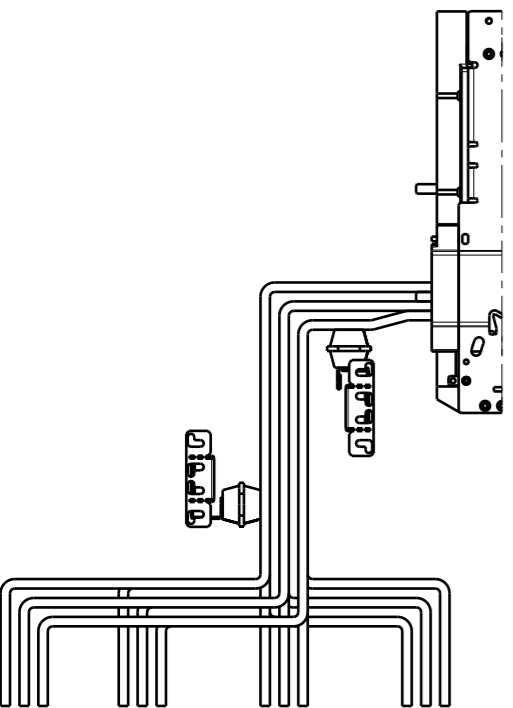
AGG. DI SEGNO	SCALA SCALE :	N° PROGETTO : PROJECT	XXX.XX
DISEGNATORE DESIGNER :	APPROVAZIONE : APPROVAL	ABB ABB SACE ADB	
MODIFICA	DATA DATE : xx-xx-xx	DENOMINAZIONE/NAME: E1.2 1000A/1250A/1600A W CONNECTION BUSBARS 2x50x10xP	DISEGNO N° /DRAWING N° 8 6 3 7 1 8
DATA	Formato A3 Formed		



MAIN BUSBARS UP

	B	E
L3.1	368	185
L3.2	348	165
L3.3	338	155
L2.1	368	185
L2.2	348	165
L2.3	338	155
L1.1	368	185
L1.2	348	165
L1.3	338	155
N.1	368	185
N.2	348	165
N.3	338	155

PHASE	POS	A	C	D	
L3	1	L3.1	196.65	94.25	160
	2	L3.2	176.65	114.25	160
	3	L3.3	156.65	134.25	160
L2	1	L2.1	196.65	-	-
	2	L2.2	176.65	-	-
	3	L2.3	156.65	-	-
L1	1	L1.1	196.65	134.25	160
	2	L1.2	176.65	114.25	160
	3	L1.3	156.65	94.25	160
N	1	N.1	196.65	134.25	285
	2	N.2	176.65	114.25	285
	3	N.3	156.65	94.25	285

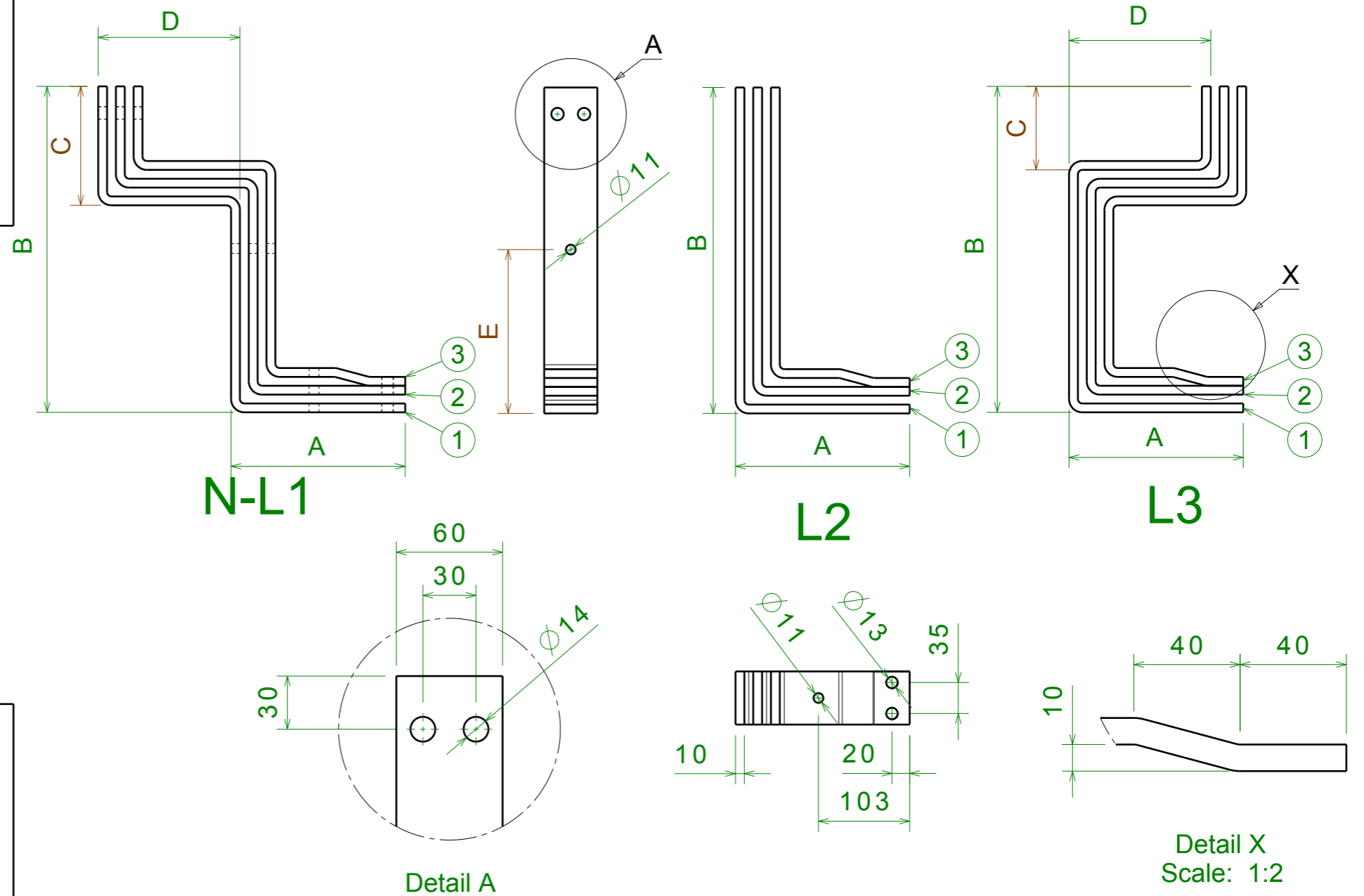


MAIN BUSBARS DOWN

	B	E
L3.1	468	235
L3.2	448	215
L3.3	438	205
L2.1	468	235
L2.2	448	215
L2.3	438	205
L1.1	468	235
L1.2	448	215
L1.3	438	205
N.1	468	235
N.2	448	215
N.3	438	205

CONNECTIONS FOR E2.2 WITHDRAWABLE 2000A

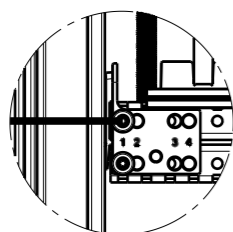
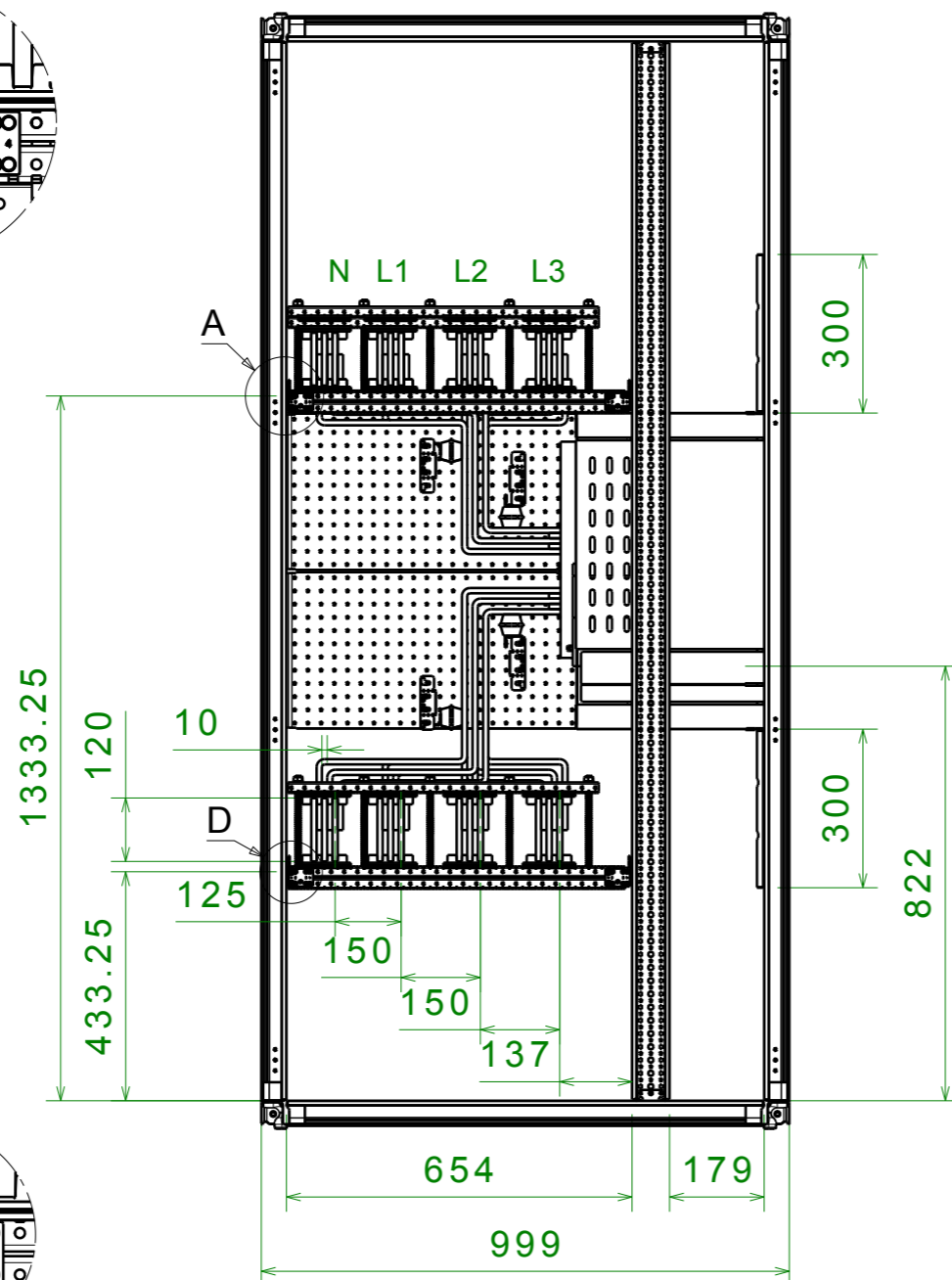
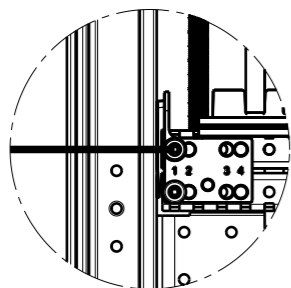
SPEP P = 900mm
 BUSBARS HOLDER PBHB3121 (100mm)
 MAIN BUSBAR IP40 / IP41 / IP65 : 4000A (3x120x10);



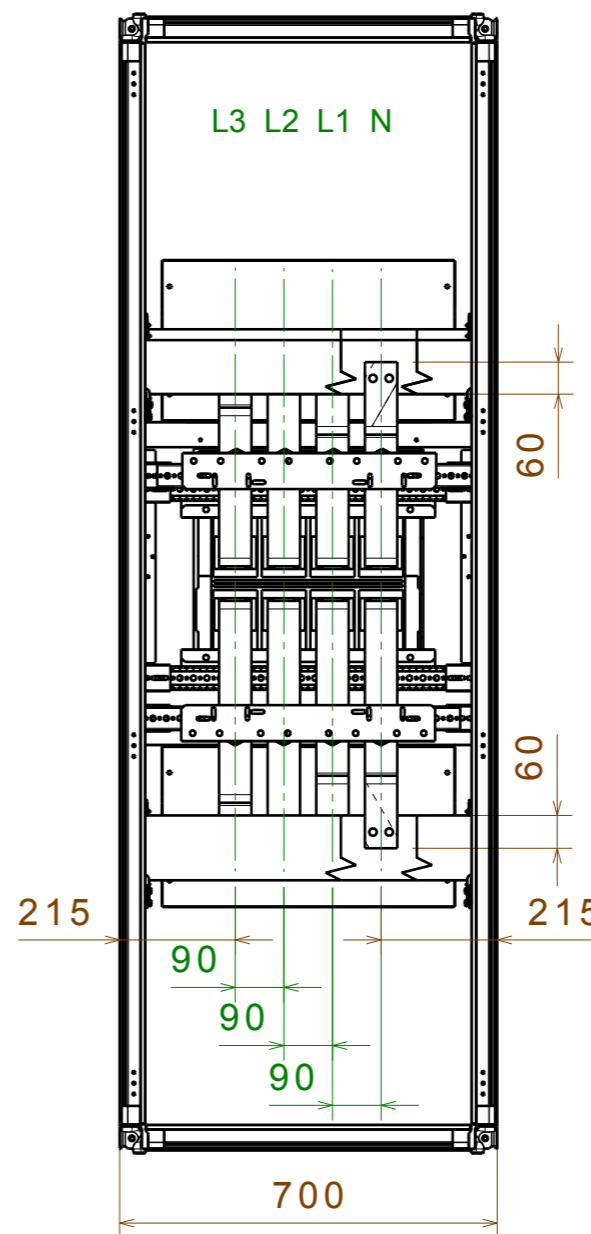
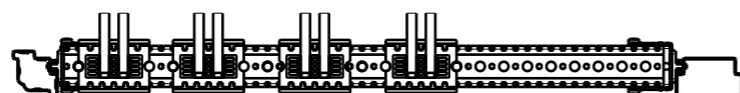
AGG. DI SEGNO	SCALA SCALE : 1:6	N° PROGETTO : XXX.XX
DESIGNER	DESIGNER :	PROJECT
APPROVAZIONE	APPROVAL	ABB ABB SACE ADB
DATE	DATE : xx-xx-xx	DENOMINAZIONE/NAME :
FORMATO	Formato A3 Formed	E2.2 2000A W CONNECTION BUSBARS 3x60x10xP
<p>Questo disegno e' di esclusiva proprieta' di ABB SACE ADB. Ne e' vietata la riproduzione a termini di legge.</p>		<p>DISEGNO N° /DRAWING N°</p> <p>8 6 3 7 0 6</p>

ASSEMBLY DRAWING E2.2 2500A W ALIM BUSBARS 3x120x10xP

Detail A

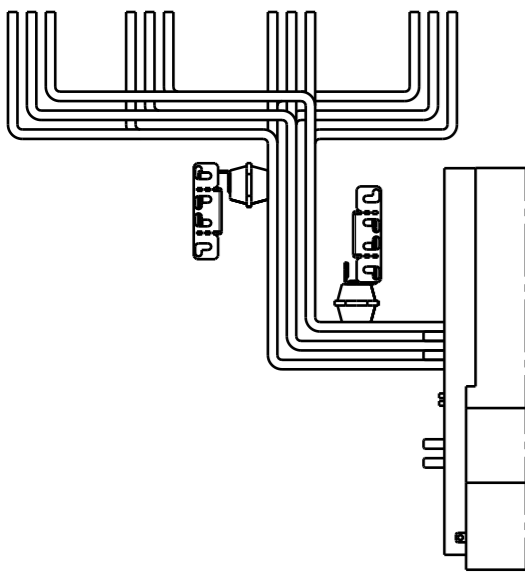


Detail D



CONNECTION BUSBARS 3x60x10xP

AGG. DI SEGNO	SCALA SCALE	: 1:14	N° PROGETTO : PROJECT	XXX.XX
MODIFICA	DISEGNATORE DESIGNER	:	ABB ABB SACE ADB	
DATA	APPROVAZIONE APPROVAL	:		
	DATA DATE	: xx-xx-xx	DENOMINAZIONE/NAME:	
		Formato A3 Formed	E2.2 2500A W CONNECTION BUSBARS 3x60x10xP	
			DISEGNO N° /DRAWING N°	
			8 6 3 7 2 1	



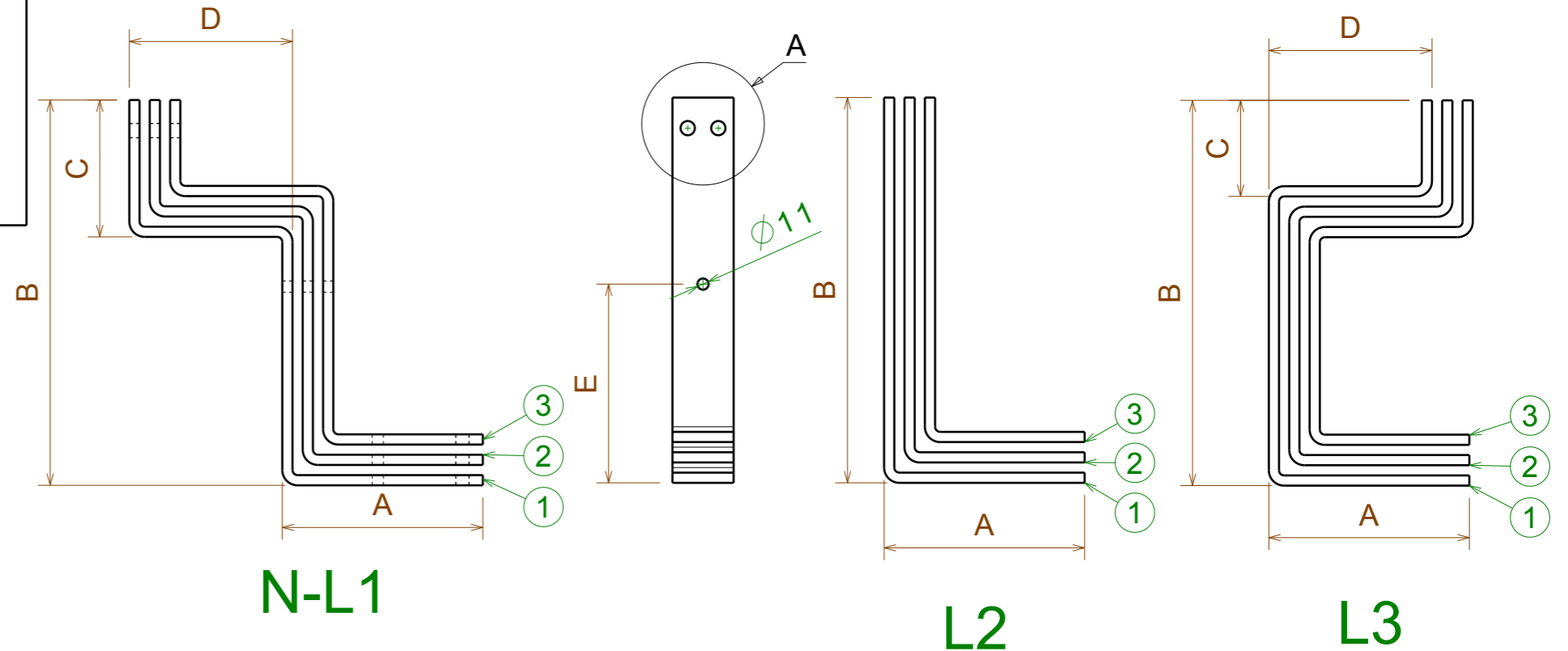
**MAIN
BUSBARS
UP**

	B	E
L3.1	378	195
L3.2	358	175
L3.3	338	155
L2.1	378	195
L2.2	358	175
L2.3	338	155
L1.1	378	195
L1.2	358	175
L1.3	338	155
N.1	378	195
N.2	358	175
N.3	338	155

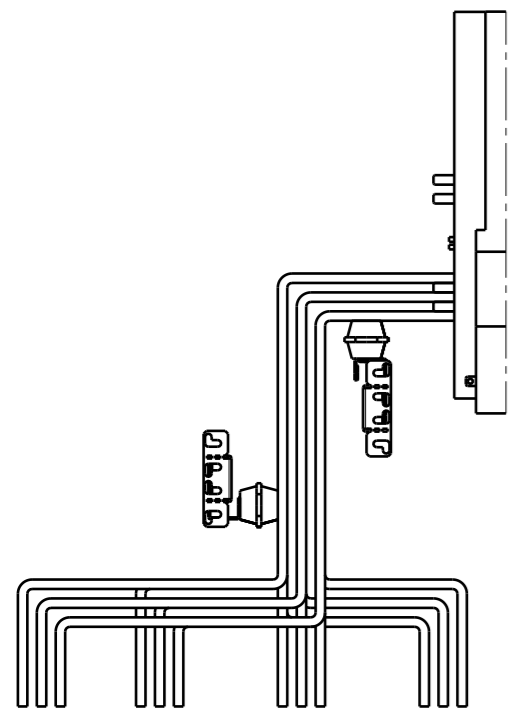
CONNECTIONS FOR E2.2 WITHDRAWABLE 2500A

I_{cw} > 36KA

SPEP P = 900mm
 BUSBARS HOLDER PBHB3121 (100mm)
 MAIN BUSBAR IP40 / IP41 / IP65 : 4000A (3x120x10);

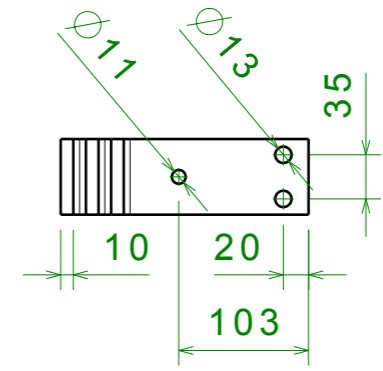
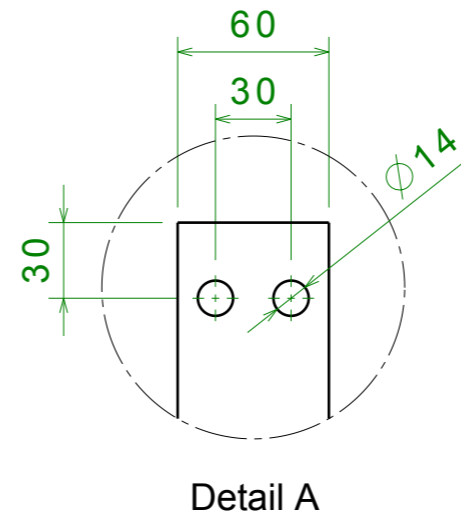


PHASE	POS	A	C	D	
L3	1	L3.1	196.65	94.25	160
	2	L3.2	176.65	114.25	160
	3	L3.3	156.65	134.25	160
L2	1	L2.1	196.65	-	-
	2	L2.2	176.65	-	-
	3	L2.3	156.65	-	-
L1	1	L1.1	196.65	134.25	160
	2	L1.2	176.65	114.25	160
	3	L1.3	156.65	94.25	160
N	1	N.1	196.65	134.25	285
	2	N.2	176.65	114.25	285
	3	N.3	156.65	94.25	285



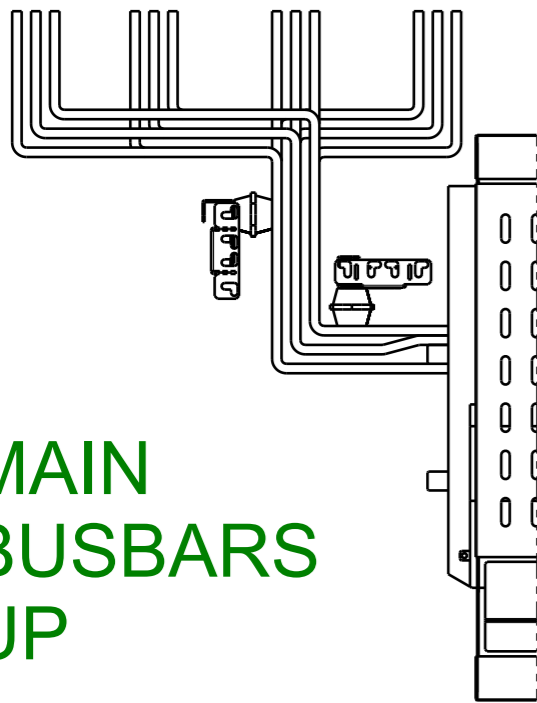
**MAIN
BUSBARS
DOWN**

	B	E
L3.1	458	245
L3.2	438	225
L3.3	418	205
L2.1	458	245
L2.2	438	225
L2.3	418	205
L1.1	458	245
L1.2	438	225
L1.3	418	205
N.1	458	245
N.2	438	225
N.3	418	205



AGG. DI SEGNO	SCALA SCALE	: 1:8	N° PROGETTO : PROJECT	XXX.XX
DESIGNER	DISEGNATORE DESIGNER	:	ABB SACE ADB	
APPROVAZIONE	APPROVAL	:	DISEGNO N° /DRAWING N°	
DATA	DATE	: xx-xx-xx	E2.2 2500A W CONNECTION BUSBARS 3x60x10xP	
FORMATO	Formato A3 Formed		8 6 3 7 0 3	

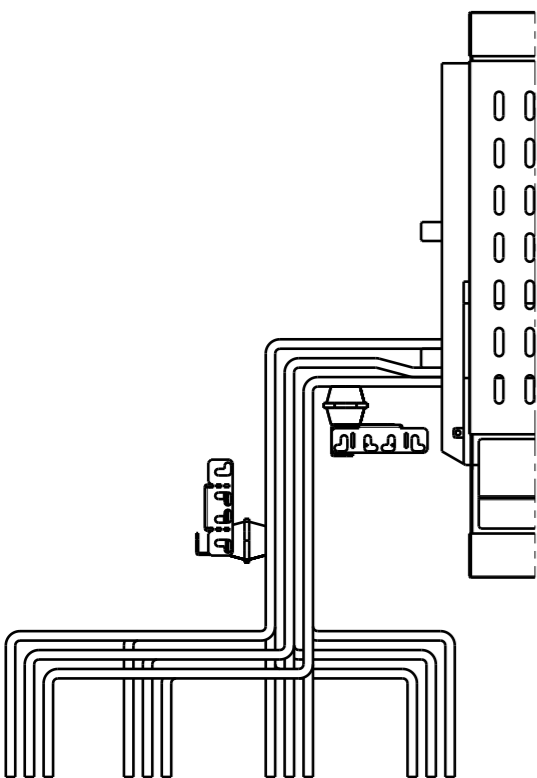
Questo disegno e' di esclusiva proprieta' di ABB SACE ADB. Ne e' vietata la riproduzione a termini di legge.



**MAIN
BUSBARS
UP**

	B	E
L3.1	383	168
L3.2	363	148
L3.3	343	128
L2.1	383	168
L2.2	363	148
L2.3	343	128
L1.1	383	168
L1.2	363	148
L1.3	343	128
N.1	383	168
N.2	363	148
N.3	343	128

PHASE	POS	A	C	D	
L3	1	L3.1	196.4	114.25	160
	2	L3.2	176.4	134.25	160
	3	L3.3	156.4	154.25	160
L2	1	L2.1	196.4	-	-
	2	L2.2	176.4	-	-
	3	L2.3	156.4	-	-
L1	1	L1.1	196.4	154.25	160
	2	L1.2	176.4	134.25	160
	3	L1.3	156.4	114.25	160
N	1	N.1	196.4	154.25	285
	2	N.2	176.4	134.25	285
	3	N.3	156.4	114.25	285

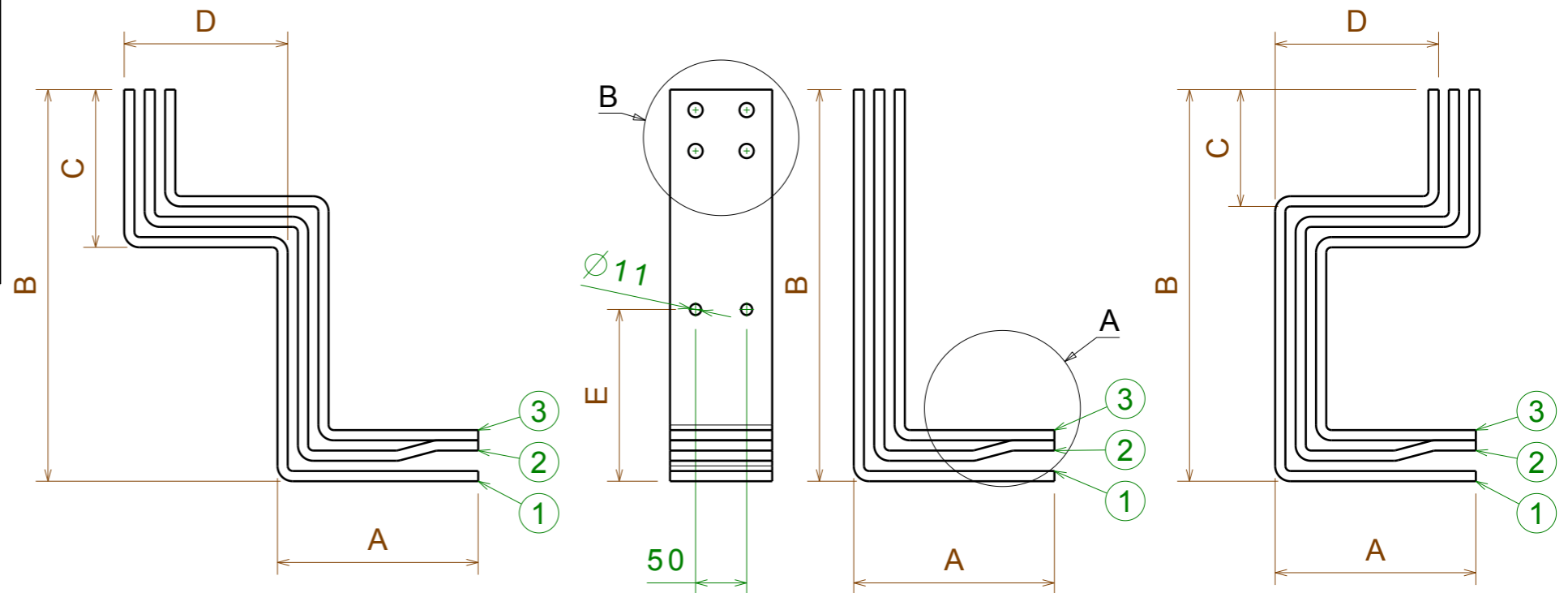


**MAIN
BUSBARS
DOWN**

	B	E
L3.1	463	213
L3.2	443	193
L3.3	423	173
L2.1	463	213
L2.2	443	193
L2.3	423	173
L1.1	463	213
L1.2	443	193
L1.3	423	173
N.1	463	213
N.2	443	193
N.3	423	173

CONNECTIONS FOR E4.2 WITHDRAWABLE 3200A

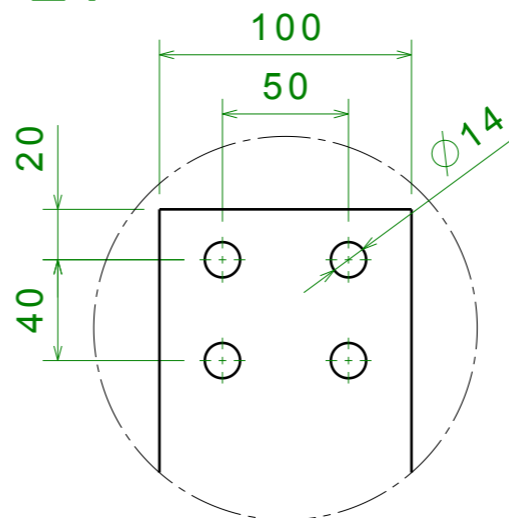
SPEP P = 900mm
 BUSBARS HOLDER PBHB3121 (100mm)
 MAIN BUSBAR IP40 / IP41 / IP65 : 4000A (3x120x10)



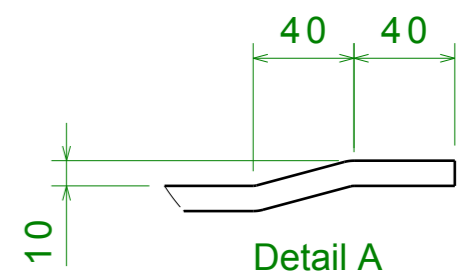
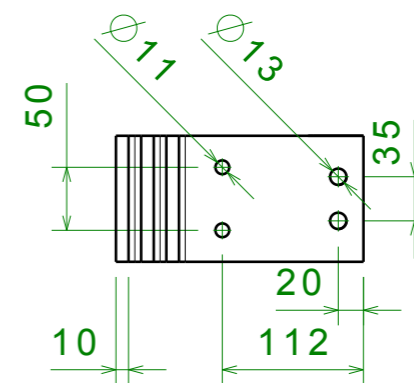
N-L1

L2

L3

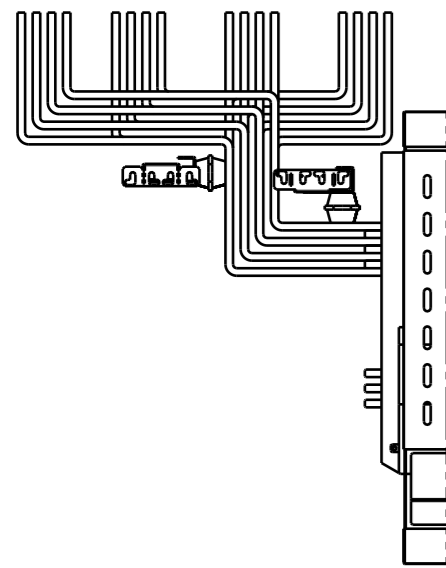


Detail B



Detail A

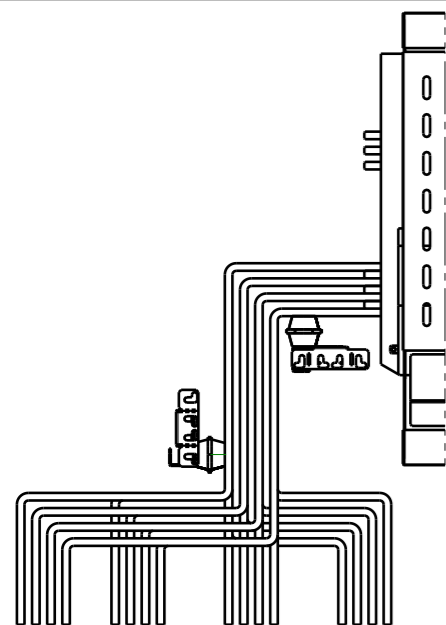
AGG. DI SEGNO	SCALA SCALE	: 1:6	N° PROGETTO PROJECT	XXX.XX
DESIGNER	DISEGNATORE DESIGNER		ABB SACE ADB	
APPROVAZIONE	APPROVAL		DISEGNO N° / DRAWING N°	
DATA	DATE	: xx-xx-xx	E4.2 3200A W CONNECTION BUSBARS 3x100x10xP	
MODIFICA	FORMATO	Formato A3 Formed	8 6 3 7 0 0	



**MAIN
BUSBARS
UP**

	B	E	F
L3.1	348.75	136	62
L3.2	328.75	116	62
L3.3	308.75	96	62
L3.4	288.75	76	62
L2.1	348.75	136	62
L2.2	328.75	116	62
L2.3	308.75	96	62
L2.4	288.75	76	62
L1.1	348.75	136	62
L1.2	328.75	116	62
L1.3	308.75	96	62
L1.4	288.75	76	62
N.1	348.75	136	62
N.2	328.75	116	62
N.3	308.75	96	62
N.4	288.75	76	62

PHASE	POS		A	C	D
L3	1	L3.1	216.4	114.25	160
	2	L3.2	196.4	134.25	160
	3	L3.3	176.4	154.25	160
	4	L3.4	154.4	174.25	160
L2	1	L2.1	216.4	-	-
	2	L2.2	196.4	-	-
	3	L2.3	176.4	-	-
	4	L2.4	154.4	-	-
L1	1	L1.1	216.4	174.25	160
	2	L1.2	196.4	154.25	160
	3	L1.3	176.4	134.25	160
	4	L1.4	154.4	114.25	160
N	1	N.1	216.4	174.25	285
	2	N.2	196.4	154.25	285
	3	N.3	176.4	134.25	285
	4	N.4	154.4	114.25	285

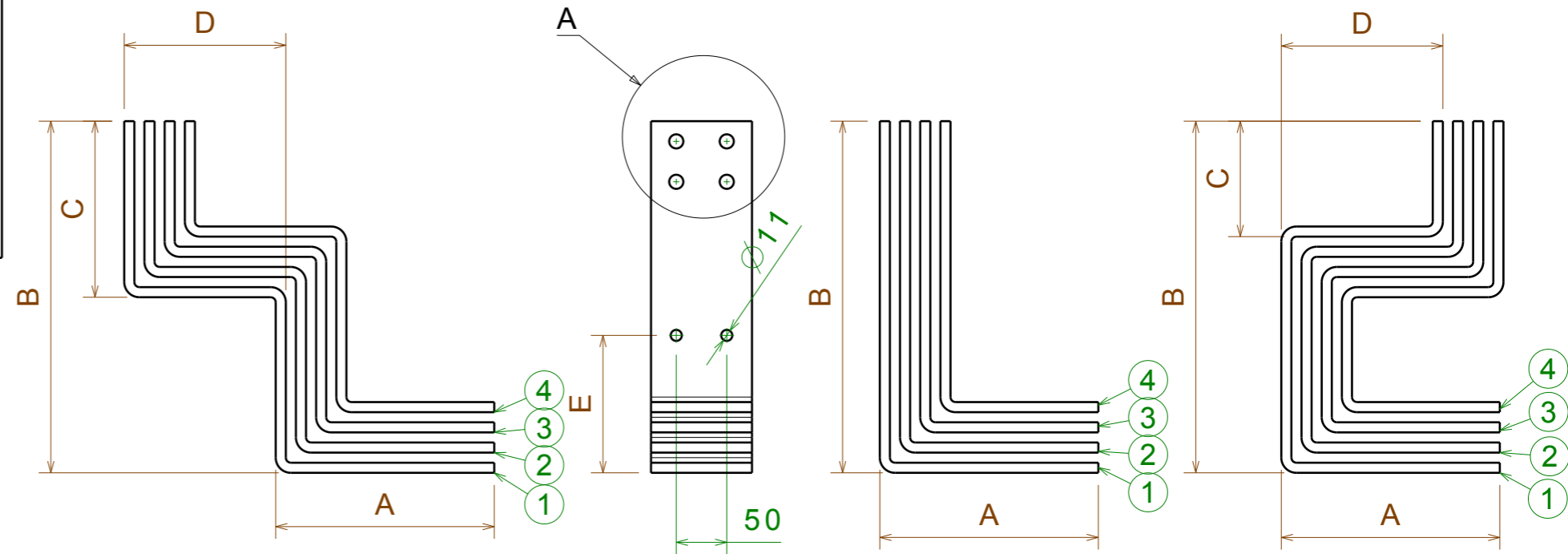


**MAIN
BUSBARS
DOWN**

	B	E	F
L3.1	478	253	112
L3.2	458	233	112
L3.3	438	213	112
L3.4	418	193	112
L2.1	478	253	112
L2.2	458	233	112
L2.3	438	213	112
L2.4	418	193	112
L1.1	478	253	112
L1.2	458	233	112
L1.3	438	213	112
L1.4	418	193	112
N.1	478	253	112
N.2	458	233	112
N.3	438	213	112
N.4	418	193	112

CONNECTIONS FOR E4.2 WITHDRAWABLE 4000A

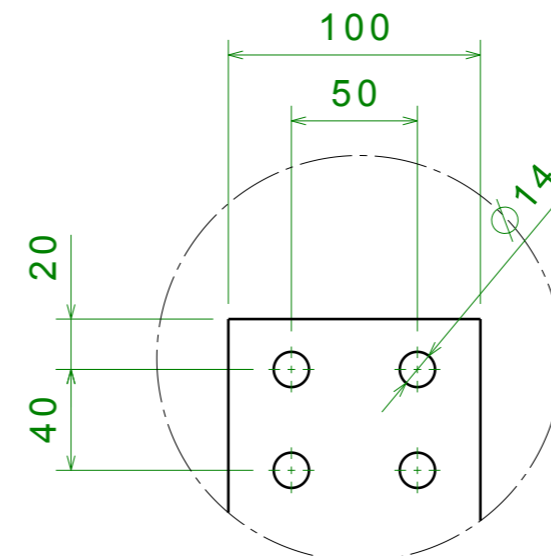
SPEP P=900mm
 BUSBARS HOLDER PBHB3121 (100mm)
 MAIN BUSBARS IP40 / IP41 / IP65 : 4000A (3x120x10)



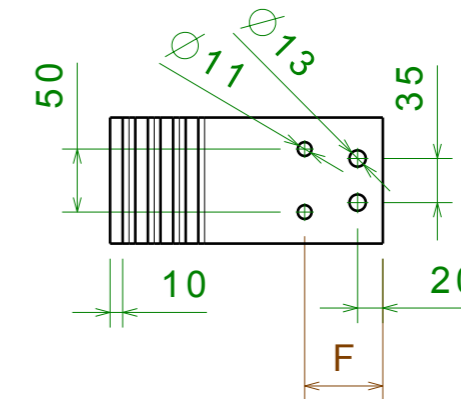
N-L1

L2

L3

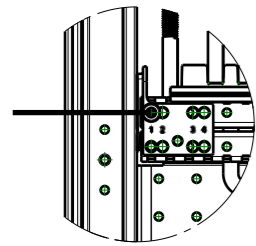


Detail A

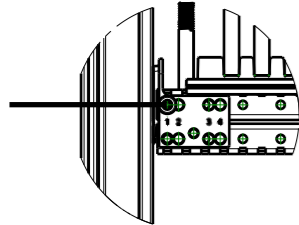


AGG. DI SEGNO	SCALA SCALE	: 1:6	N° PROGETTO PROJECT	XXX.XX
DESIGNER	DISEGNATORE DESIGNER		ABB SACE ADB	
APPROVAZIONE	APPROVAZIONE APPROVAL		DISEGNO N° / DRAWING N°	
DATE	DATA DATE	: xx-xx-xx	E4.2 4000A W CONNECTION BUSBAS 4x100x10xP	
FORMATO	FORMATO	Formato A3 Formed	8 6 3 6 9 3	

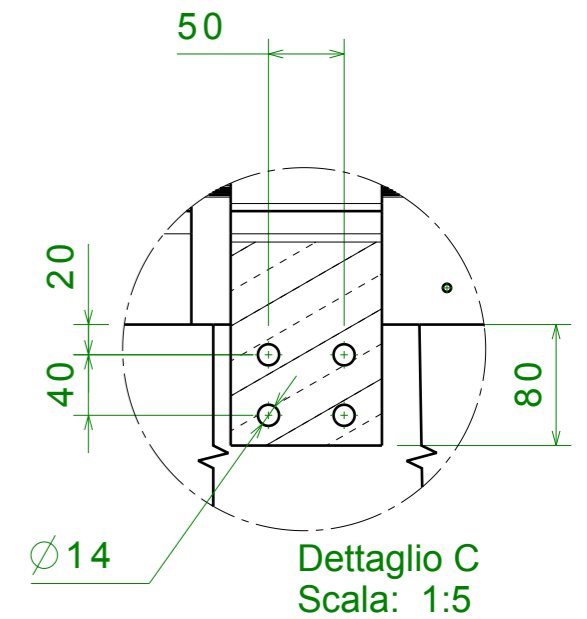
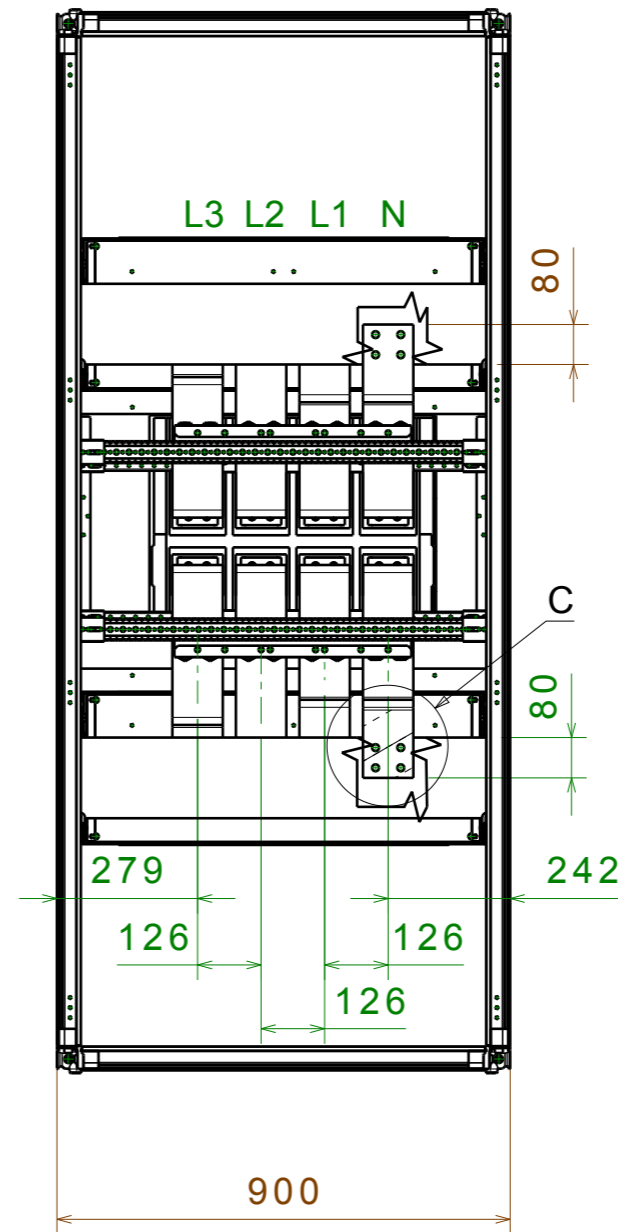
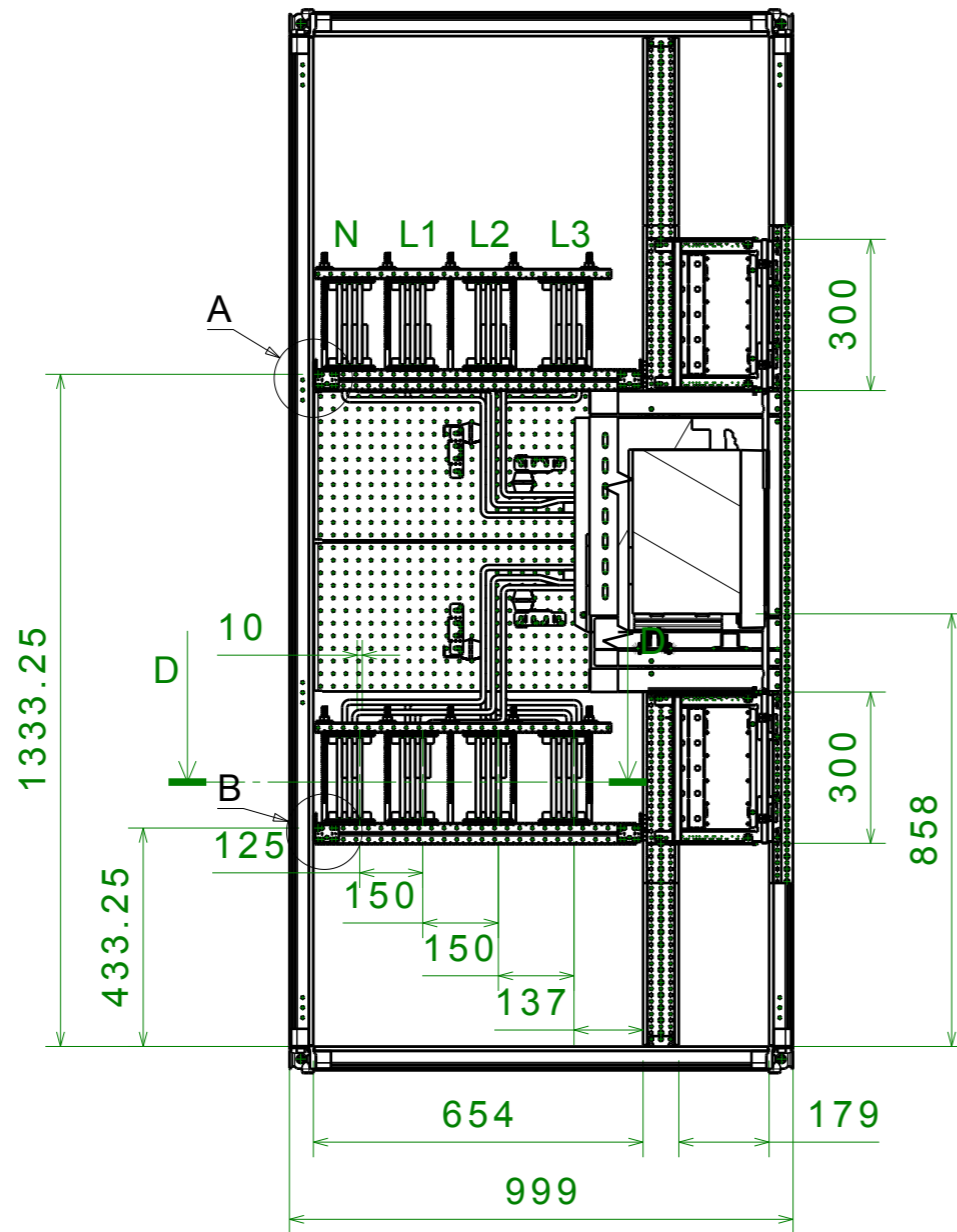
ASSEMBLY DRAWING E4.2 3200A W ALIM BUSBAR 3x160x10xP



Dettaglio A
Scala: 1:5

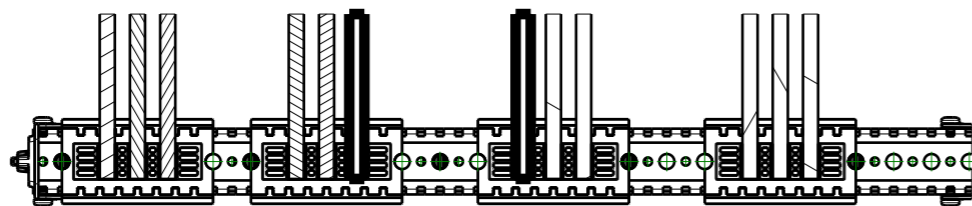


Dettaglio B
Scala: 1:5



Dettaglio C
Scala: 1:5

Vista in sezione D-D
Scala: 1:5

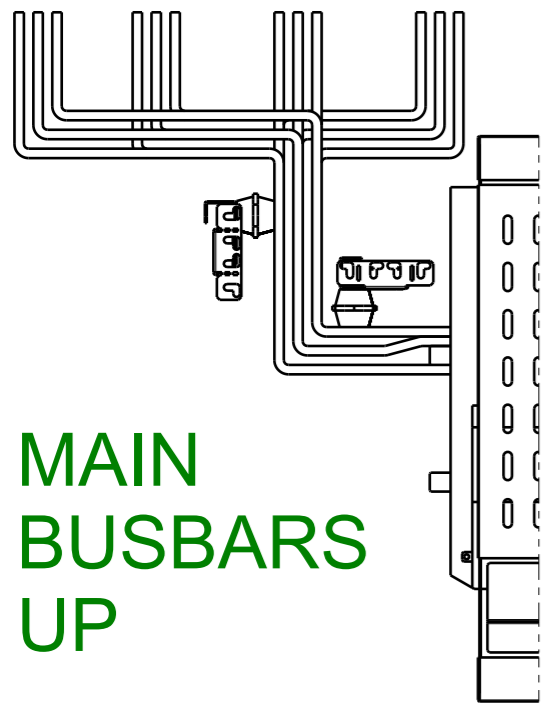


CONNECTION BUSBARS 3x100x10xP

		AGG. DI SEGNO SCALA SCALE : 1:14			N° PROGETTO : PROJECT : XXX.XX	
		DISEGNATORE DESIGNER :			ABB ABB SACE ADB	
		APPROVAZIONE : APPROVAL :				
		DATA DATE : xx-xx-xx			DENOMINAZIONE/NAME: E4.2 3200A W CONNECTION BUSBARS 3x100x10xP	DISEGNO N° /DRAWING N° 8 6 3 9 2 2
		DATA Formato A3 Formed				

CONNECTIONS FOR E4.2 WITHDRAWABLE 3200A

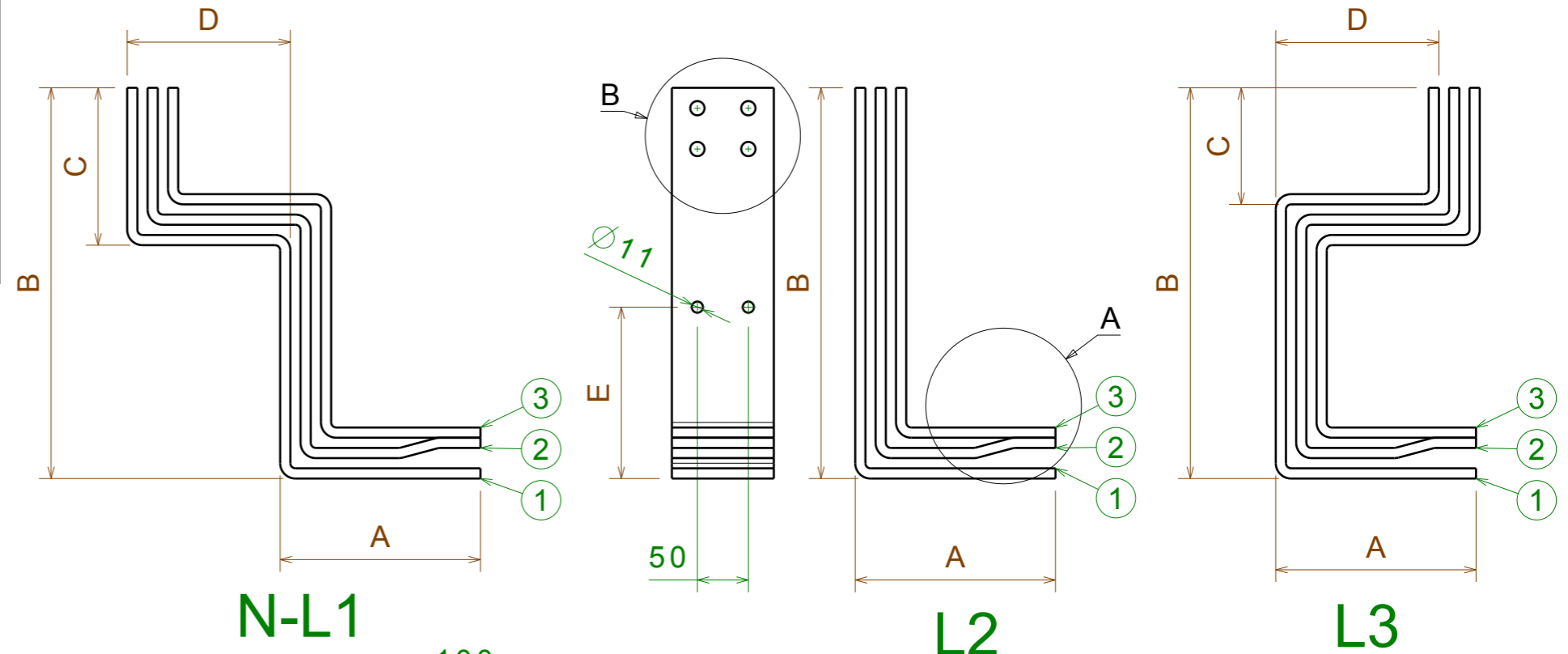
SPEP P = 900mm
 BUSBARS HOLDER PBHB3121 (100mm)
 MAIN BUSBAR IP40 / IP41 / IP65 : 5000A (3x160x10)



MAIN
BUSBARS
UP

POS	B
L3.1	383
L3.2	363
L3.3	343
L2.1	383
L2.2	363
L2.3	343
L3.1	383
L3.2	363
L3.3	343
N.1	383
N.2	363
N.3	343

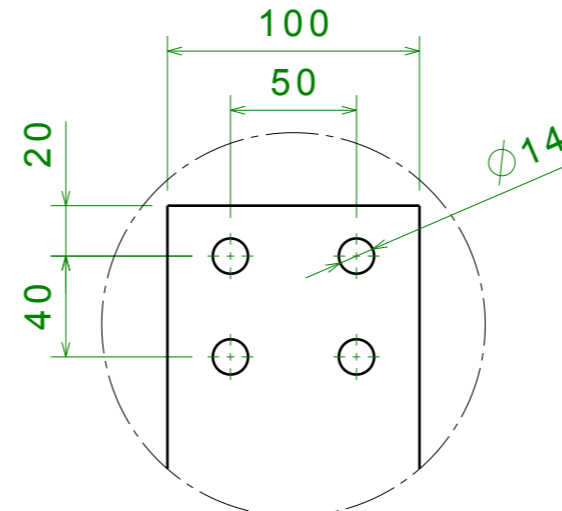
PHASE	POS	A	C	D	E
L3	1 L3.1	196.4	114.25	160	168
	2 L3.2	176.4	134.25	160	148
	3 L3.3	156.4	154.25	160	128
L2	1 L2.1	196.4	-	-	168
	2 L2.2	176.4	-	-	148
	3 L2.3	156.4	-	-	128
L1	1 L1.1	196.4	154.25	160	168
	2 L1.2	176.4	134.25	160	148
	3 L1.3	156.4	114.25	160	128
N	1 N.1	196.4	154.25	285	168
	2 N.2	176.4	134.25	285	148
	3 N.3	156.4	114.25	285	128



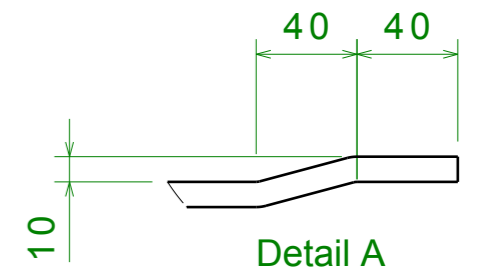
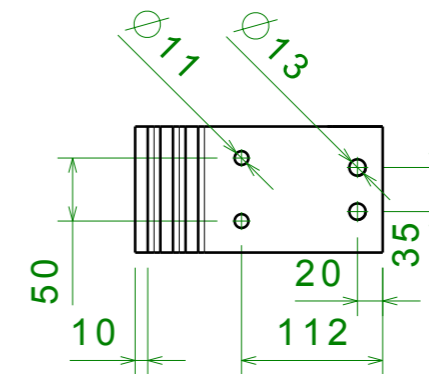
N-L1

L2

L3

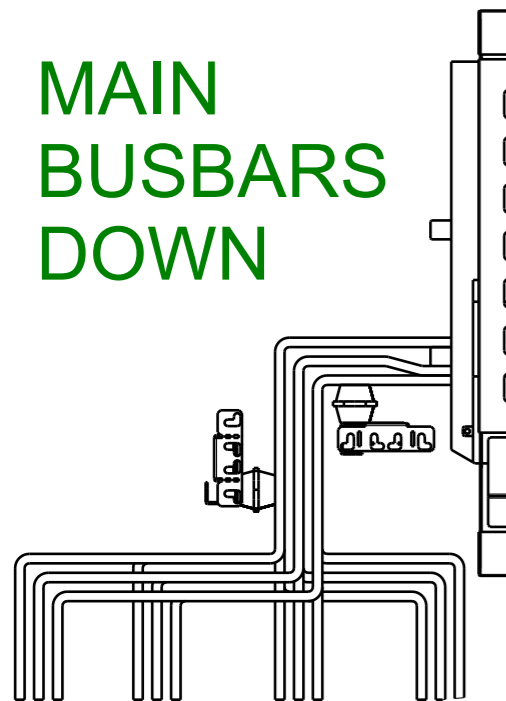


Detail B



Detail A

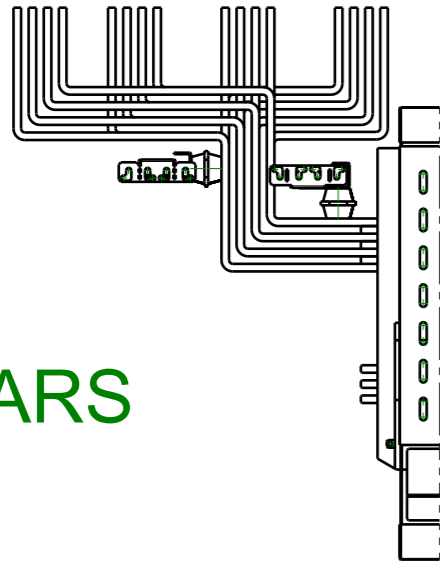
MAIN
BUSBARS
DOWN



POS	B
L3.1	422.25
L3.2	402.25
L3.3	382.25
L2.1	422.25
L2.2	402.25
L2.3	382.25
L3.1	422.25
L3.2	402.25
L3.3	382.25
N.1	422.25
N.2	402.25
N.3	382.25

AGG. DI SEGNO	SCALA SCALE : 1:6	N° PROGETTO : XXX.XX PROJECT
DISEGNATORE DESIGNER		
APPROVAZIONE APPROVAL		ABB SACE ADB ABB SACE ADB
DATA DATE : xx-xx-xx		
MODIFICA		DENOMINAZIONE/NAME: E4.2 3200A W CONNECTION BUSBARS 3x100x10xP
DATA	Formato A3 Formed	DISEGNO N° /DRAWING N° 8 6 3 8 6 5

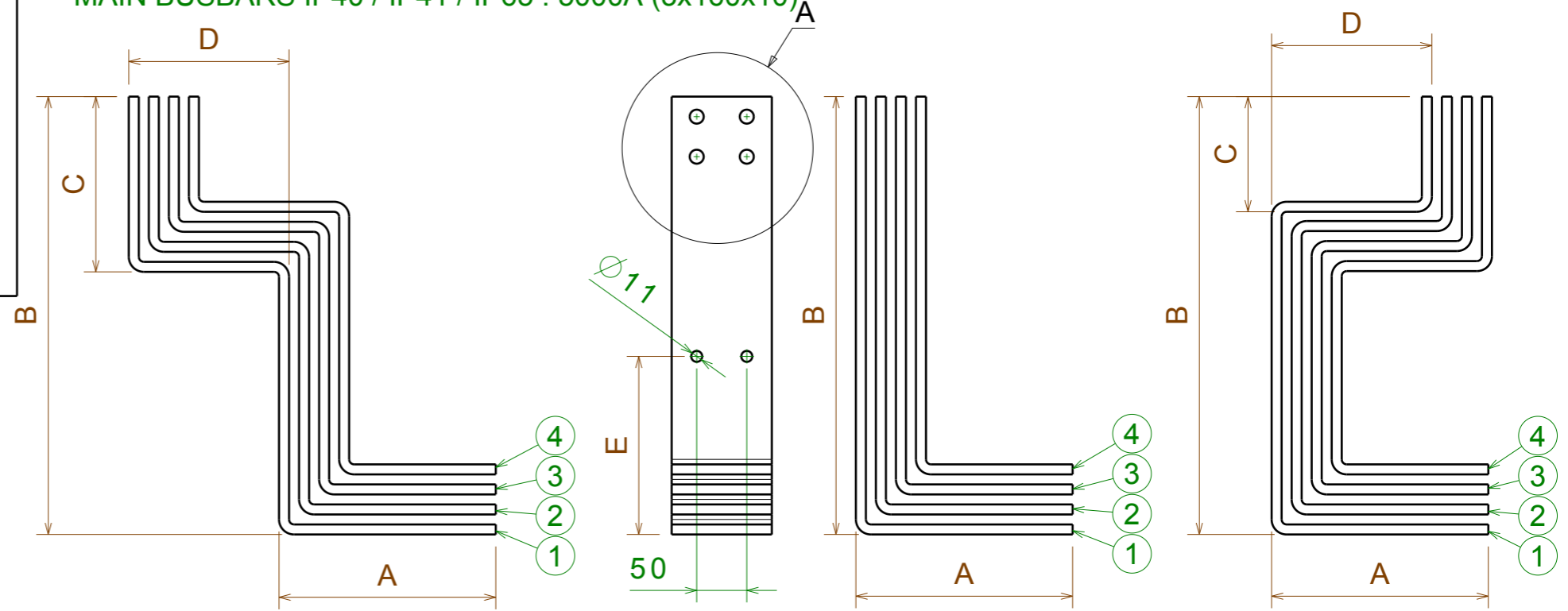
MAIN BUSBARS UP



	B	E	F
L3.1	348.75	136	62
L3.2	328.75	116	62
L3.3	308.75	96	62
L3.4	288.75	76	62
L2.1	348.75	136	62
L2.2	328.75	116	62
L2.3	308.75	96	62
L2.4	288.75	76	62
L1.1	348.75	136	62
L1.2	328.75	116	62
L1.3	308.75	96	62
L1.4	288.75	76	62
N.1	348.75	136	62
N.2	328.75	116	62
N.3	308.75	96	62
N.4	288.75	76	62

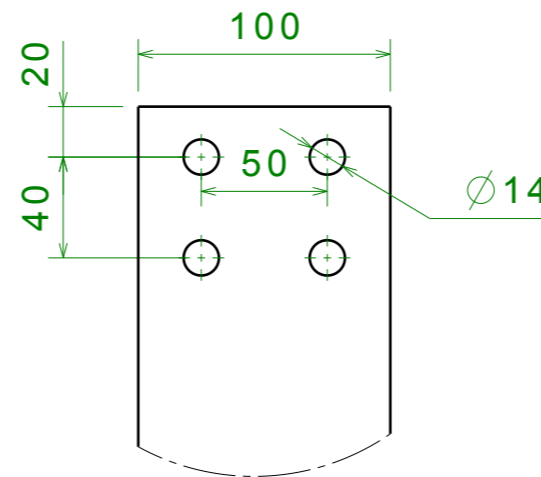
CONNECTIONS FOR E4.2 WITHDRAWABLE 4000A

SPEP P=900mm
 BUSBARS HOLDER PBHB3121 (100mm)
 MAIN BUSBARS IP40 / IP41 / IP65 : 5000A (3x160x10)

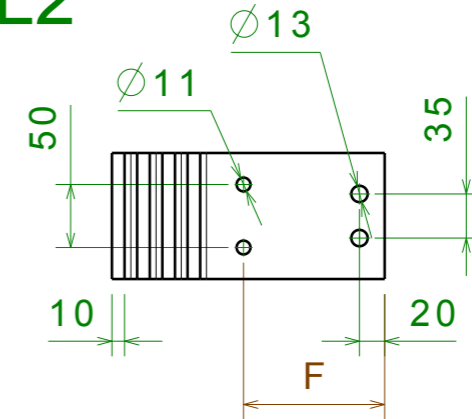


PHASE	POS	A	C	D	
L3	1	L3.1	216.4	115	160
	2	L3.2	196.4	135	160
	3	L3.3	176.4	155	160
	4	L3.4	154.4	175	160
L2	1	L2.1	216.4	-	-
	2	L2.2	196.4	-	-
	3	L2.3	176.4	-	-
	4	L2.4	154.4	-	-
L1	1	L1.1	216.4	175	160
	2	L1.2	196.4	155	160
	3	L1.3	176.4	135	160
	4	L1.4	154.4	115	160
N	1	N.1	216.4	175	285
	2	N.2	196.4	155	285
	3	N.3	176.4	135	285
	4	N.4	154.4	115	285

N-L1

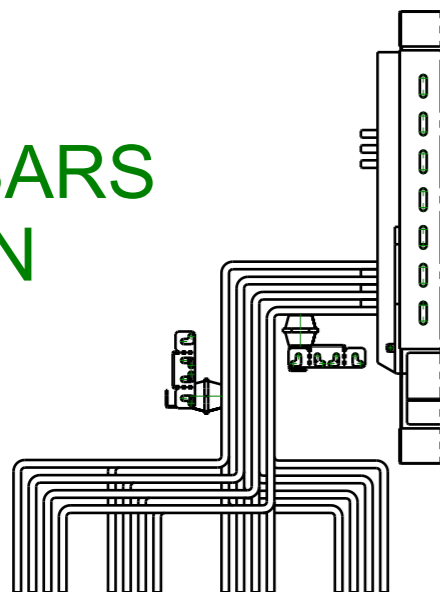


L2



L3

MAIN BUSBARS DOWN

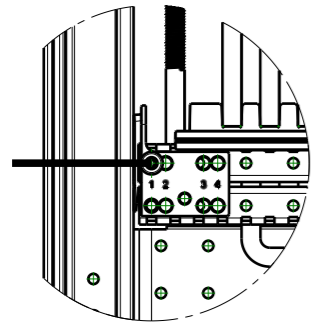


	B	E	F
L3.1	437.25	177.85	112
L3.2	417.25	157.85	112
L3.3	397.25	137.85	112
L3.4	377.25	117.85	112
L2.1	437.25	177.85	112
L2.2	417.25	157.85	112
L2.3	397.25	137.85	112
L2.4	317.25	117.85	112
L1.1	437.25	177.85	112
L1.2	417.25	157.85	112
L1.3	397.25	137.85	112
L1.4	377.25	117.85	112
N.1	437.25	177.85	112
N.2	417.25	157.85	112
N.3	397.25	137.85	112
N.4	377.25	117.85	112

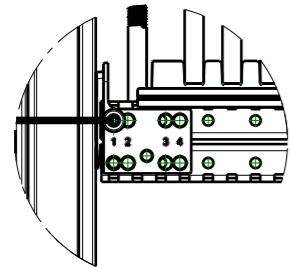
Dettaglio A
 Scala: 1:3

AGG. DI SEGNO	SCALA SCALE : 1:6	N° PROGETTO : XXX.XX
DESIGNER	DESIGNER :	PROJECT
APPROVAZIONE	APPROVAL	ABB ABB SACE ADB
DATE	DATE : xx-xx-xx	DENOMINAZIONE/NAME:
FORMATO	Formato A3 Formed	E4.2 4000A W CONNECTION BUSBAS 4x100x10xP
		DISEGNO N° /DRAWING N°
		8 6 3 9 2 4

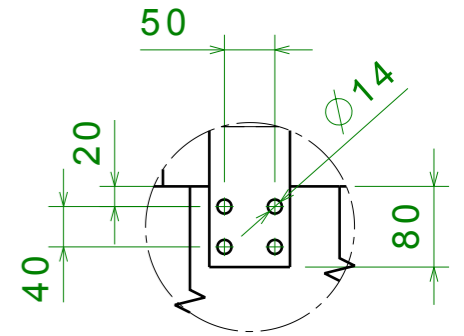
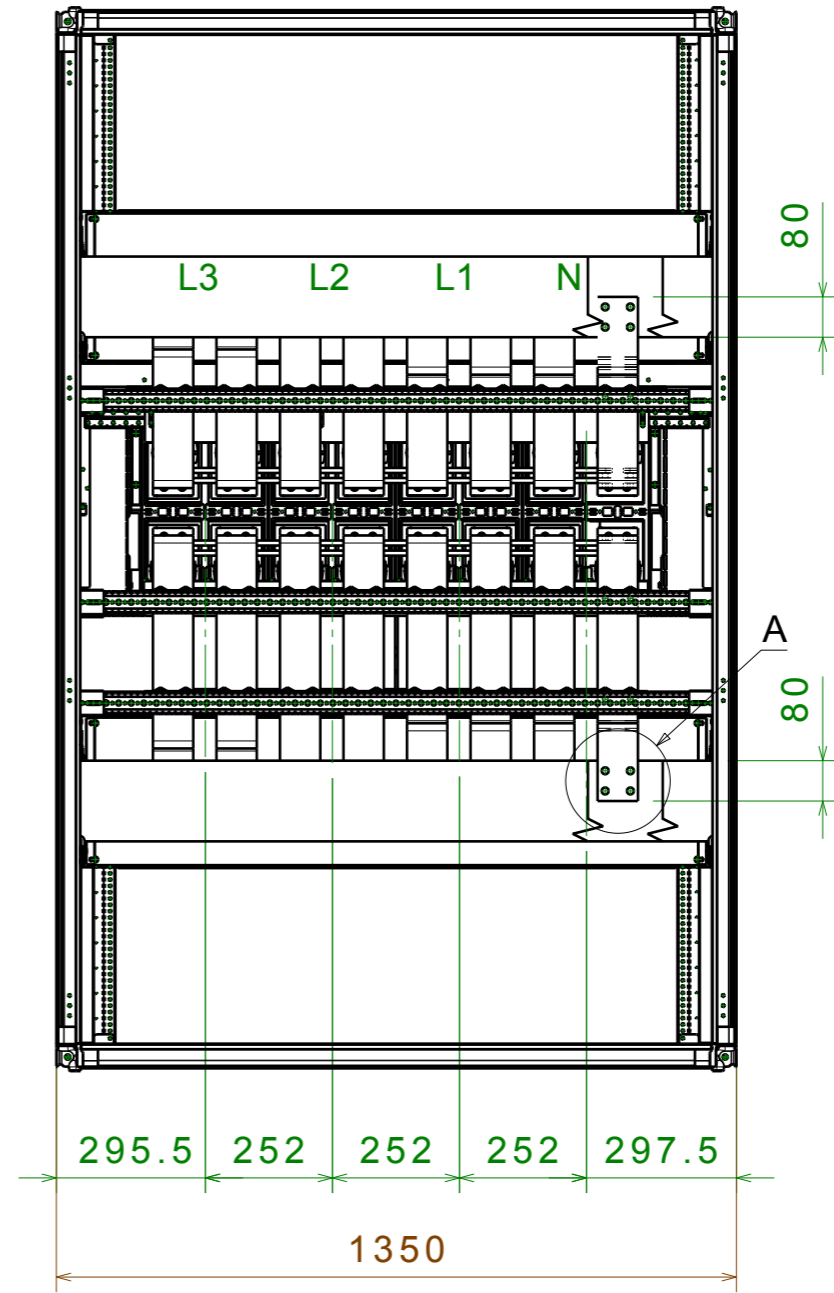
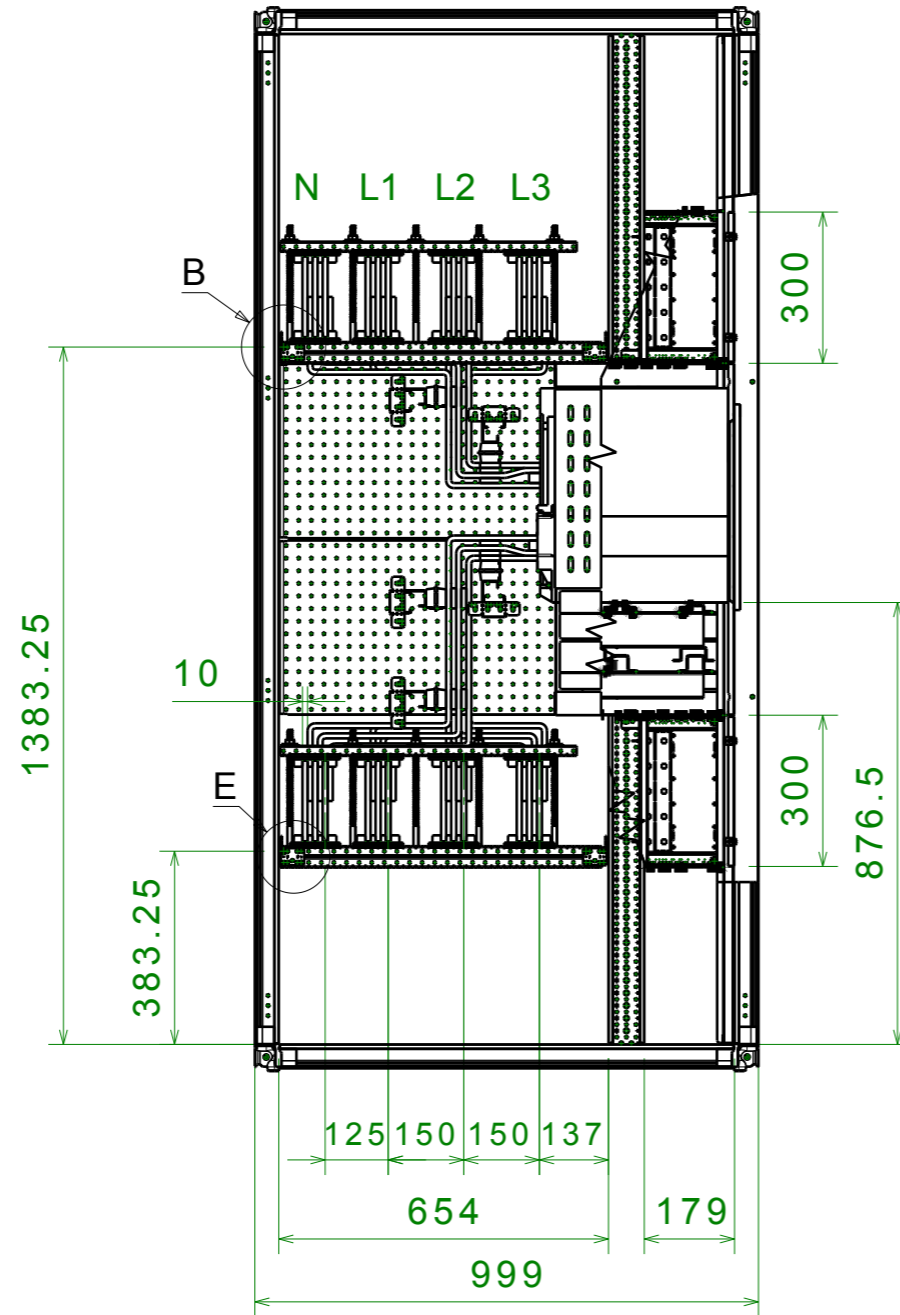
ASSEMBLY DRAWING E6.2 5000A W ALIM BUSBARS 3x160x10xP / 3x200x10xP



Detail B



Detail E



Detail A



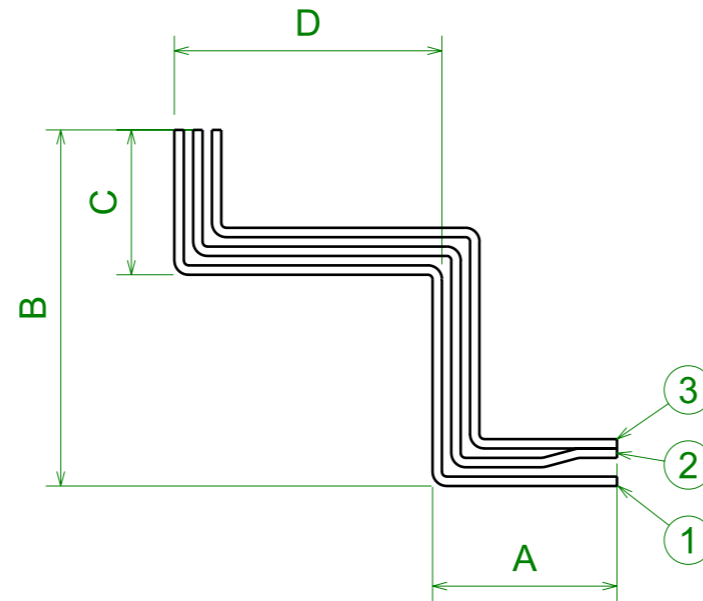
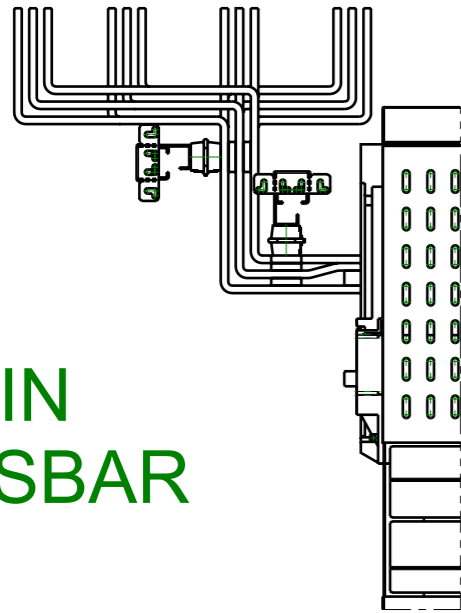
CONNECTION BUSBARS 5x80x10xP

XX	AGG. DI SEGNO	SCALA SCALE	:	
		DISEGNATORE DESIGNER	:	
		APPROVAZIONE APPROVAL	:	
		DATA DATE	: xx-xx-xx	
		FORMATO FORMED	:	Formato A3 Formed
		N° PROGETTO / PROJECT		XXX.XX
		ABB SACE ADB		
		DENOMINAZIONE/NAME:		E6.2 5000A W CONNECTION BUSBARS 5x80x10xP
		DISEGNO N° / DRAWING N°		863861

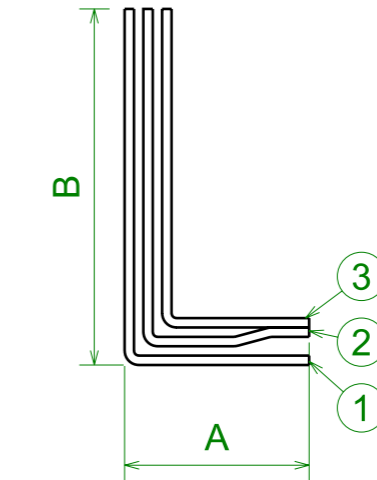
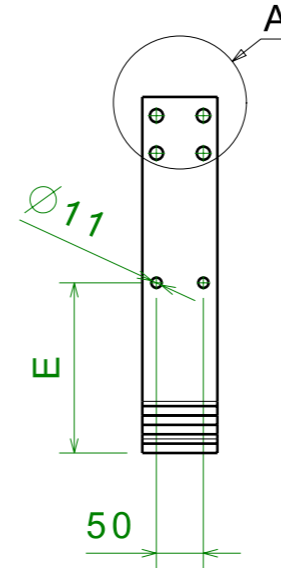
CONNECTIONS FOR E6.2 4P FS WITHDRAWABLE 5000A

SPEP P = 900mm
 BUSBARS HOLDER PBHB3121 (100mm)
 MAIN BUSBAR IP30 / IP31 : 5000A (3x160x10) ; 6300A (3x200x10)

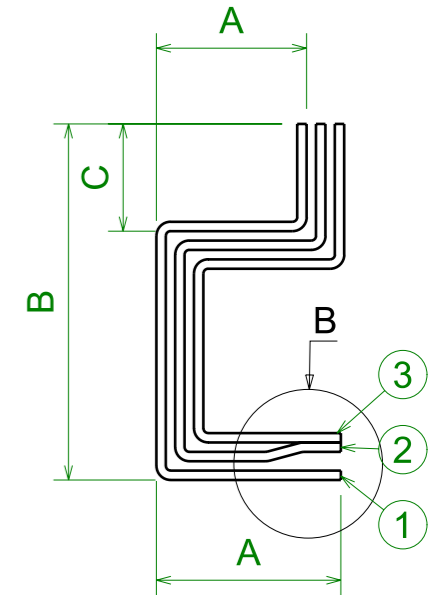
MAIN
 BUSBAR
 UP



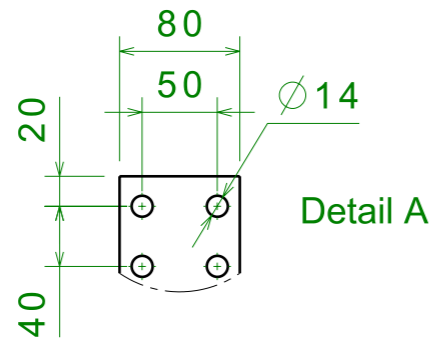
N-L1



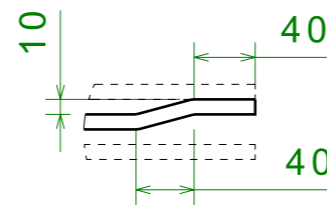
L2



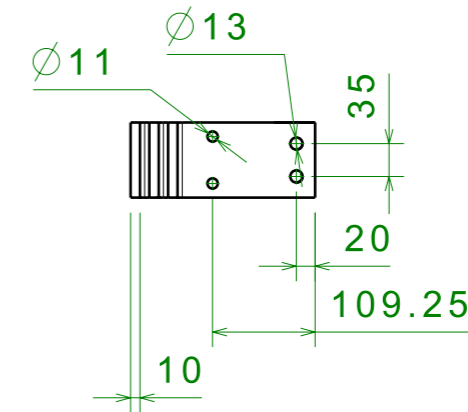
L3



Detail A



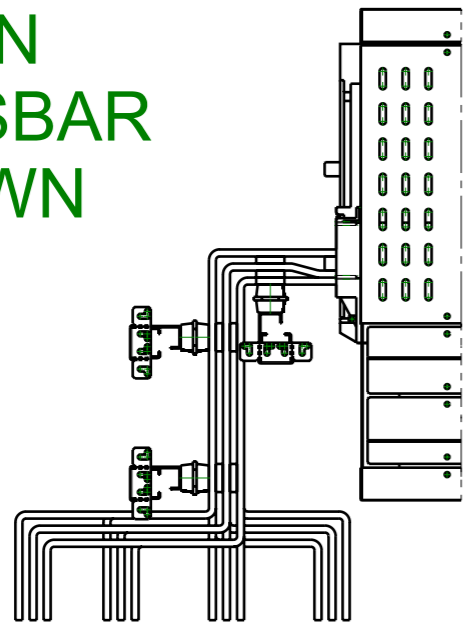
Detail B



PHASE	POS	QTY N100%	QTY N50%	A	B	C	D	E
L3	1 L3.1	2	2	196.5	379.25	114.25	160	181.25
	2 L3.2	2	2	176.5	359.25	134.25		161.25
	3 L3.3	1	1	156.5	339.25	154.25		141.25
L2	1 L2.1	2	2	196.5	379.25	-	-	181.25
	2 L2.2	2	2	176.5	359.25	-	-	161.25
	3 L2.3	1	1	156.5	339.25	-	-	141.25
L1	1 L1.1	2	2	196.5	379.25	154.25	160	181.25
	2 L1.2	2	2	176.5	359.25	134.25		161.25
	3 L1.3	1	1	156.5	339.25	114.25		141.25
N	1 N.1	2	1	196.5	379.25	154.25	285	181.25
	2 N.2	2	1	176.5	359.25	134.25		161.25
	3 N.3	1	1	156.5	339.25	114.25		141.25

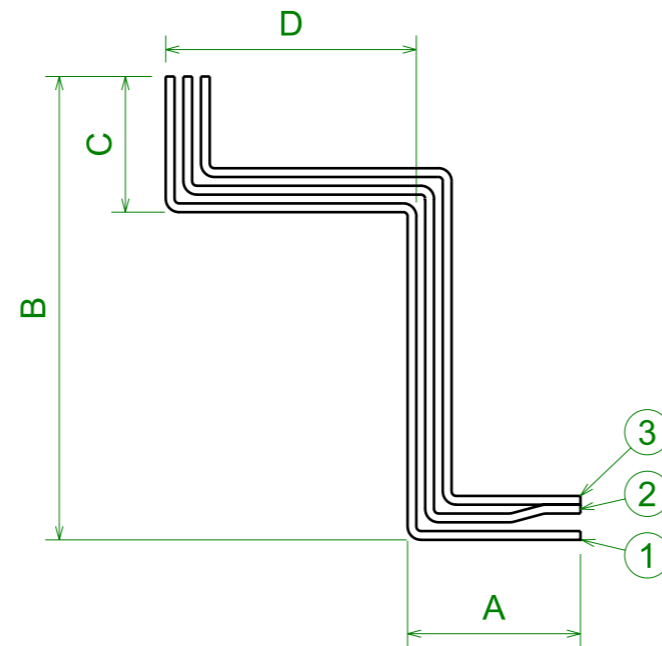
SCALA SCALE :	N° PROGETTO : XXX.XX PROJECT
DISSEGNAZIONE DESIGNER :	ABB ABB SACE ADB
APPROVAZIONE APPROVAL :	DENOMINAZIONE/NAME : E6.2 5000A W CONNECTION BUSBARS 5x80x10xP
DATA DATE : XX-XX-XX	DISEGNO N° /DRAWING N° 8 6 3 8 6 0
FORMATO A3 Formed	

MAIN BUSBAR DOWN

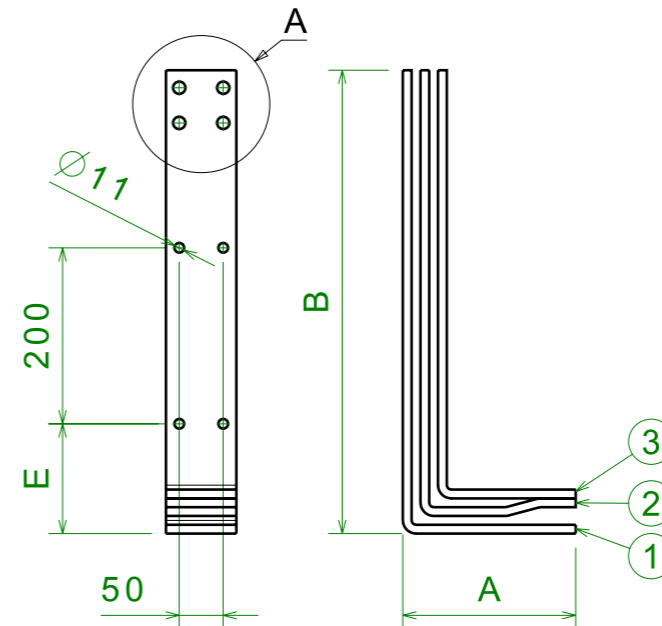


CONNECTIONS FOR E6.2 4P FS WITHDRAWABLE 5000A

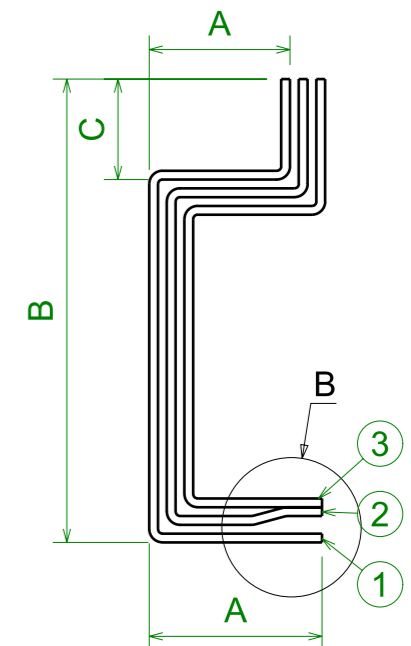
SPEP P = 900mm
 BUSBARS HOLDER PBHB3121 (100mm)
 MAIN BUSBAR IP30 / IP31 : 5000A (3x160x10) ; 6300A (3x200x10)



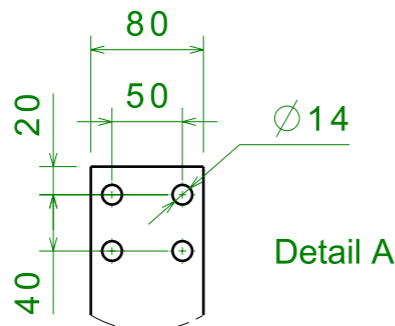
N-L1



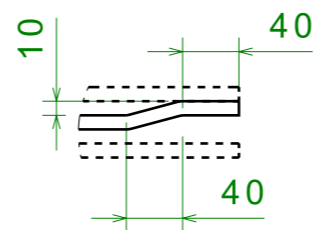
L2



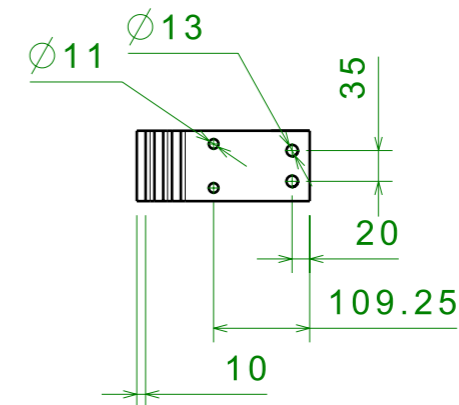
L3



Detail A



Detail B



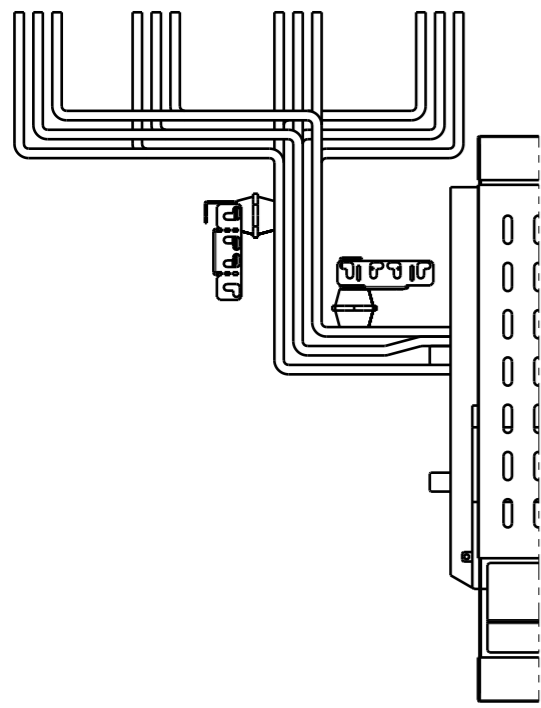
PHASE	POS	QTY N100%	QTY N50%	A	B		C	D	E
					H MAIN BUSBARS 160	200			
L3	1 L3.1	2	2	196.5	526.75	486.75	114.25	160	124.75
	2 L3.2	2	2	176.5	506.75	466.75	134.25		104.75
	3 L3.3	1	1	156.5	486.75	446.75	154.25		84.75
L2	1 L2.1	2	2	196.5	526.75	486.75	-	-	124.75
	2 L2.2	2	2	176.5	506.75	466.75	-		104.75
	3 L2.3	1	1	156.5	486.75	446.75	-		84.75
L1	1 L1.1	2	2	196.5	526.75	486.75	154.25	160	124.75
	2 L1.2	2	2	176.5	506.75	466.75	134.25		104.75
	3 L1.3	1	1	156.5	486.75	446.75	114.25		84.75
N	1 N.1	2	1	196.5	526.75	486.75	154.25	285	124.75
	2 N.2	2	1	176.5	506.75	466.75	134.25		104.75
	3 N.3	1	1	156.5	486.75	446.75	114.25		84.75

SCALA SCALE :	N° PROGETTO : XXX.XX
DISEGNATORE DESIGNER :	PROJECT
APPROVAZIONE : APPROVAL	ABB ABB SACE ADB
DATA DATE : xx-xx-xx	DENOMINAZIONE/NAME:
Formato A3 Formed	E6.2 5000A W CONNECTION BUSBARS 5x80x10xP
DISEGNO N° /DRAWING N°	
8 6 3 8 6 7	

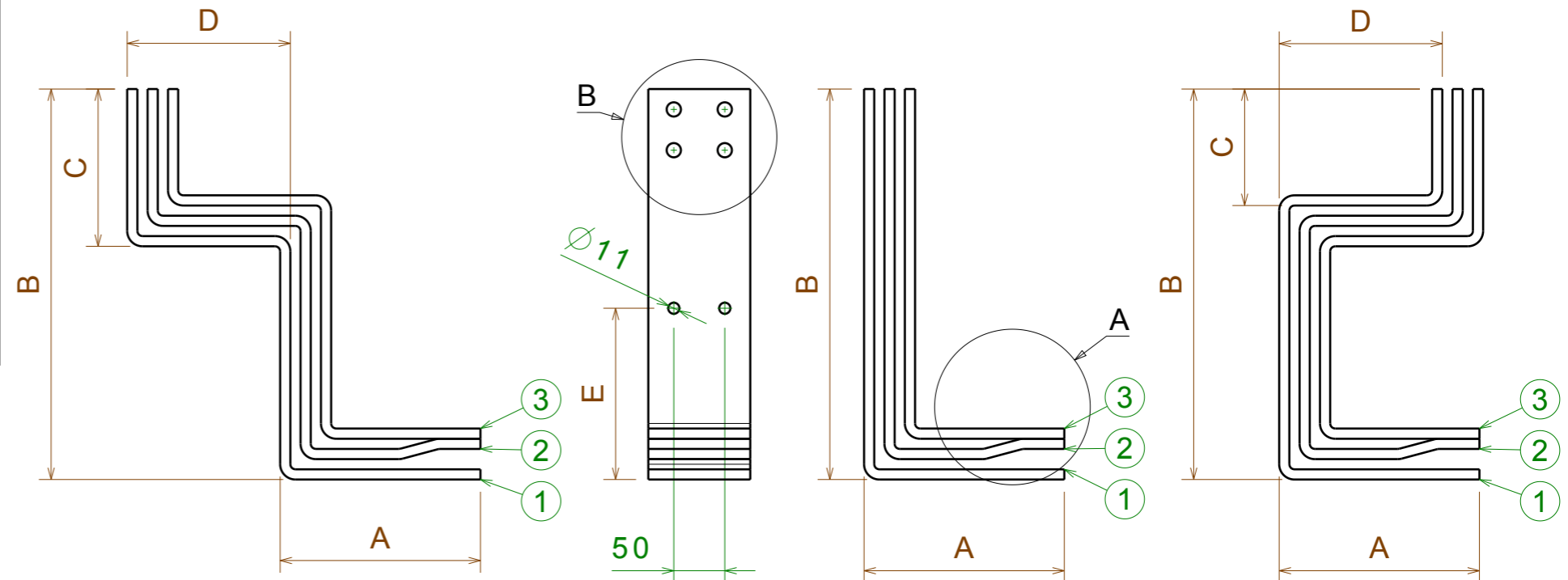
Questo disegno e' di esclusiva proprieta' di ABB SACE ADB. Ne e' vietata la riproduzione a termini di legge

CONNECTIONS FOR E4.2 WITHDRAWABLE 3200A

SPEP P = 900mm
 BUSBARS HOLDER PBHB3121 (100mm)
 MAIN BUSBAR IP40 / IP41 / IP65 : 6300A (3x200x10)



MAIN
 BUSBARS
 UP

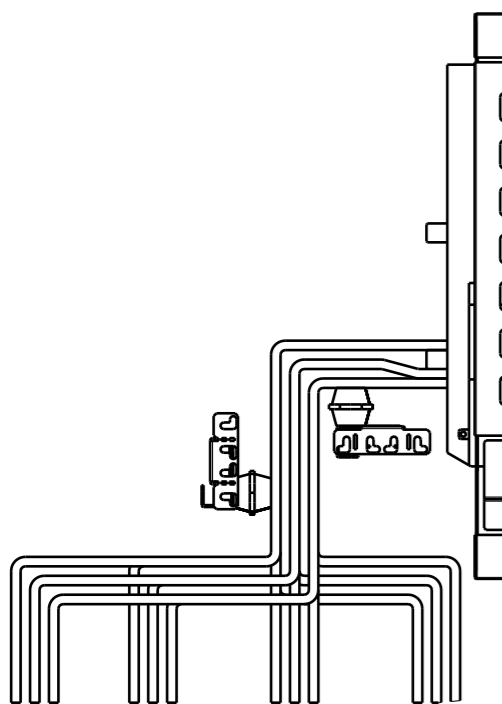
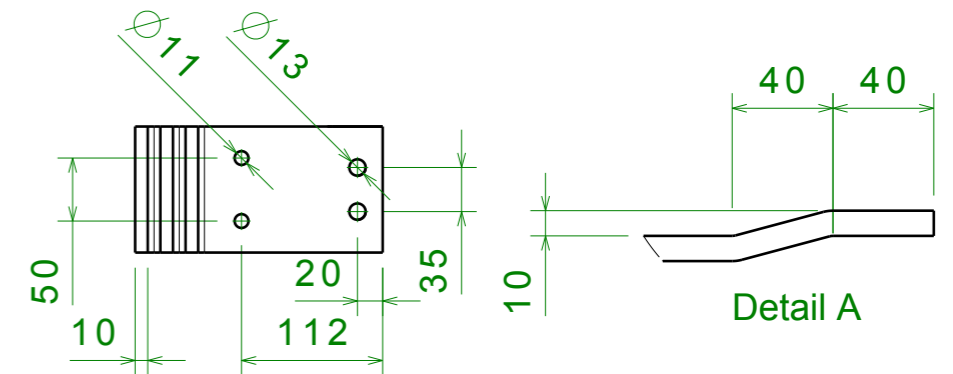
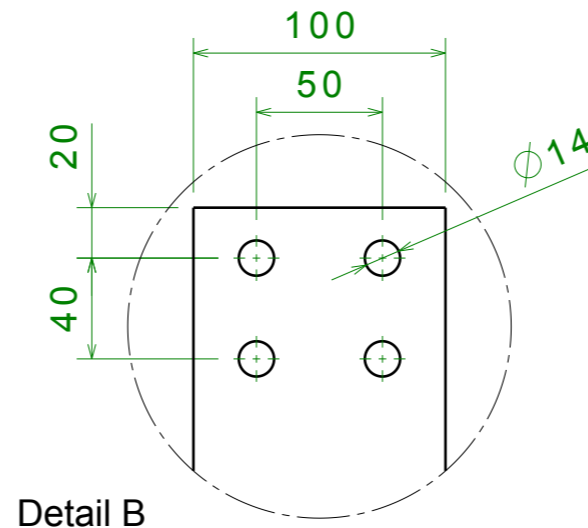


N-L1

L2

L3

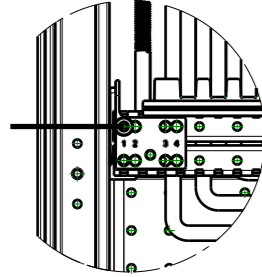
PHASE	POS	A	B	C	D	E
L3	1 L3.1	196.4	383	114.25	160	168
	2 L3.2	176.4	363	134.25	160	148
	3 L3.3	156.4	343	154.25	160	128
L2	1 L2.1	196.4	383	-	-	168
	2 L2.2	176.4	363	-	-	148
	3 L2.3	156.4	343	-	-	128
L1	1 L1.1	196.4	383	154.25	160	168
	2 L1.2	176.4	363	134.25	160	148
	3 L1.3	156.4	343	114.25	160	128
N	1 N.1	196.4	383	154.25	285	168
	2 N.2	176.4	363	134.25	285	148
	3 N.3	156.4	343	114.25	285	128



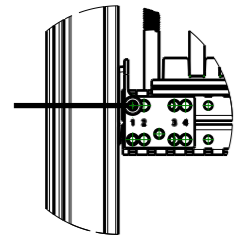
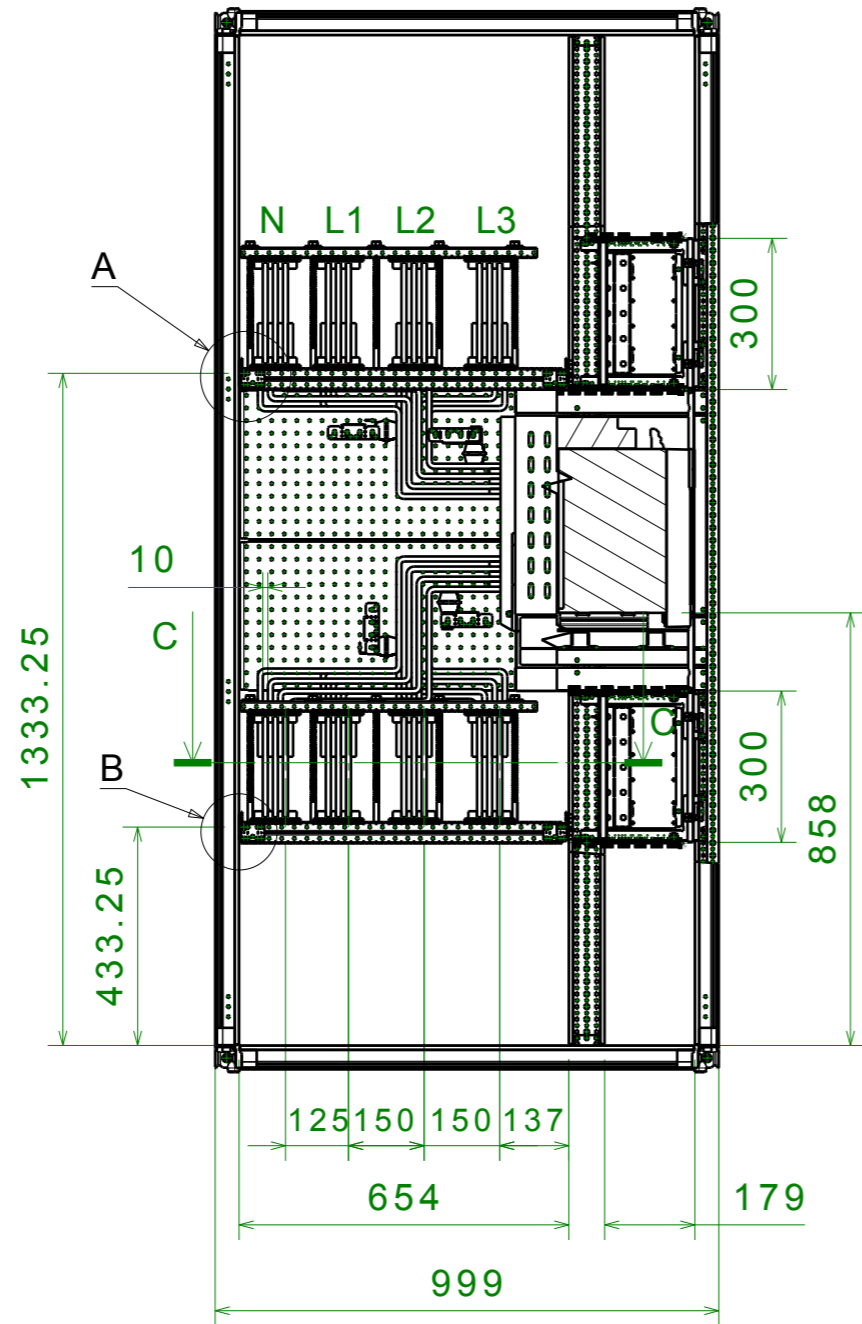
MAIN
 BUSBARS
 DOWN

AGG. DI SEGNO	SCALA SCALE	: 1:6	N° PROGETTO : PROJECT	XXX.XX
DESIGNER	DISEGNATORE DESIGNER	:	ABB SACE ADB	
APPROVAZIONE	APPROVAZIONE	:	DISEGNO N° /DRAWING N°	
DATE	DATE	: xx-xx-xx	E4.2 3200A W CONNECTION BUSBARS 3x100x10xP	
FORMATO	FORMATO	Formato A3 Formed	8 6 3 8 6 6	

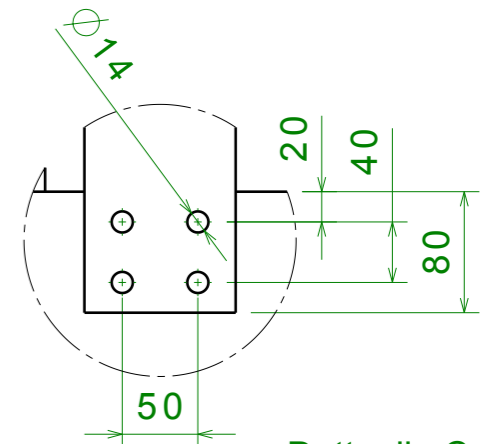
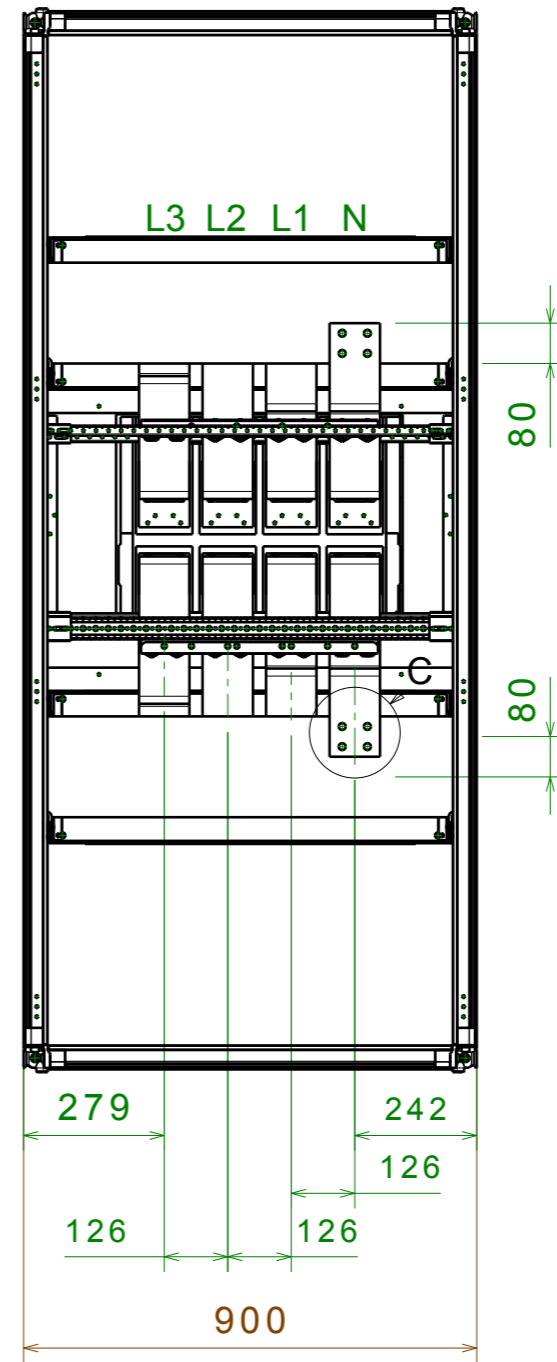
ASSEMBLY DRAWING E4.2 4000A W ALIM BUSBAR 3x200x10xP



Dettaglio A
Scala: 1:5

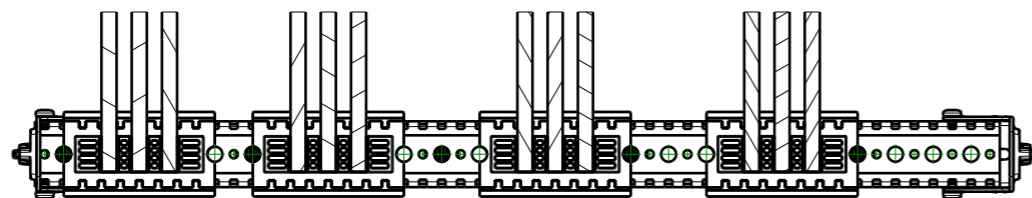


Dettaglio B
Scala: 1:5



Dettaglio C
Scala: 1:5

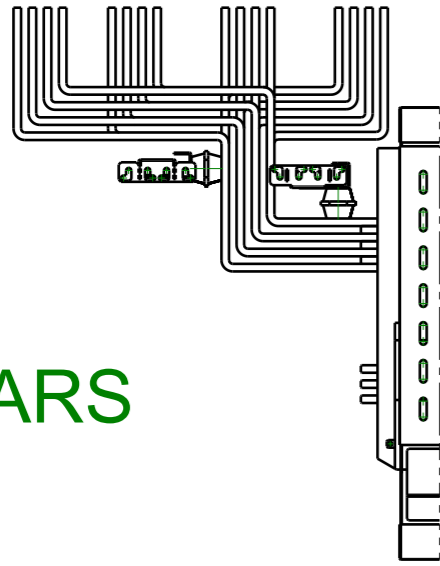
Vista in sezione C-C
Scala: 1:5



CONNECTION BUSBARS 4x100x10xP

AGG. DI SEGNO	SCALA SCALE : 1:15	N° PROGETTO : PROJECT XXX.XX
MODIFICA	DISEGNATORE DESIGNER :	ABB ABB SACE ADB
DATA	APPROVAZIONE : APPROVAL	DENOMINAZIONE/NAME: E4.2 4000A W CONNECTION BUSBARS 4x100x10xP
	DATA DATE : xx-xx-xx	DISEGNO N° /DRAWING N° 8 6 3 9 2 1
	FORMATO A3 Formed	

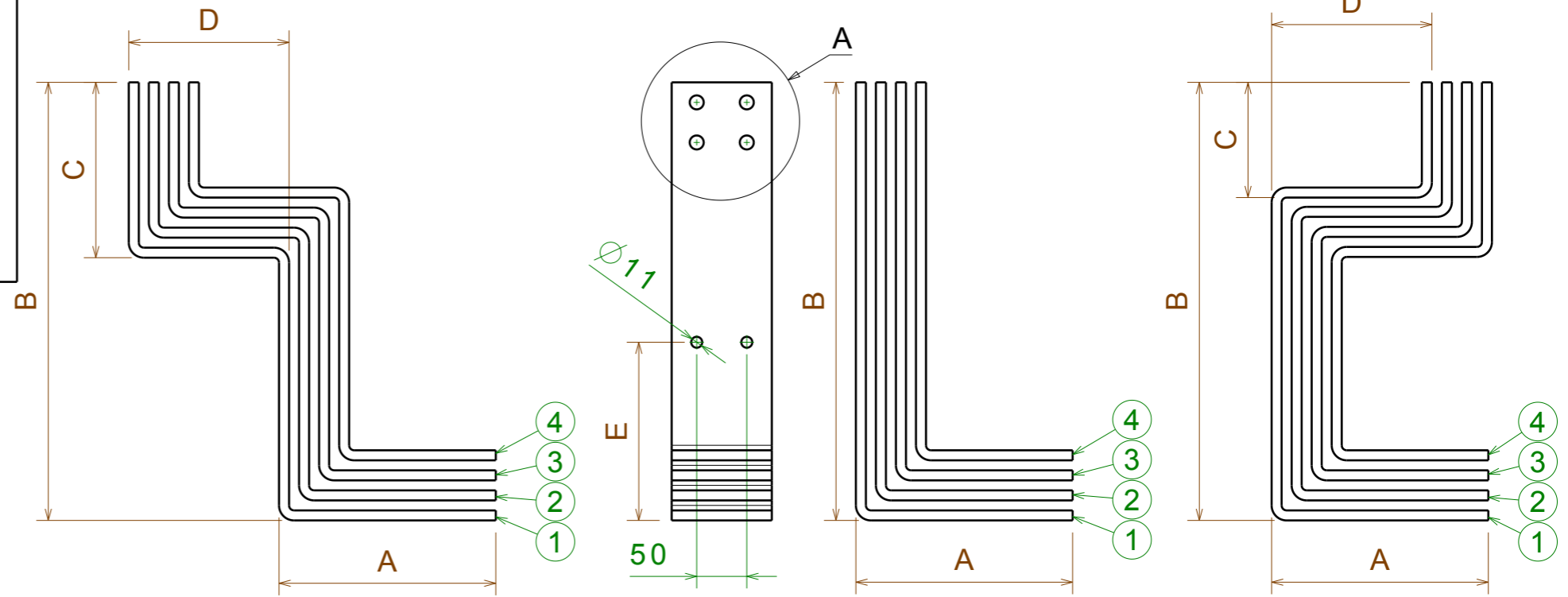
MAIN BUSBARS UP



	B	E	F
L3.1	348.75	136	62
L3.2	328.75	116	62
L3.3	308.75	96	62
L3.4	288.75	76	62
L2.1	348.75	136	62
L2.2	328.75	116	62
L2.3	308.75	96	62
L2.4	288.75	76	62
L1.1	348.75	136	62
L1.2	328.75	116	62
L1.3	308.75	96	62
L1.4	288.75	76	62
N.1	348.75	136	62
N.2	328.75	116	62
N.3	308.75	96	62
N.4	288.75	76	62

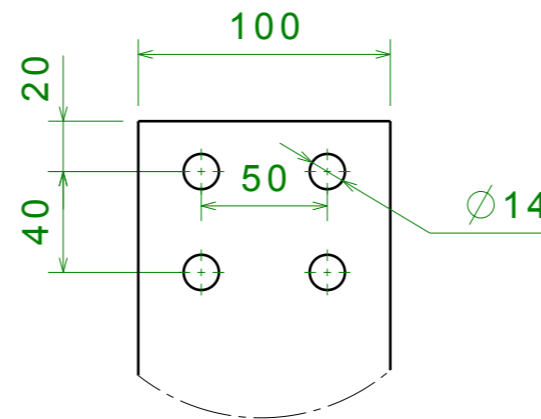
CONNECTIONS FOR E4.2 WITHDRAWABLE 4000A

SPEP P=900mm
 BUSBARS HOLDER PBHB3121 (100mm)
 MAIN BUSBARS IP40 / IP41 / IP65 : 6300A (3x200x10)



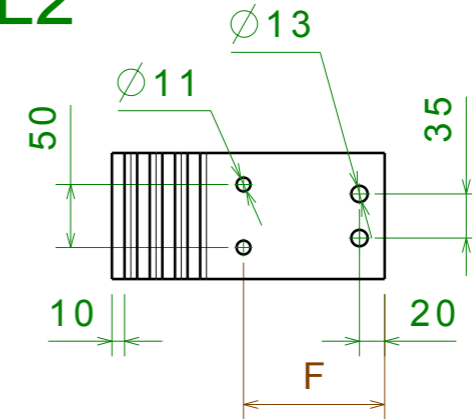
PHASE	POS	A	C	D	
L3	1	L3.1	216.4	115	160
	2	L3.2	196.4	135	160
	3	L3.3	176.4	155	160
	4	L3.4	154.4	175	160
L2	1	L2.1	216.4	-	-
	2	L2.2	196.4	-	-
	3	L2.3	176.4	-	-
	4	L2.4	154.4	-	-
L1	1	L1.1	216.4	175	160
	2	L1.2	196.4	155	160
	3	L1.3	176.4	135	160
	4	L1.4	154.4	115	160
N	1	N.1	216.4	175	285
	2	N.2	196.4	155	285
	3	N.3	176.4	135	285
	4	N.4	154.4	115	285

N-L1



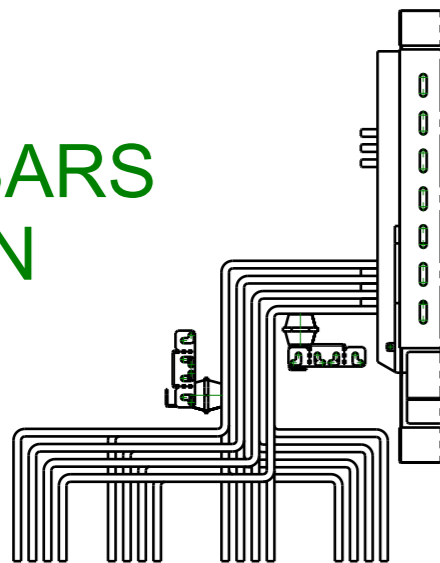
Dettaglio A
 Scala: 1:3

L2



L3

MAIN BUSBARS DOWN



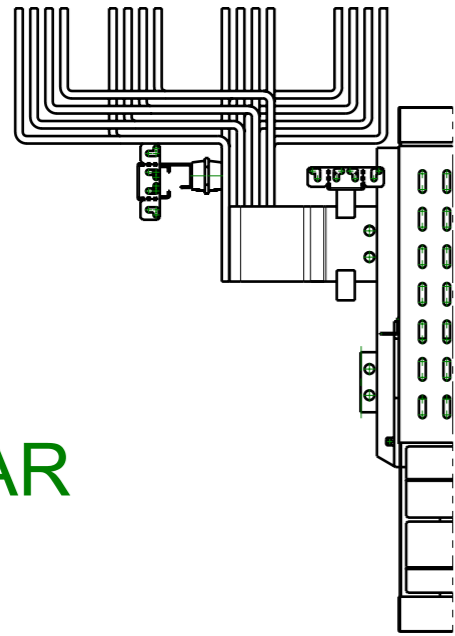
	B	E	F
L3.1	397.25	177.85	112
L3.2	377.25	157.85	112
L3.3	357.25	137.85	112
L3.4	337.25	117.85	112
L2.1	397.25	177.85	112
L2.2	377.25	157.85	112
L2.3	357.25	137.85	112
L2.4	337.25	117.85	112
L1.1	397.25	177.85	112
L1.2	377.25	157.85	112
L1.3	357.25	137.85	112
L1.4	337.25	117.85	112
N.1	397.25	177.85	112
N.2	377.25	157.85	112
N.3	357.25	137.85	112
N.4	337.25	117.85	112

AGG. DI SEGNO	SCALA SCALE : 1:6	N° PROGETTO : XXX.XX
DESIGNER	DESIGNER :	PROJECT
APPROVAZIONE	APPROVAL	ABB ABB SACE ADB
DATE	DATE : xx-xx-xx	DENOMINAZIONE/NAME:
FORMATO	Formato A3 Formed	E4.2 4000A W CONNECTION BUSBAS 4x100x10xP
		DISEGNO N° /DRAWING N°
		8 6 3 9 1 9

CONNECTIONS FOR E6.2 4p FS WITHDRAWABLE 6300A

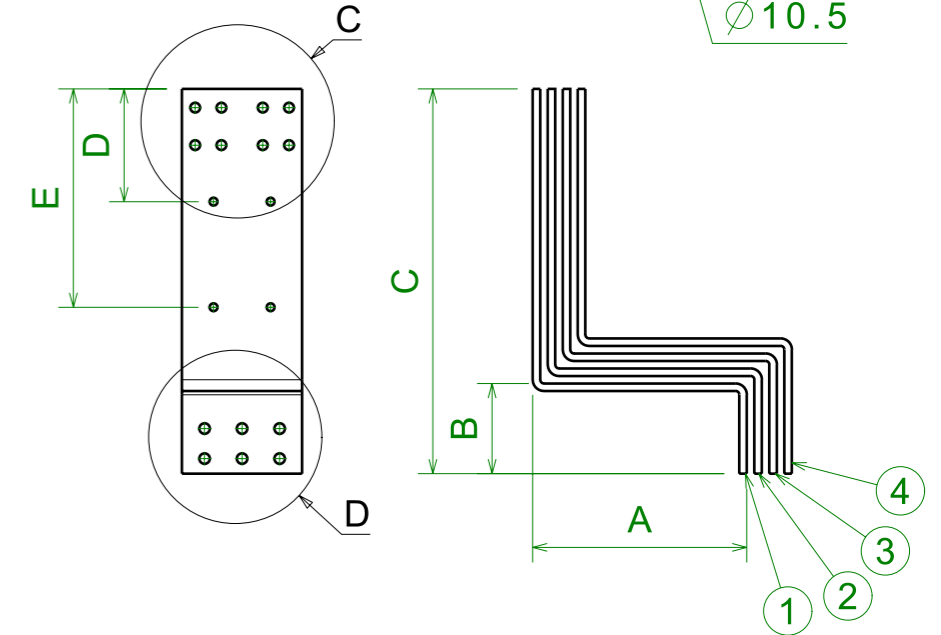
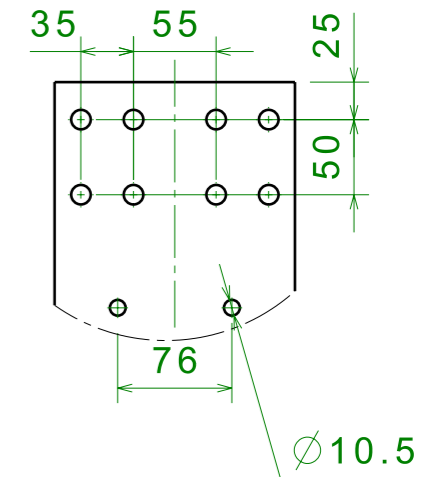
SPEP P = 900mm
 BUSBARS HOLDER PBHB3121 (100mm)
 MAIN BUSBAR IP30 / IP31 : 6300A (3x200x10)

MAIN
BUSBAR
UP

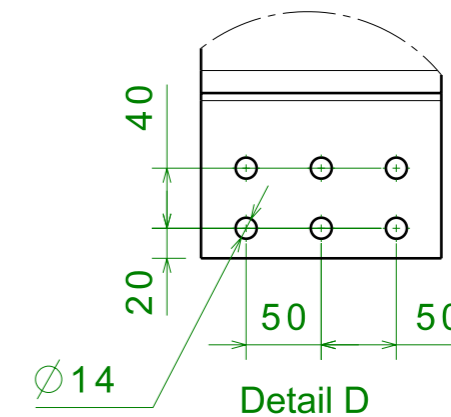


PHASE	POS		Q.tà N100%	A	B	C _(UP)	D	E
L3	1	L3.1	4	160	120	363.75	140.75	-
	2	L3.2			140			
	3	L3.3			160			
	4	L3.4			180			
L2	1	L2.1	4	-	-	363.75	140.75	-
	2	L2.2			-			
	3	L2.3			-			
	4	L2.4			-			
L1	1	L1.1	4	160	120	363.75	140.75	-
	2	L1.2			140			
	3	L1.3			160			
	4	L1.4			180			
N	1	N.1	4	285	120	363.75	140.75	-
	2	N.2			140			
	3	N.3			160			
	4	N.4			180			

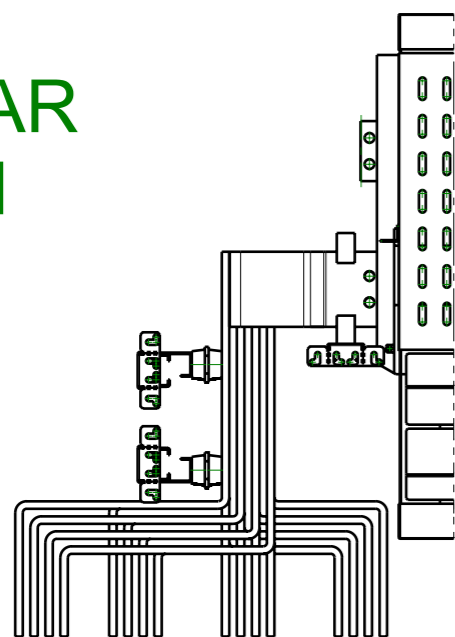
Detail C



PHASE	POS		Q.tà N100%	A	B	C _(DOWN)	D	E
L3	1	L3.1	4	160	120	512.25	150.25	290.75
	2	L3.2			140			
	3	L3.3			160			
	4	L3.4			180			
L2	1	L2.1	4	-	-	512.25	150.25	290.75
	2	L2.2			-			
	3	L2.3			-			
	4	L2.4			-			
L1	1	L1.1	4	160	120	512.25	150.25	290.75
	2	L1.2			140			
	3	L1.3			160			
	4	L1.4			180			
N	1	N.1	4	285	120	512.25	150.25	290.75
	2	N.2			140			
	3	N.3			160			
	4	N.4			180			

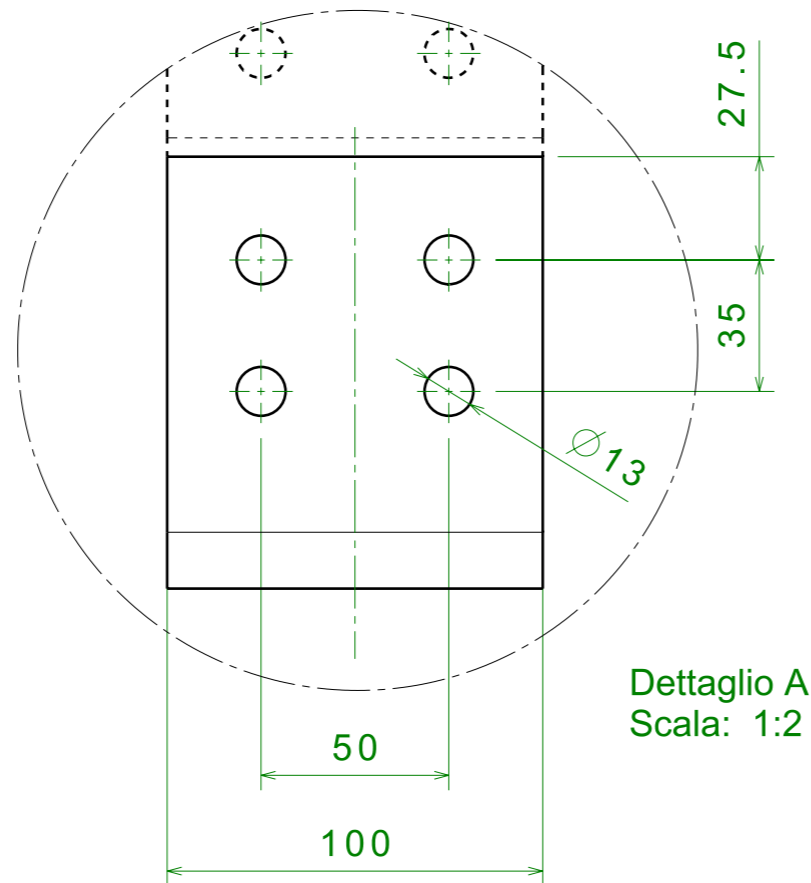
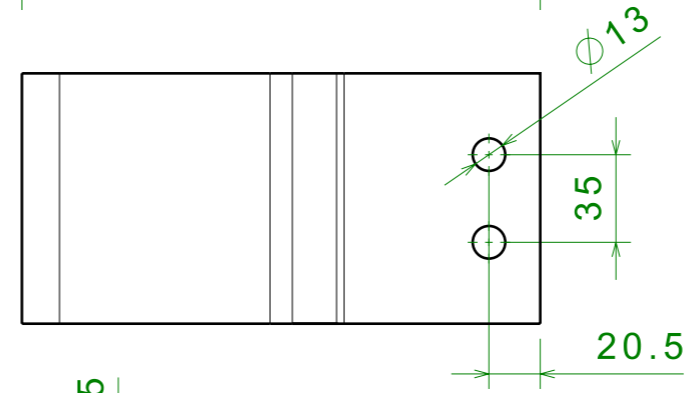
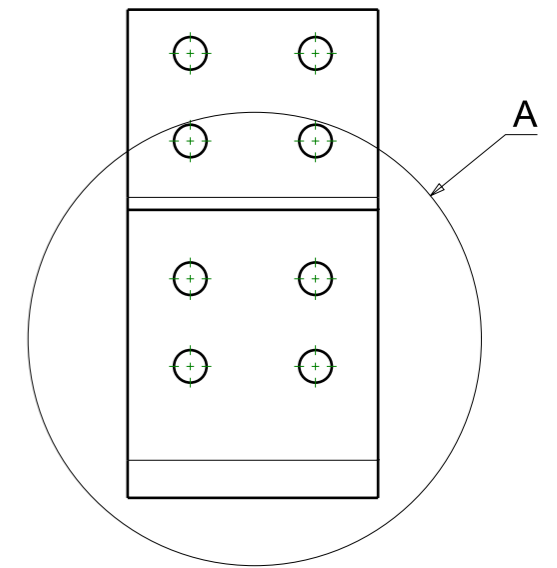
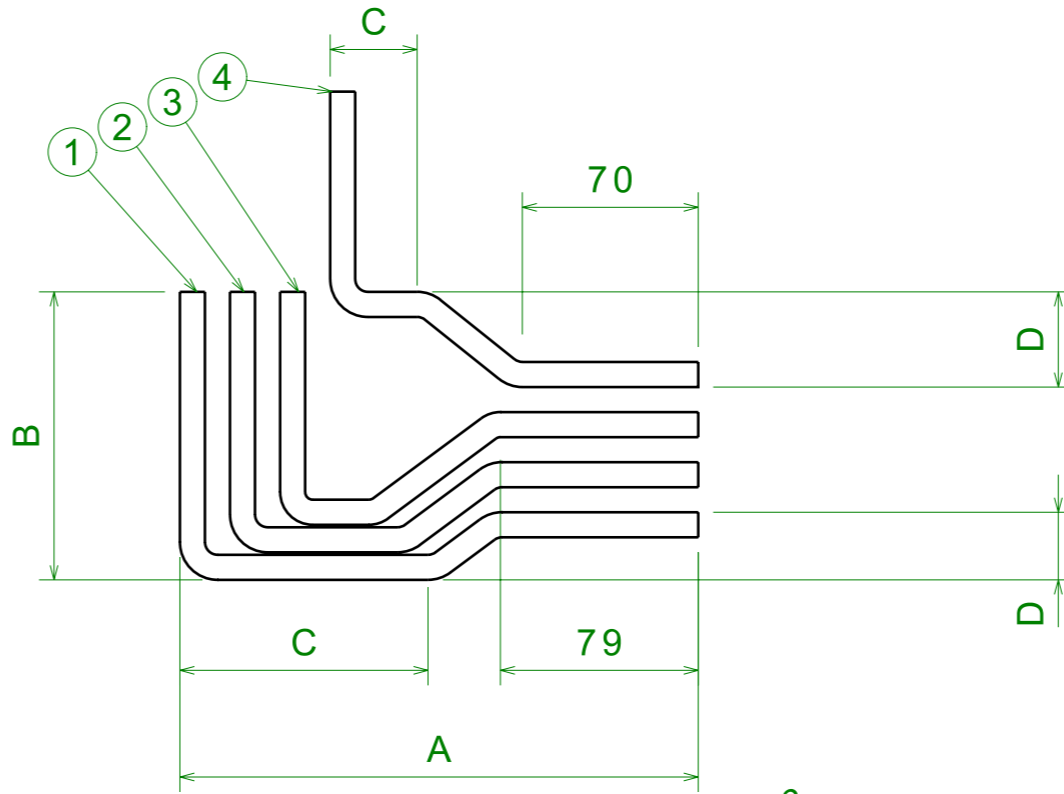
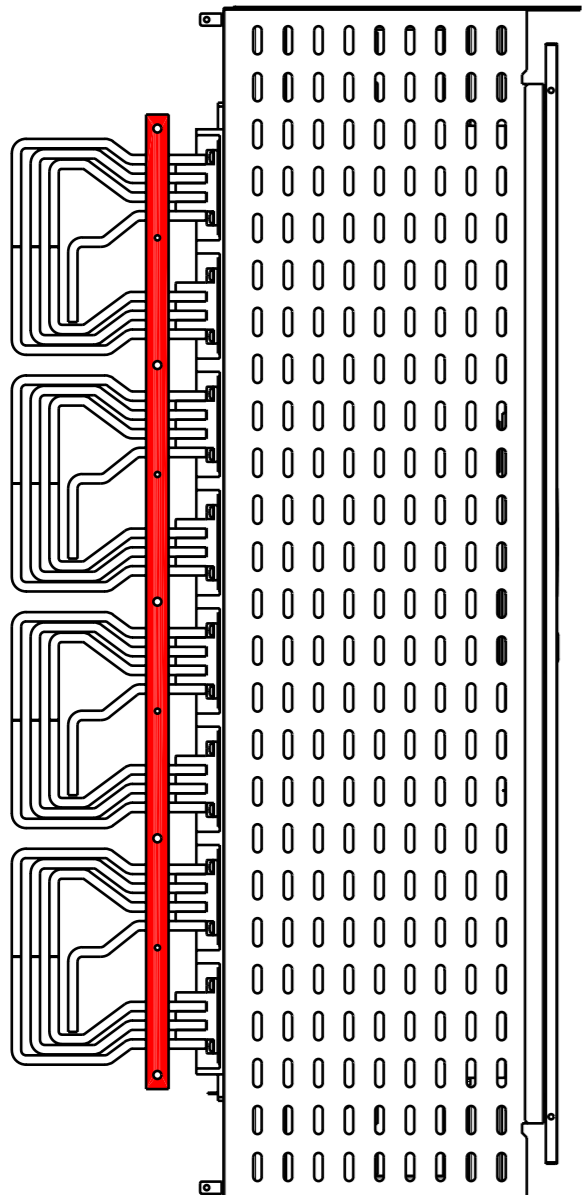
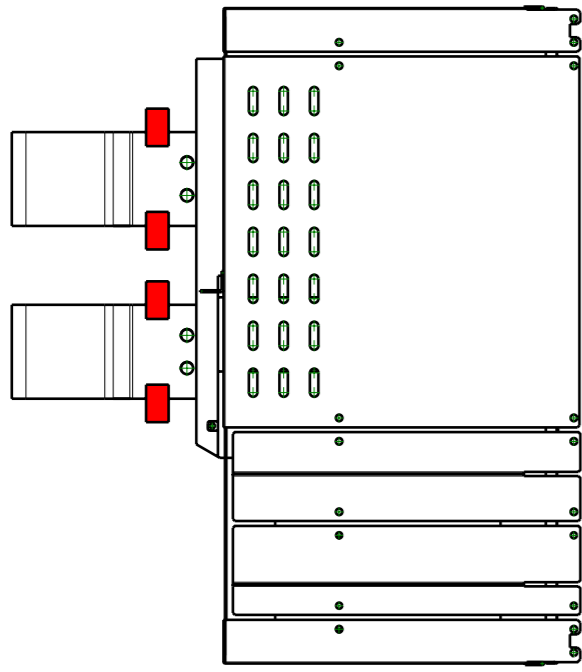


MAIN
BUSBAR
DOWN



SCALA SCALE	:		N° PROGETTO : PROJECT	XXX.XX
DISSEGNAZIONE DESIGNER	:		ABB SACE ADB	
APPROVAZIONE APPROVAL	:		DENOMINAZIONE/NAME:	
DATA DATE	: XX-XX-XX		E6.2 6300A W CONNECTION BUSBARS 4x160x10xP	
FORMATO FORMED	:	Formato A3 Formed	DISEGNO N° /DRAWING N° 8 6 3 8 6 2	

CONNECTIONS FOR E6.2 WITHDRAWABLE 6300A



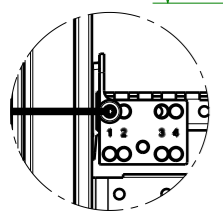
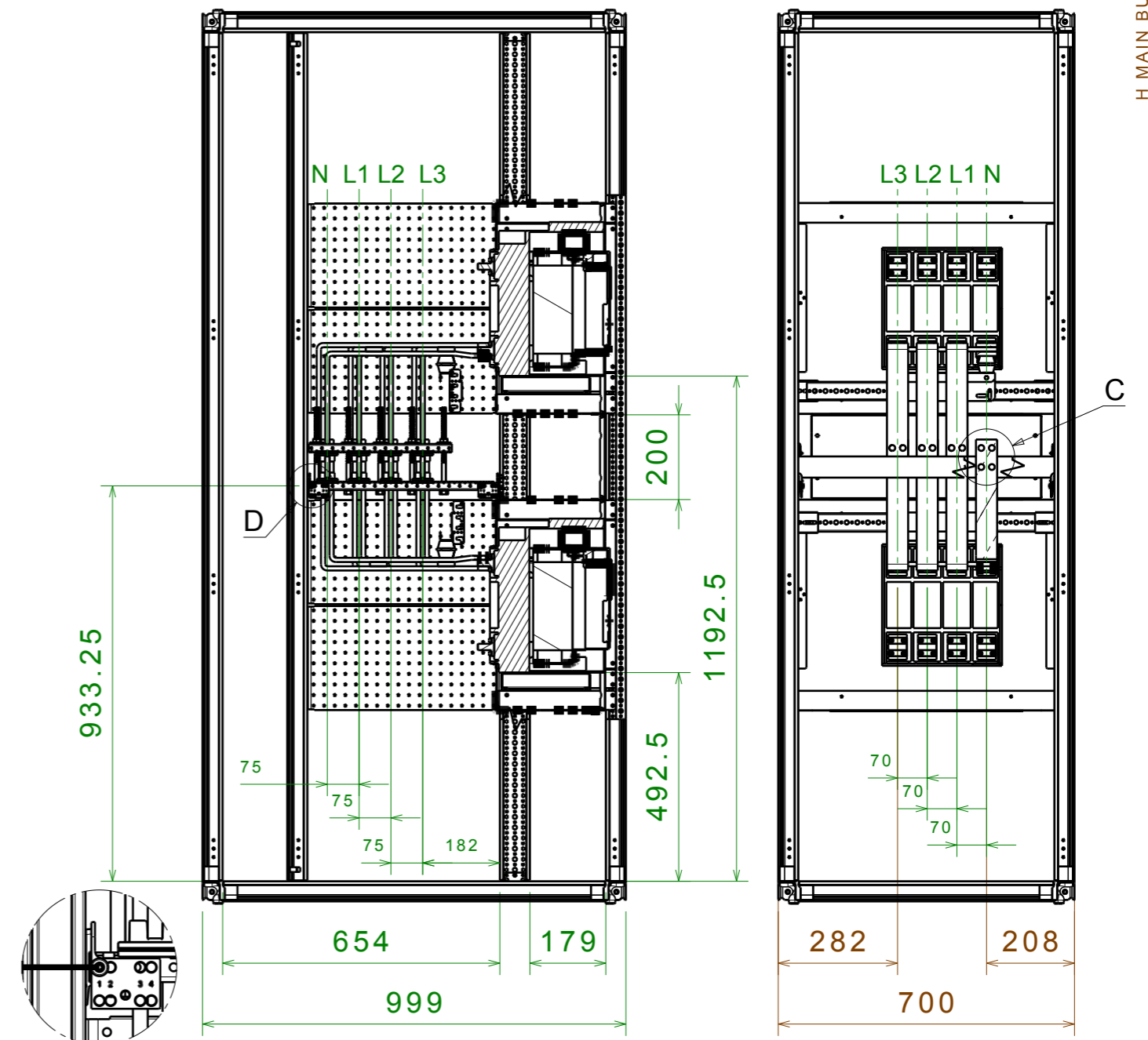
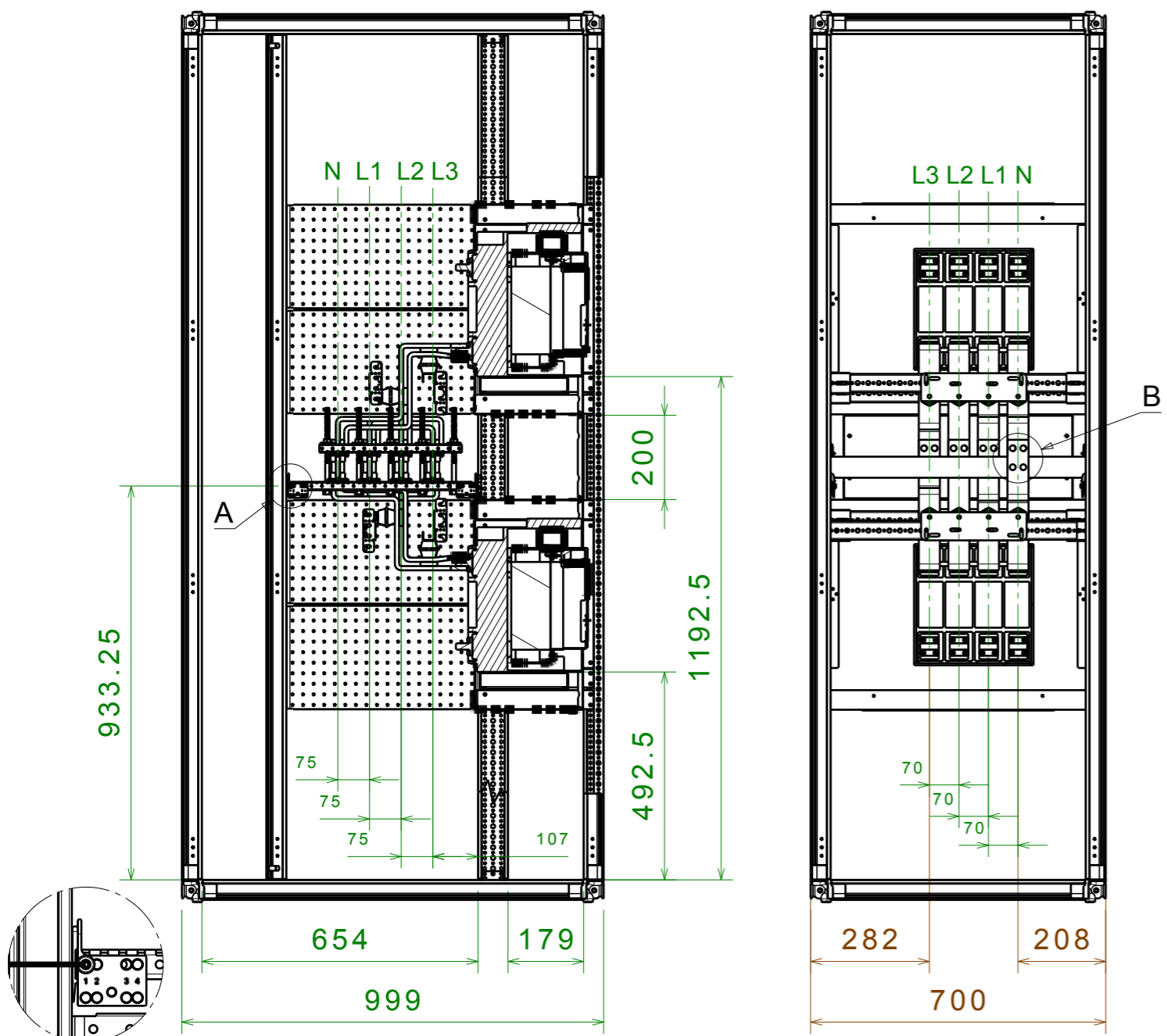
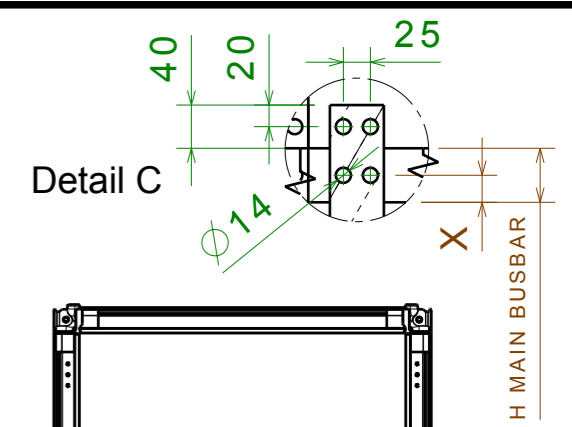
Dettaglio A
Scala: 1:2

N100%					
POS	QTY	A	B	C	D
1	8	307	115	99	27
2	8	287	104	66.9	36
3	8	267	93	35.4	45
4	4	247	118	34.75	38

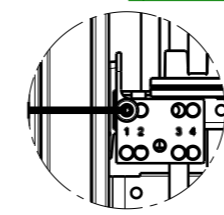
SCALA SCALE	:		
DISEGNATORE DESIGNER	:		N° PROGETTO : PROJECT XXX.XX
APPROVAZIONE APPROVAL	:		ABB ABB SACE ADB
DATA DATE	: xx-xx-xx		DENOMINAZIONE/NAME: E6.2 6300A W CONNECTION BUSBARS 4x160x10xP
FORMATO FORMED	:	Formato A3 Formed	DISEGNO N° /DRAWING N° 8 6 3 8 6 3

ASSEMBLY DRAWING
E1.2 1000A/1250A W
(COUPLER COLUMN) $I_{cw} > 36kA$

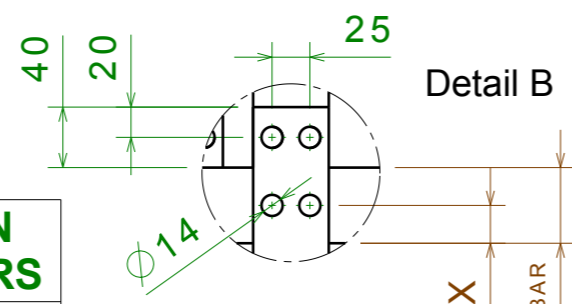
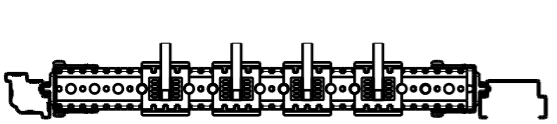
ASSEMBLY DRAWING
E1.2 1000A/1250A W
(COUPLER COLUMN) $I_{cw} \leq 36kA$



Detail A



Detail D



Detail B

H MAIN BUSBARS	
	40 50
X	20 25

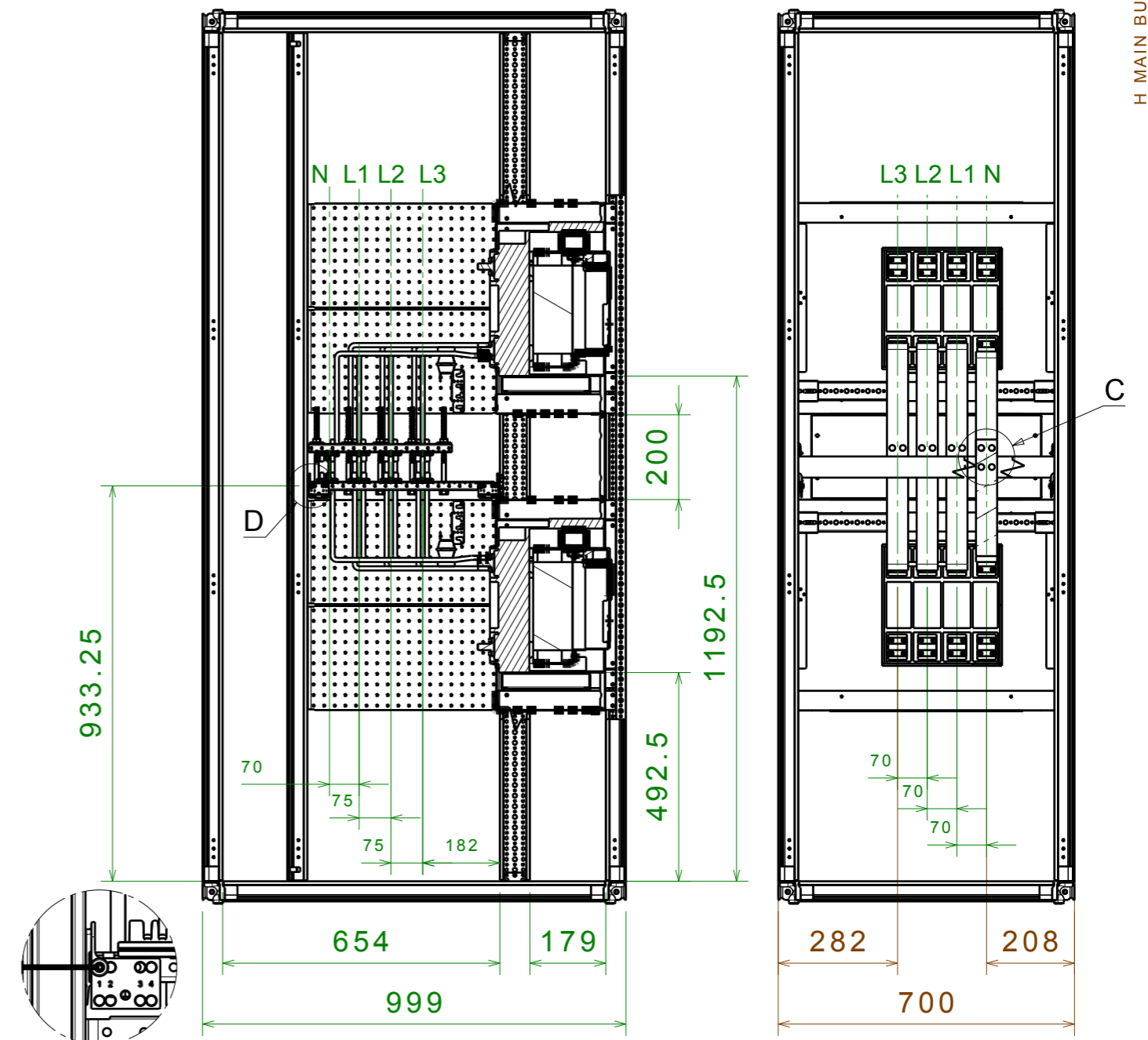
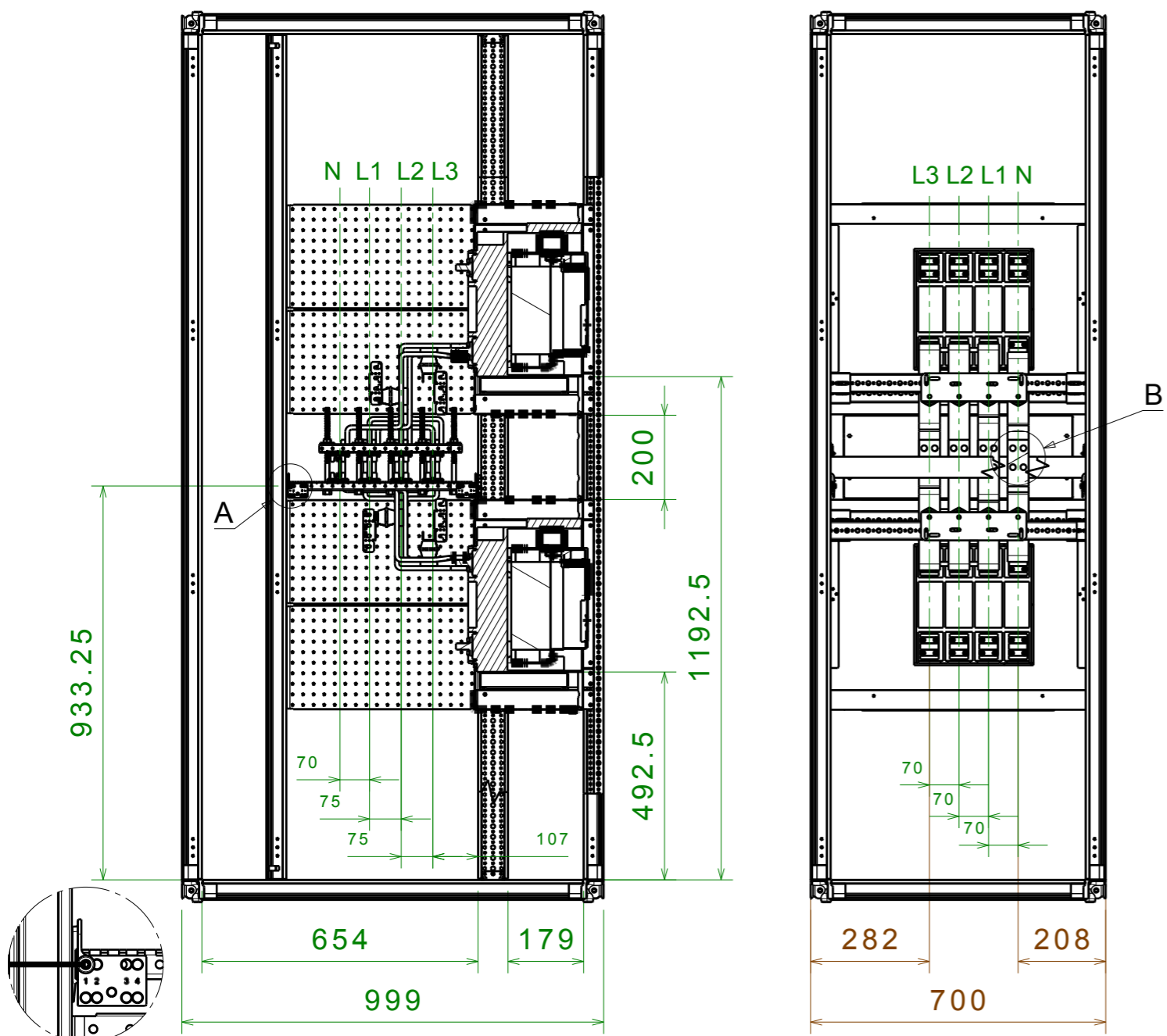
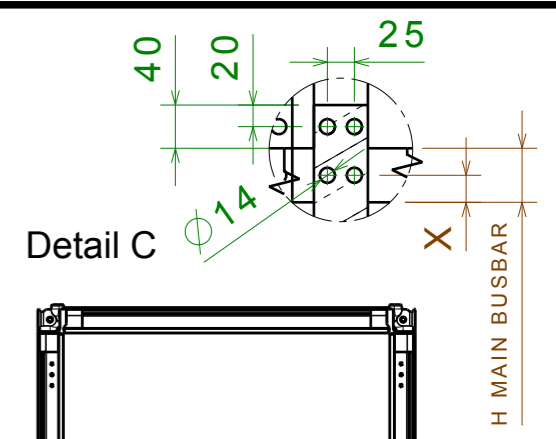
CONNECTION BUSBAR 2x50x10xP

AGG. DI SEGNO	SCALA SCALE : 1:14	N° PROGETTO / PROJECT : XXX.XX
DESIGNER	DISEGNATORE / DESIGNER :	ABB SACE ADB
APPROVAZIONE / APPROVAL	APPROVAZIONE / APPROVAL :	DENOMINAZIONE/NAME : E1.2 1000A/1250A W (COUPLER COLUMN) CONNECTION BUSBARS 2x50x10xP
DATA DATE : xx-xx-xx	FORMATO A3 Formed	DISEGNO N° / DRAWING N° : 8 6 3 8 5 5

Questo disegno e' di esclusiva proprieta' di ABB SACE ADB. Ne e' vietata la riproduzione e termini di legge

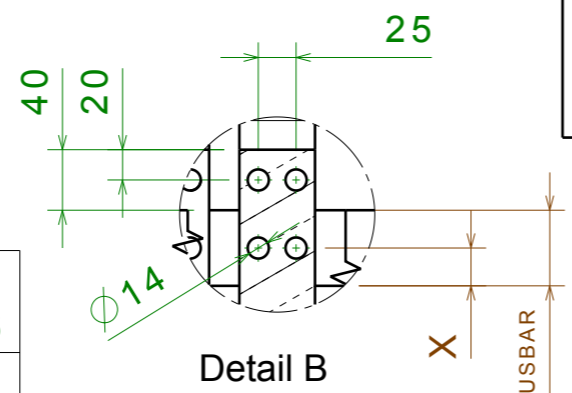
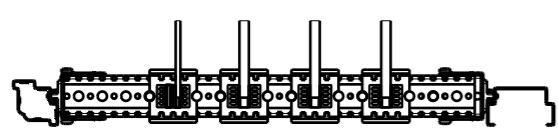
ASSEMBLY DRAWING
E1.2 1000A/1250A W
(COUPLER COLUMN) $I_{cw} > 36kA$

ASSEMBLY DRAWING
E1.2 1000A/1250A W
(COUPLER COLUMN) $I_{cw} \leq 36kA$



Detail A

Detail D



Detail B

H MAIN BUSBARS		
	40	50
X	20	25

CONNECTION BUSBAR 2x50x10xP + 1x50x10xN

AGG. DI SEGNO	SCALA SCALE : 1:14	N° PROGETTO / PROJECT : XXX.XX
DESIGNER	DISEGNATORE / DESIGNER :	ABB SACE ADB
APPROVAZIONE / APPROVAL	APPROVAZIONE / APPROVAL :	DENOMINAZIONE/NAME : E1.2 1000A/1250A W (COUPLER COLUMN) CONNECTION BUSBARS 2x50x10xP + 1x50x10xN
MODIFICA	DATA DATE : xx-xx-xx	DISEGNO N° / DRAWING N° : 8 6 3 8 9 5
DATA	Formato A3 Formed	

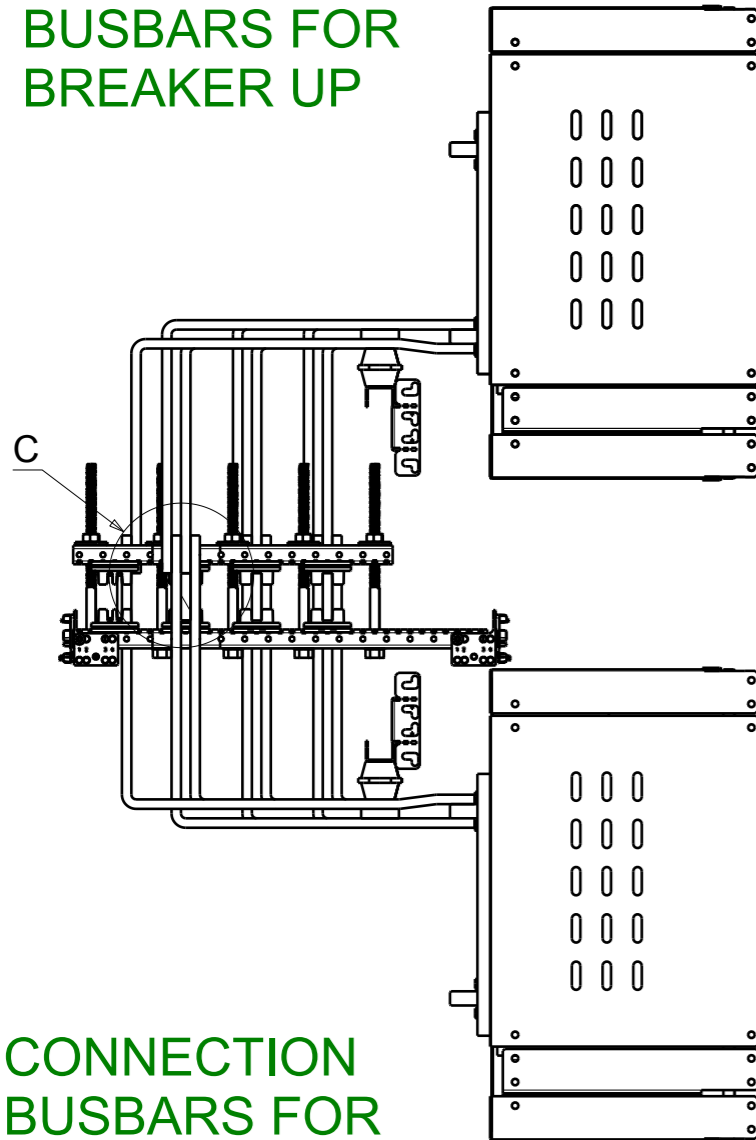
Questo disegno e' di esclusiva proprieta' di ABB SACE ADB. Ne e' vietata la riproduzione e termini di legge

CONNECTIONS FOR E1.2 WITHDRAWABLE 1000A/1250A (COUPLER COLUMN) $I_{cw} \leq 36KA$

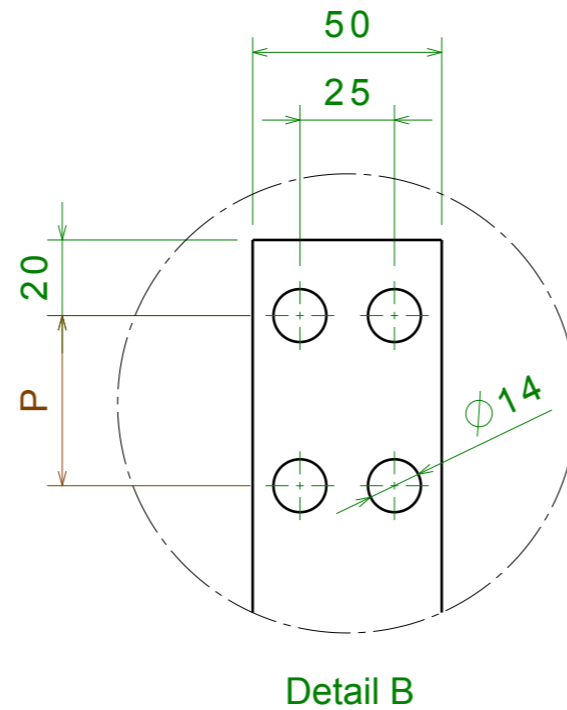
SPEP P = 700mm
 BUSBARS HOLDER PBHB1125 (50mm)
 MAIN BUSBAR WITH N 50% IP30 / IP31 : 1000A (1x40x10) ; 1250A (1x50x10)

PHASE	POS		A	B	C	P
L3	1	L3.1	180.6	267.75	-	-
	2	L3.2	160.6	247.75	-	-
L2	1	L2.1	255.6	267.75	-	-
	2	L2.2	235.6	247.75	-	-
L1	1	L1.1	330.6	267.75	270	-
	2	L1.2	310.6	247.75	270	-
N	1	-	-	-	-	-
	2	N.2	363.1	247.75	270	-

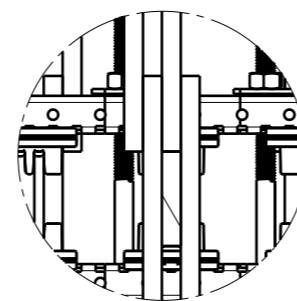
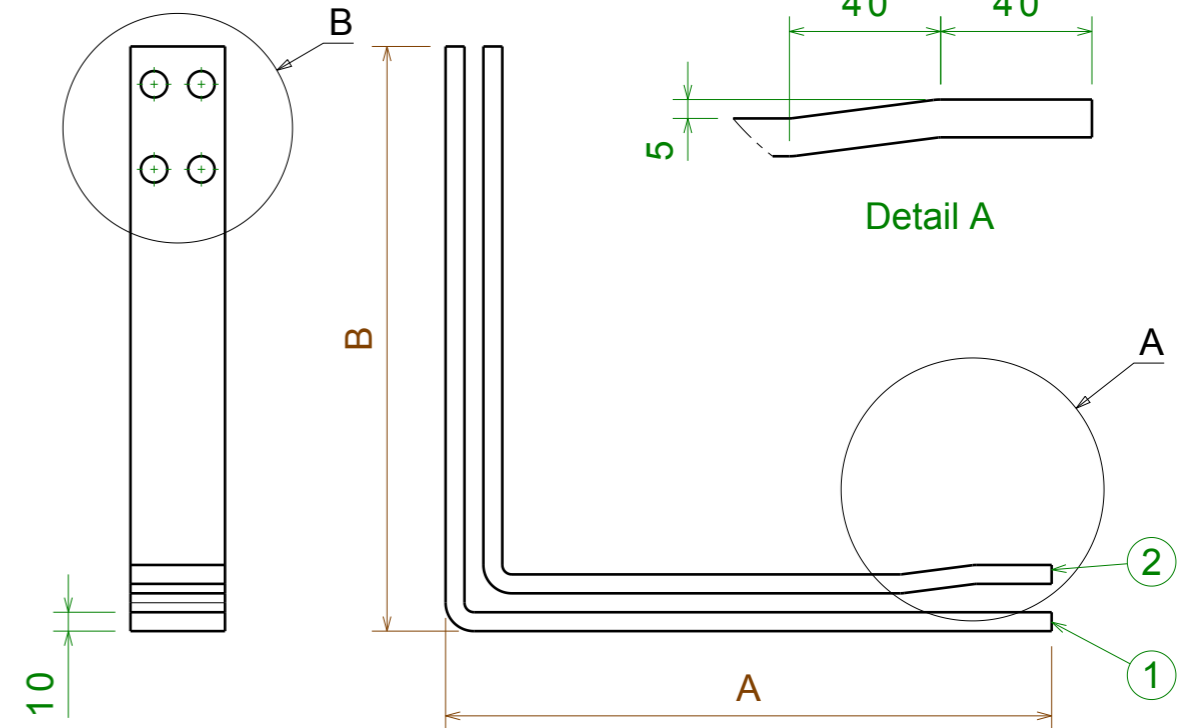
CONNECTION
BUSBARS FOR
BREAKER UP



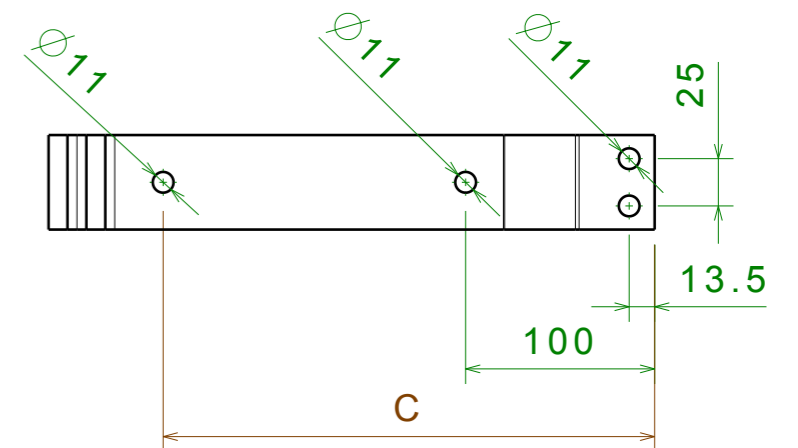
CONNECTION
BUSBARS FOR
BREAKER DOWN



Detail B



Detail C

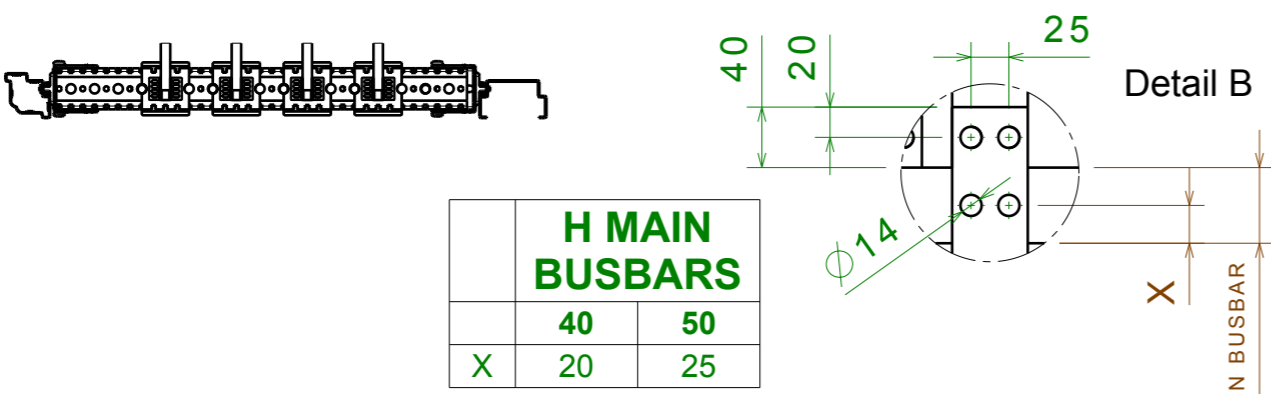
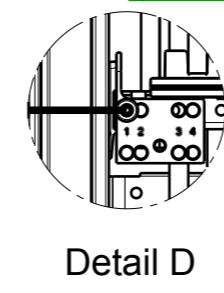
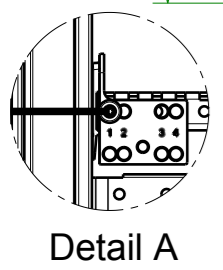
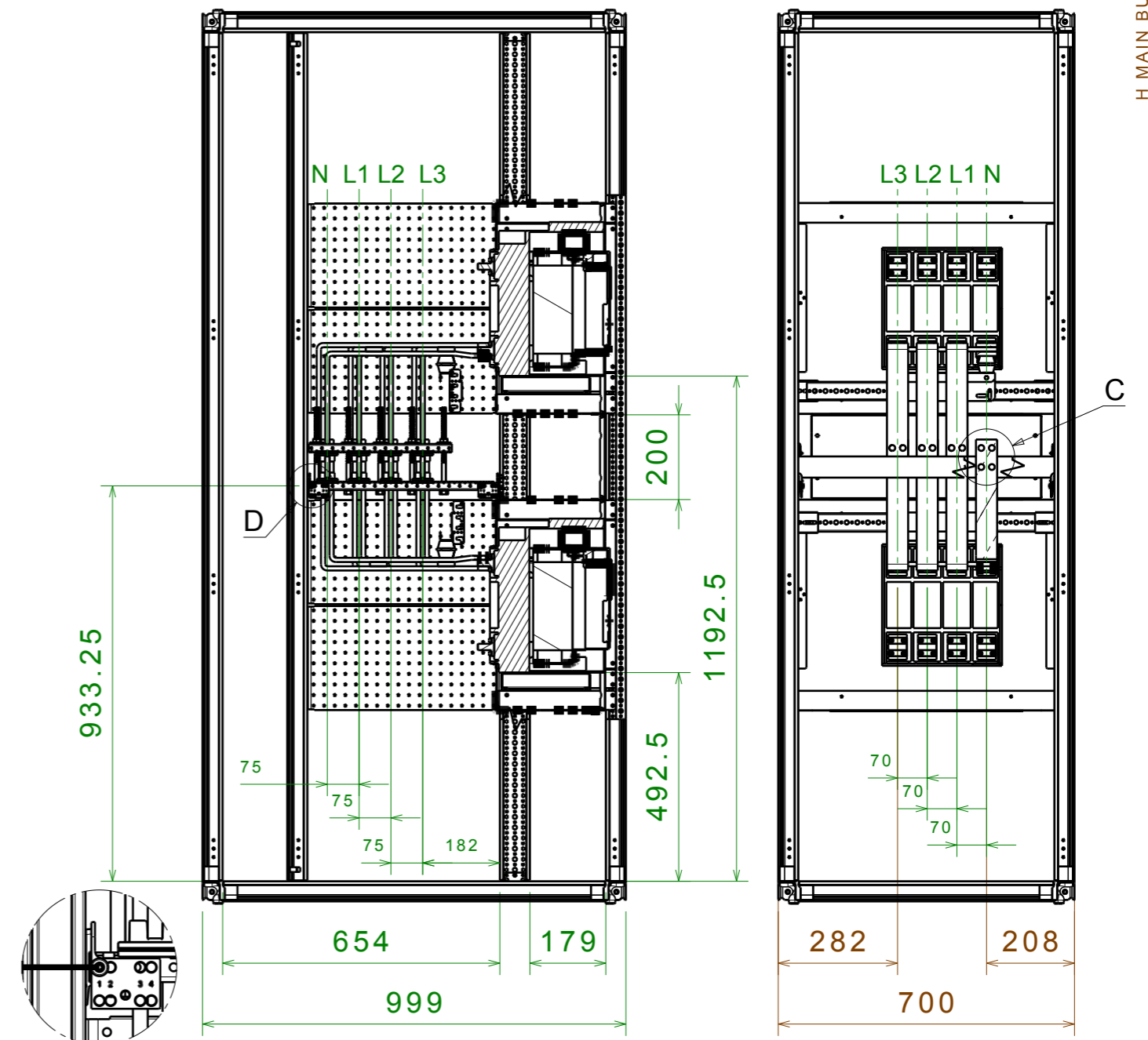
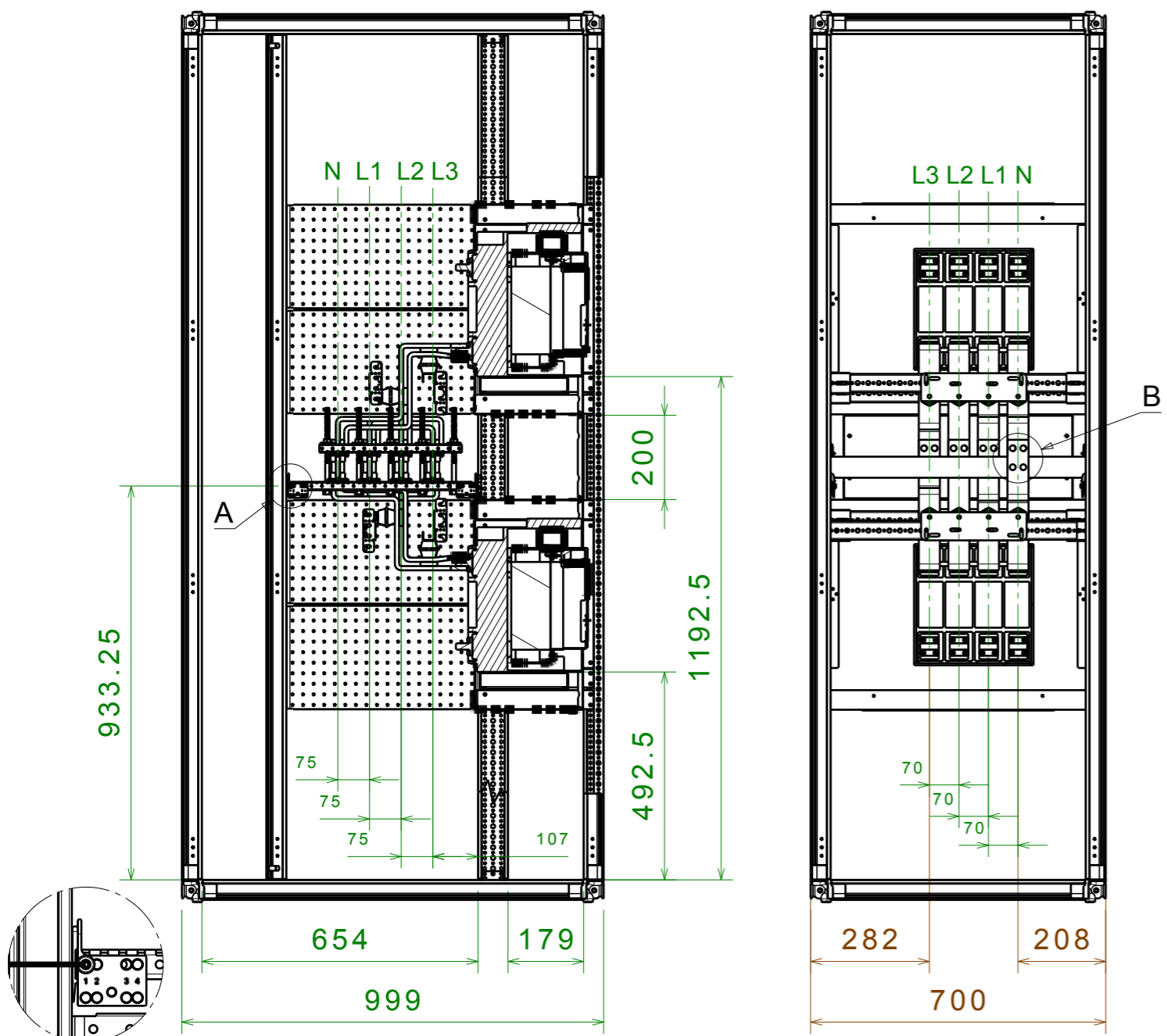
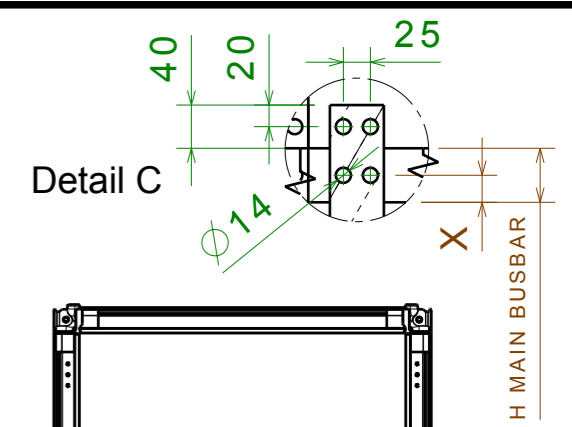


PHASE	POS		A	B	C	P	
						H MAIN BUSBAR	
L3	1	L3.1	170.6	309.25	-	50	45
	2	L3.2	150.6	289.25	-	50	45
L2	1	L2.1	245.6	309.25	-	50	45
	2	L2.2	225.6	289.25	-	50	45
L1	1	L1.1	320.6	309.25	260	50	45
	2	L1.2	300.6	289.25	260	50	45
N	1	-	-	-	-	-	-
	2	N.2	373.1	289.25	260	50	45

SCALA SCALE	: 1:4	N° PROGETTO : PROJECT	XXX.XX
DISEGNATORE DESIGNER	:	ABB SACE ADB	
APPROVAZIONE APPROVAL	:	DISEGNO N° /DRAWING N°	
DATA DATE	: xx-xx-xx	E1.2 1000A/1250A W (COUPLER COLUMN) CONNECTION BUSBARS 2x50x10xP + 1x50x10xN	
FORMATO FORMED	Formato A3 Formed	8 6 3 8 9 6	

ASSEMBLY DRAWING
E1.2 1000A/1250A W
(COUPLER COLUMN) $I_{cw} > 36kA$

ASSEMBLY DRAWING
E1.2 1000A/1250A W
(COUPLER COLUMN) $I_{cw} \leq 36kA$



H MAIN BUSBARS	
	40 50
X	20 25

CONNECTION BUSBAR 2x50x10xP

AGG. DI SEGNO	SCALA SCALE : 1:14	N° PROGETTO / PROJECT : XXX.XX
DESIGNER	DISEGNATORE / DESIGNER :	ABB SACE ADB
APPROVAZIONE / APPROVAL	APPROVAZIONE / APPROVAL :	DENOMINAZIONE/NAME : E1.2 1000A/1250A W (COUPLER COLUMN) CONNECTION BUSBARS 2x50x10xP
DATA DATE : xx-xx-xx	FORMATO A3 Formed	DISEGNO N° / DRAWING N° : 8 6 3 8 5 5

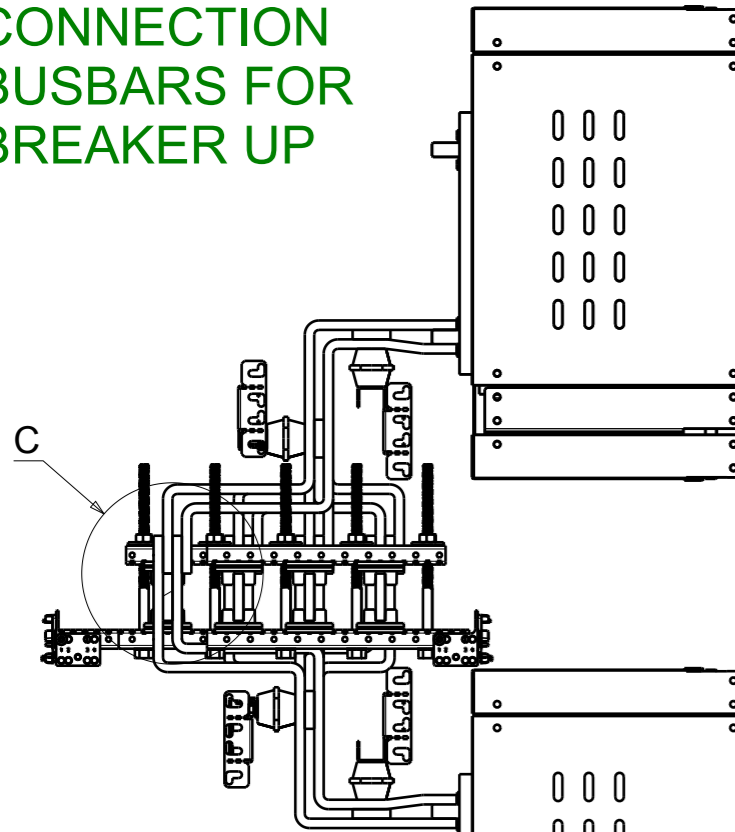
Questo disegno e' di esclusiva proprieta' di ABB SACE ADB. Ne e' vietata la riproduzione e termini di legge

CONNECTIONS FOR E1.2 WITHDRAWABLE 1000A/1250A (COUPLER COLUMN) $I_{cw} > 36KA$

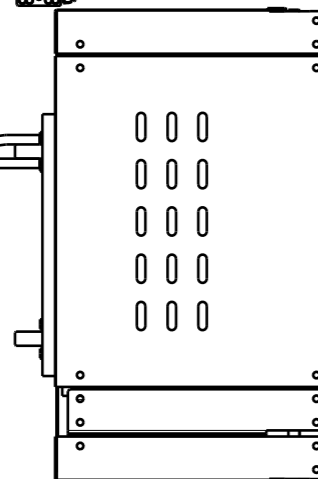
SPEP P = 700mm
 BUSBARS HOLDER PBHB1125 (50mm)
 MAIN BUSBAR IP30 / IP31 : 1000A (1x40x10) ; 1250A (1x50x10)

	A	B	C	P
L3.1	160.6	267.75	74.25	-
L3.2	140.6	247.75	94.25	-
L2.1	160.6	267.75	-	-
L2.2	140.6	247.75	-	-
L1.1	160.6	267.75	94.25	-
L1.2	140.6	247.75	74.25	-
N.1	160.6	267.75	94.25	-
N.2	140.6	247.75	74.25	-

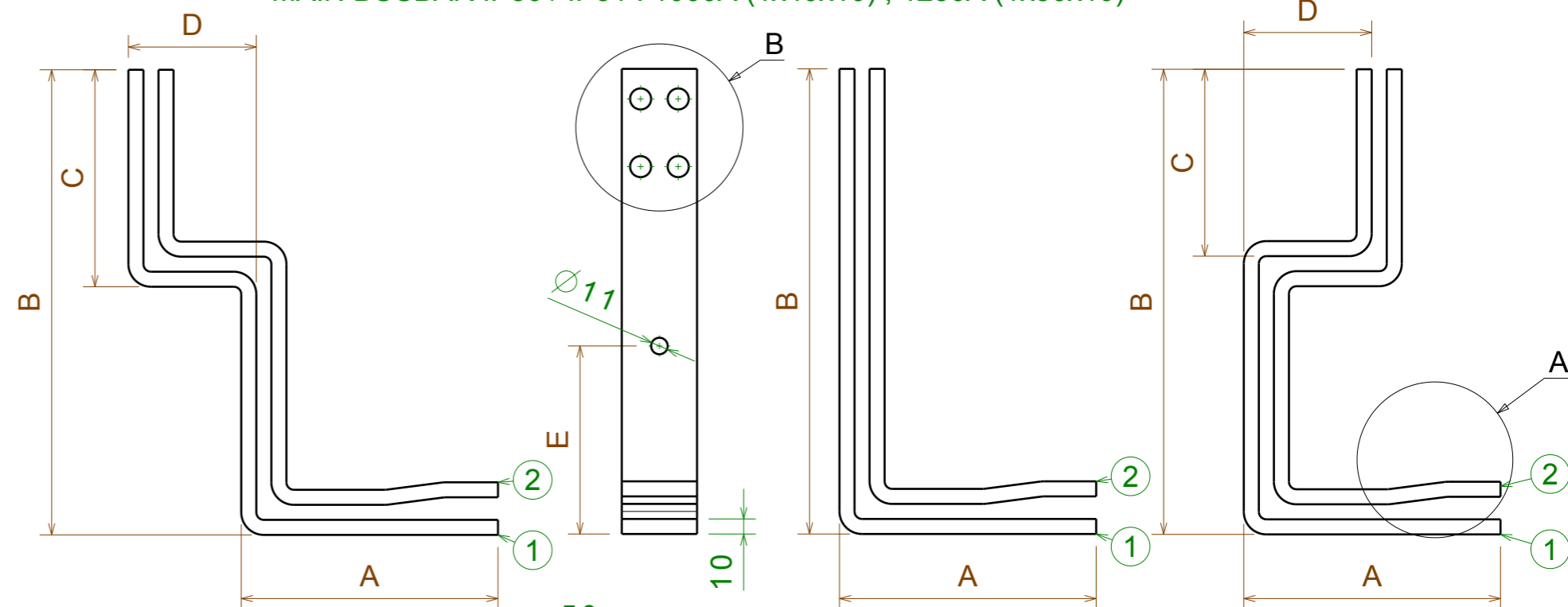
CONNECTION
 BUSBARS FOR
 BREAKER UP



CONNECTION
 BUSBARS FOR
 BREAKER DOWN



	A	B	C	P	
				H MAIN BUSBAR	
L3.1	170.6	309.25	124.25	40	50
L3.2	150.6	289.25	144.25	50	45
L2.1	170.6	309.25	-	50	45
L2.2	150.6	289.25	-	50	45
L1.1	170.6	309.25	144.25	50	45
L1.2	150.6	289.25	124.25	50	45
N.1	170.6	309.25	144.25	50	45
N.2	150.6	289.25	124.25	50	45

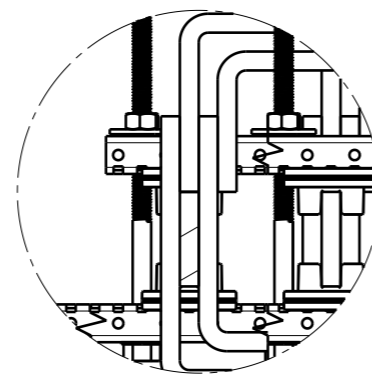


N-L1

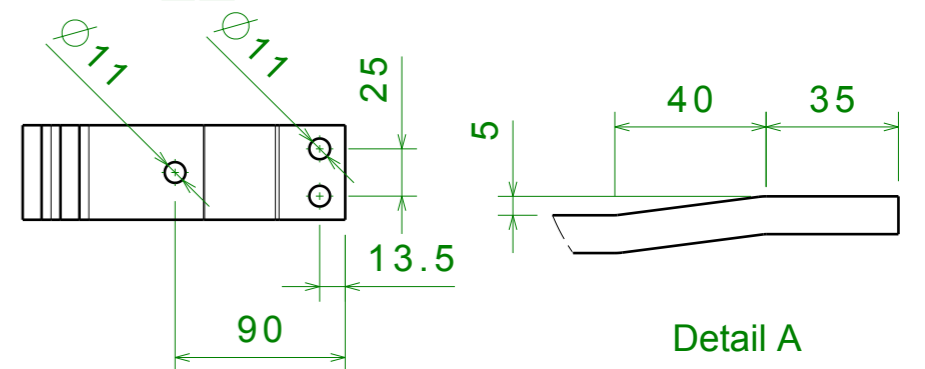
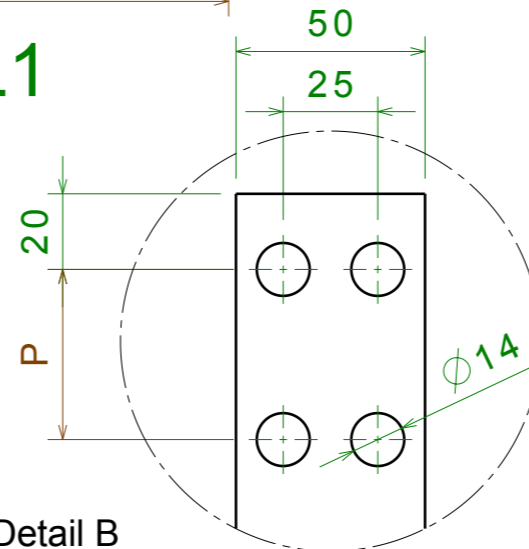
L2

L3

Detail C



Detail B



PHASE	POS		D	E
L3	1	L3.1	85	125
	2	L3.2	85	105
L2	1	L2.1	-	125
	2	L2.2	-	105
L1	1	L1.1	85	125
	2	L1.2	85	105
N	1	N.1	160	125
	2	N.2	160	105

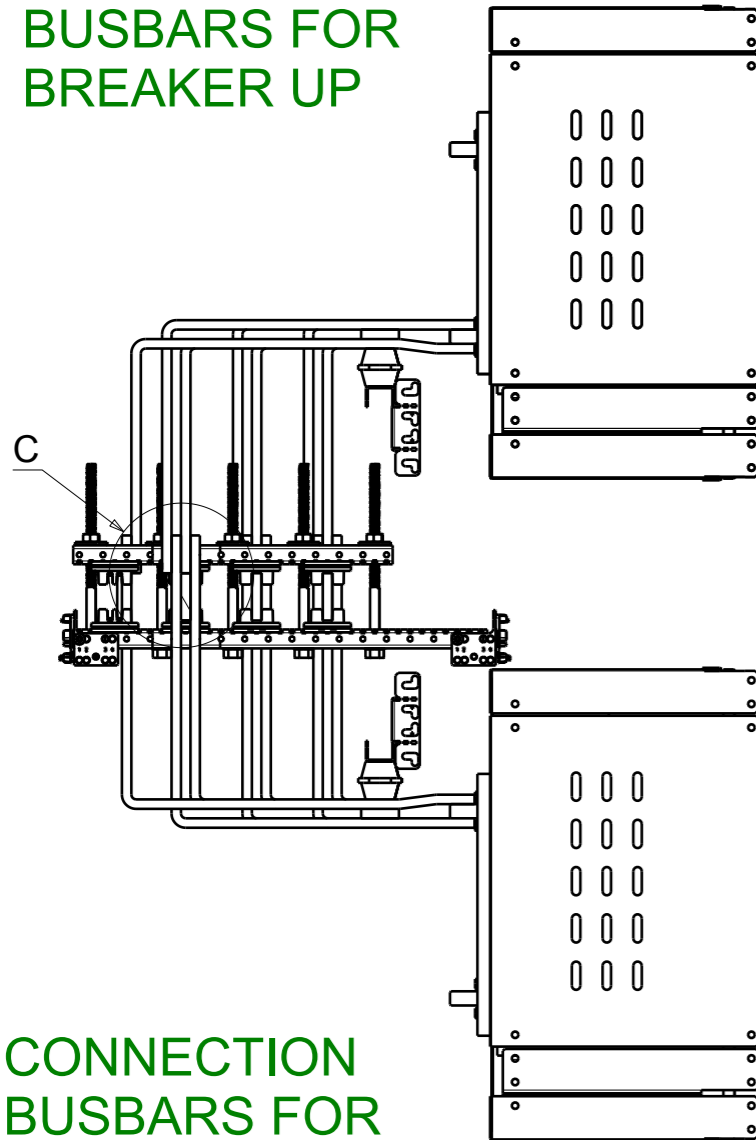
SCALA SCALE	: 1:8	N° PROGETTO : PROJECT	XXX.XX
DISEGNATORE DESIGNER	:		ABB SACE ADB
APPROVAZIONE APPROVAL	:	DENOMINAZIONE/NAME: E1.2 1000A/1250A W (COUPLER COLUMN) CONNECTION BUSBARS 2x50x10xP	
DATA	: xx-xx-xx	DISEGNO N° /DRAWING N° 8 6 3 8 5 7	

CONNECTIONS FOR E1.2 WITHDRAWABLE 1000A/1250A (COUPLER COLUMN) $I_{cw} \leq 36KA$

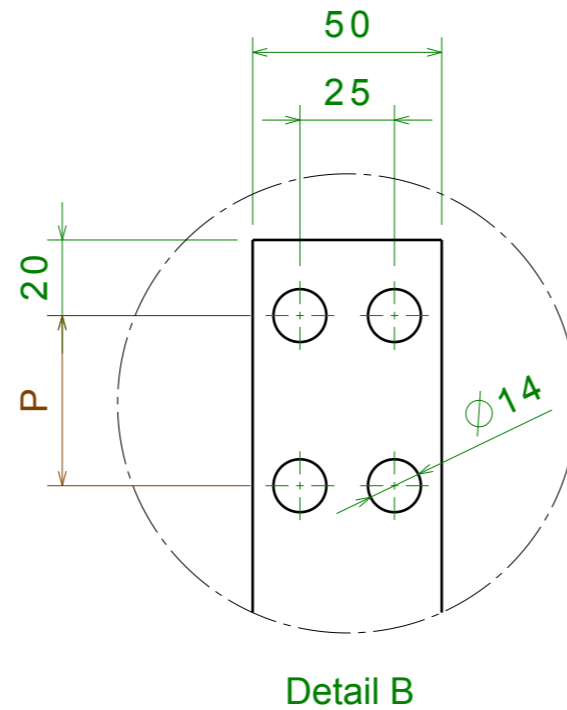
SPEP P = 700mm
 BUSBARS HOLDER PBHB1125 (50mm)
 MAIN BUSBAR WITH N 50% IP30 / IP31 : 1000A (1x40x10) ; 1250A (1x50x10)

PHASE	POS		A	B	C	P
L3	1	L3.1	180.6	267.75	-	-
	2	L3.2	160.6	247.75	-	-
L2	1	L2.1	255.6	267.75	-	-
	2	L2.2	235.6	247.75	-	-
L1	1	L1.1	330.6	267.75	270	-
	2	L1.2	310.6	247.75	270	-
N	1	-	-	-	-	-
	2	N.2	363.1	247.75	270	-

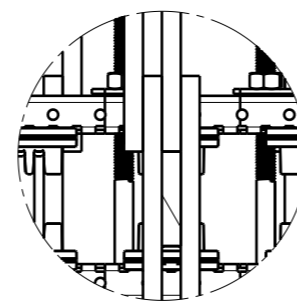
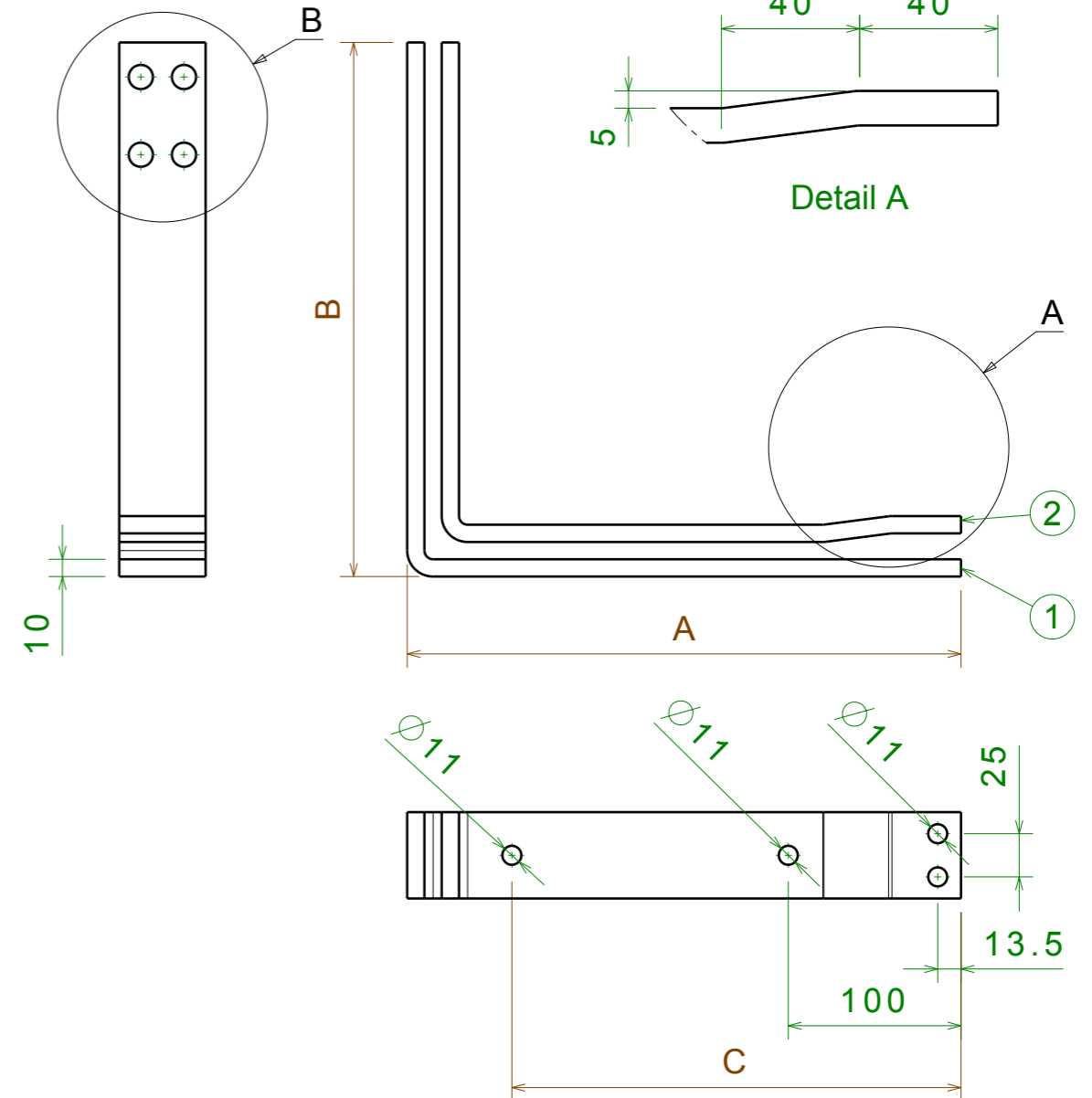
CONNECTION
BUSBARS FOR
BREAKER UP



CONNECTION
BUSBARS FOR
BREAKER DOWN



Detail B



Detail C

PHASE	POS		A	B	C	P	
						H MAIN BUSBAR	
L3	1	L3.1	170.6	309.25	-	50	45
	2	L3.2	150.6	289.25	-	50	45
L2	1	L2.1	245.6	309.25	-	50	45
	2	L2.2	225.6	289.25	-	50	45
L1	1	L1.1	320.6	309.25	260	50	45
	2	L1.2	300.6	289.25	260	50	45
N	1	-	-	-	-	-	-
	2	N.2	373.1	289.25	260	50	45

DATA	MODIFICA	AGG. DI SEGNO	SCALE	PROGETTO	DESIGNER	APPROVAZIONE	DATE	FORMATO	DENOMINAZIONE/NAME	DISEGNO N° /DRAWING N°
			SCALA SCALE : 1:4	N° PROGETTO : PROJECT XXX.XX				Formato A3 Formed	ABB SACE ADB E1.2 1000A/1250A W (COUPLER COLUMN) CONNECTION BUSBARS 2x50x10xP + 1x50x10xN	8 6 3 8 9 6

	A	B	C	P
L3.1	160.6	267.75	74.25	-
L3.2	140.6	247.75	94.25	-
L2.1	160.6	267.75	-	-
L2.2	140.6	247.75	-	-
L1.1	160.6	267.75	94.25	-
L1.2	140.6	247.75	74.25	-
-	-	-	-	-
N.2	160.6	247.75	74.25	-

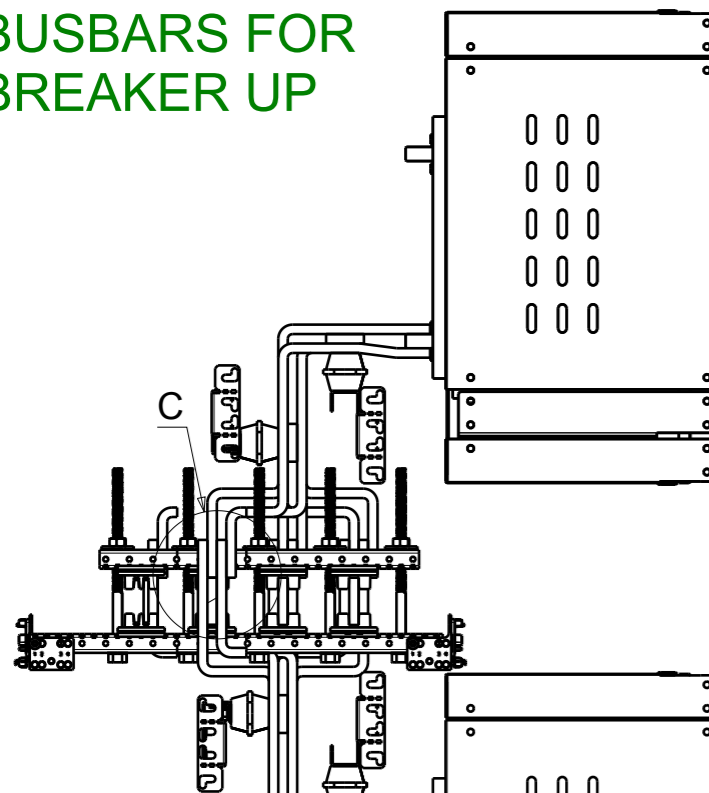
CONNECTIONS FOR E1.2 WITHDRAWABLE 1000A/1250A (COUPLER COLUMN) $I_{cw} > 36KA$

SPEP P = 700mm

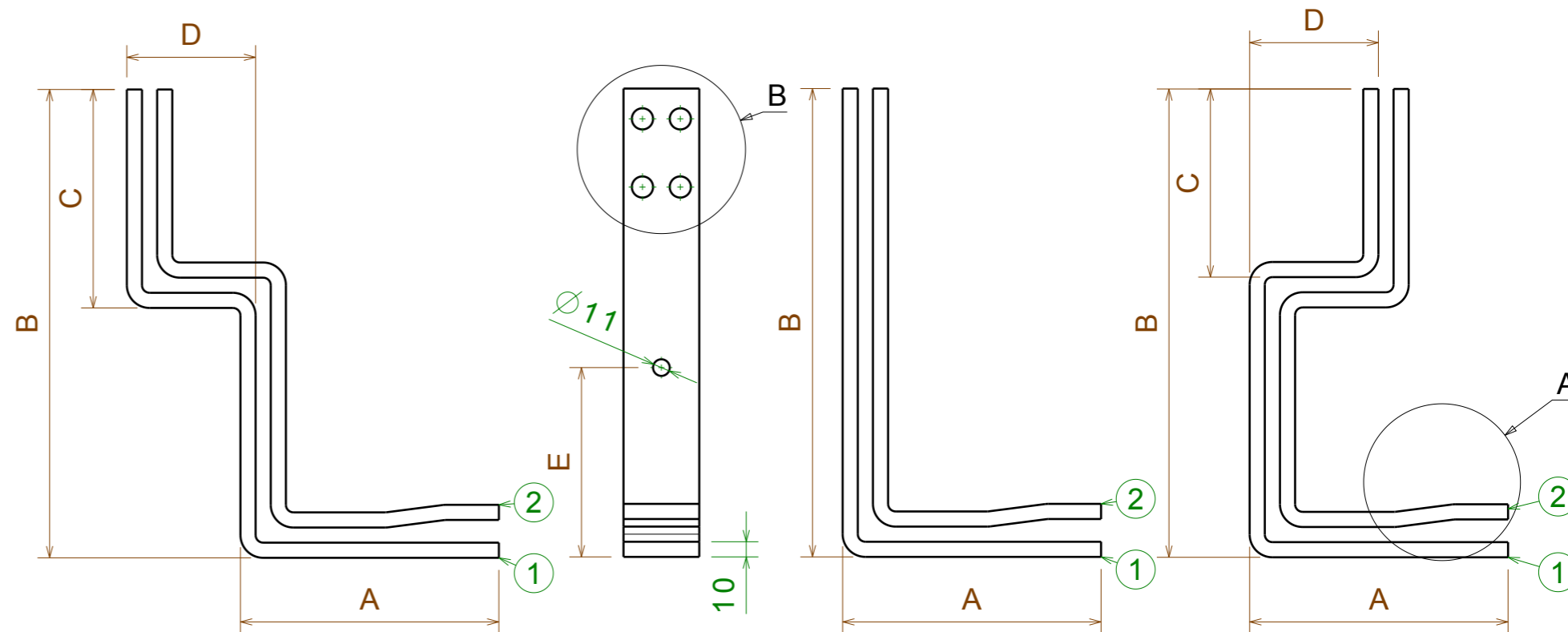
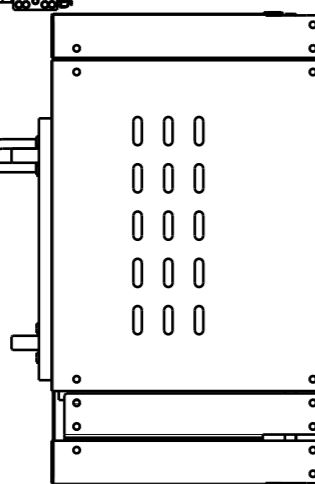
BUSBARS HOLDER PBHB1125 (50mm)

MAIN BUSBAR WITH N 50% IP30 / IP31 : 1000A (1x40x10) ; 1250A (1x50x10)

CONNECTION
BUSBARS FOR
BREAKER UP



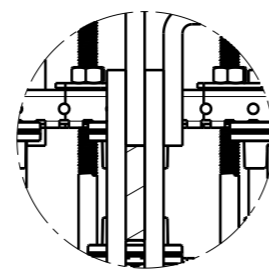
CONNECTION
BUSBARS FOR
BREAKER DOWN



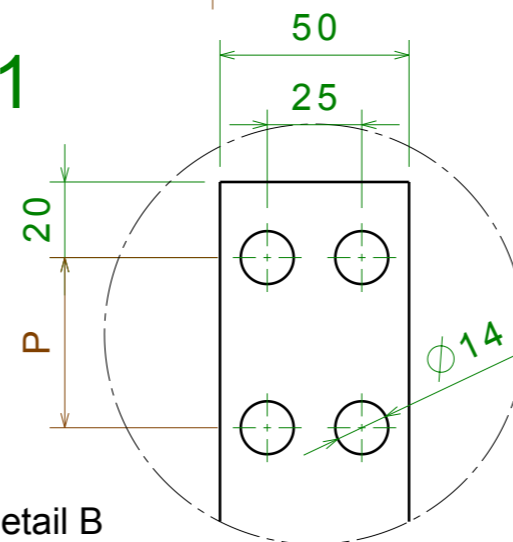
N-L1

L2

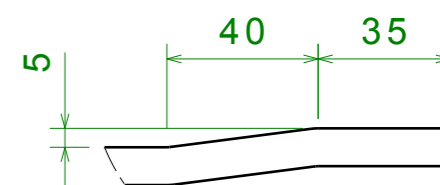
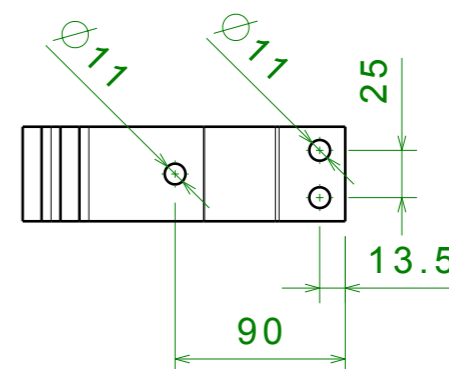
L3



Detail C



Detail B



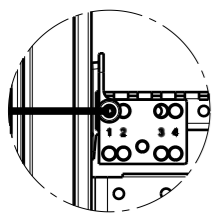
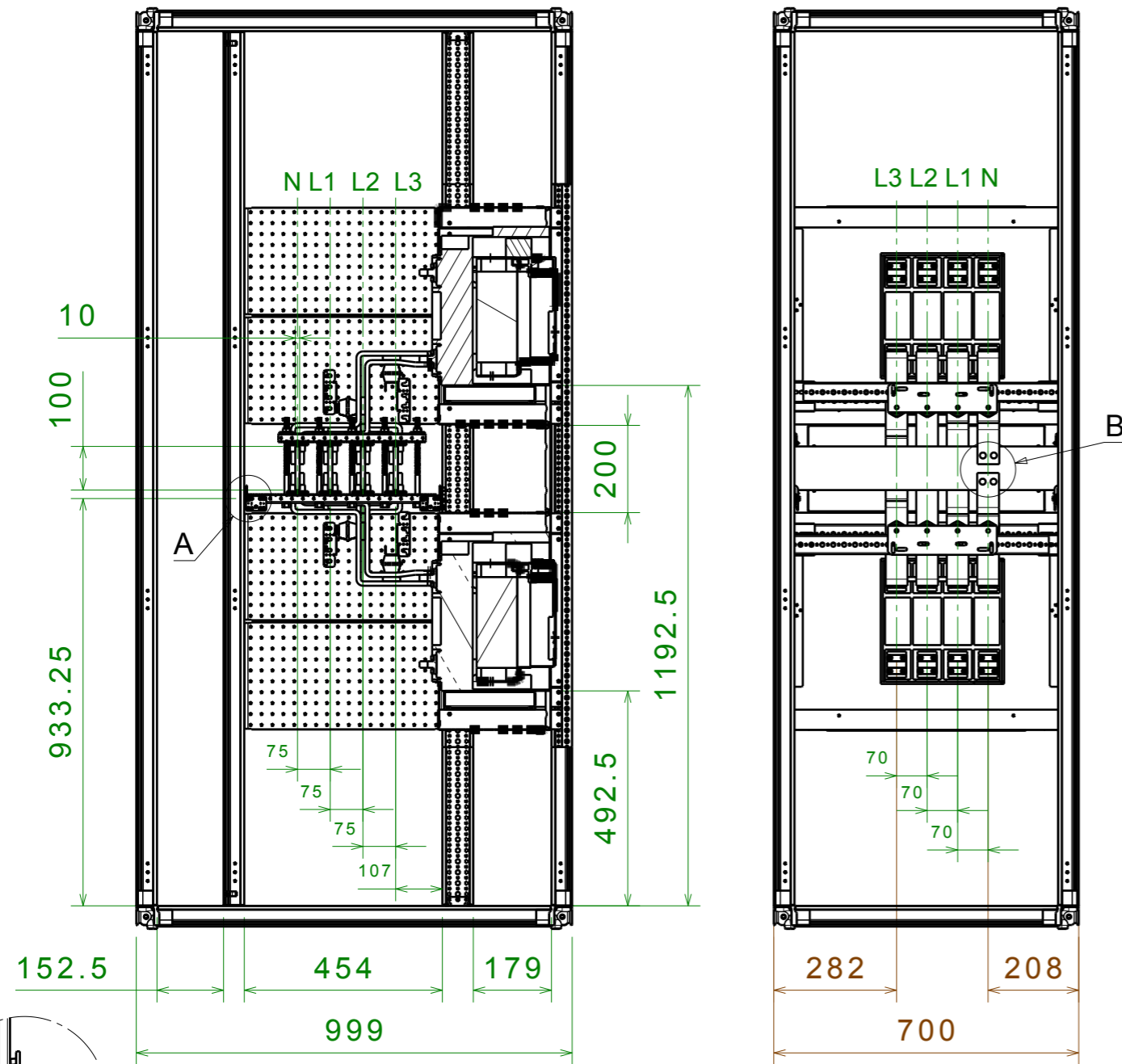
Detail A

	A	B	C	P	
				H MAIN BUSBAR	
L3.1	170.6	309.25	124.25	50	45
L3.2	150.6	289.25	144.25	50	45
L2.1	170.6	309.25	-	50	45
L2.2	150.6	289.25	-	50	45
L1.1	170.6	309.25	144.25	50	45
L1.2	150.6	289.25	124.25	50	45
-	-	-	-	-	-
N.2	170.6	289.25	124.25	50	45

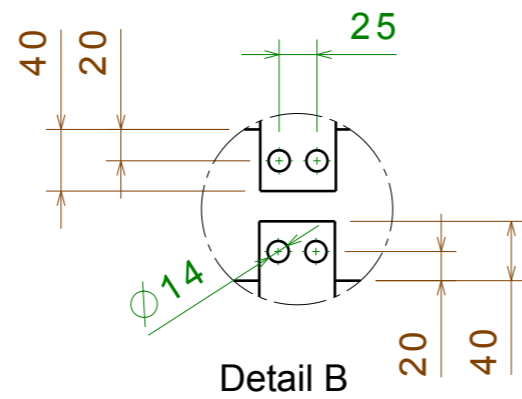
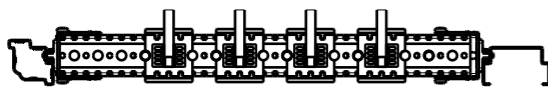
PHASE	POS		D	E
L3	1	L3.1	85	125
	2	L3.2	85	105
L2	1	L2.1	-	125
	2	L2.2	-	105
L1	1	L1.1	85	125
	2	L1.2	85	105
N	1	-	-	-
	2	N.2	137.5	105

SCALA SCALE	: 1:8	N° PROGETTO : PROJECT	XXX.XX
DISEGNATORE DESIGNER	:	ABB SACE ADB	
APPROVAZIONE : APPROVAL	:	DISEGNO N° /DRAWING N°	
DATA DATE	: xx-xx-xx	E1.2 1000A/1250A W (COUPLER COLUMN) CONNECTION BUSBARS 2x50x10xP + 1x50x10xN	
FORMATO FORMED	Formato A3 Formed	8 6 3 8 9 7	

ASSEMBLY DRAWING
E1.2 1000A/1250A/1600A W
(COUPLER COLUMN) $I_{cw} > 36kA$



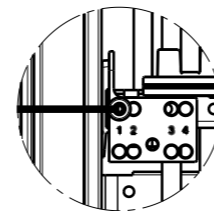
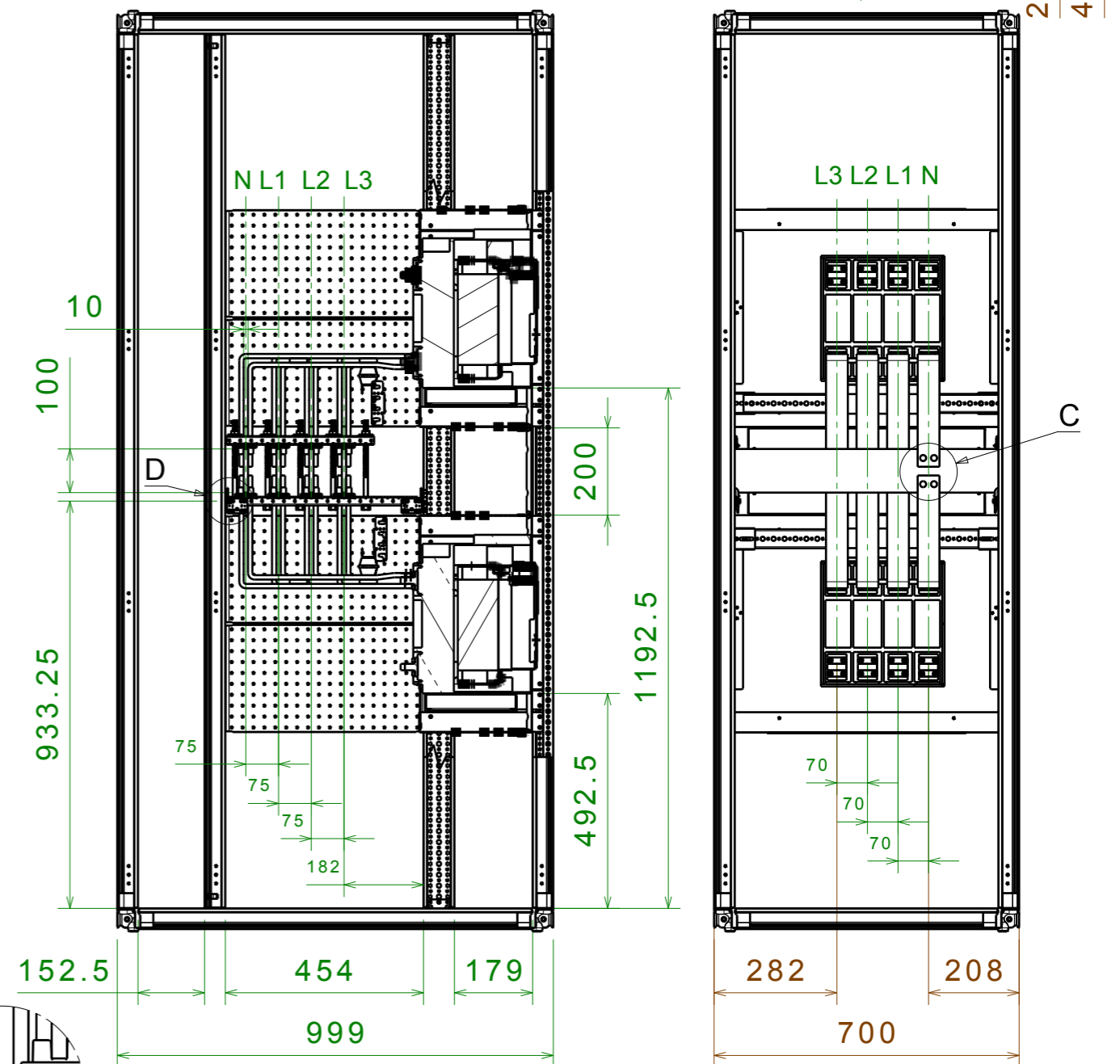
Detail A



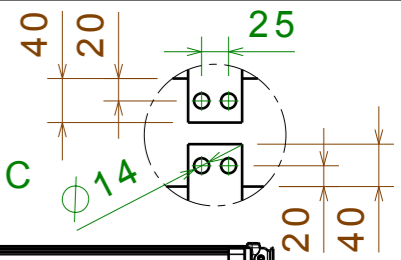
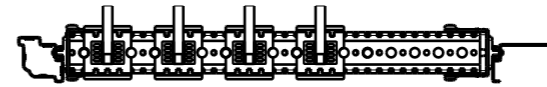
Detail B

CONNECTION BUSBAR 2x50x10xP

ASSEMBLY DRAWING
E1.2 1000A/1250A/1600A W
(COUPLER COLUMN) $I_{cw} \leq 36kA$ Detail C



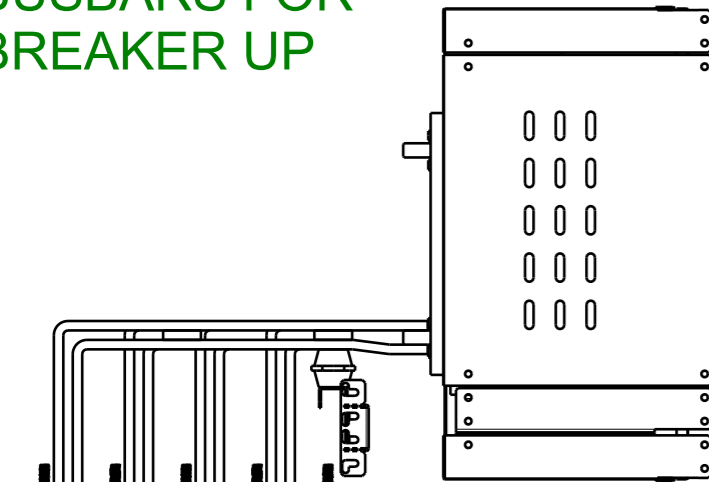
Detail D



AGG. DI SEGNO	SCALA SCALE	: 1:14	N° PROGETTO / PROJECT	XXX.XX
MODIFICA	DISEGNATORE DESIGNER	:	ABB ABB SACE ADB DENOMINAZIONE/NAME: E1.2 1000A/1250A/1600A W CONNECTION BUSBARS 2x50x10xP (COUPLER COLUMN)	
DATA	APPROVAZIONE APPROVAL	:		
	DATA DATE	: xx-xx-xx		
	FORMATO FORMED	A3		

CONNECTIONS FOR E1.2 WITHDRAWABLE 1000A/1250A/1600A (COUPLER COLUMN) $I_{cw} \leq 36KW$

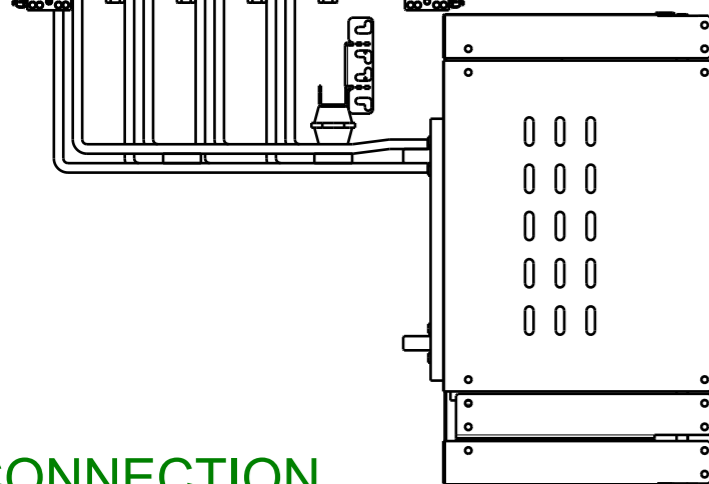
CONNECTION
BUSBARS FOR
BREAKER UP



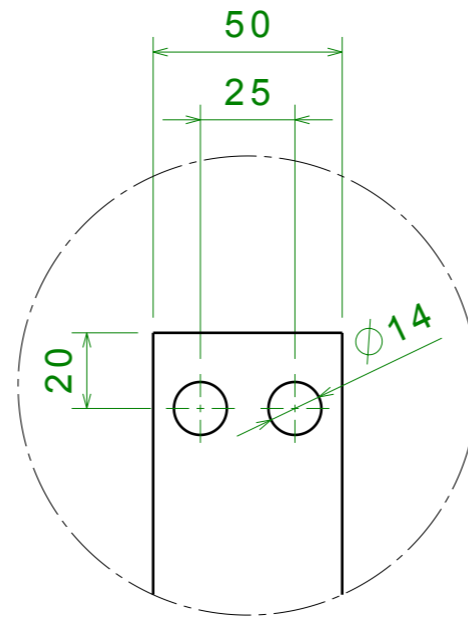
	B	
	H MAIN BUSBARS	
	80	100
L3.1	278.5	258.5
L3.2	258.5	238.5
L2.1	278.5	258.5
L2.2	258.5	238.5
L1.1	278.5	258.5
L1.2	258.5	238.5
N.1	278.5	258.5
N.2	258.5	238.5

SPEP P = 700mm
 BUSBARS HOLDER PBHB1125 (50mm)
 MAIN BUSBAR IP30 / IP31 : 1600A (1x80x10)
 MAIN BUSBAR IP40 / IP41 / IP65 : 1600A (1x100x10)

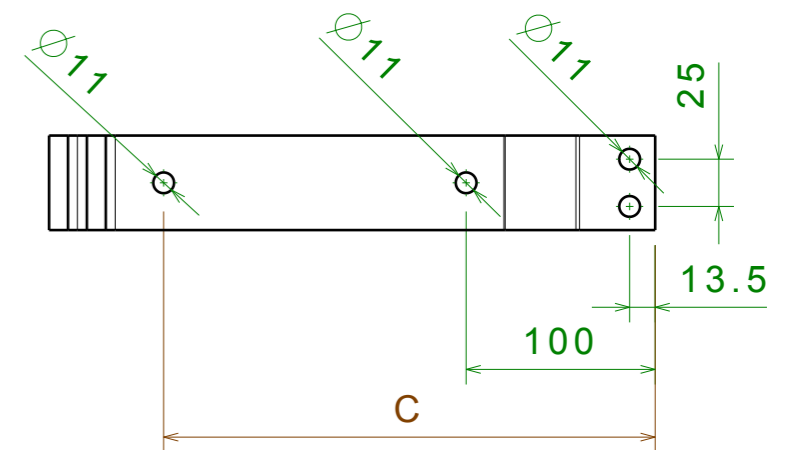
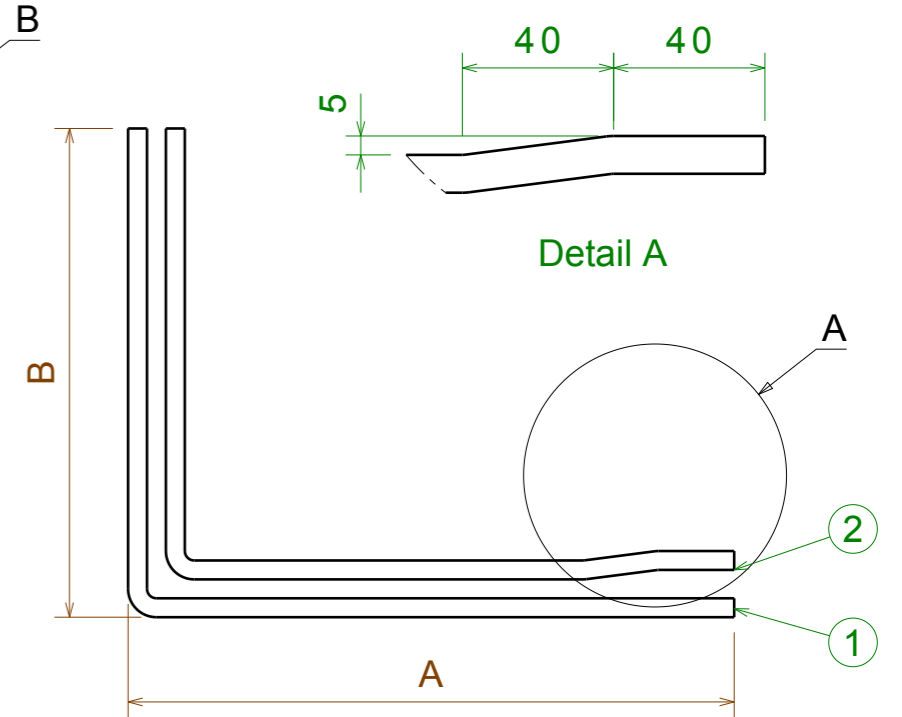
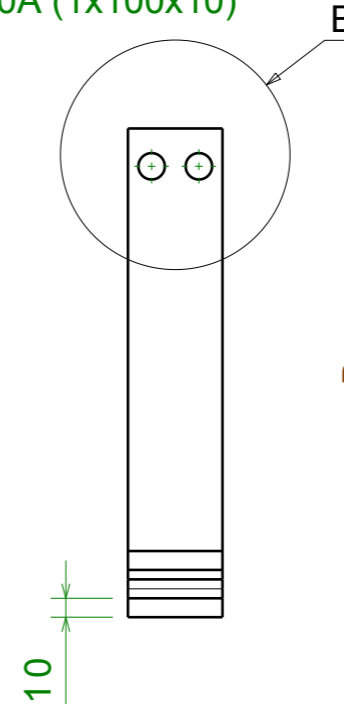
CONNECTION
BUSBARS FOR
BREAKER DOWN



	B	
	H MAIN BUSBARS	
	80	100
L3.1	258.5	258.5
L3.2	238.5	238.5
L2.1	258.5	258.5
L2.2	238.5	238.5
L1.1	258.5	258.5
L1.2	238.5	238.5
N.1	258.5	258.5
N.2	238.5	238.5



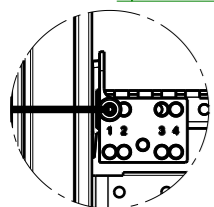
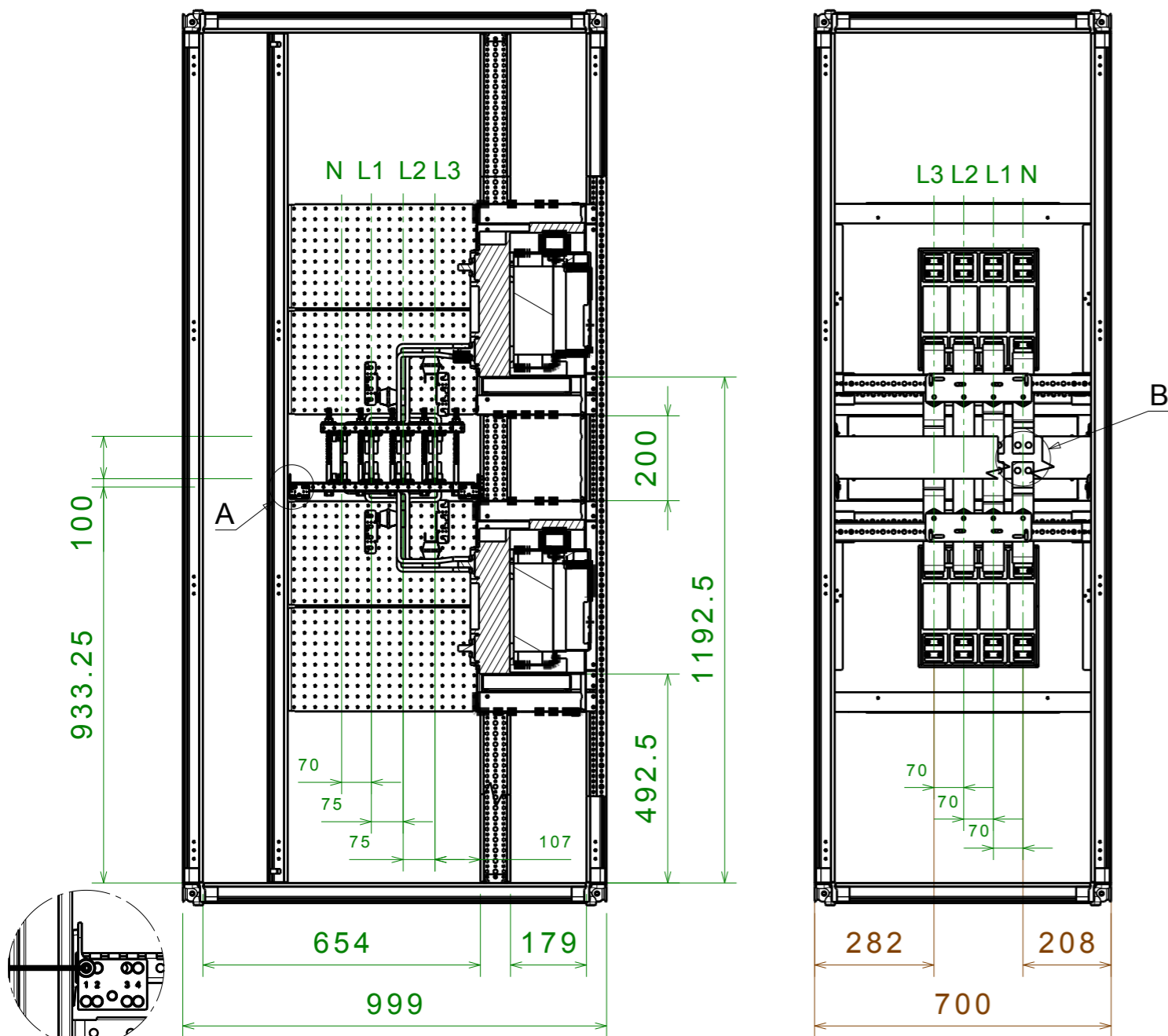
Detail B



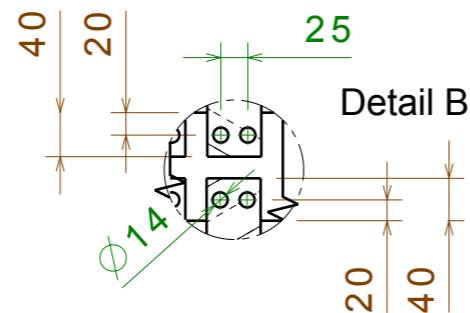
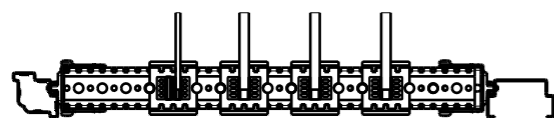
PHASE	POS		A	C
L3	1	L3.1	170.6	-
	2	L3.2	150.6	-
L2	1	L2.1	245.6	-
	2	L2.2	225.6	-
L1	1	L1.1	320.6	260
	2	L1.2	300.6	260
N	1	N.1	395.6	260
	2	N.2	375.6	260

AGG. DI SEGNO	SCALA SCALE : 1:4	N° PROGETTO : PROJECT XXX.XX
MODIFICA	DISEGNATORE DESIGNER :	
DATA	APPROVAZIONE : APPROVAL	ABB ABB SACE ADB
	DATA DATE : xx-xx-xx	
	Formato A3 Formed	DENOMINAZIONE/NAME: E1.2 1000A/1250A/1600A W (COUPLER COLUMN) CONNECTION BUSBARS 2x50x10xP_L
		DISEGNO N° /DRAWING N° 8 6 3 8 4 0

ASSEMBLY DRAWING
E1.2 1000A/1250A/1600A W
(COUPLER COLUMN) $I_{cw} > 36kA$



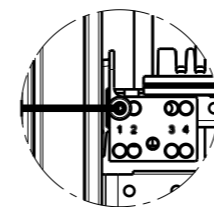
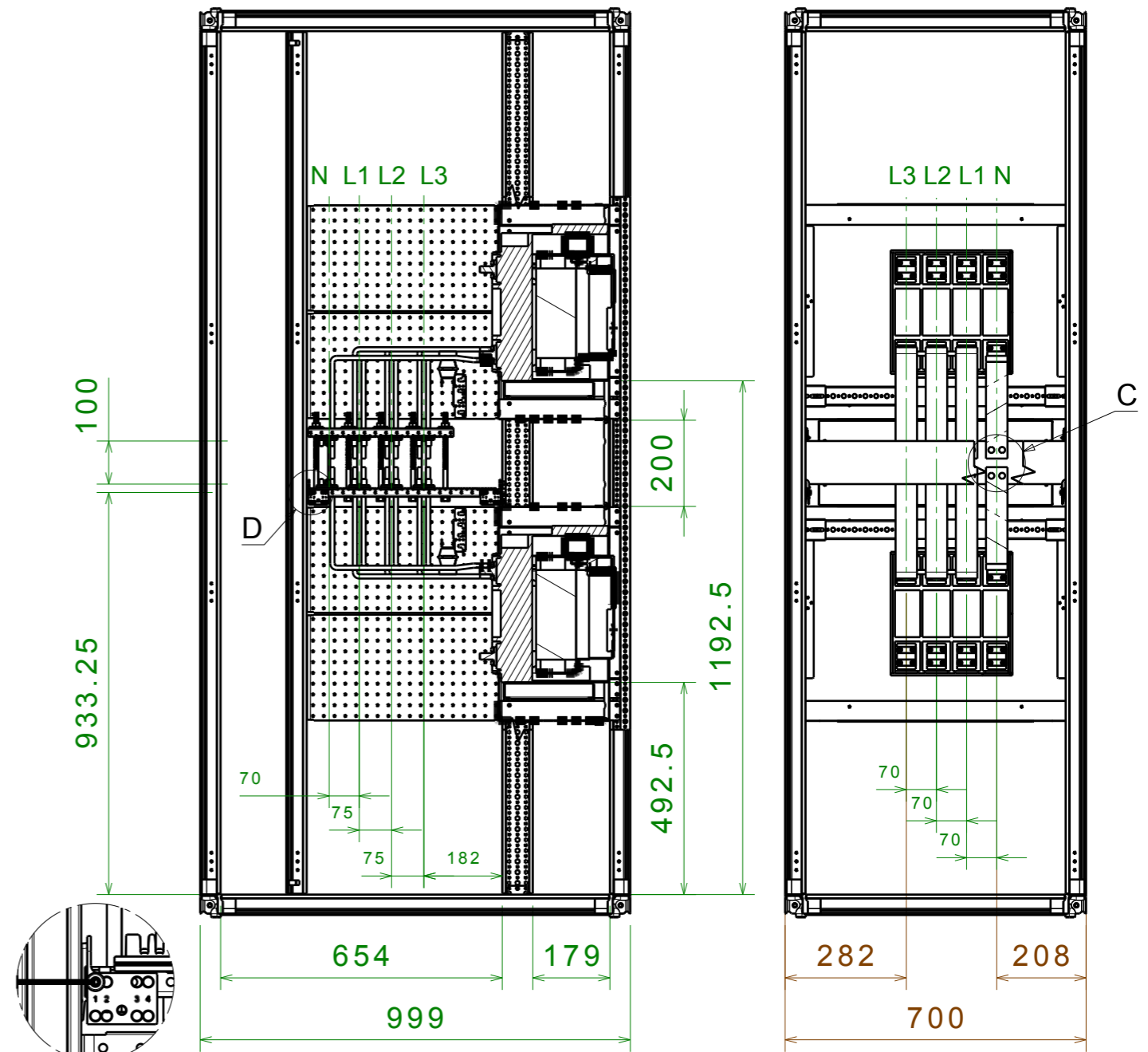
Detail A



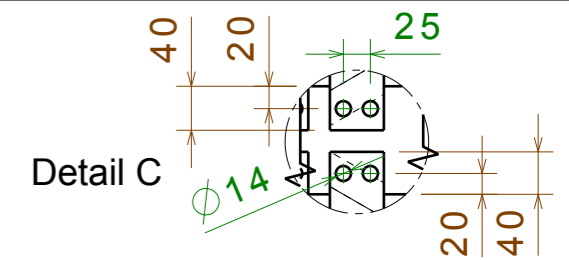
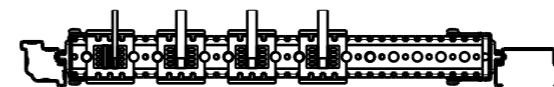
Detail B

CONNECTION BUSBAR 2x50x10xP + 1x50x10xN

ASSEMBLY DRAWING
E1.2 1000A/1250A/1600A W
(COUPLER COLUMN) $I_{cw} \leq 36kA$



Detail D

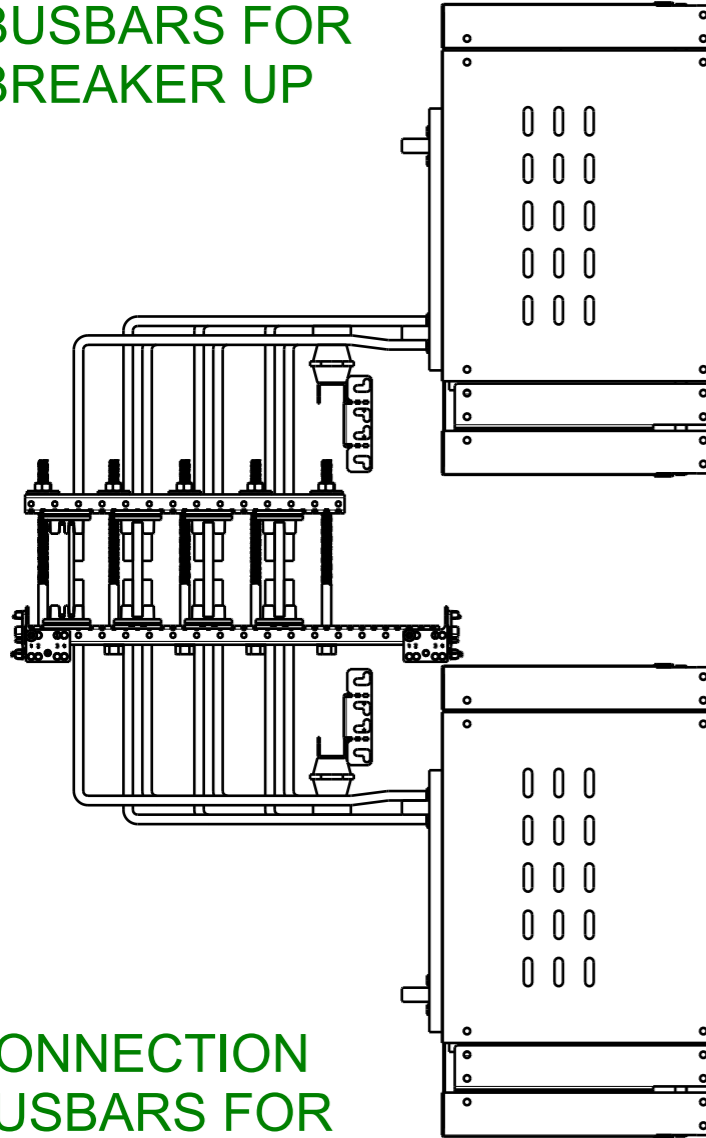


Detail C

AGG. DI SEGNO	SCALA SCALE	: 1:14	N° PROGETTO / PROJECT	XXX.XX
DISSEGNAZIONE DESIGNER	APPROVAZIONE / APPROVAL		ABB ABB SACE ADB	
MODIFICA	DATA DATE	: xx-xx-xx	DENOMINAZIONE/NAME: E1.2 1000A/1250A/1600A W (COUPLER COLUMN) CONNECTION BUSBARS 2x50x10xP + 1x50x10xN	DISEGNO N° /DRAWING N° 8 6 3 8 4 9
DATA		Formato A3 Formed	Questo disegno e' di esclusiva proprieta' di ABB SACE ADB. Ne e' vietata la riproduzione e termini di legge	

CONNECTIONS FOR E1.2 WITHDRAWABLE 1000A/1250A/1600A (COUPLER COLUMN) $I_{cw} \leq 36KA$

CONNECTION
BUSBARS FOR
BREAKER UP

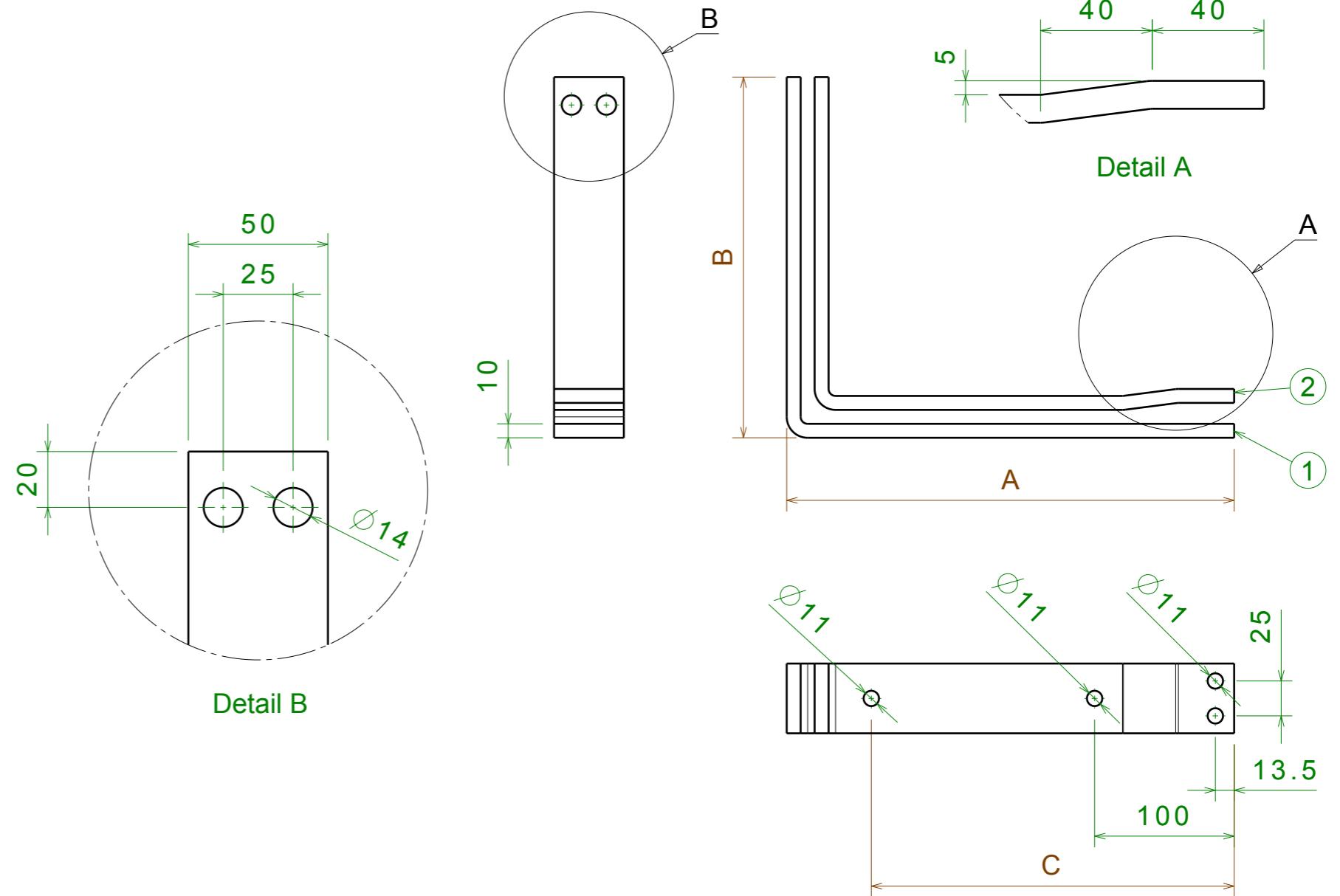


	B	
	H MAIN BUSBARS	
	80	100
L3.1	278.5	258.5
L3.2	258.5	238.5
L2.1	278.5	258.5
L2.2	258.5	238.5
L1.1	278.5	258.5
L1.2	258.5	238.5
N.1	-	-
N.2	258.5	238.5

CONNECTION
BUSBARS FOR
BREAKER DOWN

	B	
	H MAIN BUSBARS	
	80	100
L3.1	258.5	258.5
L3.2	238.5	238.5
L2.1	258.5	258.5
L2.2	238.5	238.5
L1.1	258.5	258.5
L1.2	238.5	238.5
N.1	-	-
N.2	238.5	238.5

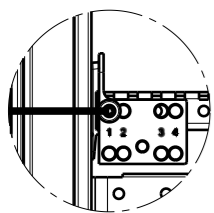
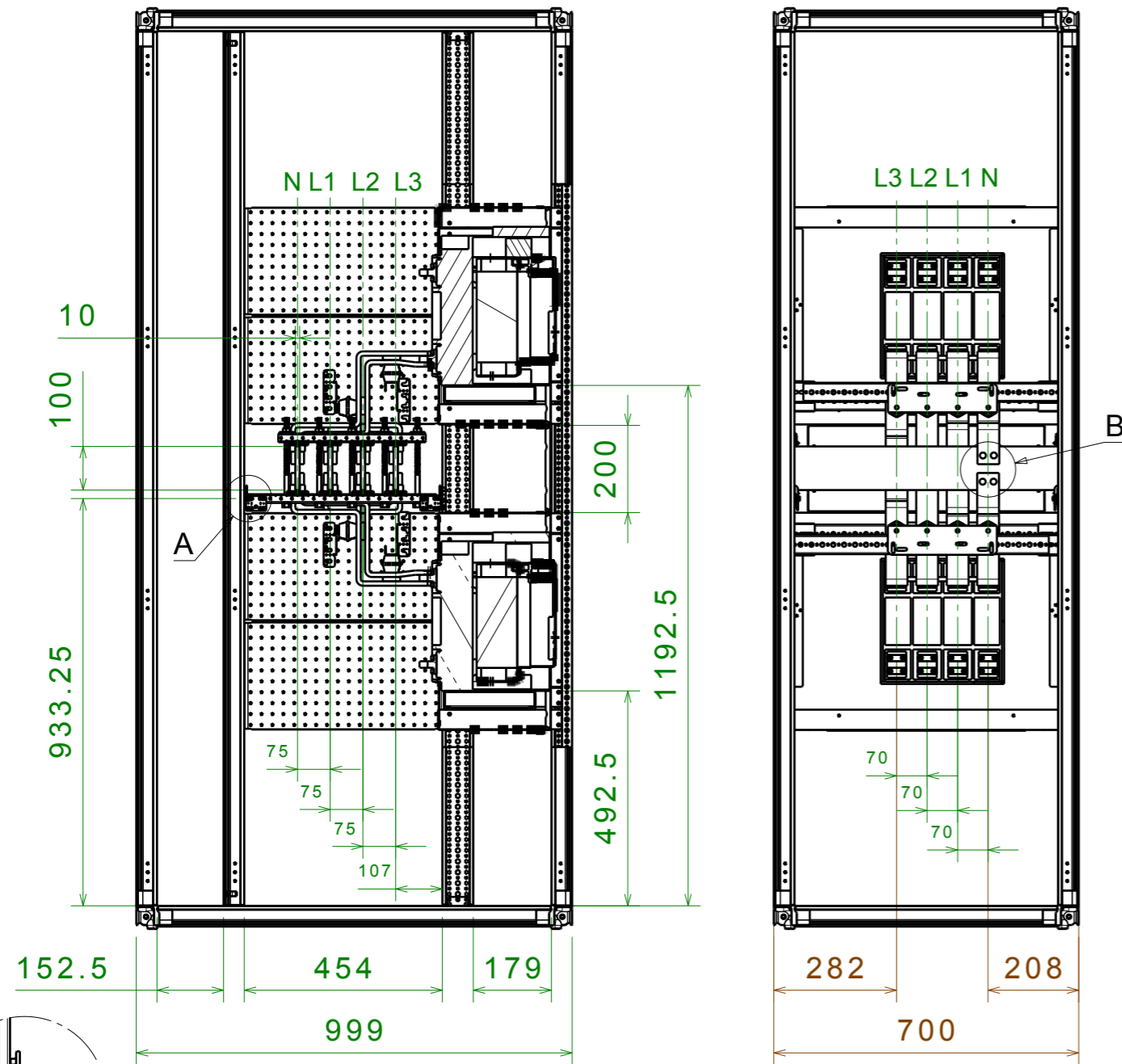
SPEP P = 700mm
BUSBARS HOLDER PBHB1125 (50mm)
MAIN BUSBAR WITH N 50% IP30 / IP31 : 1600A (1x80x10)
MAIN BUSBAR WITH N 50% IP40 / IP41 / IP65 : 1600A (1x100x10)



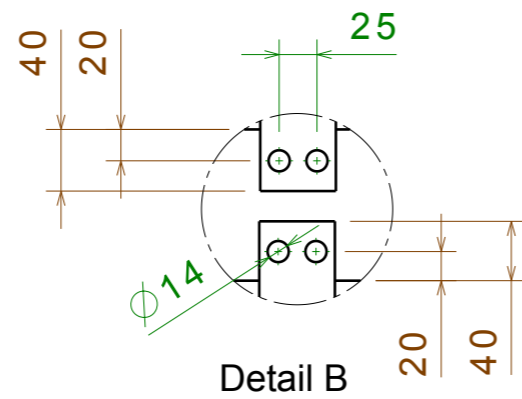
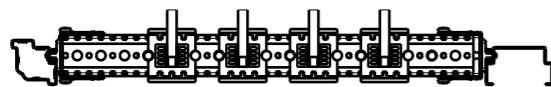
PHASE	POS		A	C
L3	1	L3.1	170.6	-
	2	L3.2	150.6	-
L2	1	L2.1	245.6	-
	2	L2.2	225.6	-
L1	1	L1.1	320.6	260
	2	L1.2	300.6	260
N	1	N.1	-	-
	2	N.2	373.1	260

DATA	MODIFICA	AGG. DI SEGNO	PROGETTO / PROJECT	DISEGNO N° / DRAWING N°
		SCALA SCALE : 1:4	N° PROGETTO / PROJECT : XXX.XX	8 6 3 8 5 0
		DISEGNATORE DESIGNER :	ABB SACE ADB	
		APPROVAZIONE APPROVAL :	DENOMINAZIONE/NAME : E1.2 1000A/1250A/1600A W (COUPLER COLUMN) CONNECTION BUSBARS 2x50x10xP + 1x50x10xN	
		DATA DATE : xx-xx-xx		
		Formato A3 Formed		

ASSEMBLY DRAWING
E1.2 1000A/1250A/1600A W
(COUPLER COLUMN) $I_{cw} > 36kA$



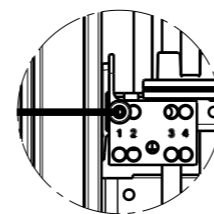
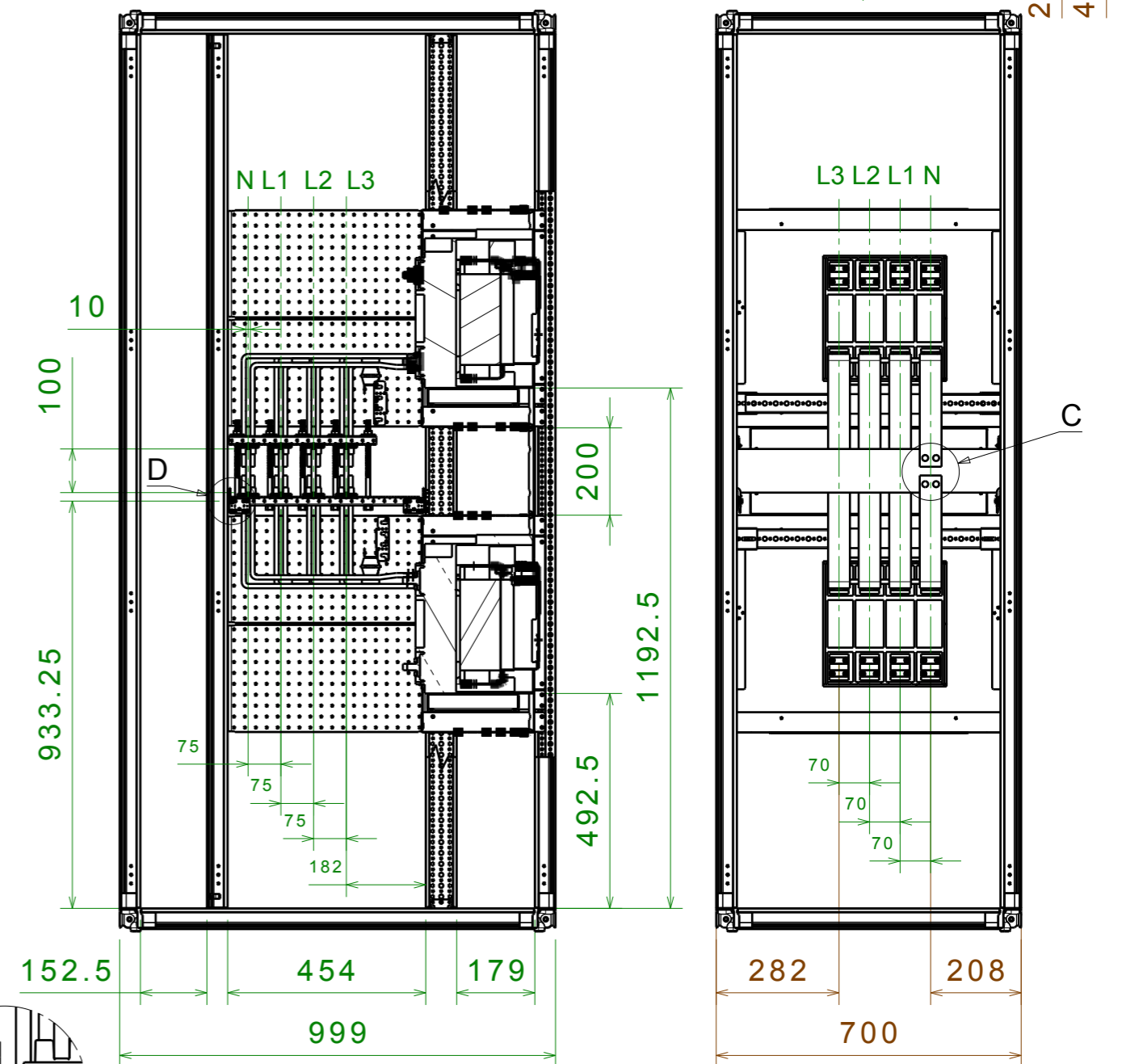
Detail A



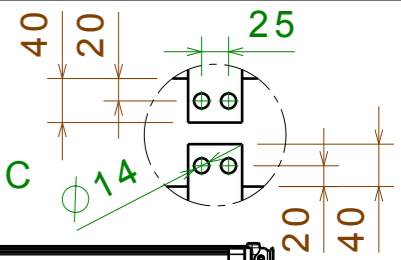
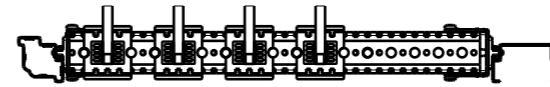
Detail B


CONNECTION BUSBAR 2x50x10xP

ASSEMBLY DRAWING
E1.2 1000A/1250A/1600A W
(COUPLER COLUMN) $I_{cw} \leq 36kA$ Detail C



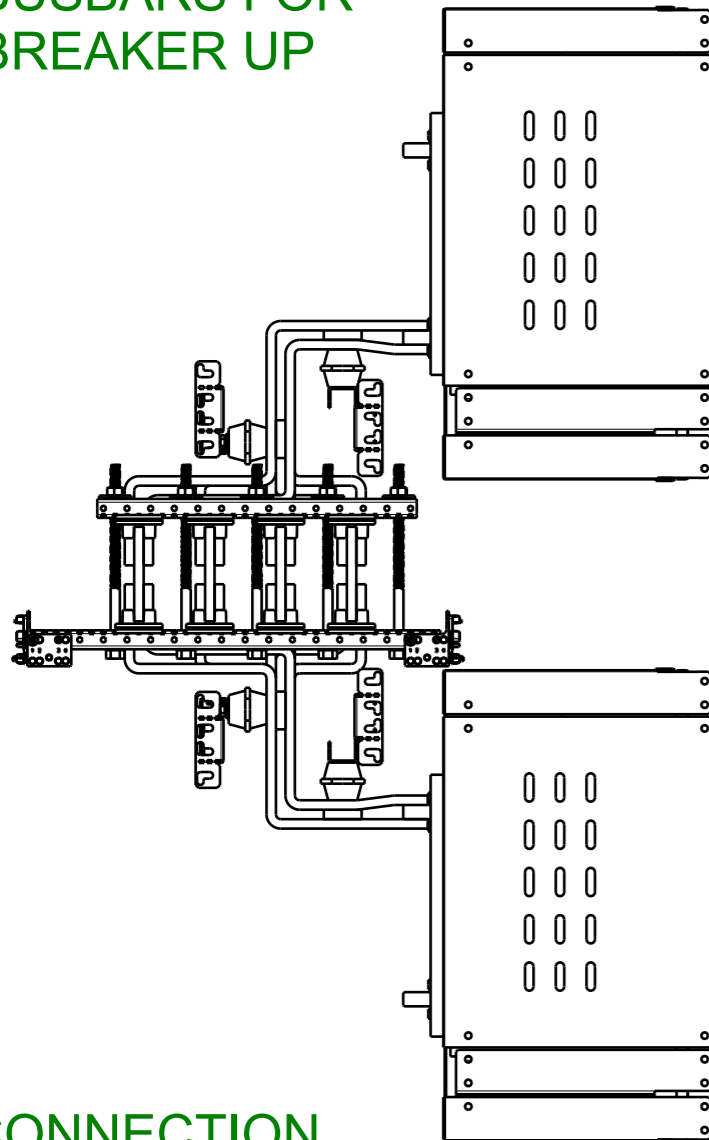
Detail D



AGG. DI SEGNO	SCALA SCALE	: 1:14	N° PROGETTO / PROJECT	XXX.XX
MODIFICA	DISEGNATORE DESIGNER	:	ABB ABB SACE ADB DENOMINAZIONE/NAME: E1.2 1000A/1250A/1600A W CONNECTION BUSBARS 2x50x10xP (COUPLER COLUMN)	
DATA	APPROVAZIONE APPROVAL	:		
	DATA DATE	: xx-xx-xx	DISEGNO N° /DRAWING N°	
	 Formato A3 Formed		8 6 3 8 3 9	

CONNECTIONS FOR E1.2 WITHDRAWABLE 1000A/1250A/1600A (COUPLER COLUMN) $I_{cw} > 36KA$

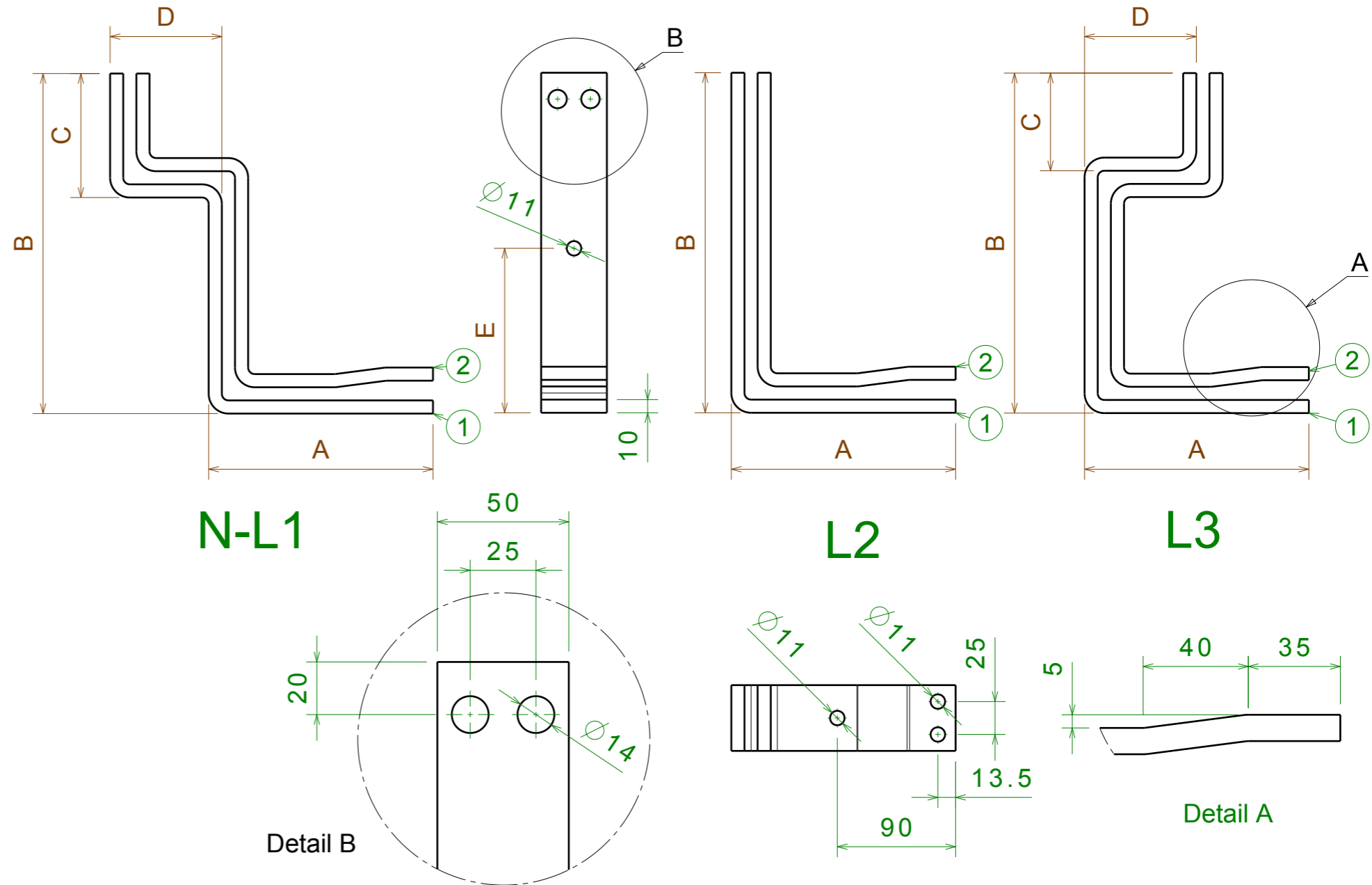
CONNECTION
BUSBARS FOR
BREAKER UP



	B	
	H MAIN BUSBARS	
	80	100
L3.1	278.5	258.5
L3.2	258.5	238.5
L2.1	278.5	258.5
L2.2	258.5	238.5
L1.1	278.5	258.5
L1.2	258.5	238.5
N.1	278.5	258.5
N.2	258.5	238.5

	B	
	H MAIN BUSBARS	
	80	100
L3.1	258.5	258.5
L3.2	238.5	238.5
L2.1	258.5	258.5
L2.2	238.5	238.5
L1.1	258.5	258.5
L1.2	238.5	238.5
N.1	258.5	258.5
N.2	238.5	238.5

SPEP P = 700mm
 BUSBARS HOLDER PBHB1125 (50mm)
 MAIN BUSBAR IP30 / IP31 : 1600A (1x80x10)
 MAIN BUSBAR IP40 / IP41 / IP65 : 1600A (1x100x10)

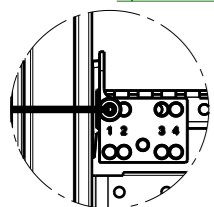
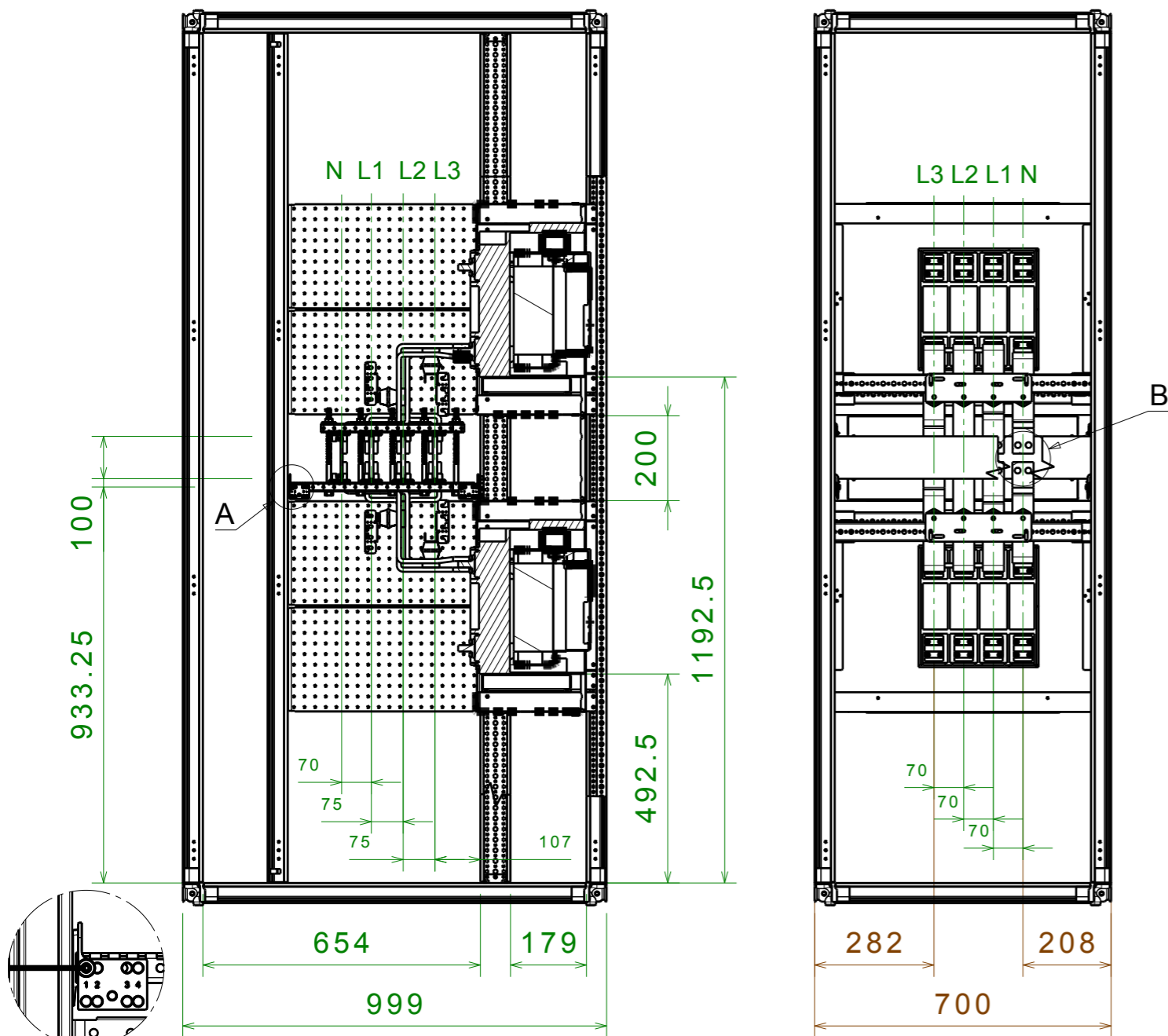


CONNECTION
BUSBARS FOR
BREAKER DOWN

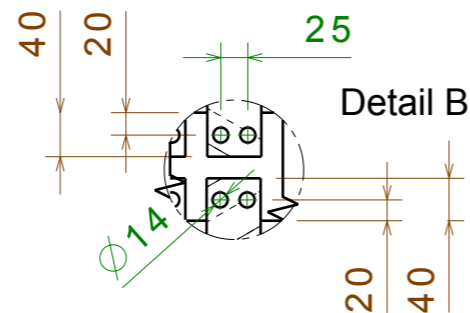
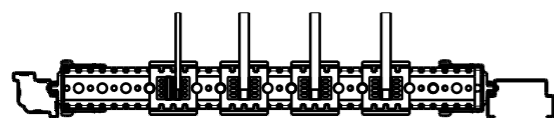
PHASE	POS		A	C	D	E
L3	1	L3.1	170.6	74.25	85	125
	2	L3.2	150.6	94.25	85	105
L2	1	L2.1	170.6	-	-	125
	2	L2.2	150.6	-	-	105
L1	1	L1.1	170.6	94.25	85	125
	2	L1.2	150.6	74.25	85	105
N	1	N.1	170.6	94.25	160	125
	2	N.2	150.6	74.25	160	105

SCALA SCALE	: 1:8	N° PROGETTO / PROJECT	XXX.XX
DISEGNATORE DESIGNER	:	ABB SACE ADB	
APPROVAZIONE APPROVAL	:	ABB SACE ADB	
DATA DATE	: xx-xx-xx	DISEGNO N° /DRAWING N°	
FORMATO FORMED	Formato A3 Formed	E1.2 1000A/1250A/1600A W (COUPLER COLUMN) CONNECTION BUSBARS 2x50x10xP	
		8 6 3 8 4 1	

ASSEMBLY DRAWING
E1.2 1000A/1250A/1600A W
(COUPLER COLUMN) $I_{cw} > 36kA$



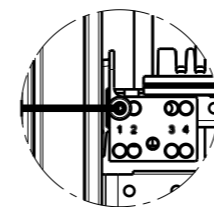
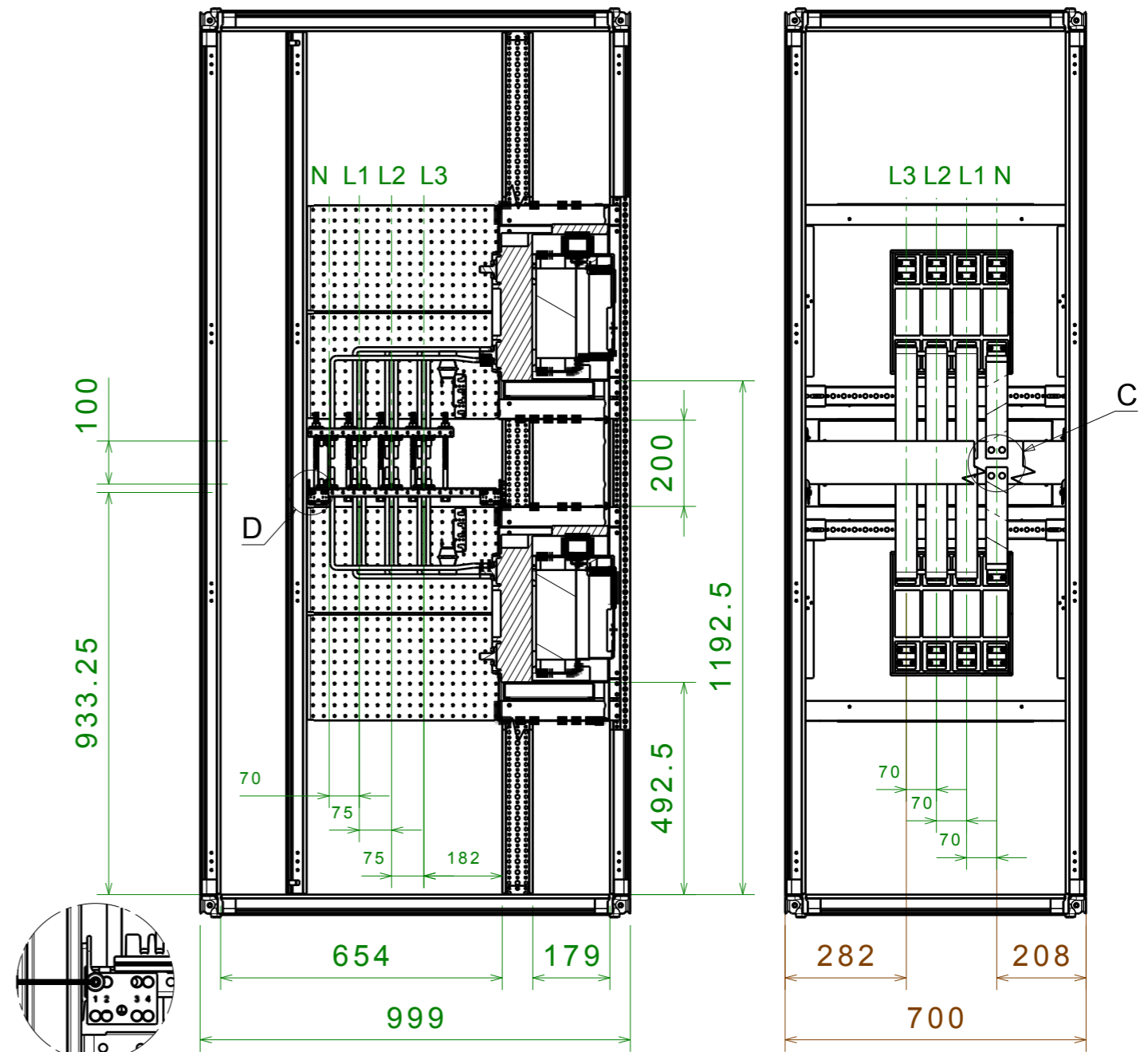
Detail A



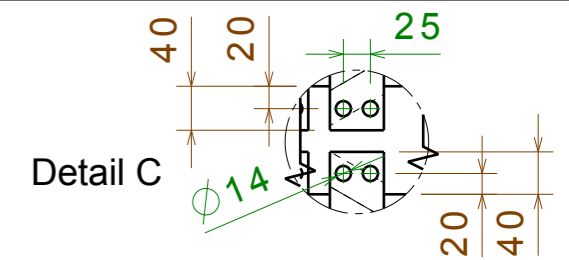
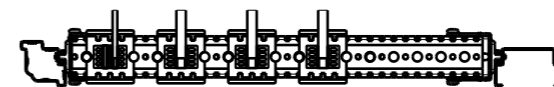
Detail B

CONNECTION BUSBAR 2x50x10xP + 1x50x10xN

ASSEMBLY DRAWING
E1.2 1000A/1250A/1600A W
(COUPLER COLUMN) $I_{cw} \leq 36kA$



Detail D

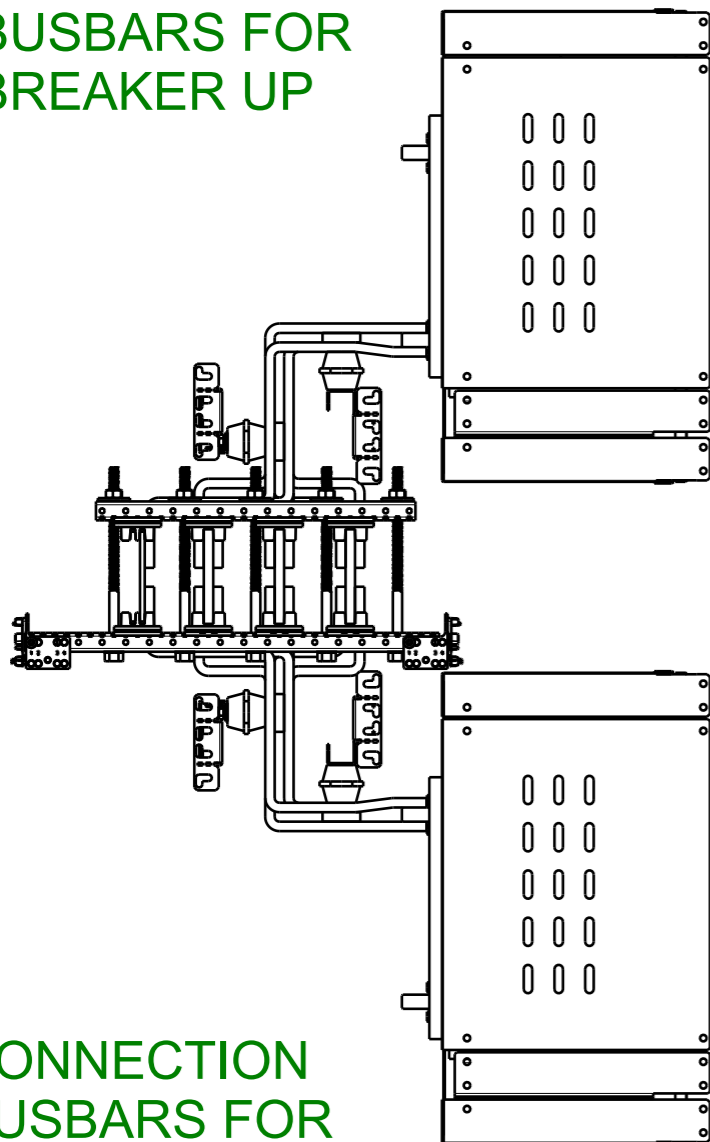


Detail C

AGG. DI SEGNO	SCALA SCALE	: 1:14	N° PROGETTO / PROJECT	XXX.XX
DISEGNATORE DESIGNER	APPROVAZIONE / APPROVAL		ABB	ABB SACE ADB
MODIFICA	DATA DATE	: xx-xx-xx	DENOMINAZIONE/NAME: E1.2 1000A/1250A/1600A W (COUPLER COLUMN) CONNECTION BUSBARS 2x50x10xP + 1x50x10xN	
DATA		Formato A3 Formed	DISEGNO N° / DRAWING N° 8 6 3 8 4 9	

CONNECTIONS FOR E1.2 WITHDRAWABLE 1000A/1250A/1600A (COUPLER COLUMN) $I_{cw} > 36KA$

CONNECTION
BUSBARS FOR
BREAKER UP

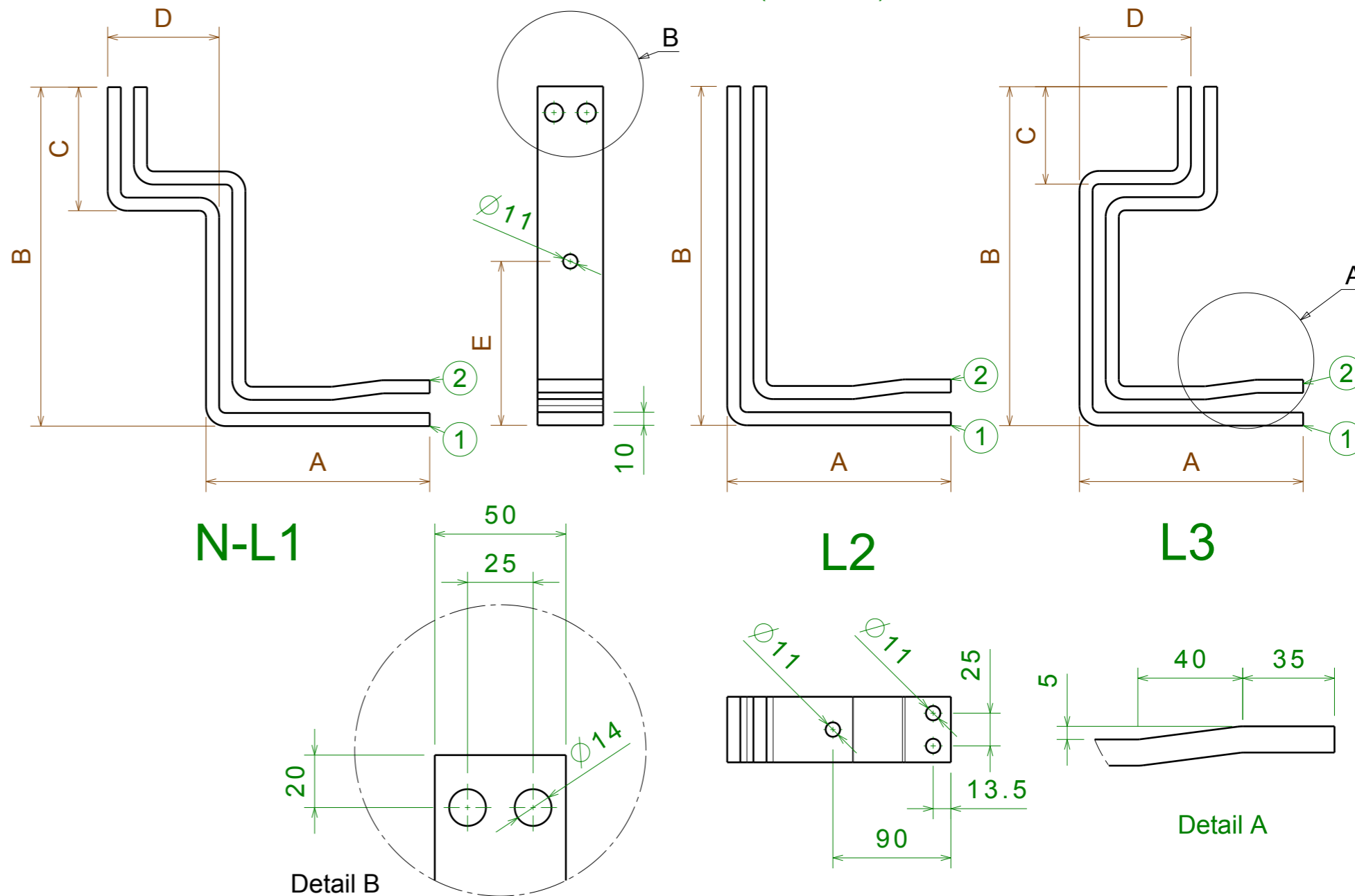


CONNECTION
BUSBARS FOR
BREAKER DOWN

	B	
	H MAIN BUSBARS	
	80	100
L3.1	278.5	258.5
L3.2	258.5	238.5
L2.1	278.5	258.5
L2.2	258.5	238.5
L1.1	278.5	258.5
L1.2	258.5	238.5
N.1	-	-
N.2	258.5	238.5

	B	
	H MAIN BUSBARS	
	80	100
L3.1	258.5	258.5
L3.2	238.5	238.5
L2.1	258.5	258.5
L2.2	238.5	238.5
L1.1	258.5	258.5
L1.2	238.5	238.5
N.1	-	-
N.2	238.5	238.5

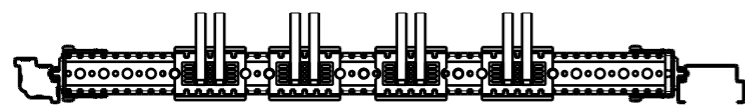
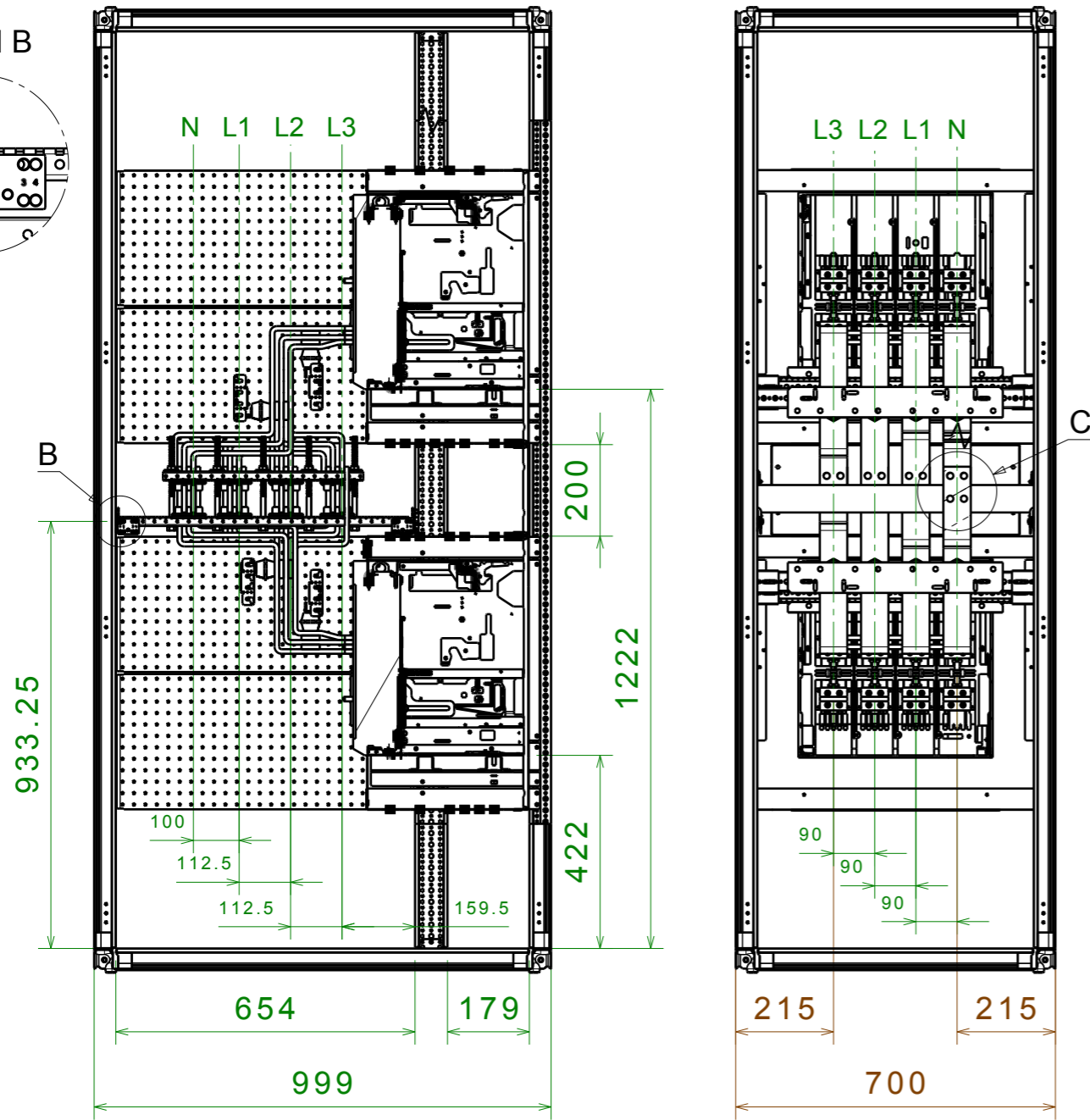
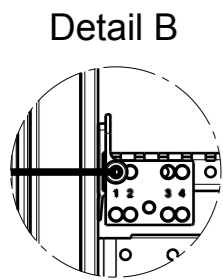
SPEP P = 700mm
 BUSBARS HOLDER PBHB1125 (50mm)
 MAIN BUSBAR WITH N 50% IP30 / IP31 : 1600A (1x80x10)
 MAIN BUSBAR WITH N 50% IP40 / IP41 / IP65 : 1600A (1x100x10)



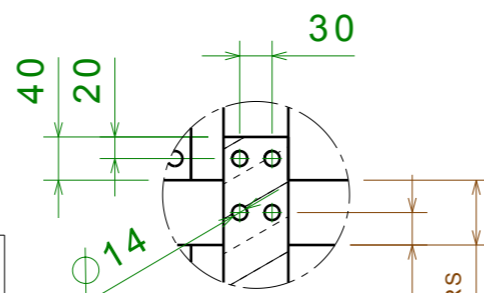
PHASE	POS		A	C	D	E
L3	1	L3.1	170.6	74.25	85	125
	2	L3.2	150.6	94.25	85	105
L2	1	L2.1	170.6	-	-	125
	2	L2.2	150.6	-	-	105
L1	1	L1.1	170.6	94.25	85	125
	2	L1.2	150.6	74.25	85	105
N	1	N.1	-	-	-	-
	2	N.2	170.6	74.25	137.5	105

SCALA SCALE	: 1:8	N° PROGETTO PROJECT	XXX.XX
DISEGNATORE DESIGNER	:	ABB SACE ADB	
APPROVAZIONE APPROVAL	:	DISEGNO N° / DRAWING N°	
DATA DATE	: xx-xx-xx	E1.2 1000A/1250A/1600A W (COUPLER COLUMN) CONNECTION BUSBARS 2x50x10xP + 1x50x10xN	
FORMATO FORMED	Formato A3 Formed	8 6 3 8 5 1	

ASSEMBLY DRAWING
E2.2 2000A W
(COUPLER COLUMN) $I_{cw} > 36KA$



H MAIN BUSBARS		
	50	60
X	25	30

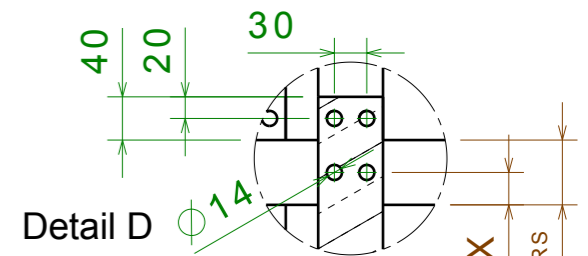
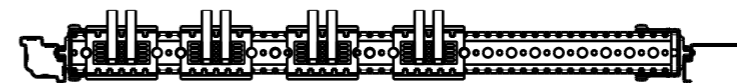
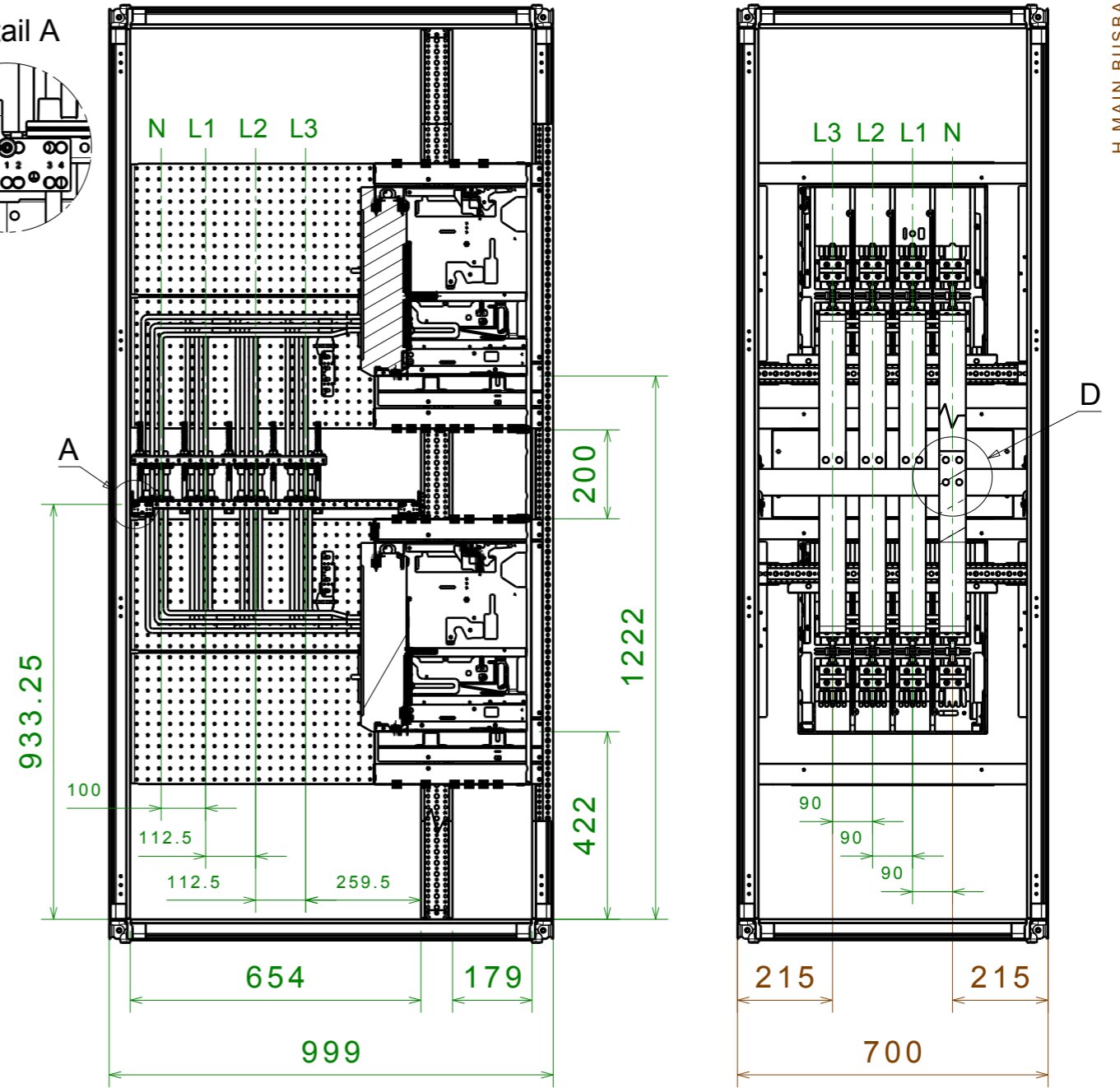
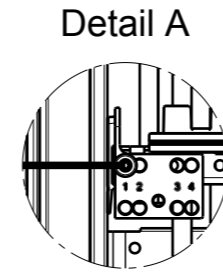


Detail C

H MAIN BUSBARS

CONNECTION BUSBARS 3x60x10xP

ASSEMBLY DRAWING
E2.2 2000A W
(COUPLER COLUMN) $I_{cw} \leq 36KA$



Detail D

H MAIN BUSBARS

AGG. DI SEGNO	SCALA SCALE : 1:14		
DESIGNER	DISEGNATORE DESIGNER :		
APPROVAZIONE	APPROVAZIONE : APPROVAL		
DATA DATE	DATA DATE : xx-xx-xx		
FORMATO	Formato A3 Formed		

N° PROGETTO / PROJECT	XXX.XX
ABB SACE ADB	
DENOMINAZIONE/NAME:	
E2.2 2000A W (COUPLER COLUMN)	
CONNECTION BUSBARS 3x60x10xP	

DISEGNO N° /DRAWING N°

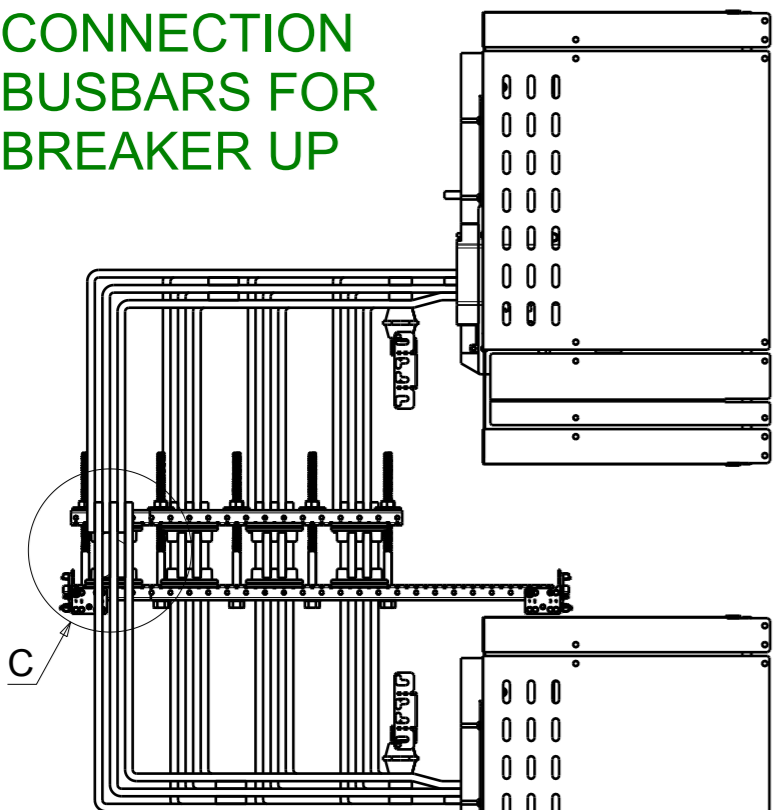
8 6 3 8 5 2

PHASE	POS		A	B	C	P
L3	1	L3.1	179.25	347.25	-	-
	2	L3.2	159.25	327.25	-	-
	2	L3.3	139.25	317.25	-	-
L2	1	L2.1	291.75	347.25	-	-
	2	L2.2	271.75	327.25	-	-
	3	L2.3	251.75	317.25	-	-
L1	1	L1.1	404.25	347.25	324	-
	2	L1.2	384.25	327.25	324	-
	3	L1.3	364.25	317.25	324	-
N	1	N.1	500.25	347.25	324	-
	2	N.2	484.25	327.25	324	-
	3	N.3	464.25	317.25	324	-

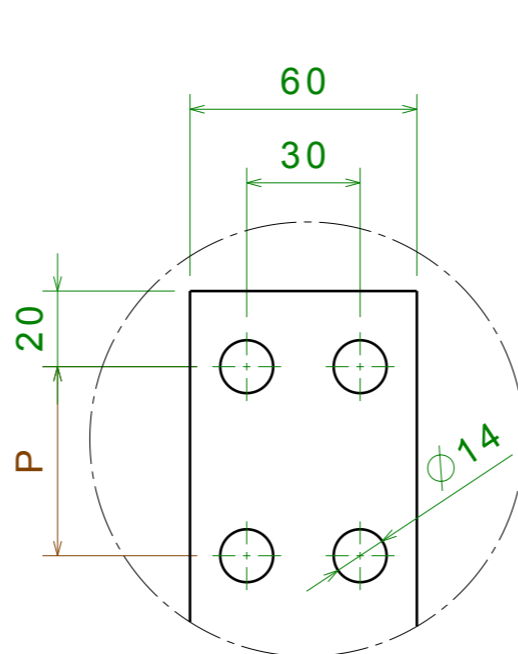
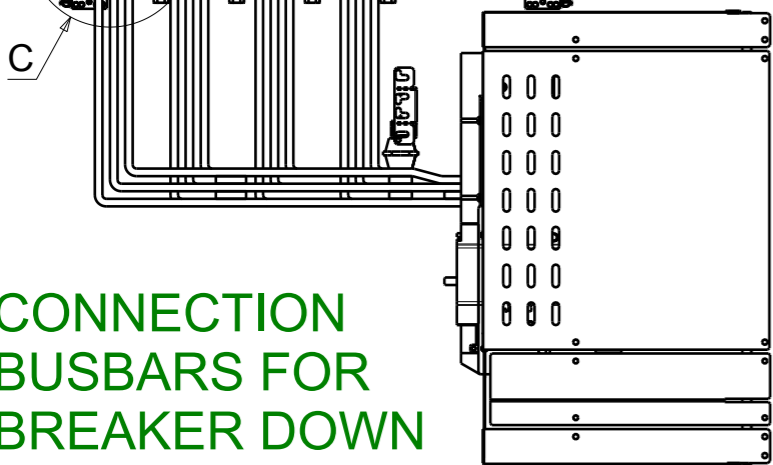
CONNECTIONS FOR E2.2 WITHDRAWABLE 2000A (COUPLER COLUMN) $I_{cw} \leq 36KA$

SPEP P=900mm
 BUSBARS HOLDER PBHB2145 (75mm)
 MAIN BUSBARS IP30 / IP31 : 2000A (2x50x10);
 MAIN BUSBARS IP40 / IP41 / IP65 : 2000A (2x60x10);

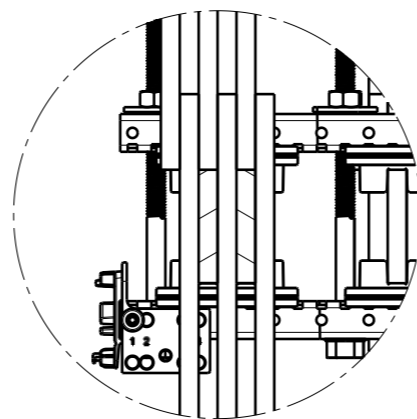
CONNECTION
 BUSBARS FOR
 BREAKER UP



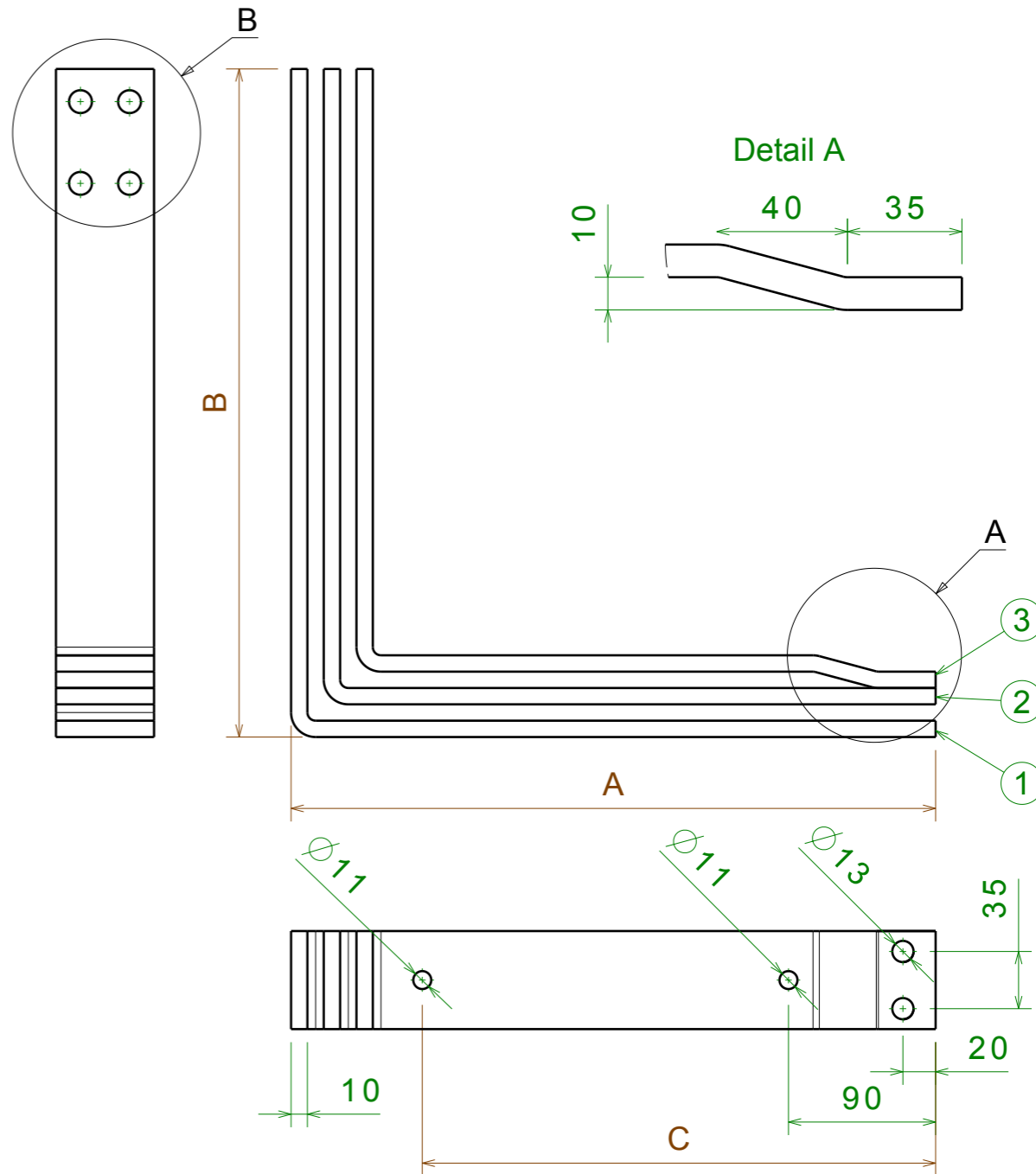
CONNECTION
 BUSBARS FOR
 BREAKER DOWN



Detail B



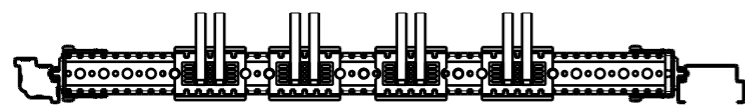
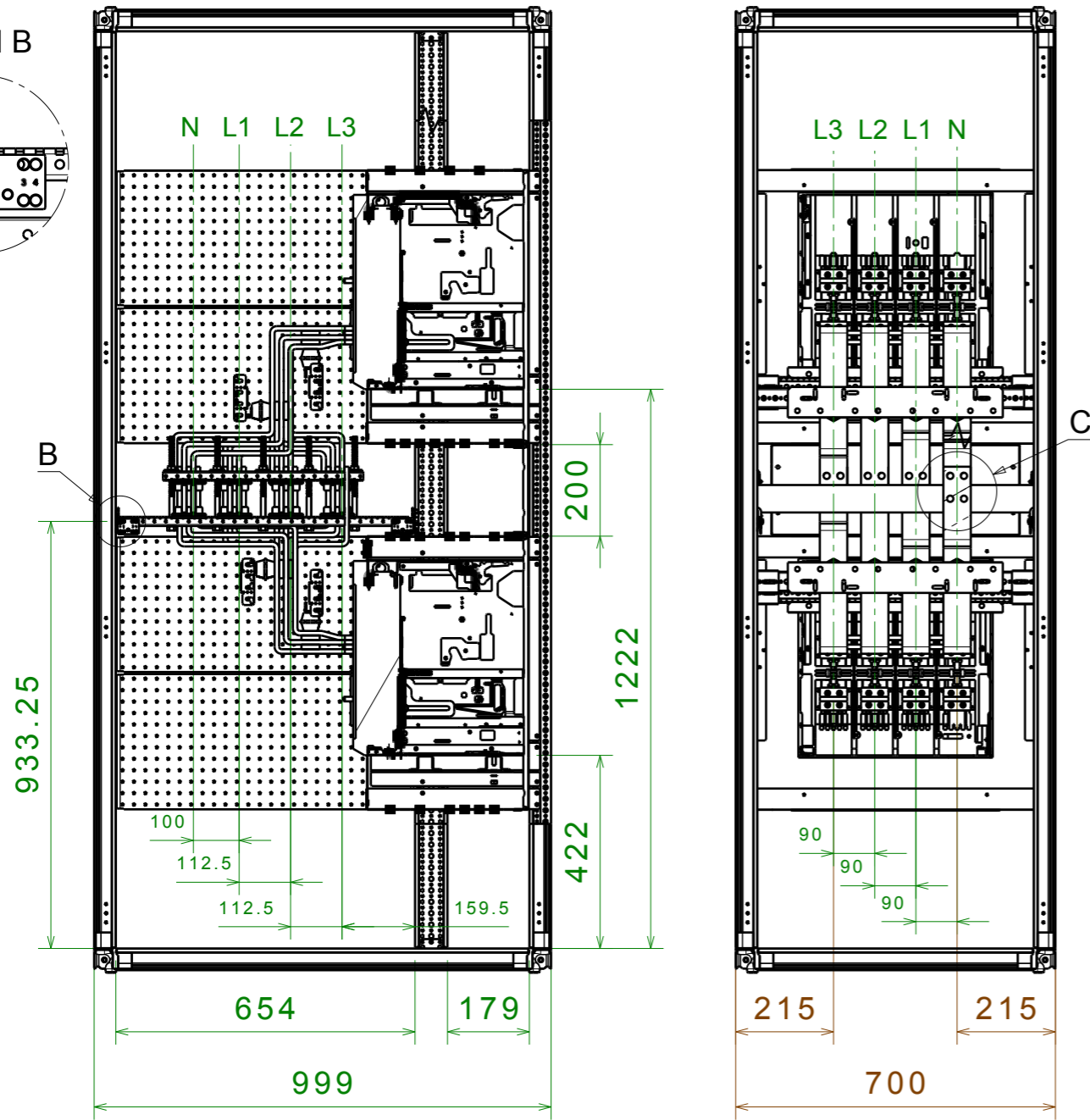
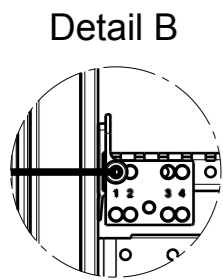
Detail C



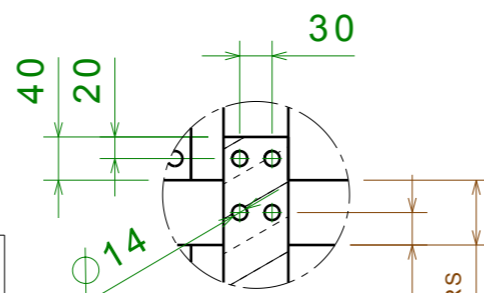
PHASE	POS		A	B	C	P	
						H MAIN BUSBAR	
L3	1	L3.1	169.25	408.75	-	55	50
	2	L3.2	149.25	388.75	-	55	50
	2	L3.3	129.25	378.75	-	55	50
L2	1	L2.1	281.75	408.75	-	55	50
	2	L2.2	261.75	388.75	-	55	50
	3	L2.3	241.75	378.75	-	55	50
L1	1	L1.1	394.25	408.75	314	55	50
	2	L1.2	374.25	388.75	314	55	50
	3	L1.3	354.25	378.75	314	55	50
N	1	N.1	494.25	408.75	314	55	50
	2	N.2	474.25	388.75	314	55	50
	3	N.3	454.25	378.75	314	55	50

SCALA SCALE	: 1:8	N° PROGETTO : PROJECT	XXX.XX
DISEGNATORE DESIGNER	:		ABB SACE ADB
APPROVAZIONE APPROVAL	:	DENOMINAZIONE/NAME: E2.2 2000A W (COUPLER COLUMN) CONNECTION BUSBARS 3x60x10xP_L	
DATA DATE	: xx-xx-xx	DISEGNO N° /DRAWING N° 8 6 3 8 5 3	
FORMATO FORMED	Formato A3 Formed	Questo disegno e' di esclusiva proprieta' di ABB SACE ADB. Ne e' vietata la riproduzione e termini di legge	

ASSEMBLY DRAWING
E2.2 2000A W
(COUPLER COLUMN) $I_{cw} > 36KA$



H MAIN BUSBARS		
	50	60
X	25	30

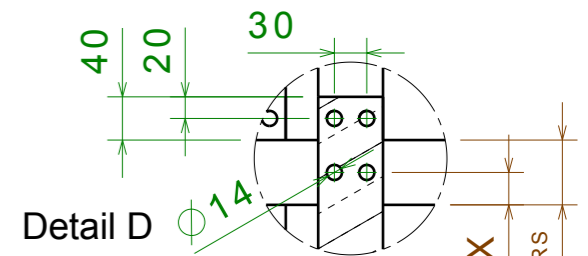
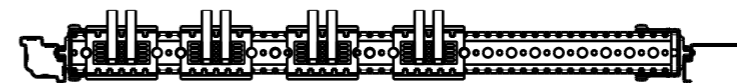
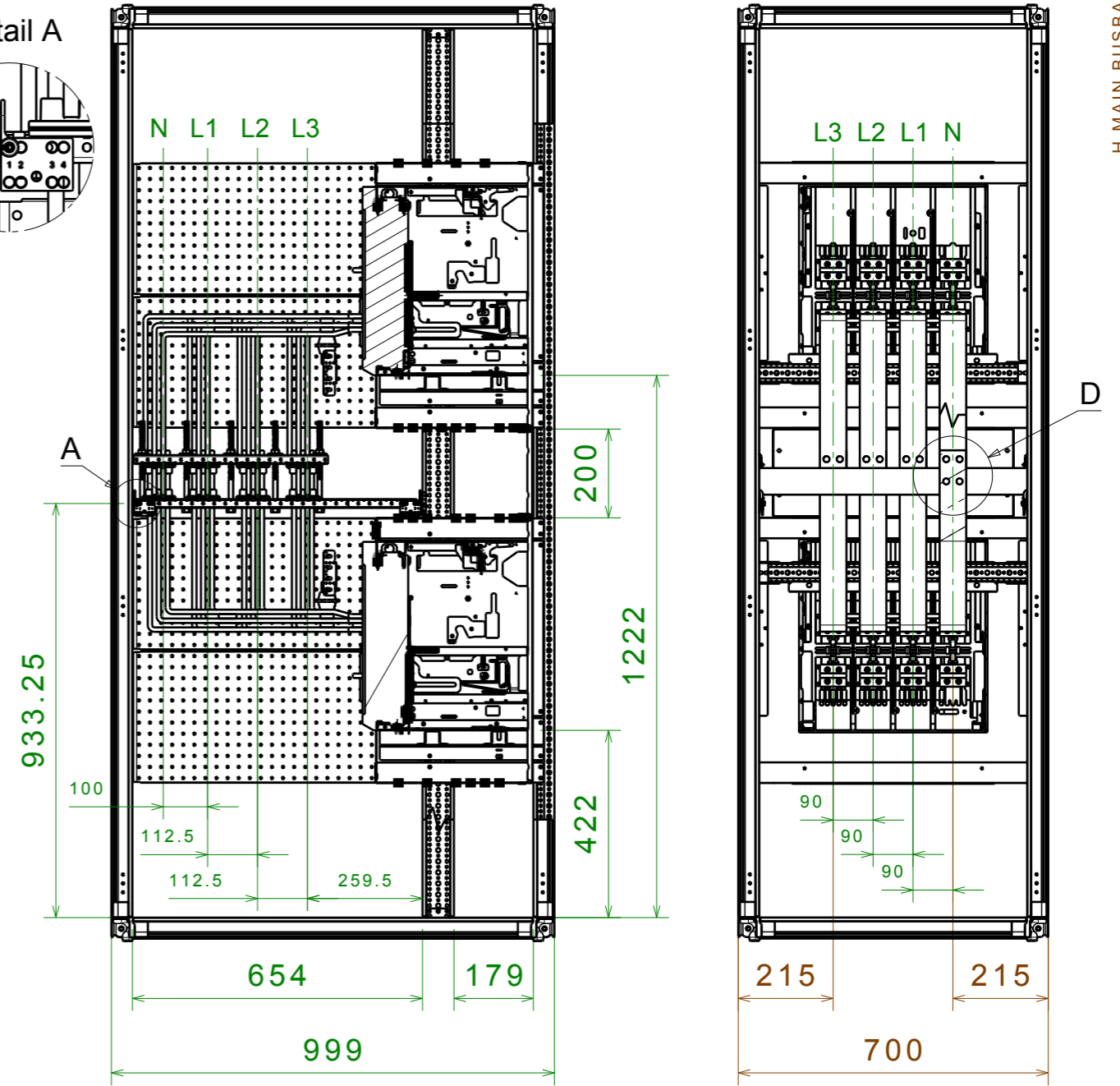
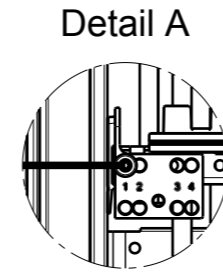


Detail C

H MAIN BUSBARS

CONNECTION BUSBARS 3x60x10xP

ASSEMBLY DRAWING
E2.2 2000A W
(COUPLER COLUMN) $I_{cw} \leq 36KA$



Detail D

H MAIN BUSBARS

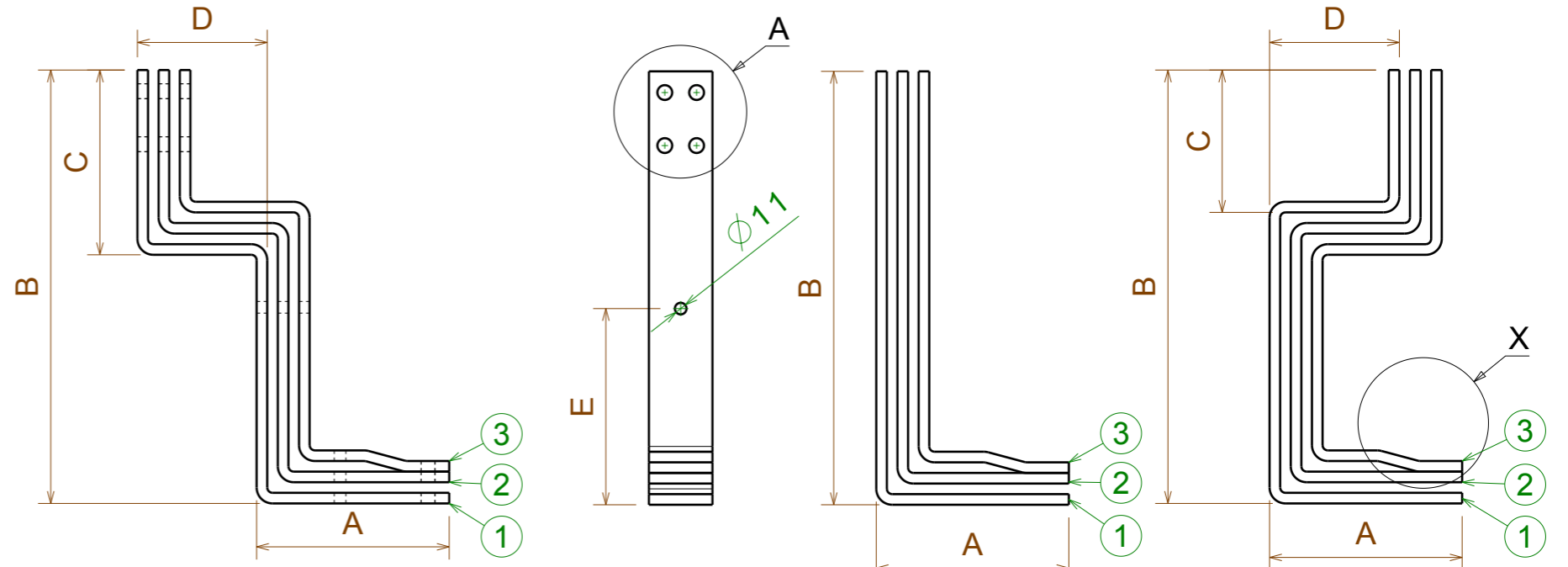
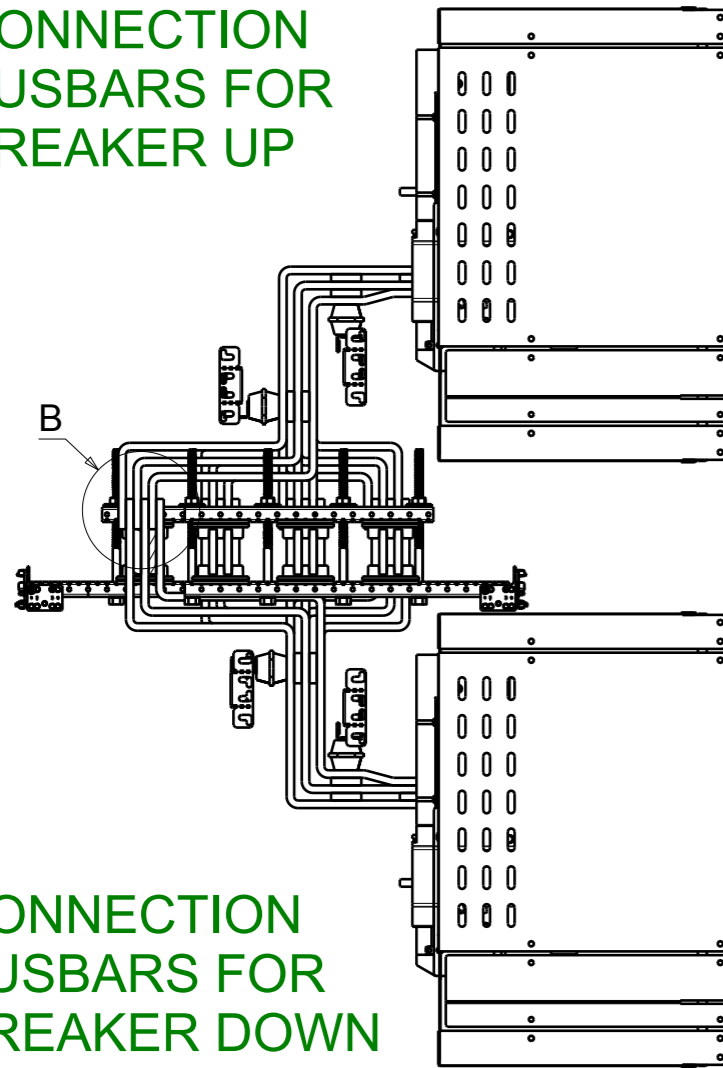
AGG. DI SEGNO	SCALA SCALE : 1:14	N° PROGETTO / PROJECT : XXX.XX	
DISEGNATORE / DESIGNER		ABB SACE ADB	
APPROVAZIONE / APPROVAL		DENOMINAZIONE/NAME : E2.2 2000A W (COUPLER COLUMN) CONNECTION BUSBARS 3x60x10xP	DISEGNO N° / DRAWING N° : 8 6 3 8 5 2
DATA	FORMATO A3 Formed		

PHASE	A	B	C	P
L3	191.75	347.25	74.25	-
	171.75	327.25	94.25	-
	151.75	317.25	114.25	-
L2	191.75	347.25	-	-
	171.75	327.25	-	-
	151.75	317.25	-	-
L1	191.75	347.25	114.25	-
	171.75	327.25	94.25	-
	151.75	317.25	74.25	-
N	191.75	347.25	114.25	-
	171.75	327.25	94.25	-
	151.75	317.25	74.25	-

CONNECTIONS FOR E2.2 WITHDRAWABLE 2000A (COUPLER COLUMN) $I_{cw} > 36KA$

SPEP P=900mm
 BUSBARS HOLDER PBHB2145 (75mm)
 MAIN BUSBARS IP30 / IP31 : 2000A (2x50x10);
 MAIN BUSBARS IP40 / IP41 / IP65 : 2000A (2x60x10);

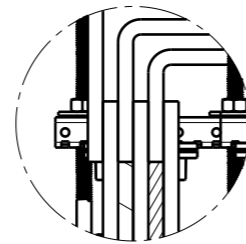
CONNECTION
BUSBARS FOR
BREAKER UP



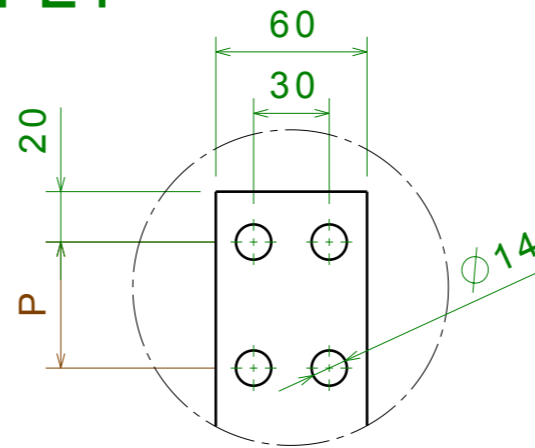
N-L1

L2

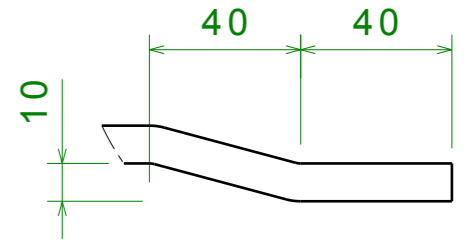
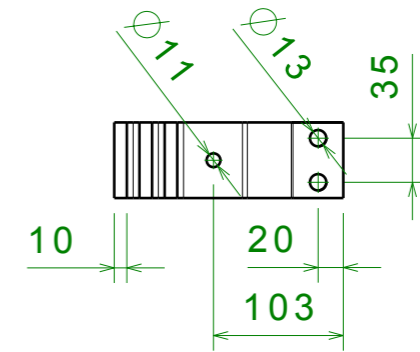
L3



Detail B



Detail A



Detail X
Scale: 1:2

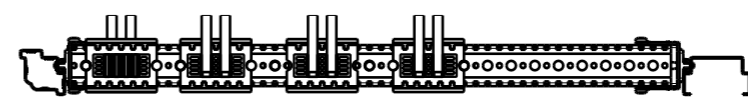
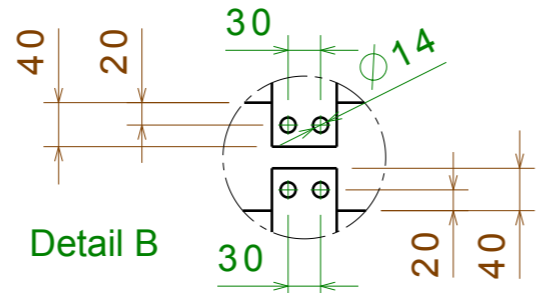
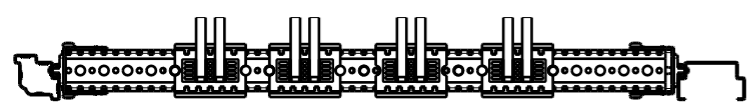
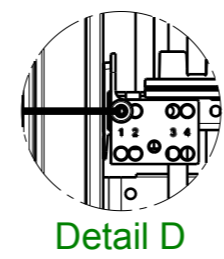
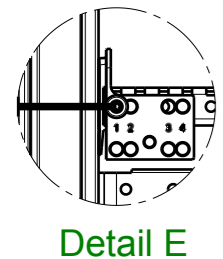
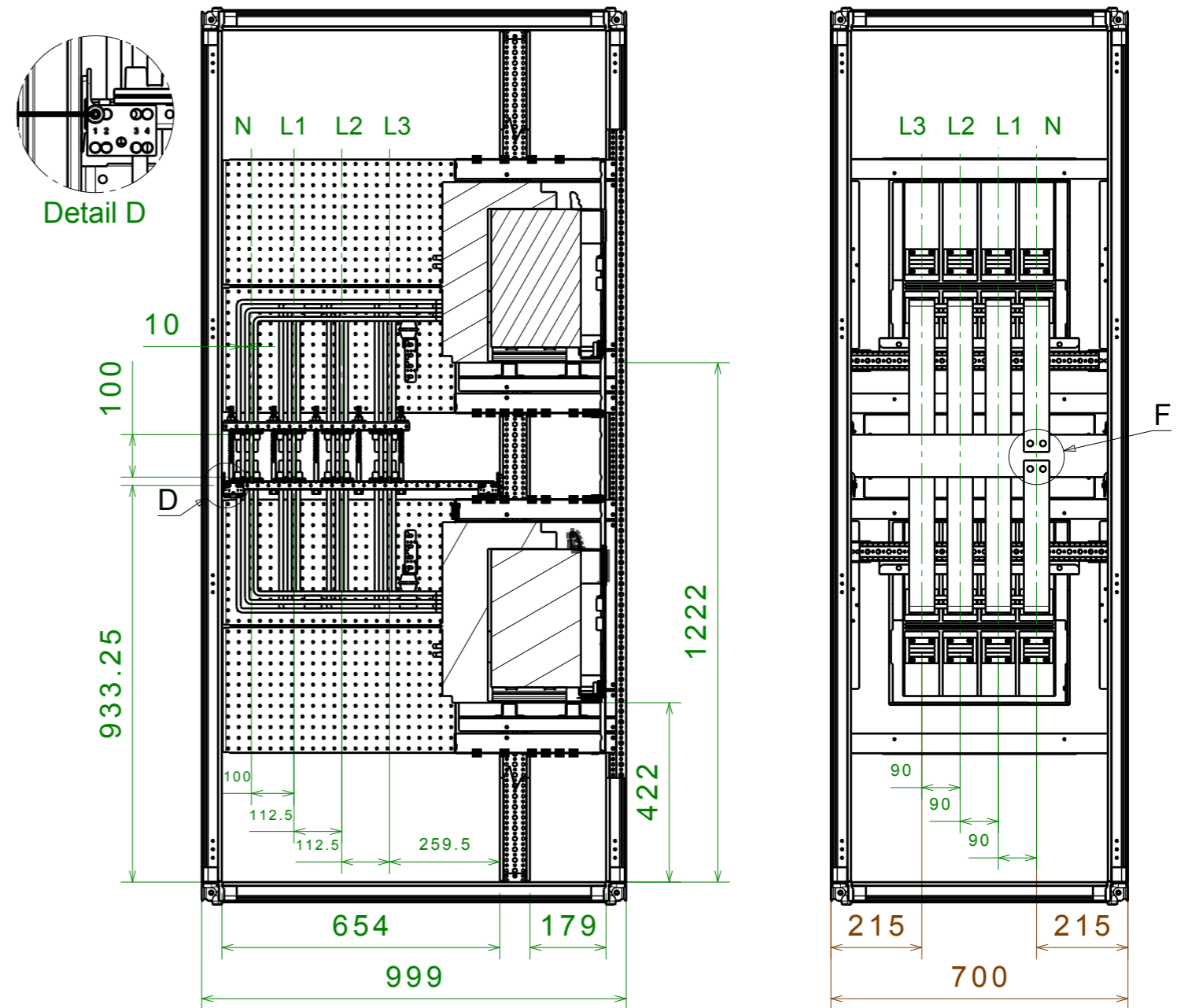
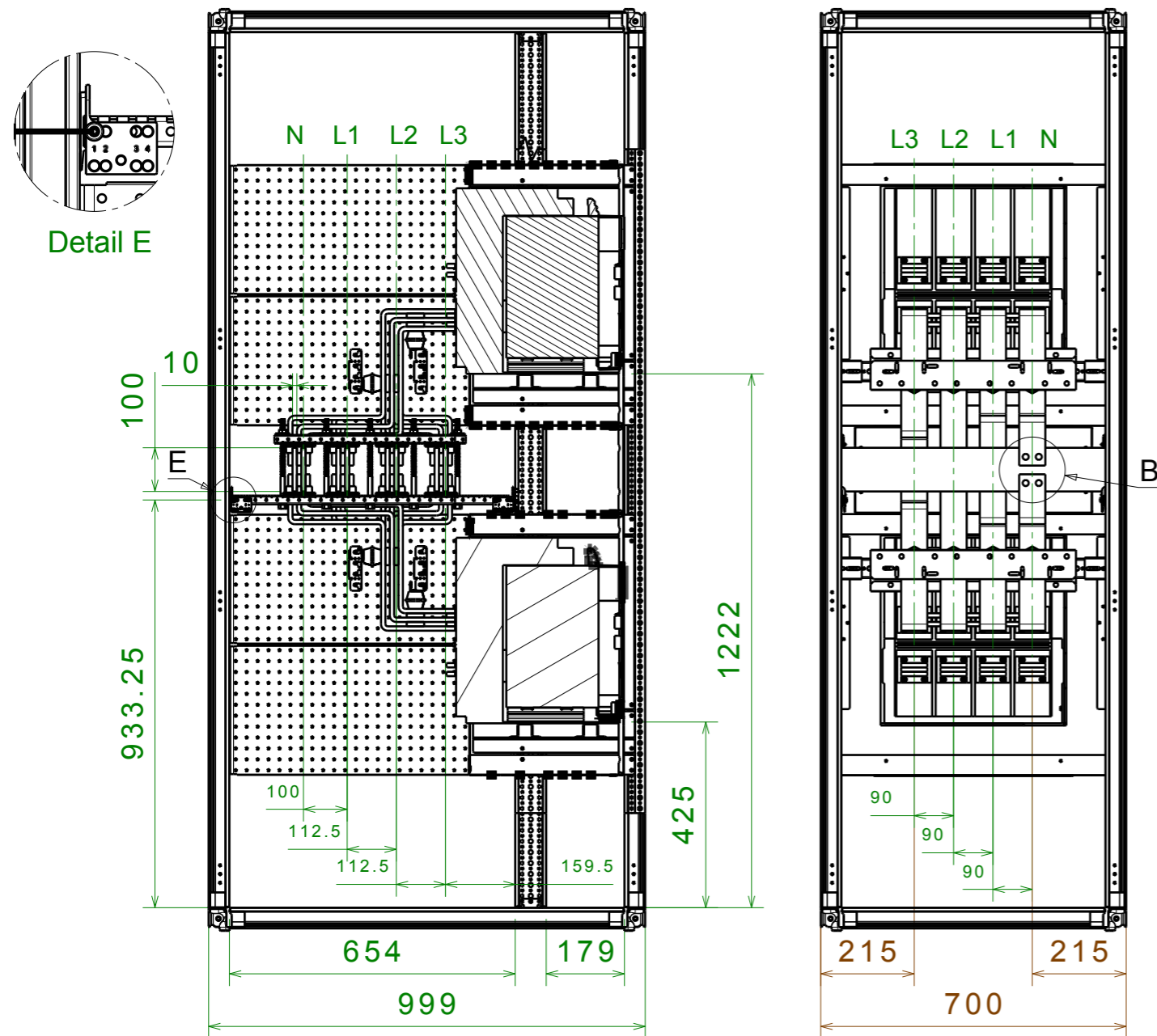
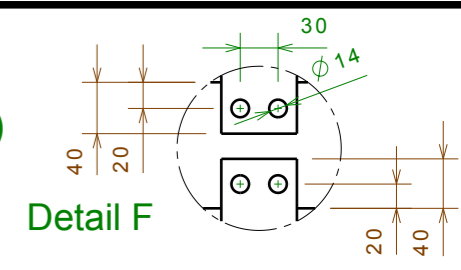
PHASE	A	B	C	P	
				H MAIN BUSBAR	
L3	181.75	408.75	134.25	55	50
	161.75	388.75	154.25	55	50
	141.75	378.75	174.25	55	50
L2	181.75	408.75	-	55	50
	161.75	388.75	-	55	50
	141.75	378.75	-	55	50
L1	181.75	408.75	174.25	55	50
	161.75	388.75	154.25	55	50
	141.75	378.75	134.25	55	50
N	181.75	408.75	174.25	55	50
	161.75	388.75	154.25	55	50
	141.75	378.75	134.25	55	50

PHASE	POS	D	E
L3	1	L3.1	122.5
	2	L3.2	122.5
	3	L3.3	122.5
L2	1	L2.1	-
	2	L2.2	-
	3	L2.3	-
L1	1	L1.1	122.5
	2	L1.2	122.5
	3	L1.3	122.5
N	1	N.1	222.5
	2	N.2	222.5
	3	N.3	222.5

AGG. DI SEGNO	SCALA SCALE : 1:6	TRATT.:
MODIFICA	DISEGNATORE DESIGNER :	N° PROGETTO : XXX.XX
DATA	APPROVAZIONE : APPROVAL	ABB ABB SACE ADB
	DATA DATE : xx-xx-xx	DENOMINAZIONE/NAME:
	Formato A3 Formed	E2.2 2000A W (COUPLER COLUMN)
		CONNECTION BUSBARS 3x60x10xP
		DISEGNO N° /DRAWING N°
		8 6 3 8 5 4

ASSEMBLY DRAWING
E2.2 2500A W (COUPLER COLUMN)
I_{cw} > 36KA

ASSEMBLY DRAWING
E2.2 2500A W (COUPLER COLUMN)
I_{cw} ≤ 36KA



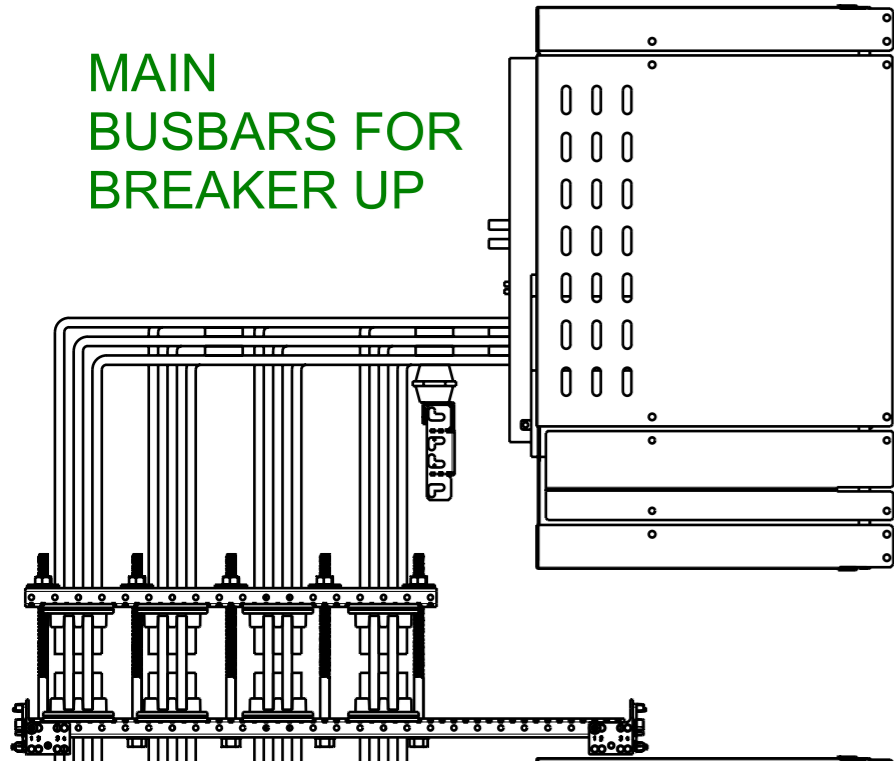
CONNECTION BUSBARS 3x60x10xP

AGG. DI SEGNO	SCALA SCALE	: 1:14	N° PROGETTO / PROJECT	XXX.XX
DISEGNATORE DESIGNER	APPROVAZIONE / APPROVAL		ABB ABB SACE ADB DENOMINAZIONE/NAME: E2.2 2500A W (COUPLER COLUMN) CONNECTION BUSBARS 3x60x10xP	
MODIFICA	DATA DATE	: xx-xx-xx		
DATA	Formato A3 Formed		Questo disegno è di esclusiva proprietà di ABB SACE ADB. Ne è vietata la riproduzione e termini di legge.	

CONNECTIONS FOR E2.2 2500A WITHDRAWABLE (COUPLER COLUMN) $I_{cw} \leq 36KA$

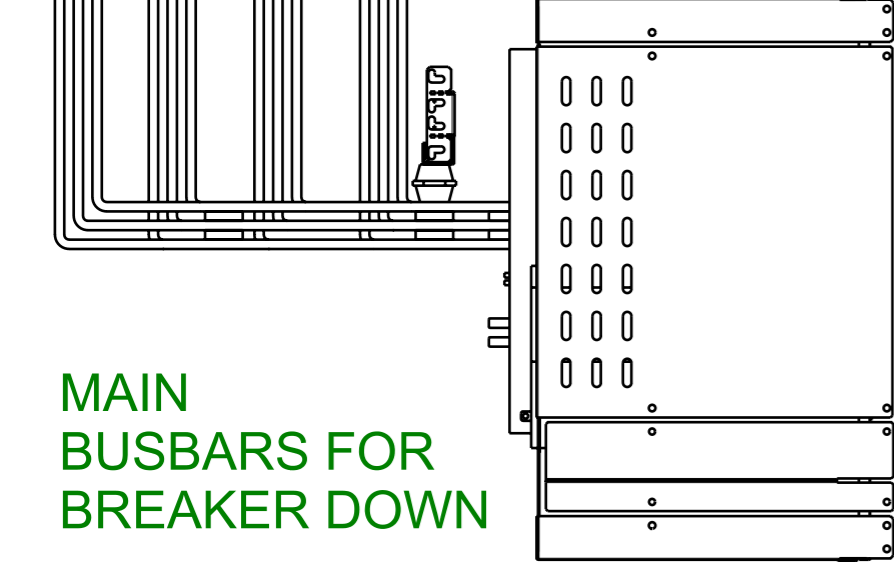
SPEP P = 900mm
 BUSBARS HOLDER PBHB2145 (75mm)
 MAIN BUSBARS IP30 / IP31 : 2500A (2x80x10);
 MAIN BUSBARS IP40 / IP41 / IP65 : 2500A (2x100x10)

MAIN
BUSBARS FOR
BREAKER UP

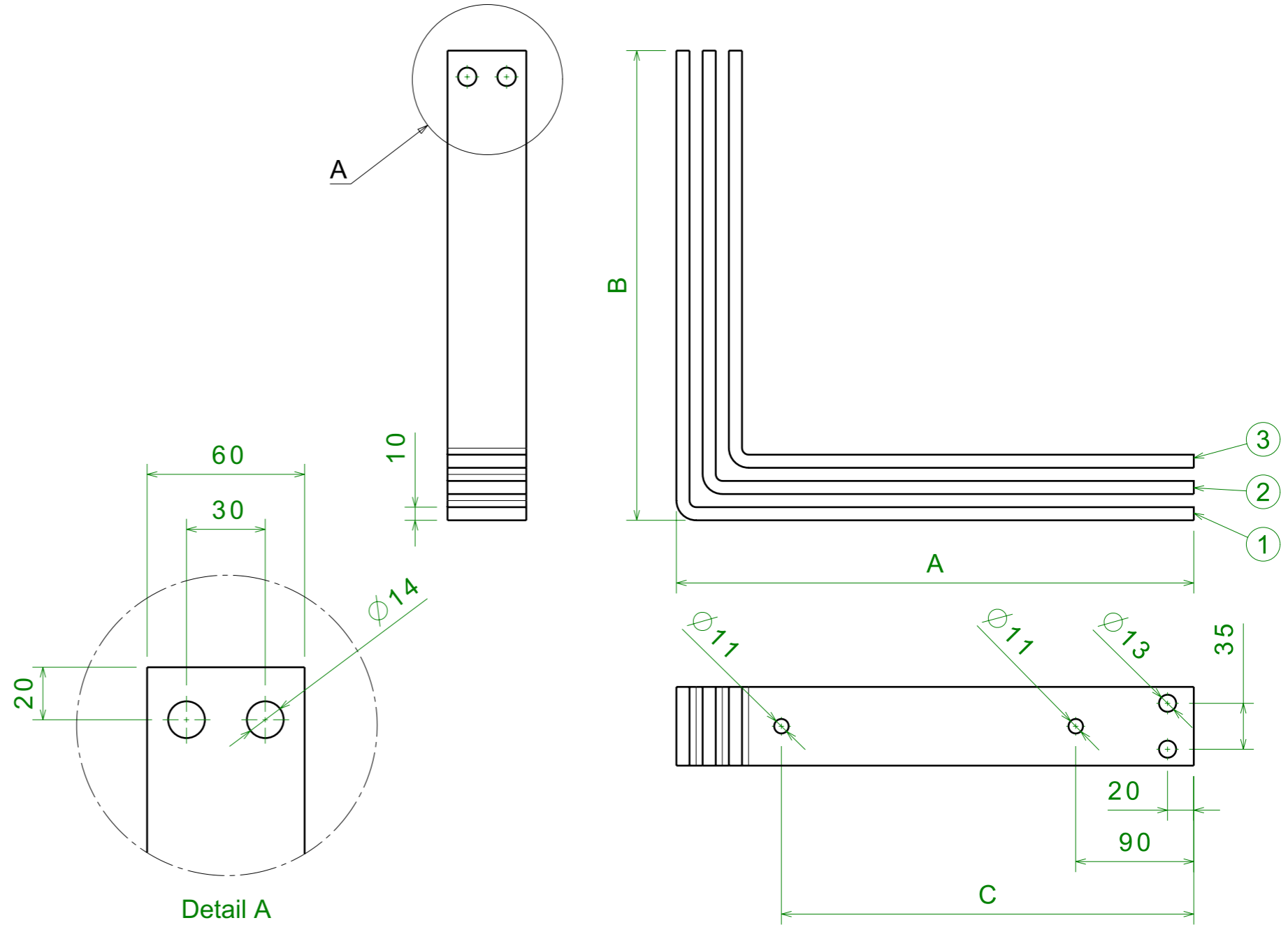


	B	
	H MAIN BUSBARS	
	80	100
L3.1	378	358
L3.2	358	338
L3.3	338	318
L2.1	378	358
L2.2	358	338
L2.3	338	318
L1.1	378	358
L1.2	358	338
L1.3	338	318
N.1	378	358
N.2	358	338
N.3	338	318

MAIN
BUSBARS FOR
BREAKER DOWN



	B	
	H MAIN BUSBARS	
	80	100
L3.1	358	358
L3.2	338	338
L3.3	318	318
L2.1	358	358
L2.2	338	338
L2.3	318	318
L1.1	358	358
L1.2	338	338
L1.3	318	318
N.1	358	358
N.2	338	338
N.3	318	318



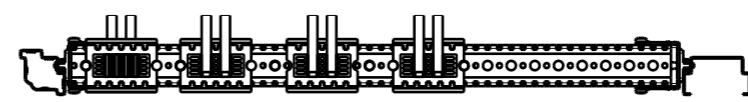
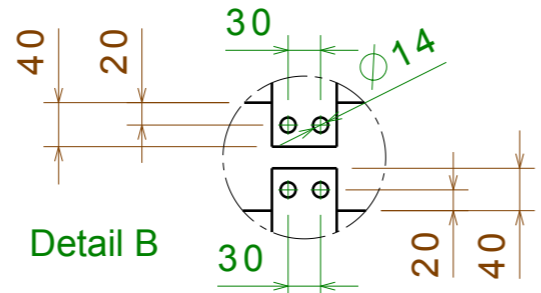
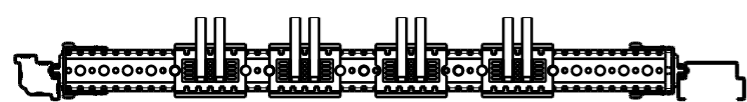
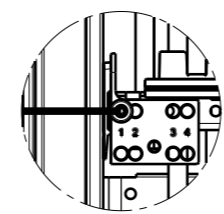
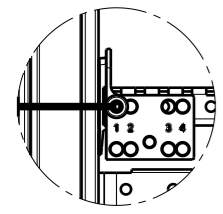
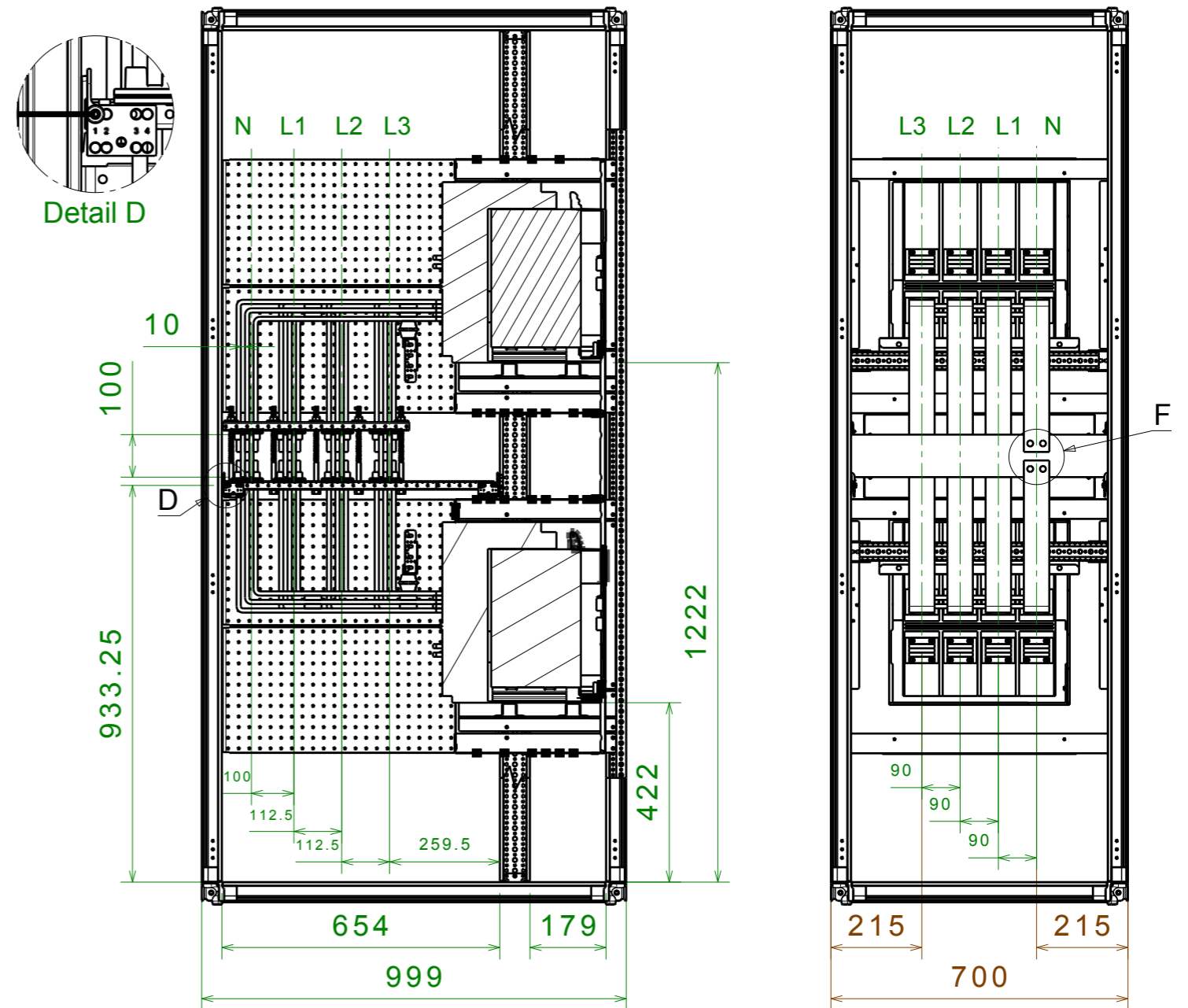
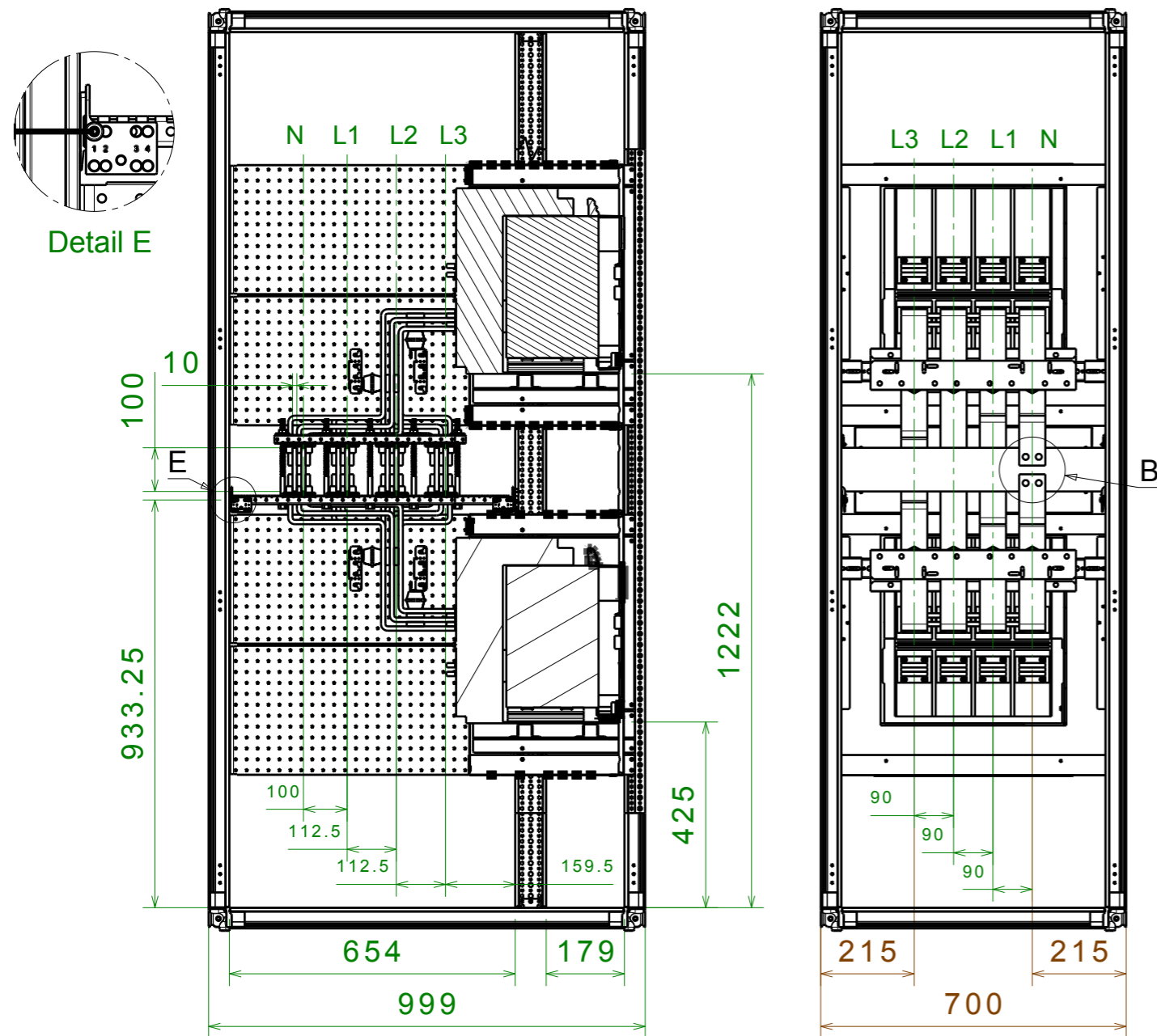
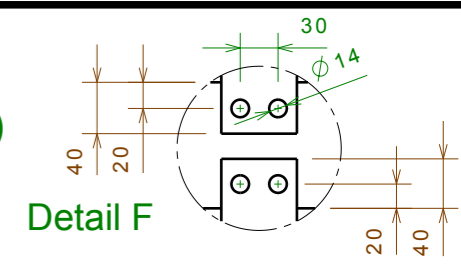
PHASE	POS		A	C
L3	1	L3.1	169.25	-
	2	L3.2	149.25	-
	3	L3.3	129.25	-
L2	1	L2.1	281.75	-
	2	L2.2	261.75	-
	3	L2.3	241.75	-
L1	1	L1.1	394.25	314.25
	2	L1.2	374.25	314.25
	3	L1.3	354.25	314.25
N	1	N.1	494.25	314.25
	2	N.2	474.25	314.25
	3	N.3	454.25	314.25

Detail A

SCALA SCALE	: 1:4	N° PROGETTO : PROJECT	XXX.XX
DISSEGNAZIONE DESIGNER	:	ABB SACE ADB	
APPROVAZIONE APPROVAL	:	DENOMINAZIONE/NAME: E2.2 2500A WITHDRAWABLE (COUPLER COLUMN) CONNECTION BUSBARS 3x60x10xP_L	
DATA DATE	: XX-XX-XX	DISEGNO N° /DRAWING N° 8 6 3 8 3 8	
FORMATO FORMED	Formato A3 Formed	Questo disegno e' di esclusiva proprieta' di ABB SACE ADB. Ne e' vietata la riproduzione a termini di legge	

ASSEMBLY DRAWING
E2.2 2500A W (COUPLER COLUMN)
I_{cw} > 36KA

ASSEMBLY DRAWING
E2.2 2500A W (COUPLER COLUMN)
I_{cw} ≤ 36KA



CONNECTION BUSBARS 3x60x10xP

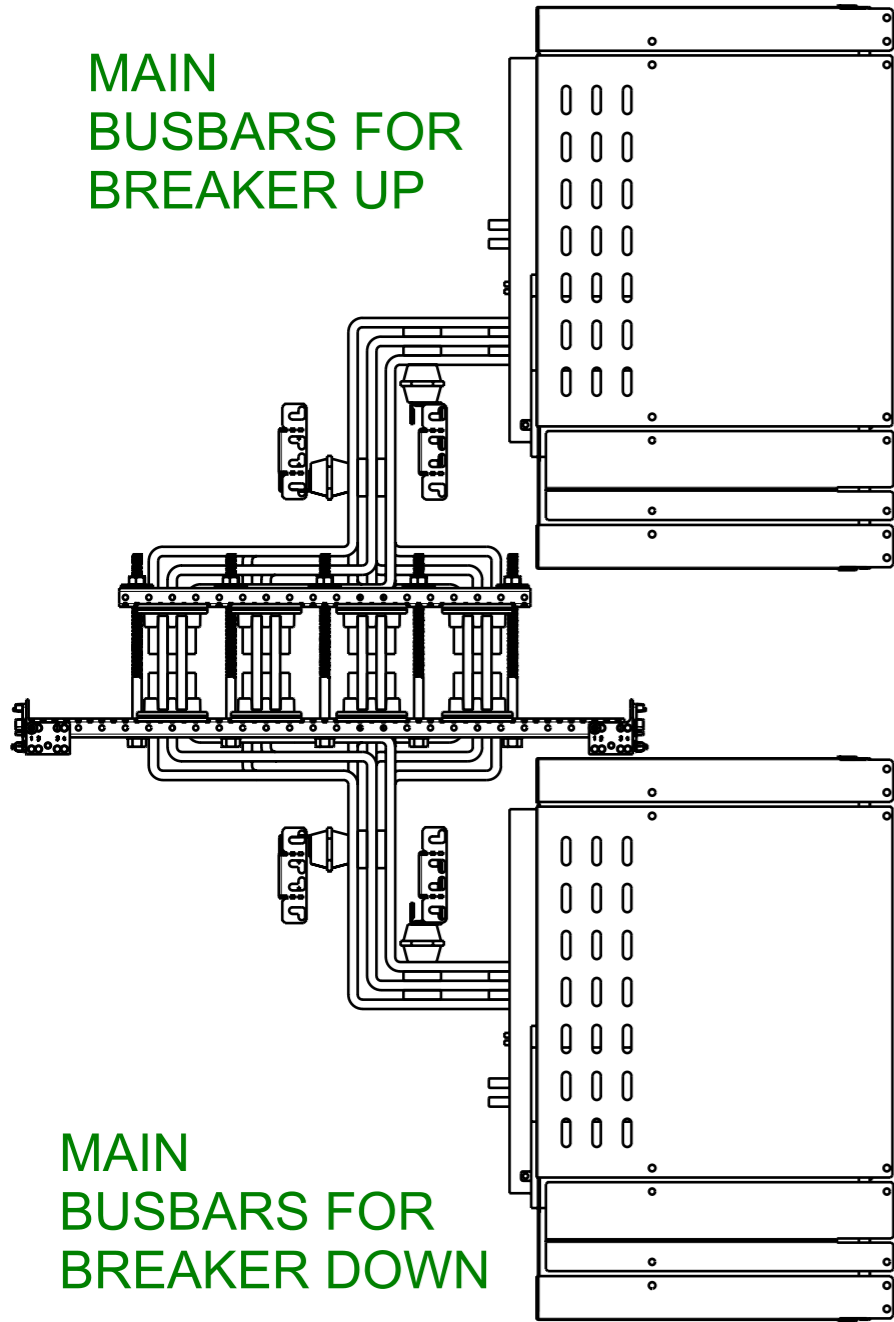
AGG. DI SEGNO	SCALA SCALE	: 1:14	N° PROGETTO / PROJECT	XXX.XX
DISEGNATORE DESIGNER	APPROVAZIONE / APPROVAL		ABB ABB SACE ADB DENOMINAZIONE/NAME: E2.2 2500A W (COUPLER COLUMN) CONNECTION BUSBARS 3x60x10xP	
MODIFICA	DATA DATE	: xx-xx-xx		
DATA	Formato A3 Formed		DISEGNO N° /DRAWING N° 8 6 3 8 3 6	

Questo disegno e' di esclusiva proprieta' di ABB SACE ADB. Ne e' vietata la riproduzione e termini di legge

CONNECTIONS FOR E2.2 2500A WITHDRAWABLE (COUPLER COLUMN) $I_{cw} > 36KA$

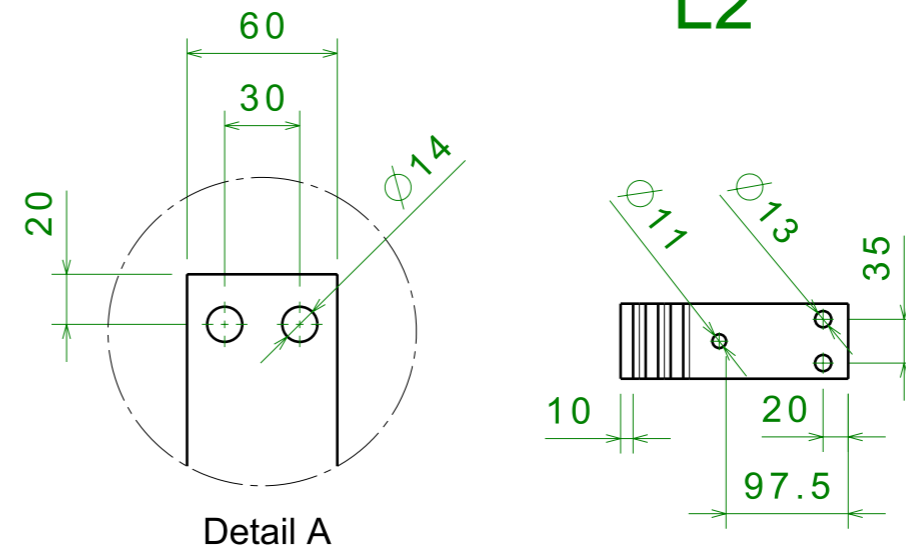
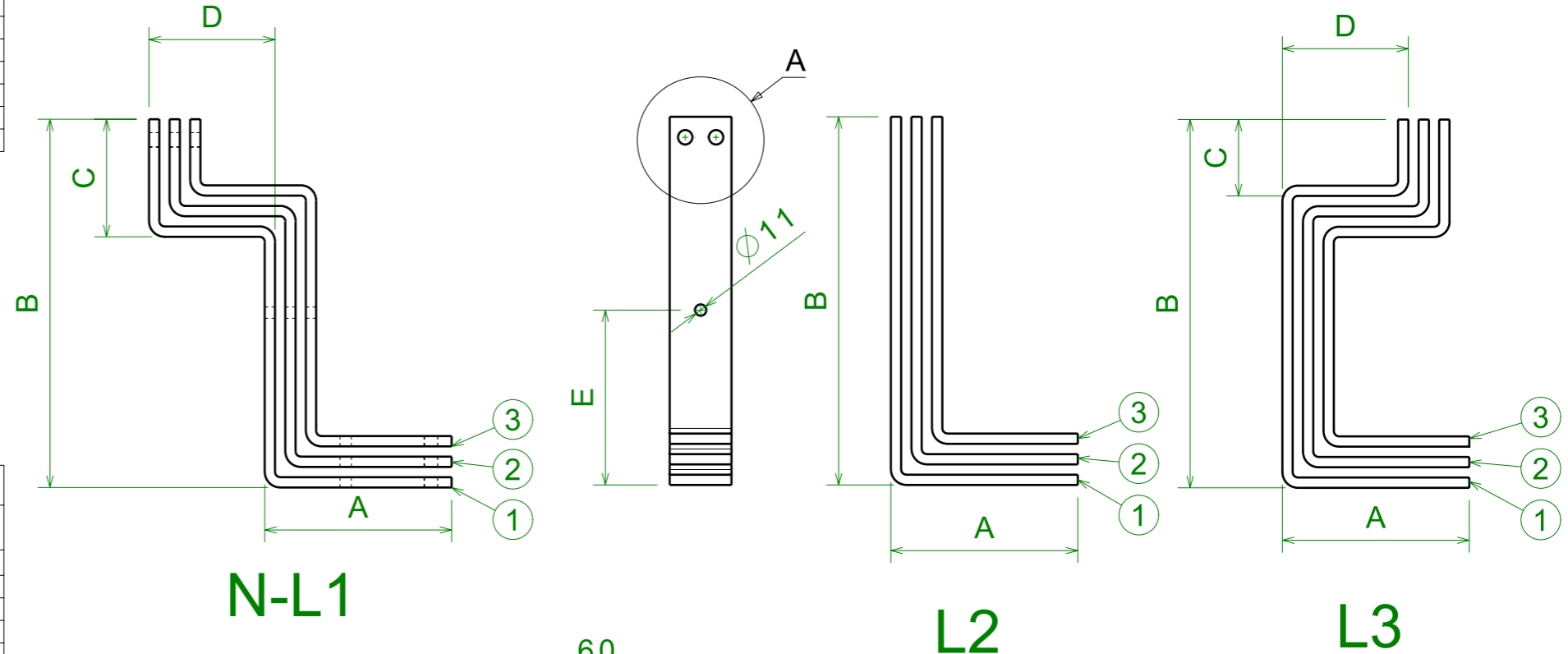
SPEP P = 900mm
 BUSBARS HOLDER PBHB2145 (75mm)
 MAIN BUSBARS IP30 / IP31 : 2500A (2x80x10);
 MAIN BUSBARS IP40 / IP41 / IP65 : 2500A (2x100x10)

MAIN
BUSBARS FOR
BREAKER UP



	B	
	H MAIN BUSBARS	
	80	100
L3.1	378	358
L3.2	358	338
L3.3	338	318
L2.1	378	358
L2.2	358	338
L2.3	338	318
L1.1	378	358
L1.2	358	338
L1.3	338	318
N.1	378	358
N.2	358	338
N.3	338	318

	B	
	H MAIN BUSBARS	
	80	100
L3.1	358	358
L3.2	338	338
L3.3	318	318
L2.1	358	358
L2.2	338	338
L2.3	318	318
L1.1	358	358
L1.2	338	338
L1.3	318	318
N.1	358	358
N.2	338	338
N.3	318	318



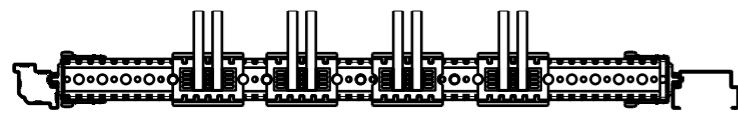
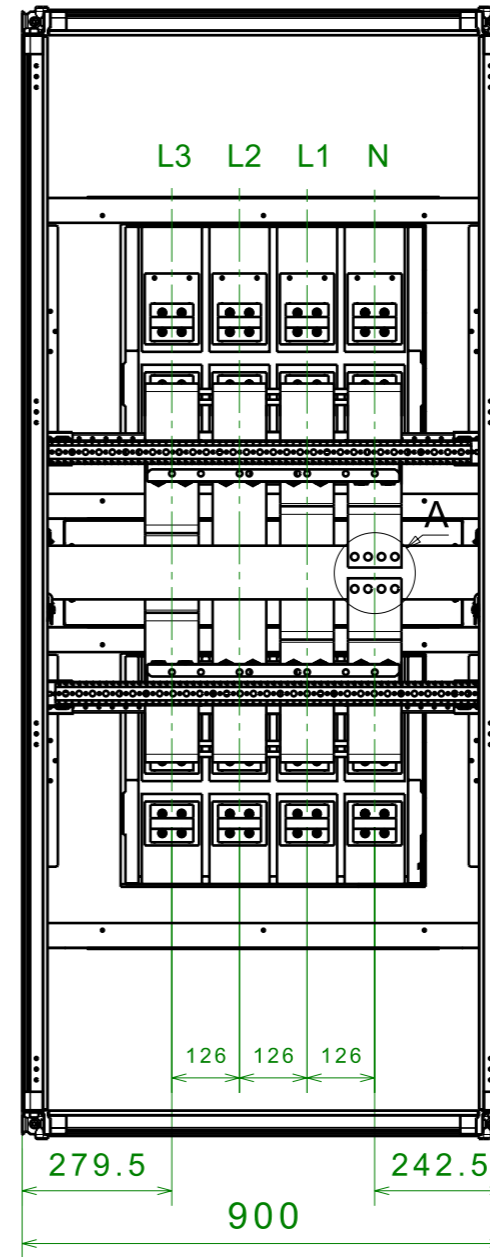
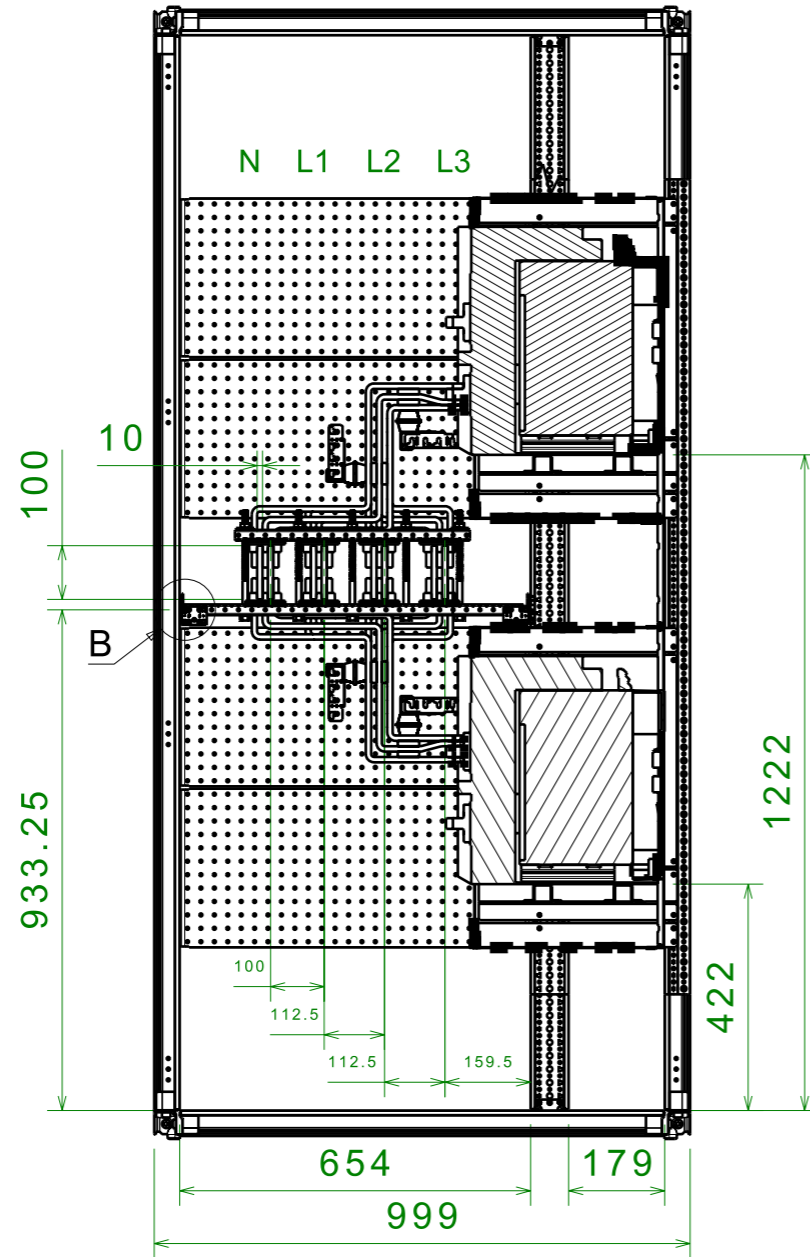
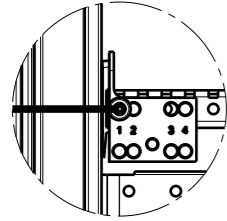
MAIN
BUSBARS FOR
BREAKER DOWN

PHASE	POS		A	C	D	E
L3	1	L3.1	181.75	74.25	122.5	170
	2	L3.2	161.75	94.25	122.5	150
	3	L3.3	141.75	114.25	122.5	130
L2	1	L2.1	181.75	-	-	170
	2	L2.2	161.75	-	-	150
	3	L2.3	141.75	-	-	130
L1	1	L1.1	181.75	114.25	122.5	170
	2	L1.2	161.75	94.25	122.5	150
	3	L1.3	141.75	74.25	122.5	130
N	1	N.1	181.75	114.25	222.5	170
	2	N.2	161.75	94.25	222.5	150
	3	N.3	141.75	74.25	222.5	130

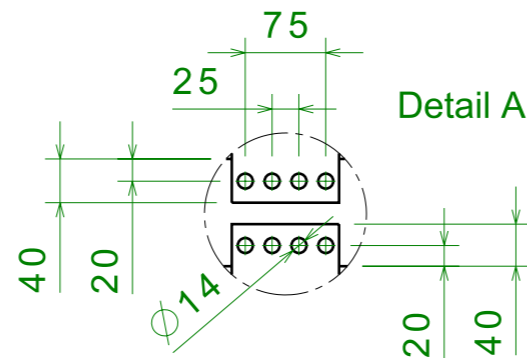
SCALA SCALE	: 1:8	N° PROGETTO : PROJECT	XXX.XX
DISSEGNA DESIGNER	:	ABB SACE ADB	
APPROVA APPROVAL	:	DISEGNO N° /DRAWING N°	
DATA DATE	: XX-XX-XX	E2.2 2500A WITHDRAWABLE (COUPLER COLUMN) CONNECTION BUSBARS 3x60x10xP_S	
FORMATO FORMED	Formato A3 Formed	8 6 3 8 3 7	

ASSEMBLY DRAWING E4.2 3200A W (COUPLER COLUMN) I_{cw} > 36KA

Detail B



Detail A



CONNECTION BUSBARS 3x100x10xP

		SCALA SCALE	: 1:14				
		DISEGNATORE DESIGNER	:		N° PROGETTO : PROJECT	XXX.XX	
		APPROVAZIONE APPROVAL	:		ABB ABB SACE ADB	DISEGNO N° /DRAWING N° E4.2 3200A W (COUPLER COLUMN) CONNECTION BUSBARS 3x100x10xP	
		DATA DATE	:	xx-xx-xx			
		FORMATO FORMED	:	Formato A3 Formed	Questo disegno e' di esclusiva proprieta' di ABB SACE ADB. Ne e' vietata la riproduzione a termini di legge		

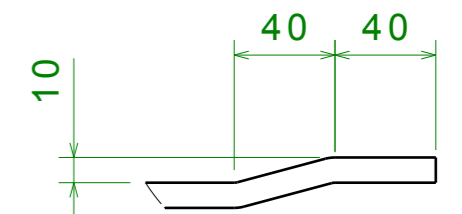
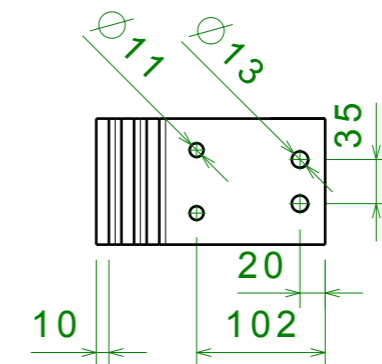
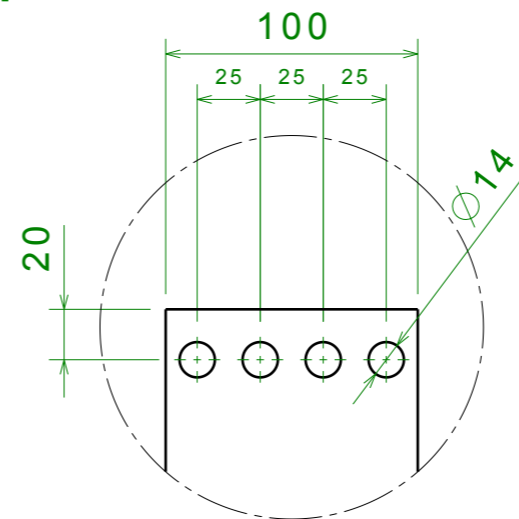
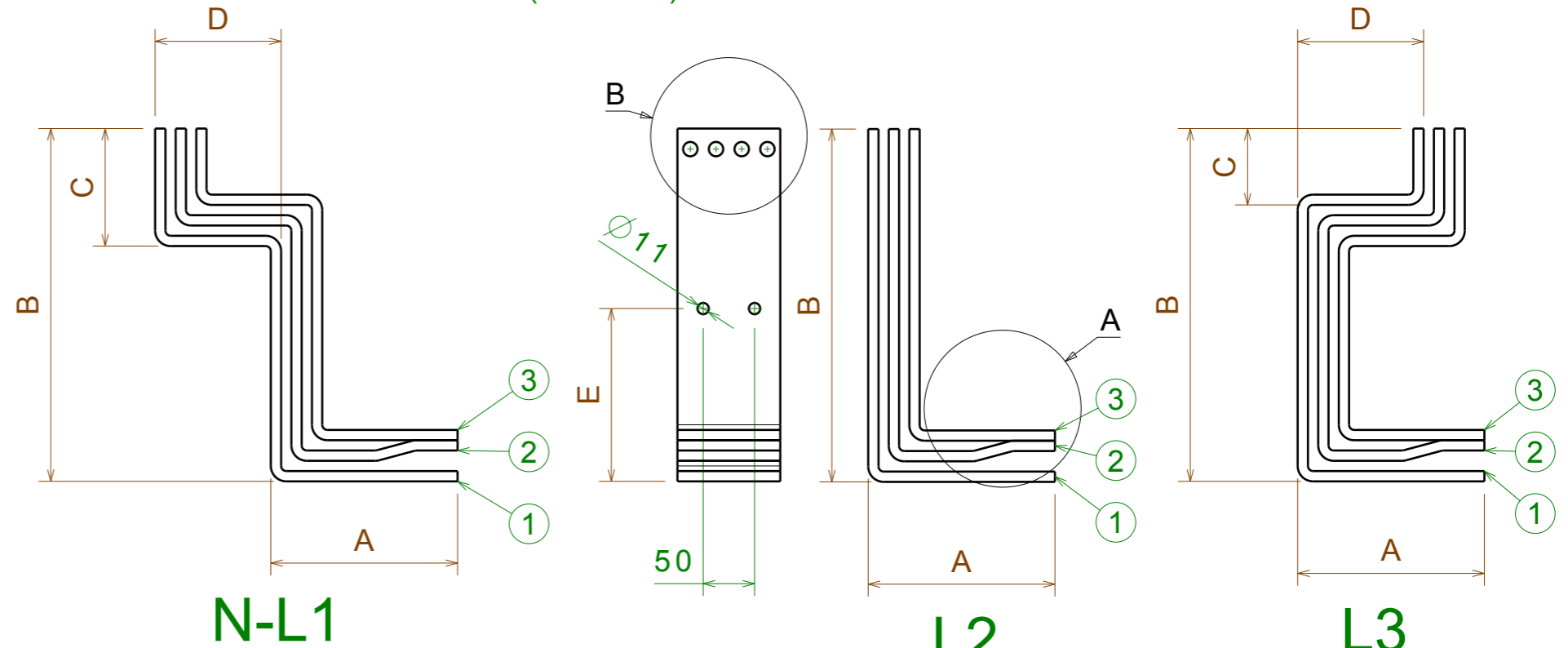
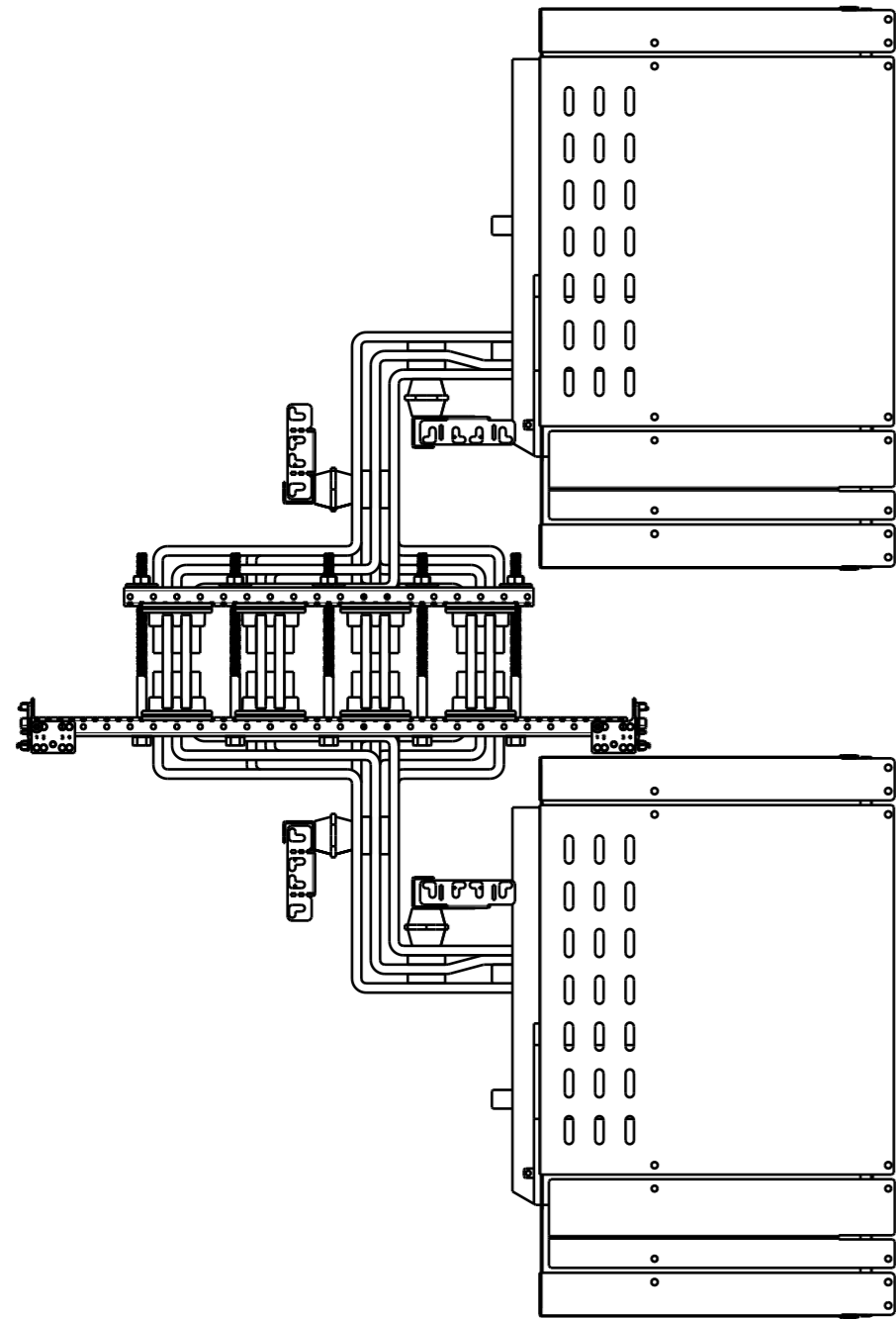
CONNECTIONS FOR E4.2 3200A WITHDRAWABLE (COUPLER COLUMN)

I_{cw} > 36KA

SPEP P = 900mm

BUSBARS HOLDER PBHB2145 (75mm)

MAIN BUSBAR IP30 / IP31 : 3200A (2x100x10)



Detail A

Detail B

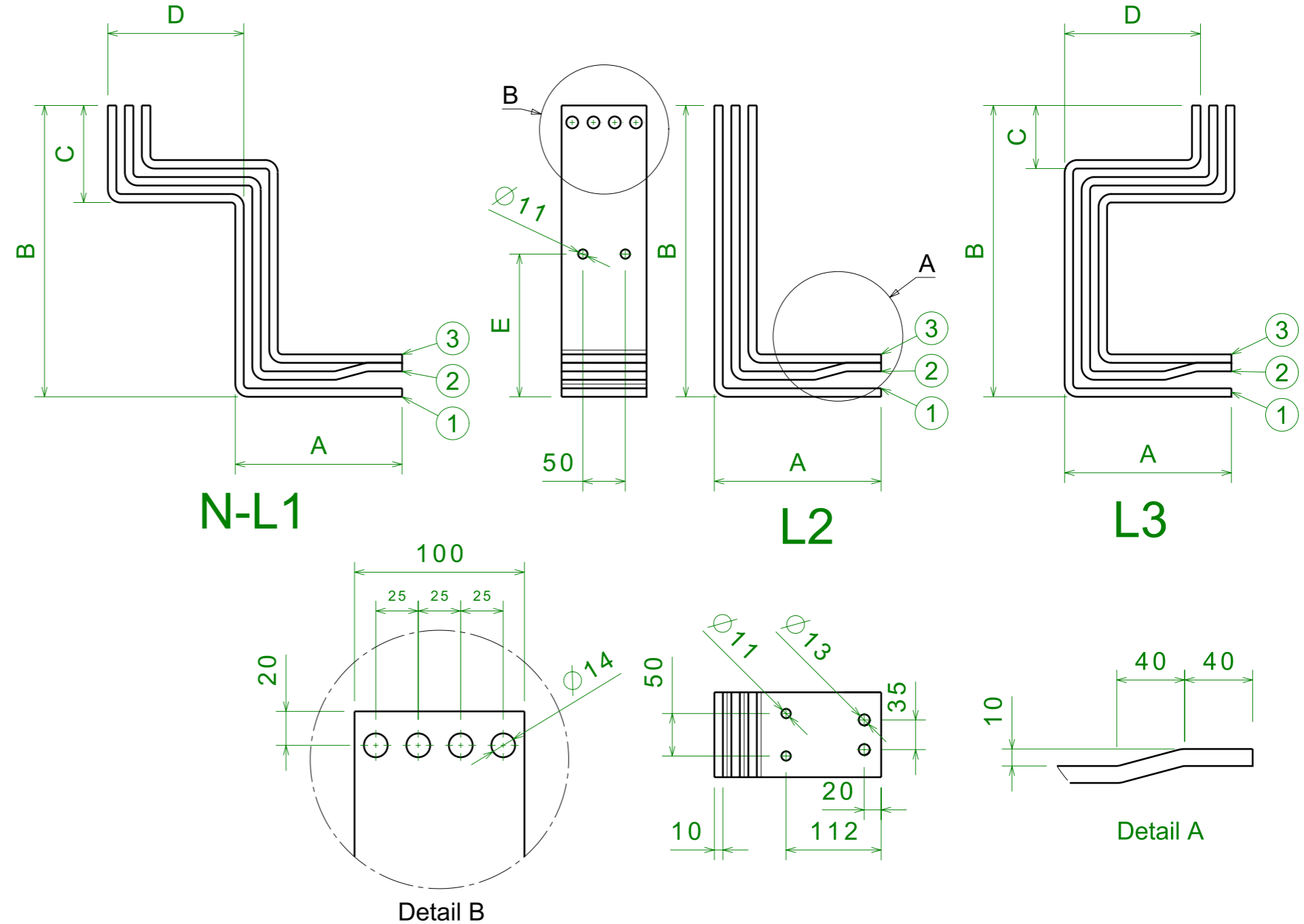
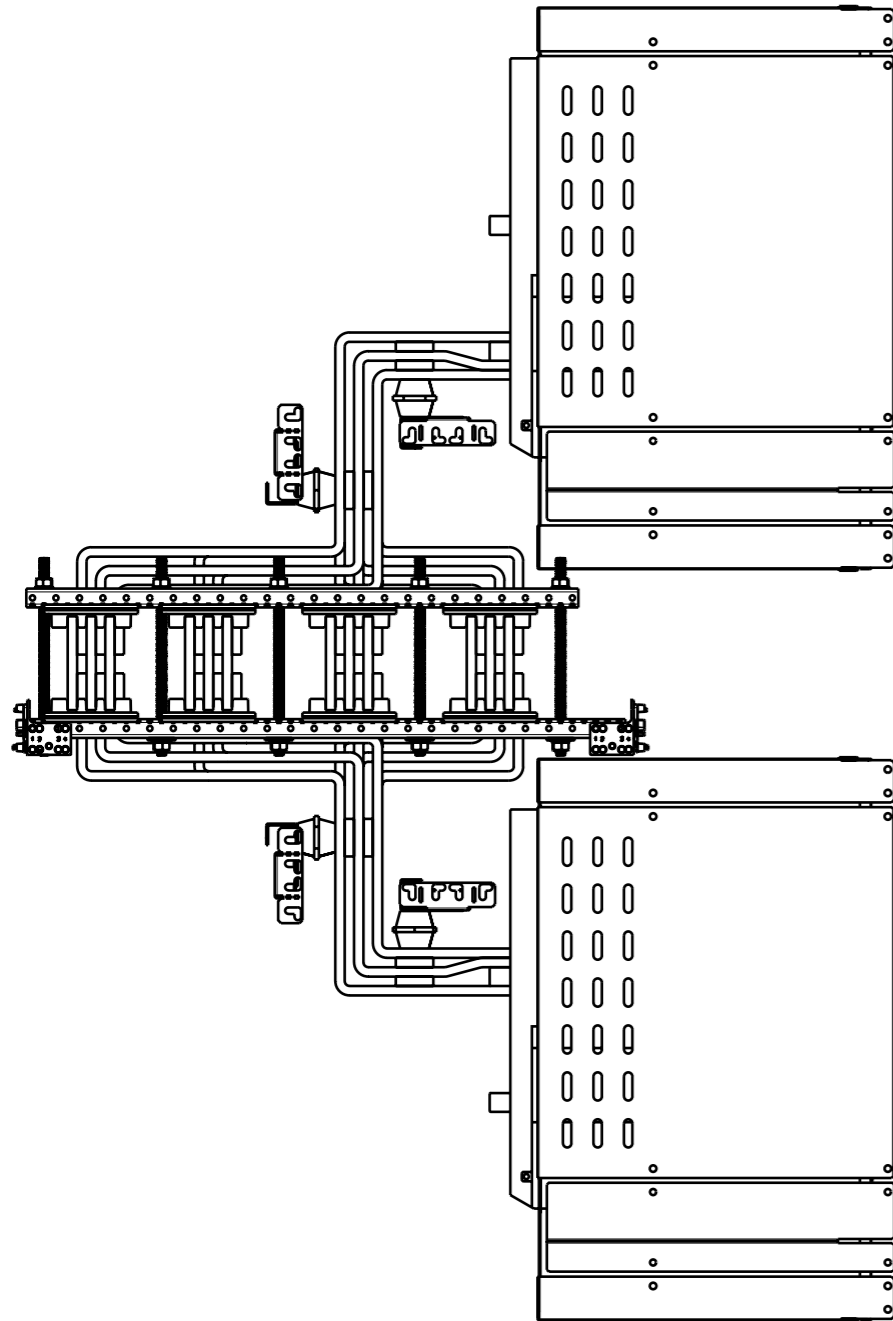
PHASE	POS	A	B	C	D	E
L3	1 L3.1	181.6	343	74.25	122.5	168
	2 L3.2	161.6	323	94.25	122.5	138
	3 L3.3	141.6	303	114.25	122.5	128
L2	1 L2.1	181.6	343	-	-	168
	2 L2.2	161.6	323	-	-	138
	3 L2.3	141.6	303	-	-	128
L1	1 L1.1	181.6	343	114.25	122.5	168
	2 L1.2	161.6	323	94.25	122.5	138
	3 L1.3	141.6	303	74.25	122.5	128
N	1 N.1	181.6	343	114.25	222.5	168
	2 N.2	161.6	323	94.25	222.5	138
	3 N.3	141.6	303	74.25	222.5	128

SCALA SCALE	: 1:6	N° PROGETTO : PROJECT	XXX.XX
DISEGNATORE DESIGNER	:	ABB SACE ADB	
APPROVAZIONE APPROVAL	:	DISEGNO N° /DRAWING N°	
DATA DATE	: xx-xx-xx	8 6 3 8 3 0	
FORMATO FORMED	Formato A3 Formed	DENOMINAZIONE/NAME: E4.2 3200A W (COUPLER COLUMN) CONNECTION BUSBARS 3x100x10xP	

CONNECTION FOR E4.2 3200A WITHDRAWABLE (COUPLER COLUMN)

SPEP P = 900mm
BUSBARS HOLDER PBHB3121 (100mm)

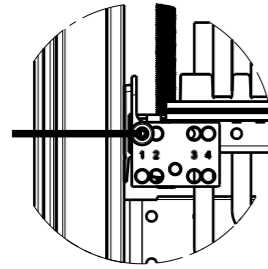
MAIN BUSBAR IP40 / IP41 / IP65 : 3200A (3x100x10)



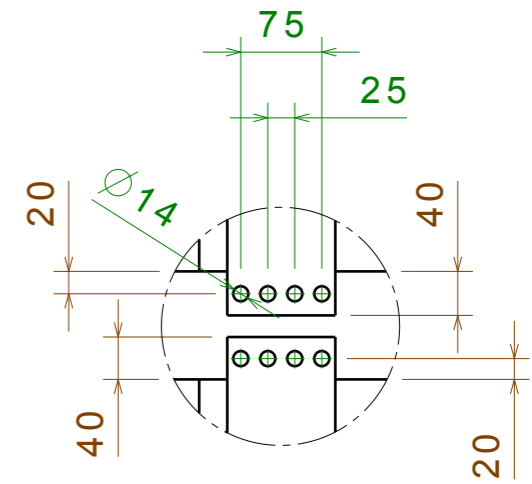
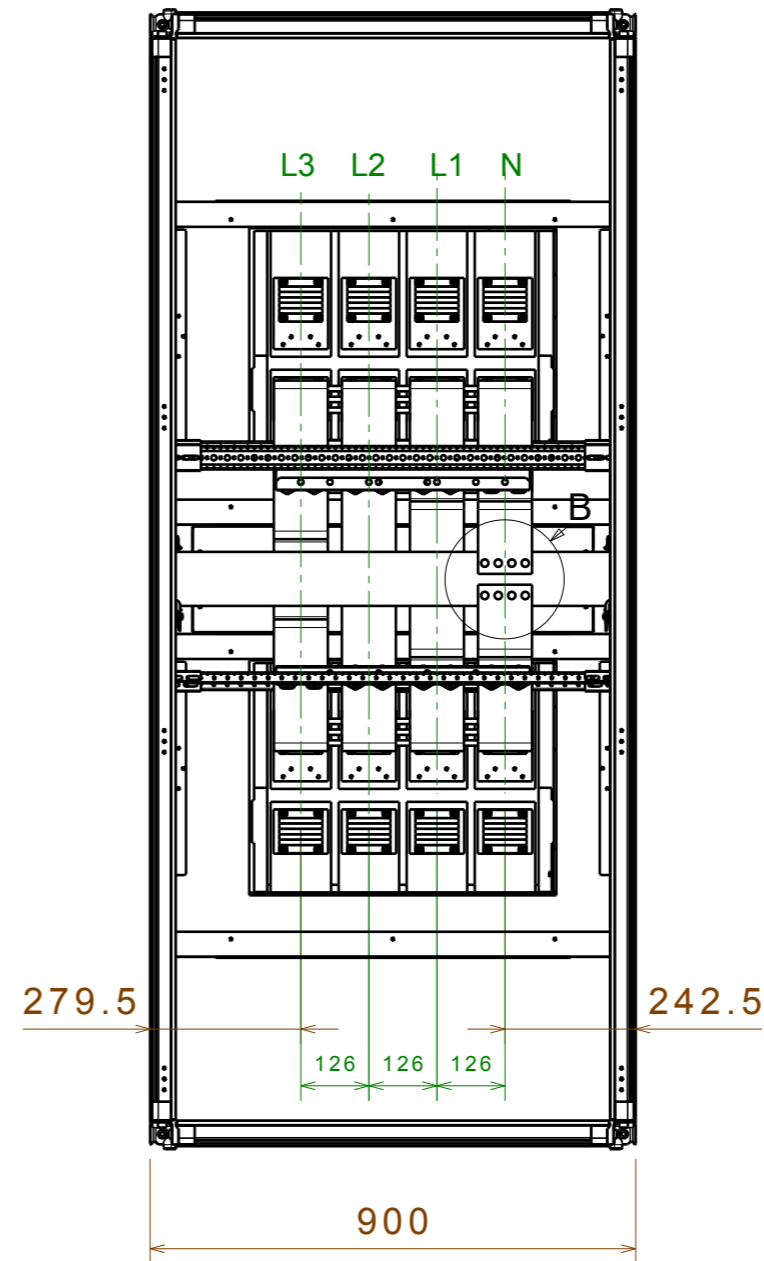
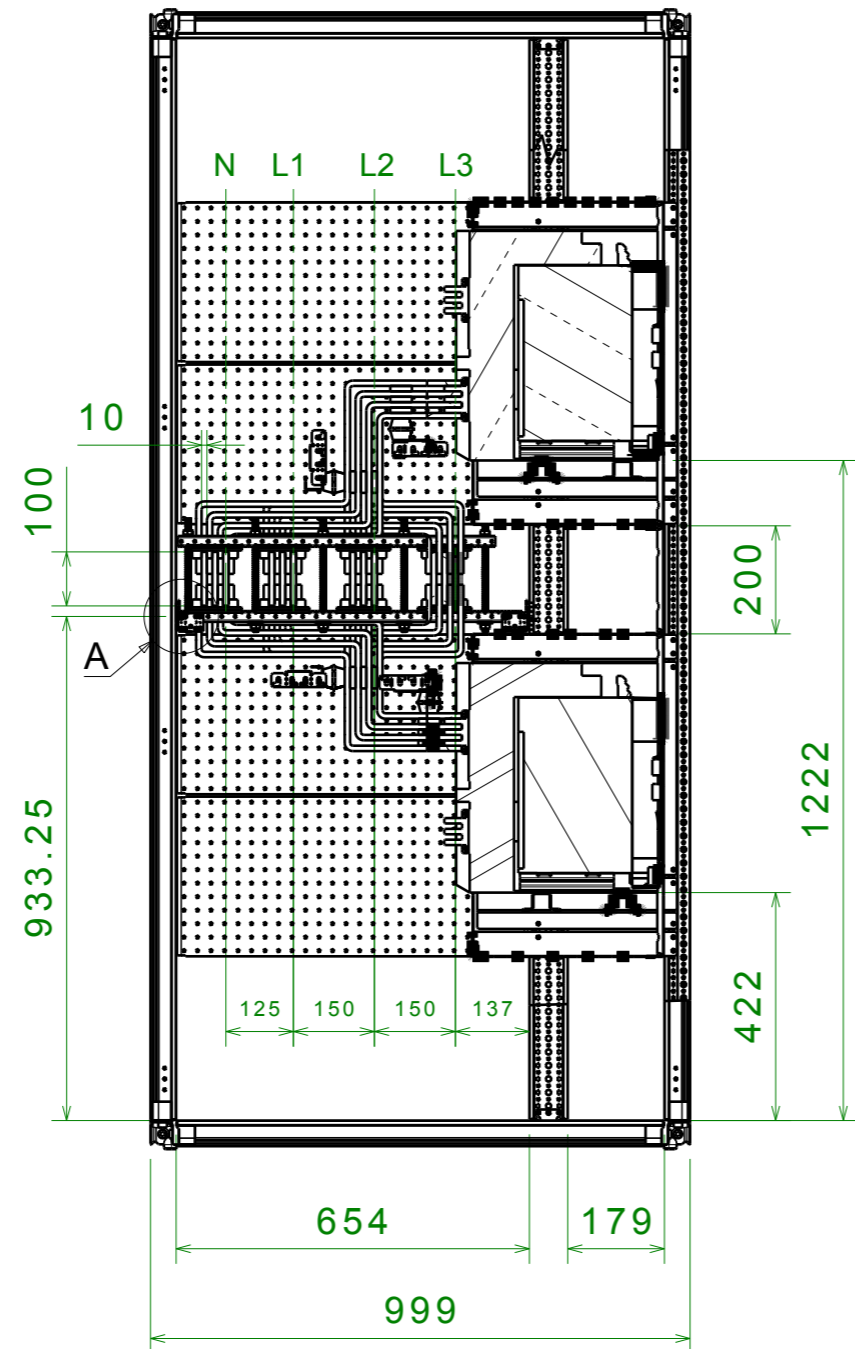
PHASE	POS	A	B	C	D	E
L3	1 L3.1	196.4	343	74.25	160	168
	2 L3.2	176.4	323	94.25	160	148
	3 L3.3	156.4	303	114.25	160	128
L2	1 L2.1	196.4	343	-	-	168
	2 L2.2	176.4	323	-	-	148
	3 L2.3	156.4	303	-	-	128
L1	1 L1.1	196.4	343	114.25	160	168
	2 L1.2	176.4	323	94.25	160	148
	3 L1.3	156.4	303	74.25	160	128
N	1 N.1	196.4	343	114.25	285	168
	2 N.2	176.4	323	94.25	285	148
	3 N.3	156.4	303	74.25	285	128

SCALA SCALE	: 1:6	N° PROGETTO : PROJECT	XXX.XX
DISEGNATORE DESIGNER	:	ABB SACE ADB	
APPROVAZIONE APPROVAL	:	DISEGNO N° /DRAWING N°	
DATA DATE	: XX-XX-XX	E4.2 3200A WITHDRAWABLE (COUPLER COLUMN) CONNECTION BUSBARS 3x100x10XP	
FORMATO FORMED	Formato A3 Formed	8 6 3 8 2 7	

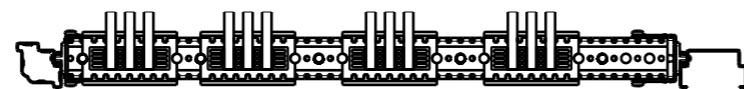
ASSEMBLY DRAWING E4.2 4000A W (COUPLER COLUMN) MAIN BUSBARS 3x100x10xP



Detail A



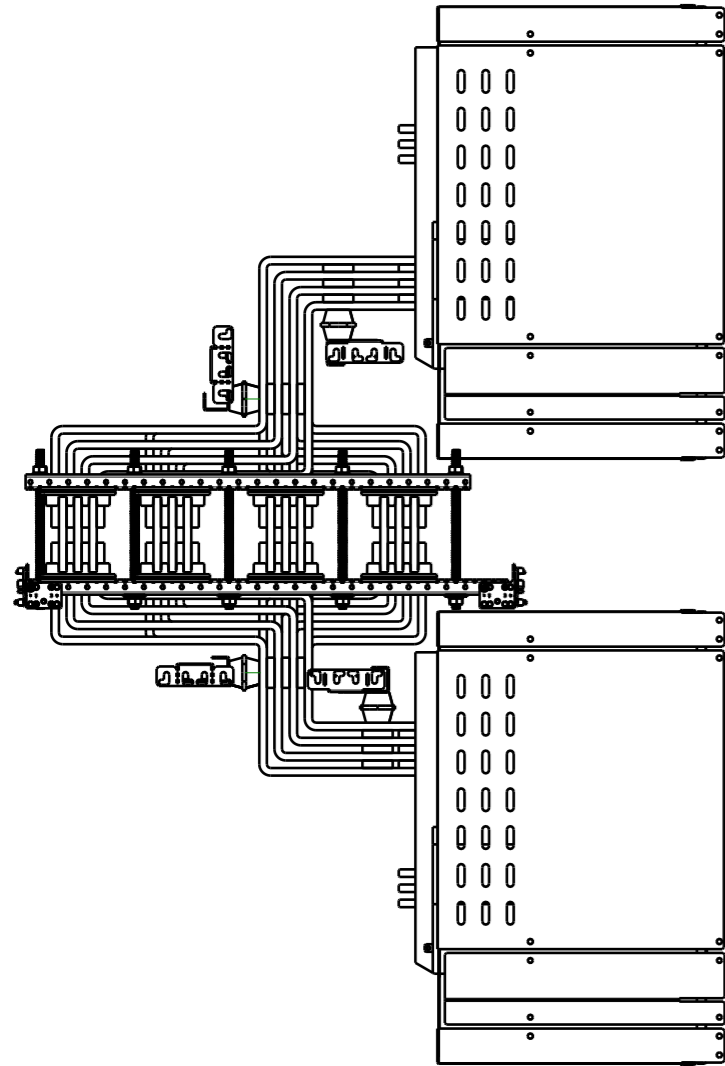
Detail B



CONNECTION BUSBARS 4x100x10xP

AGG. DI SEGNO	SCALA SCALE	: 1:14	N° PROGETTO : PROJECT	XXX.XX
MODIFICA	DISEGNATORE DESIGNER	:	ABB SACE ADB	
	APPROVAZIONE APPROVAL	:		
DATA	DATA DATE	: xx-xx-xx	DENOMINAZIONE/NAME: E4.2 4000A WITHDRAWABLE (COUPLER COLUMN) CONNECTION BUSBARS 4x100x10xP	
		Formato A3 Formed	DISEGNO N° /DRAWING N° 8 6 3 8 2 1	

CONNECTION BUSBARS FOR BREAKER UP



	B	E	F
L3.1	358	188	112
L3.2	338	168	112
L3.3	318	148	112
L3.4	298	128	112
L2.1	358	188	112
L2.2	338	168	112
L2.3	318	148	112
L2.4	298	128	112
L1.1	358	188	112
L1.2	338	168	112
L1.3	318	148	112
L1.4	298	128	112
N.1	358	188	112
N.2	338	168	112
N.3	318	148	112
N.4	298	128	112

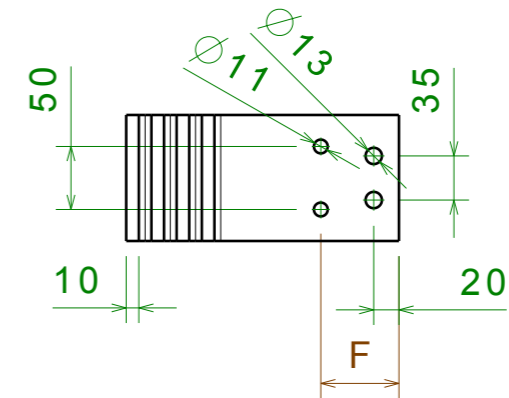
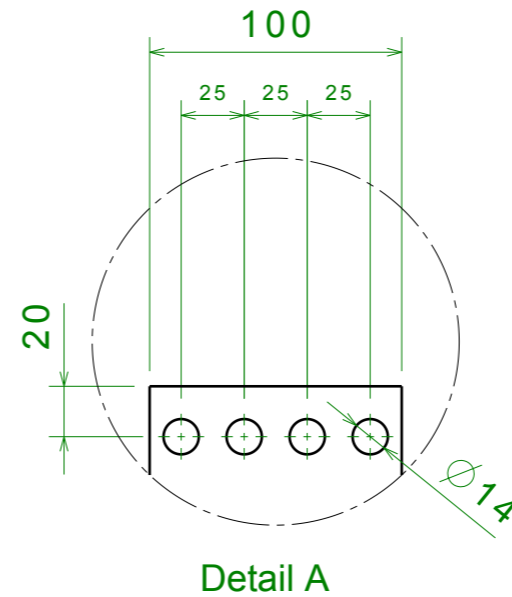
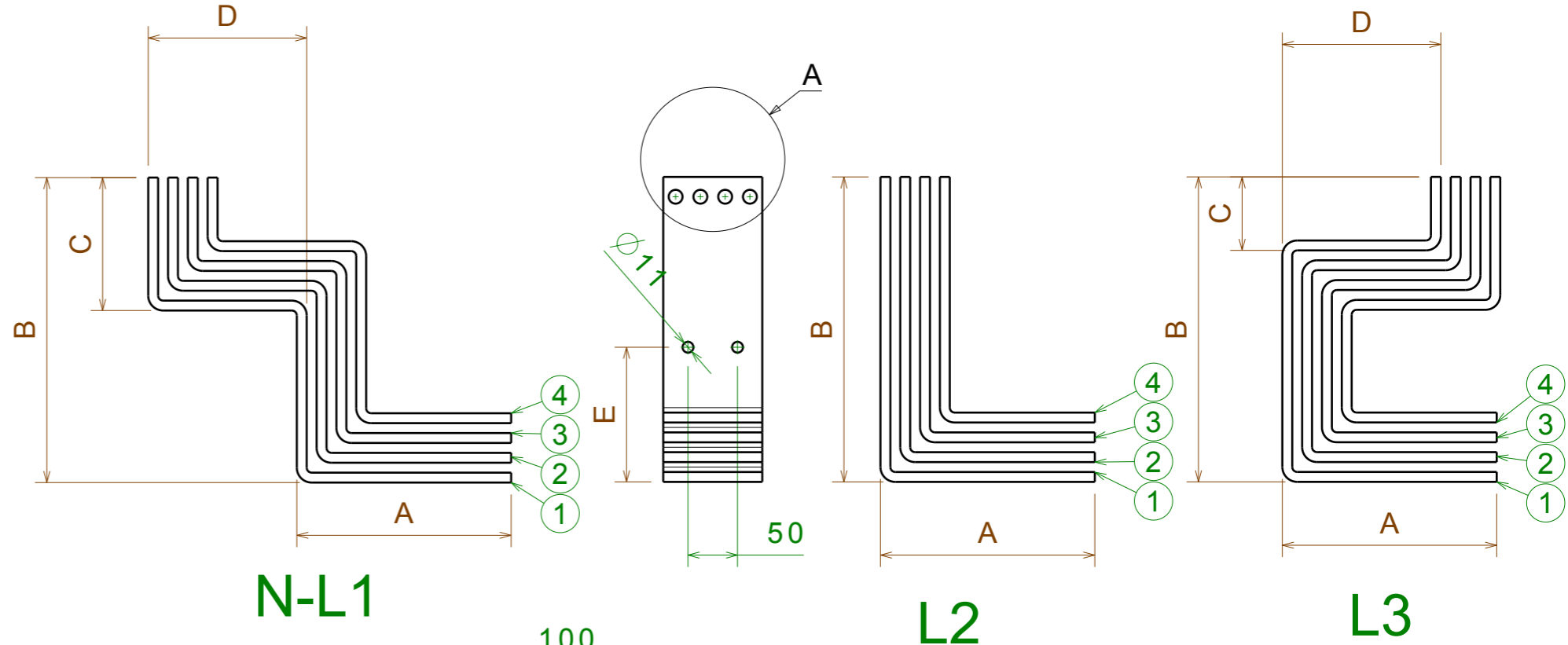
	B	E	F
L3.1	308	136	62
L3.2	288	116	62
L3.3	268	96	62
L3.4	248	76	62
L2.1	308	136	62
L2.2	288	116	62
L2.3	268	96	62
L2.4	248	76	62
L1.1	308	136	62
L1.2	288	116	62
L1.3	268	96	62
L1.4	248	76	62
N.1	308	136	62
N.2	288	116	62
N.3	268	96	62
N.4	248	76	62

CONNECTION BUSBARS FOR BREAKER DOWN

PHASE	POS	A	C	D	
L3	1	L3.1	216.4	74.25	160
	2	L3.2	196.4	94.25	160
	3	L3.3	176.4	114.25	160
	4	L3.4	156.4	134.25	160
L2	1	L2.1	216.4	-	-
	2	L2.2	196.4	-	-
	3	L2.3	176.4	-	-
	4	L2.4	156.4	-	-
L1	1	L1.1	216.4	134.25	160
	2	L1.2	196.4	114.25	160
	3	L1.3	176.4	94.25	160
	4	L1.4	156.4	74.25	160
N	1	N.1	216.4	134.25	285
	2	N.2	196.4	114.25	285
	3	N.3	176.4	94.25	285
	4	N.4	156.4	74.25	285

CONNECTION FOR E4.2 4000A WITHDRAWABLE (COUPLER COLUMN)

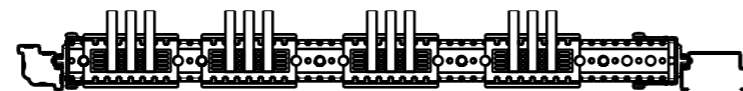
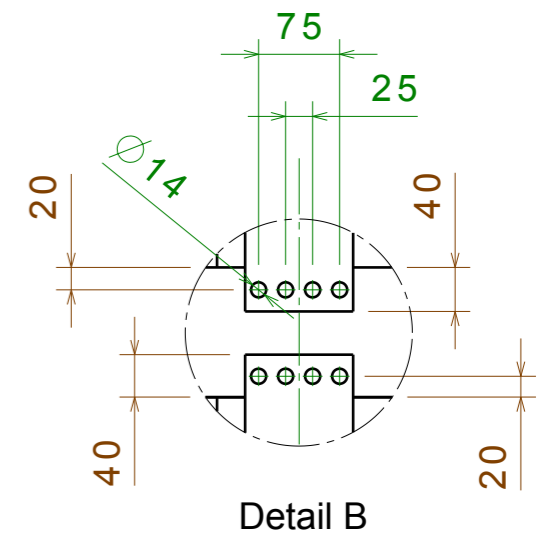
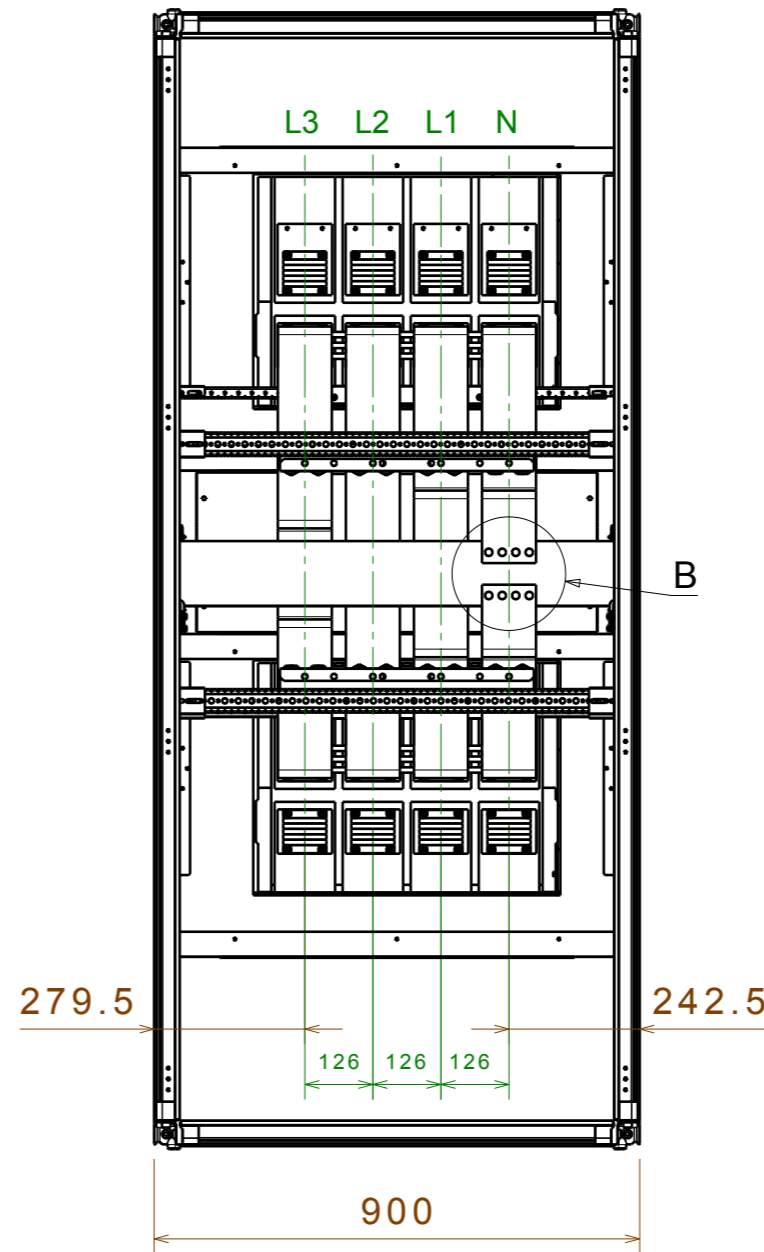
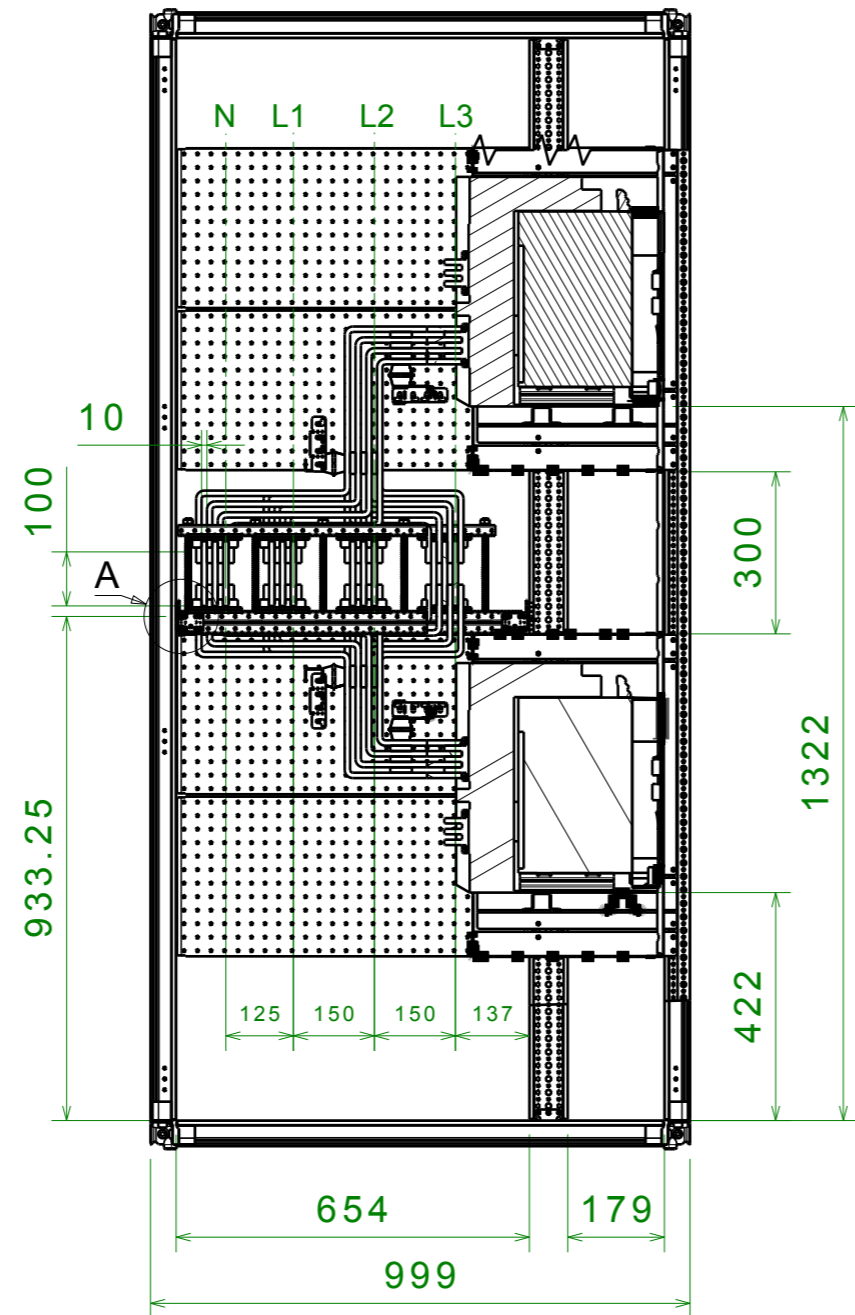
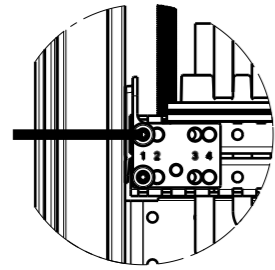
SPEP P=900mm
 BUSBARS HOLDER PBHB3121 (100mm)
 MAIN BUSBARS IP30 / IP31 : 4000A (3x100x10)




SCALA SCALE	: 1:6	N° PROGETTO : PROJECT	XXX.XX
DISEGNATORE DESIGNER	:		ABB SACE ADB
APPROVAZIONE APPROVAL	:	DISEGNO N° /DRAWING N°	
DATA DATE	: xx-xx-xx	E4.2 4000A WITHDRAWABLE (COUPLER COLUMN) CONNECTION BUSBARS 4x100x10xP	
FORMATO FORMED	Formato A3 Formed	8 6 3 8 2 3	

ASSEMBLY DRAWING E4.2 4000A W (COUPLER COLUMN) MAIN BUSBARS 3x120x10xP

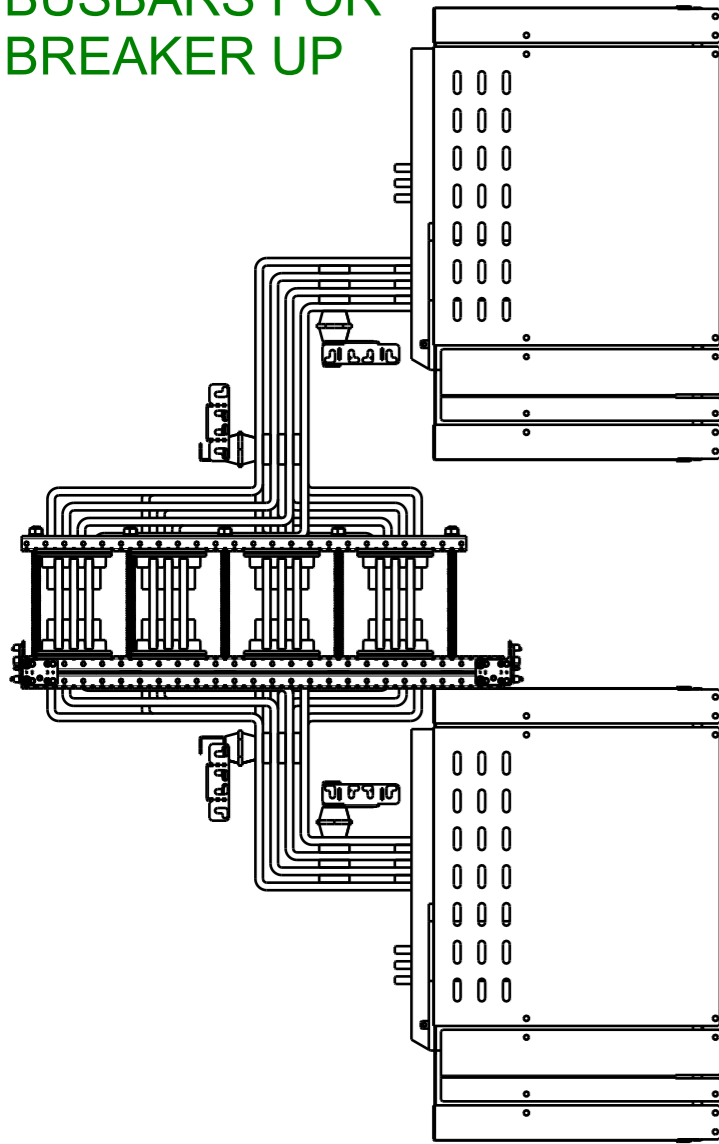
Detail A



CONNECTION BUSBARS 4x100x10xP

AGG. DI SEGNO	SCALA SCALE	: 1:14	N° PROGETTO : PROJECT	XXX.XX
MODIFICA	DISEGNATORE DESIGNER	:	ABB ABB SACE ADB DENOMINAZIONE/NAME: E4.2 4000A WITHDRAWABLE (COUPLER COLUMN) CONNECTION BUSBARS 4x100x10xP	
DATA	APPROVAZIONE : APPROVAL	:		
	DATA DATE	: xx-xx-xx	DISEGNO N° /DRAWING N°	
	 Formato A3 Formed		8 6 3 8 2 2	

CONNECTION BUSBARS FOR BREAKER UP



	B	E
L3.1	438	253
L3.2	418	233
L3.3	398	213
L3.4	378	193
L2.1	438	253
L2.2	418	233
L2.3	398	213
L2.4	378	193
L1.1	438	253
L1.2	418	233
L1.3	398	213
L1.4	378	193
N.1	438	253
N.2	418	233
N.3	398	213
N.4	378	193

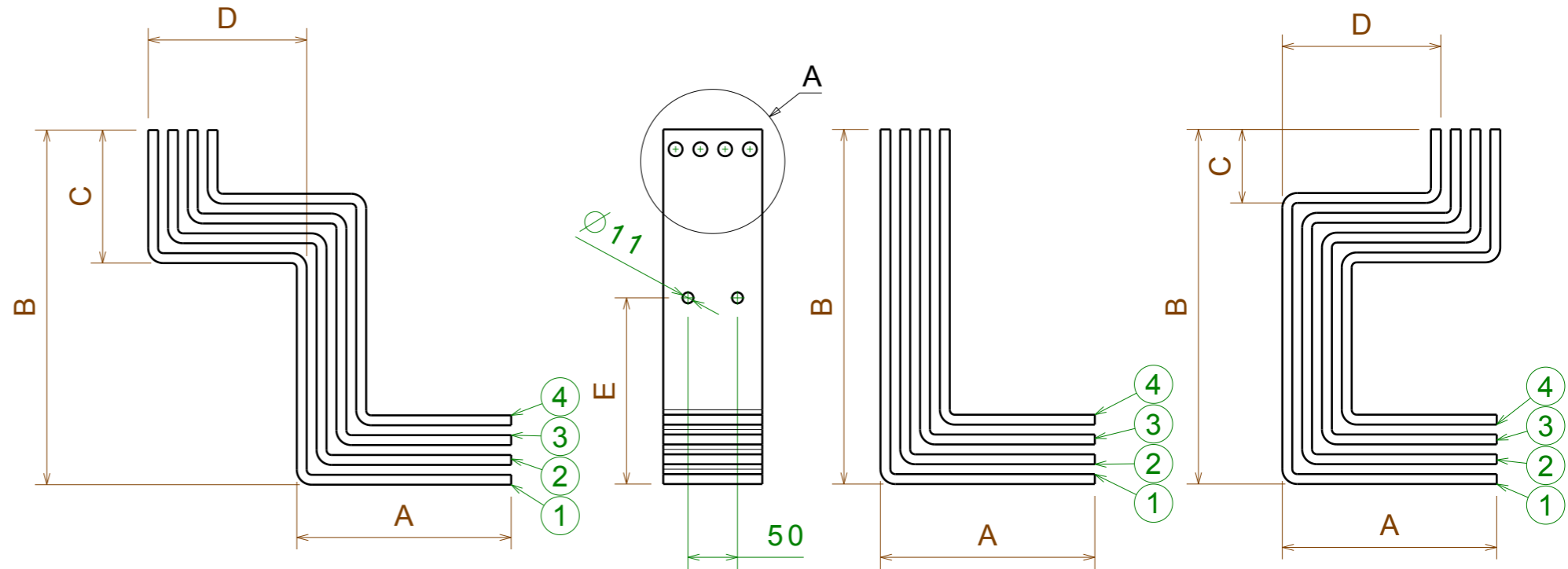
	B	E
L3.1	358	188
L3.2	338	168
L3.3	318	148
L3.4	298	128
L2.1	358	188
L2.2	338	168
L2.3	318	148
L2.4	298	128
L1.1	358	188
L1.2	338	168
L1.3	318	148
L1.4	298	128
N.1	358	188
N.2	338	168
N.3	318	148
N.4	298	128

CONNECTION BUSBARS FOR BREAKER DOWN

PHASE	POS	A	C	D	
L3	1	L3.1	216.4	74.25	160
	2	L3.2	196.4	94.25	160
	3	L3.3	176.4	114.25	160
	4	L3.4	154.4	134.25	160
L2	1	L2.1	216.4	-	-
	2	L2.2	196.4	-	-
	3	L2.3	176.4	-	-
	4	L2.4	154.4	-	-
L1	1	L1.1	216.4	134.25	160
	2	L1.2	196.4	114.25	160
	3	L1.3	176.4	94.25	160
	4	L1.4	154.4	74.25	160
N	1	N.1	216.4	134.25	285
	2	N.2	196.4	114.25	285
	3	N.3	176.4	94.25	285
	4	N.4	154.4	74.25	285

CONNECTION FOR E4.2 4000A WITHDRAWABLE (COUPLER COLUMN)

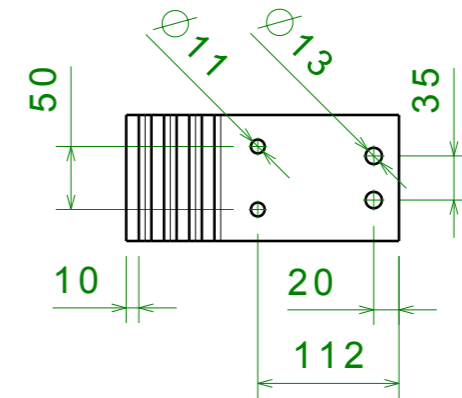
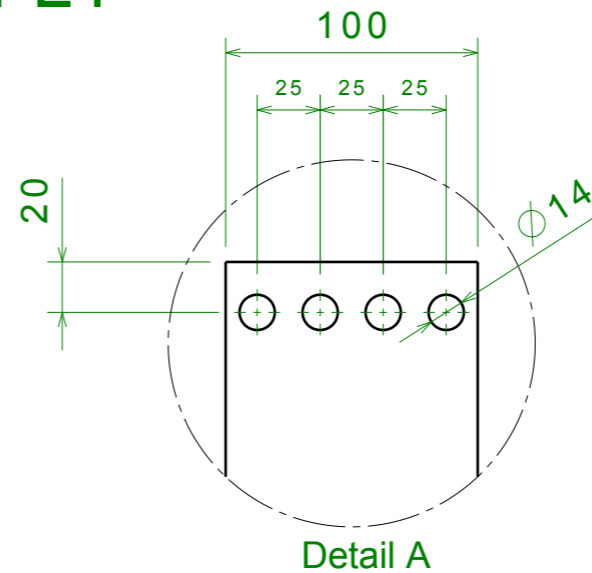
SPEP P=900mm
 BUSBARS HOLDER PBHB3121 (100mm)
 MAIN BUSBARS IP40 / IP41 / IP65 : 4000A (3x120x10)



N-L1

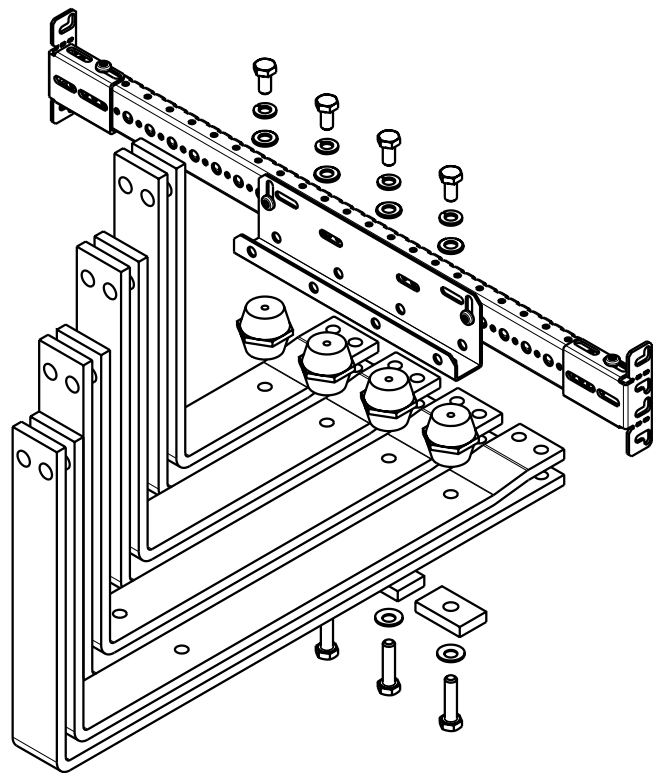
L2

L3



DATA	MODIFICA	AGG. DI SEGNO	SCALA	SCALE	N° PROGETTO	PROJECT	DENOMINAZIONE/NAME	DISEGNO N°/DRAWING N°
			SCALA	SCALE	XXX.XX	PROJECT	E4.2 4000A	8 6 3 8 2 4
			DISEGNATORE	DESIGNER			WITHDRAWABLE (COUPLER COLUMN)	
			APPROVAZIONE	APPROVAL			CONNECTION BUSBARS 4x100x10xP	
			DATA	DATE				

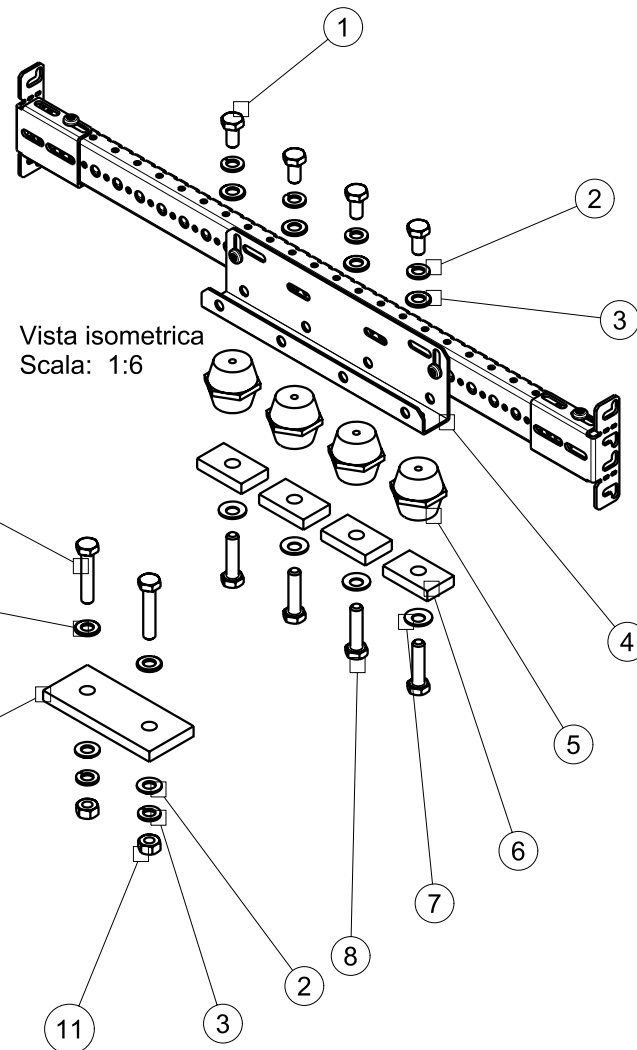
HOLDER FOR Icw 15KA



Vista isometrica
Scala: 1:6

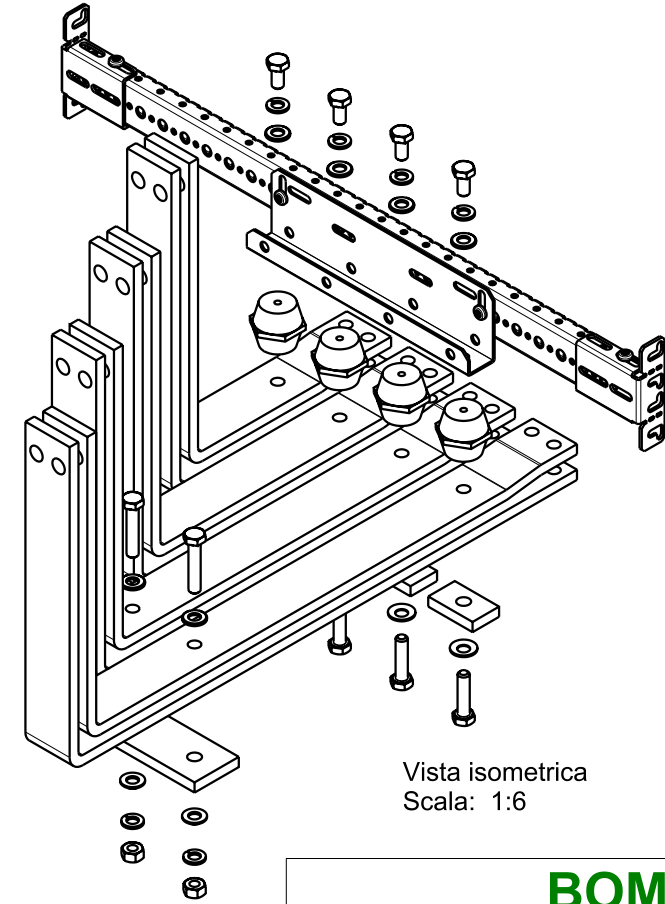
BOM

POS	DESCRIPTION
1	HEX CAP SCREWS M10x16 - 8.8 (VITE TESTA ESAGONALE M10x16 - 8.8)
2	FLAT WASHER M10 (RONDELLA PIANA M10)
3	SPRING LOCK WASHER M10 (ROSETTA ELASTICA GROWER M10)
4	BRACKET FOR INSULATOR (STAFFA ISOLATORI)
5	INSULATOR H40 M10 (ISOLATORI H40 M10)
6	CUPPER SPACER H10mm (SPESSORE IN RAME H10mm)
7	CONICAL SPRING WASHER M10 (ROSETTE ELASTICHE CONICHE M10)
8	HEX CAP SCREWS M10x__ - 8.8 (VITE TESTA ESAGONALE M10x__ - 8.8)



Vista isometrica
Scala: 1:6

HOLDER FOR Icw 25-36KA



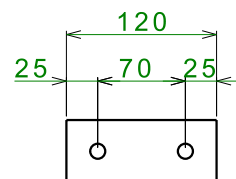
Vista isometrica
Scala: 1:6

BOM

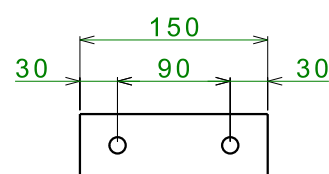
N° PART	DESCRIPTION
1	HEX CAP SCREWS M10x16 - 8.8 (VITE TESTA ESAGONALE M10x16 - 8.8)
2	FLAT WASHER M10 (RONDELLA PIANA M10)
3	SPRING LOCK WASHER M10 (ROSETTA ELASTICA GROWER M10)
4	BRACKET FOR INSULATOR (STAFFA ISOLATORI)
5	INSULATOR H40 M10 (ISOLATORI H40 M10)
6	CUPPER SPACER H10mm (SPESSORE IN RAME H10mm)
7	CONICAL SPRING WASHER M10 (ROSETTE ELASTICHE CONICHE M10)
8	HEX CAP SCREWS M10x__ - 8.8 (VITE TESTA ESAGONALE M10x__ - 8.8)
9	GPO3 PROFILE
10	HEX CAP SCREWS M10x__ - 8.8 (VITE TESTA ESAGONALE M10x__ - 8.8)
11	NUT M10 - (DADO M12)

GPO3 PROFILE

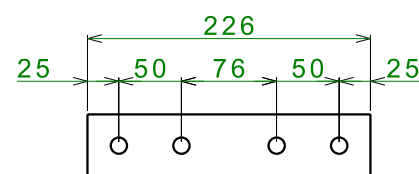
E1.2 2 PHASE



E2.2 2 PHASE



E4.2 2 PHASE



801

FIG.

DIMENSIONI / DIMENSION

PESO / WEIGHT

mm

UNITA' DI MISURA / UNITS OF MEASUREMENT

SCALA / SCALE	:	MAT. / MAT. :
DISegnato DA / DRAW BY	:	TRATT. / TREAT :
APPROVAZIONE / APPROVAL	:	PROGETTO N° / PROJECT N° : 142.00
DATA / DATE	: 14.04.2016	ABB ABB SACE ADB
Formato / Format	A3	DESCRIZIONE / DESCRIPTION : ANCORAGGIO BARRE A "L" "L" TYPE CONNECTIONS SUPPORT

DISEGNO N° / DRAWING N°

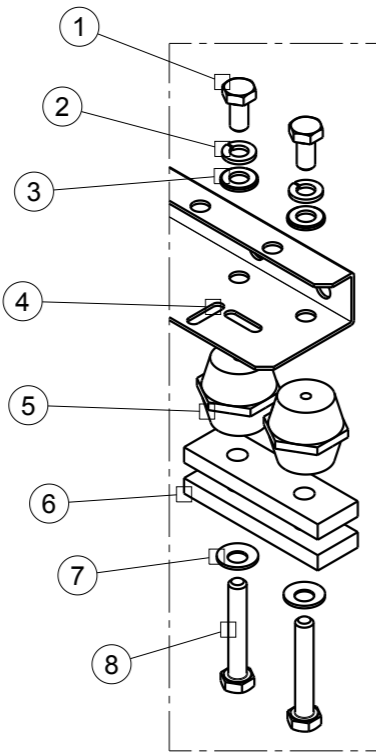
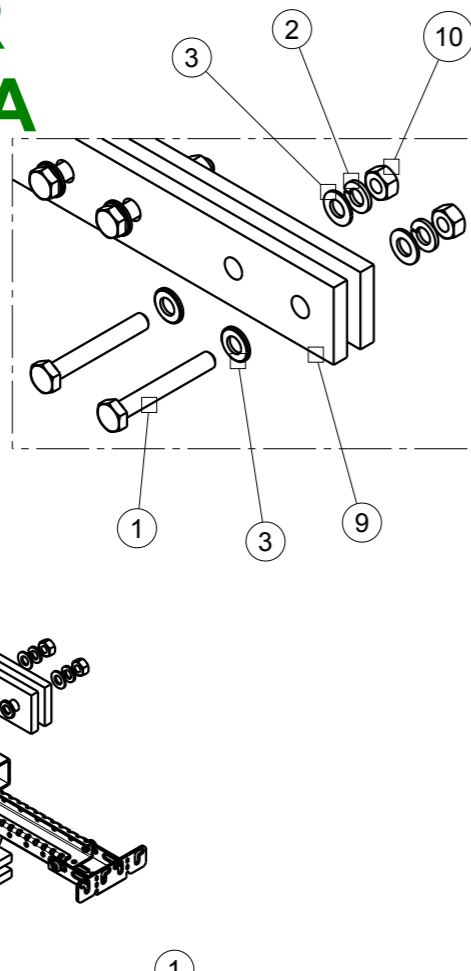
863876

HOLDER FOR 36<I_{cw}<=50KA

Vista isometrica
Scala: 1:8

BOM 36<I_{cw}<=50KA

POS	DESCRIPTION
1	HEX CAP SCREWS M10x16 - 8.8 (VITE TESTA ESAGONALE M10x16 - 8.8)
2	FLAT WASHER M10 (RONDELLA PIANA M10)
3	SPRING LOCK WASHER M10 (ROSETTA ELASTICA GROWER M10)
4	BRACKET FOR INSULATOR (STAFFA ISOLATORI)
5	INSULATOR H40 M10 (ISOLATORI H40 M10)
6	CUPPER SPACER H10mm (SPESSORE IN RAME H10mm)
7	CONICAL SPRING WASHER M10 (ROSETTE ELASTICHE CONICHE M10)
8	HEX CAP SCREWS M10x__ - 8.8 (VITE TESTA ESAGONALE M10x__ - 8.8)
9	GPO3 PROFILE
10	NUT M10 - DADO M10

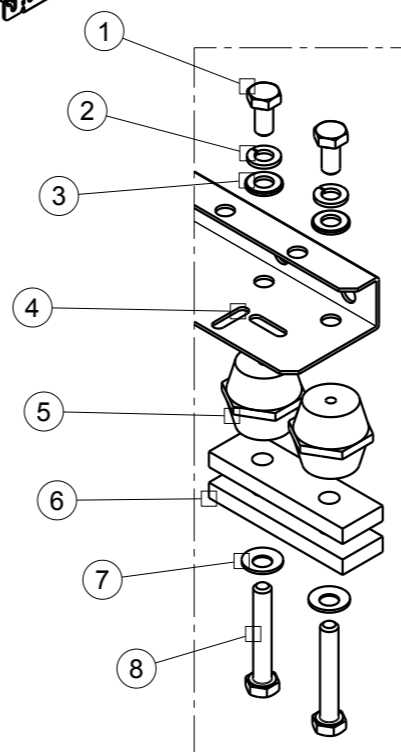
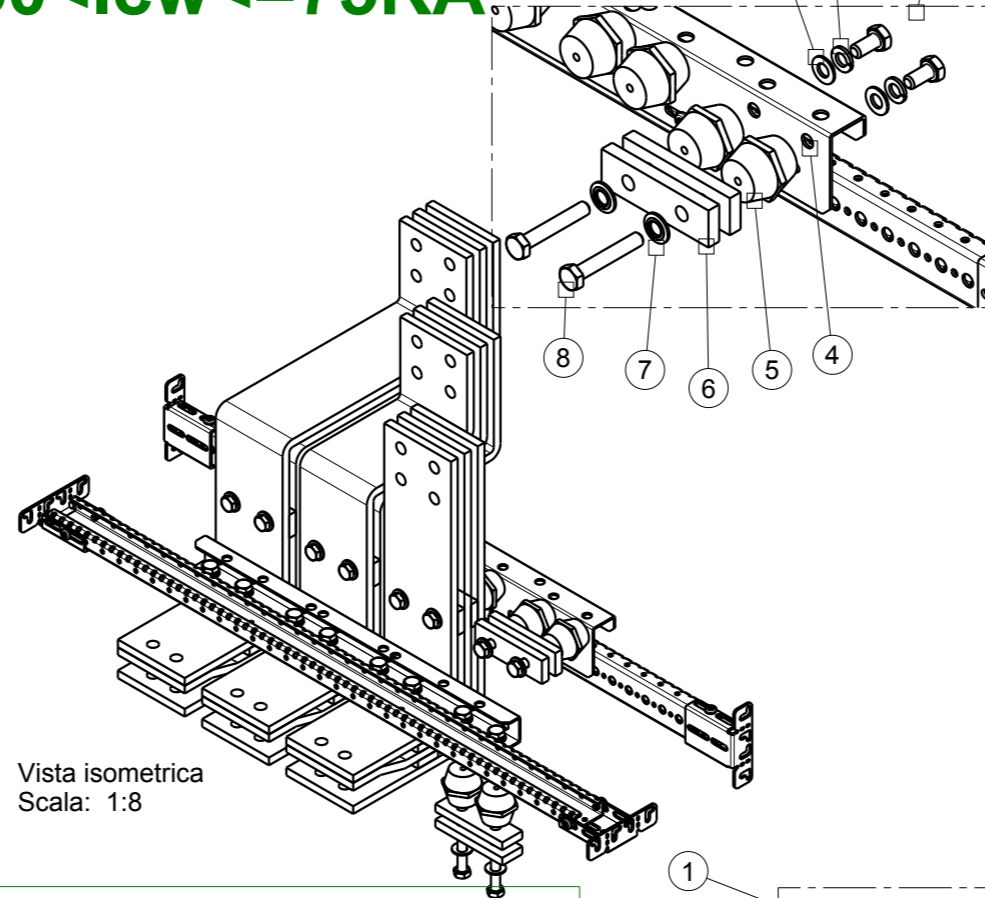


HOLDER FOR 50<I_{cw}<=75KA

Vista isometrica
Scala: 1:8

BOM 50<I_{cw}<=75KA

POS	DESCRIPTION
1	HEX CAP SCREWS M10x16 - 8.8 (VITE TESTA ESAGONALE M10x16 - 8.8)
2	FLAT WASHER M10 (RONDELLA PIANA M10)
3	SPRING LOCK WASHER M10 (ROSETTA ELASTICA GROWER M10)
4	BRACKET FOR INSULATOR (STAFFA ISOLATORI)
5	INSULATOR H40 M10 (ISOLATORI H40 M10)
6	CUPPER SPACER H10mm (SPESSORE IN RAME H10mm)
7	CONICAL SPRING WASHER M10 (ROSETTE ELASTICHE CONICHE M10)
8	HEX CAP SCREWS M10x__ - 8.8 (VITE TESTA ESAGONALE M10x__ - 8.8)
9	GPO3 PROFILE

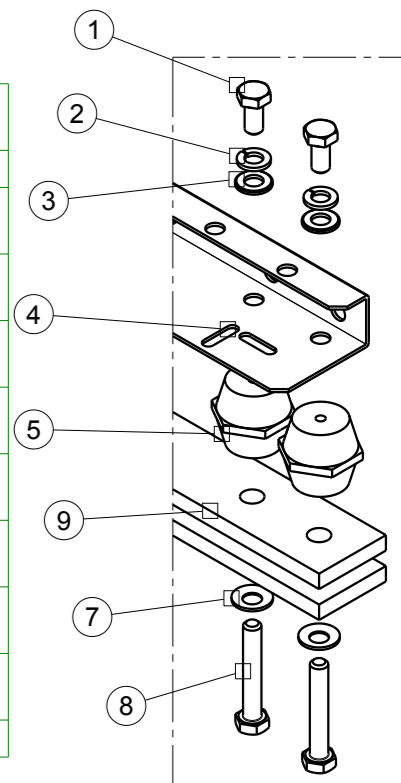
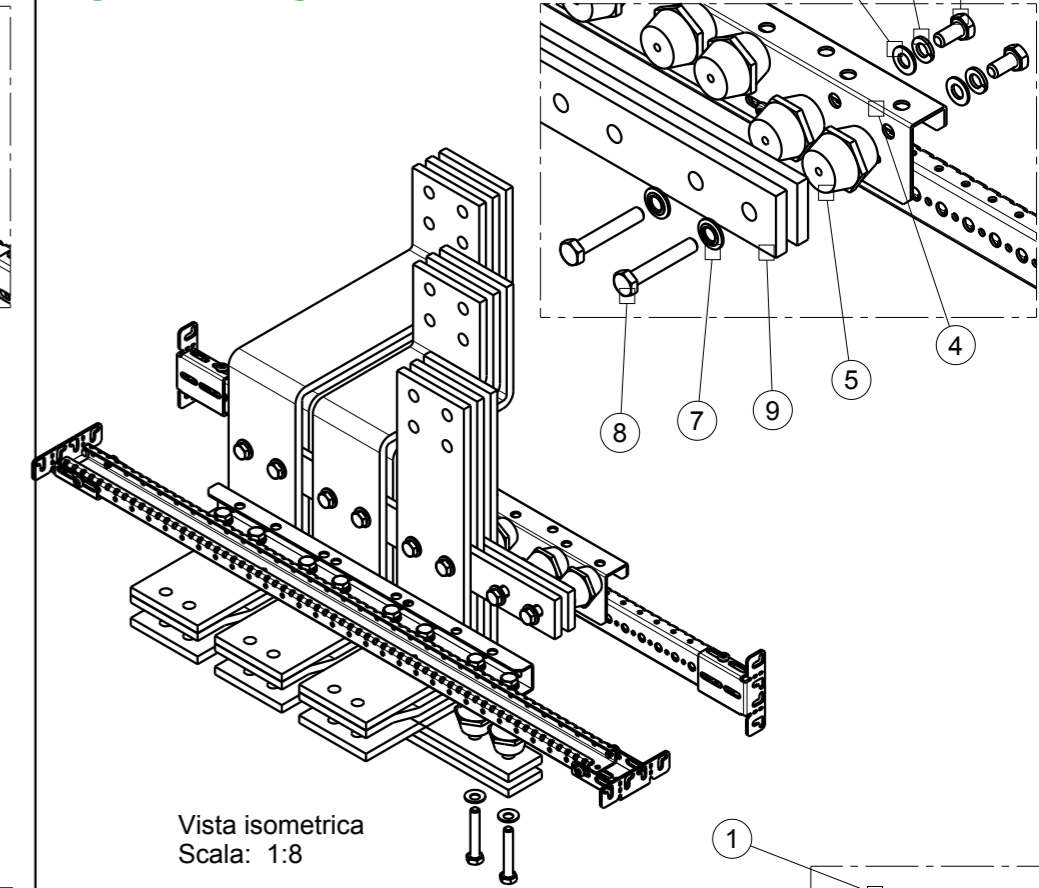


HOLDER FOR I_{cw} >75KA

Vista isometrica
Scala: 1:8

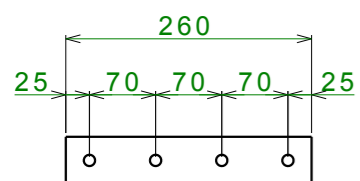
BOM I_{cw}>75KA

POS	DESCRIPTION
1	HEX CAP SCREWS M10x16 - 8.8 (VITE TESTA ESAGONALE M10x16 - 8.8)
2	FLAT WASHER M10 (RONDELLA PIANA M10)
3	SPRING LOCK WASHER M10 (ROSETTA ELASTICA GROWER M10)
4	BRACKET FOR INSULATOR (STAFFA ISOLATORI)
5	INSULATOR H40 M10 (ISOLATORI H40 M10)
6	CUPPER SPACER H10mm (SPESSORE IN RAME H10mm)
7	CONICAL SPRING WASHER M10 (ROSETTE ELASTICHE CONICHE M10)
8	HEX CAP SCREWS M10x__ - 8.8 (VITE TESTA ESAGONALE M10x__ - 8.8)
9	GPO3 PROFILE

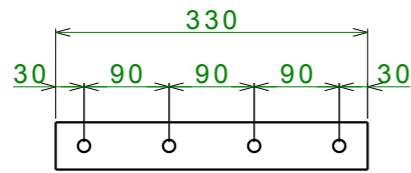


GPO3 PROFILE

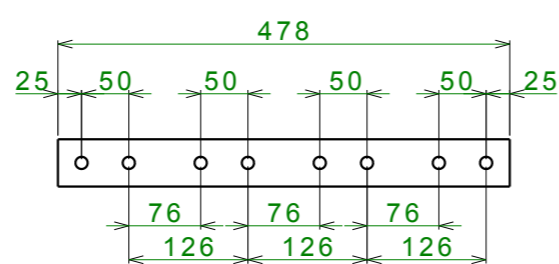
E1.2 4P



E2.2 4P



E4.2 4P



801

FIG.

DIMENSIONI / DIMENSION

PESO / WEIGHT

mm

UNITA' DI MISURA
UNITS OF MEASUREMENT

AGG. DI SEGNO DISTR. MOD.	SCALA SCALE	MAT. / MAT. :
VERSIONE VERSION	DISEGNATO DA DRAW BY	TRATT. / TREAT :
DATA DATE	APPROVAZIONE APPROVAL	PROGETTO N° : PROJECT N° : 142.00
	Formato Format A3	ABB ABB SACE ADB
		DESCRIZIONE / DESCRIPTION: DIFFERENTI TIPI DI ANCORAGGIO DIFFERENT TYPES OF SUPPORT

DISEGNO N° / DRAWING N°

863877