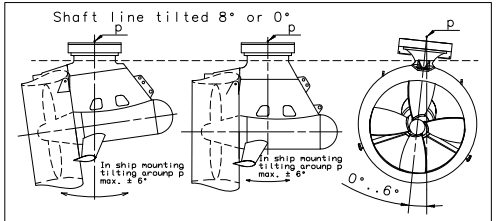
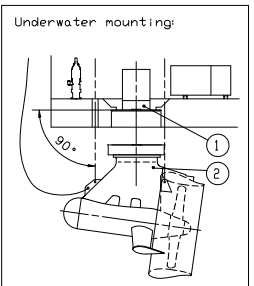
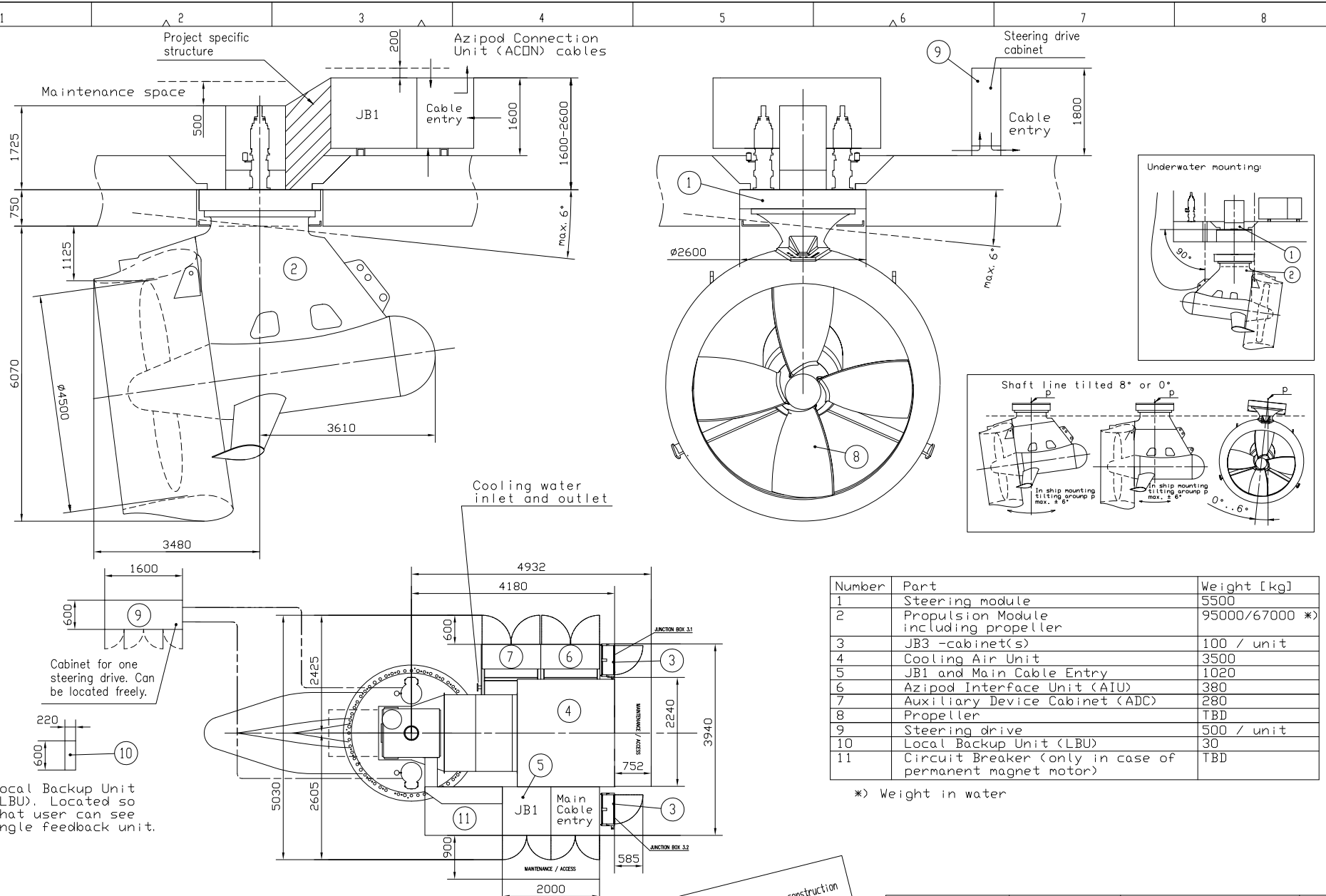


We reserve all rights in this document and in the information contained herein. This document and the information contained herein may be used for any purpose without the written consent of ABB Power and Automation.

Symbols for roughness according to ISO 1302. RMA 421

General tolerance for linear and angular dimensions and general tolerance for surface texture according to ISO 1101. RMA 421. DIN 15201-1. DIN 15201-2.



Number	Part	Weight [kg]
1	Steering module	5500
2	Propulsion Module including propeller	95000/67000 *)
3	JB3 -cabinet(s)	100 / unit
4	Cooling Air Unit	3500
5	JB1 and Main Cable Entry	1020
6	Azipod Interface Unit (AIU)	380
7	Auxiliary Device Cabinet (ADC)	280
8	Propeller	TBD
9	Steering drive	500 / unit
10	Local Backup Unit (LBU)	30
11	Circuit Breaker (only in case of permanent magnet motor)	TBD

\*) Weight in water

Note! Design not to be mirrored to PS/STB. Location of Azipod Interface Unit and Auxiliary Device Cabinet can be located freely inside the Azipod room. Cabling between cabinets is part of shipyard's scope. Presented layout is a suggestion.

**PRELIMINARY**  
 Typical, not to be used for construction  
 Mounting dimensions certified  
 ABB Marine

Prepared 2014-10-28 Lahtinen, Lasse	Separate part list with separate No. <input type="checkbox"/>	Title MAIN DIMENSIONS	Scale 1:50
Reviewed	Responsible department		Language EN
Approved	Original dep.		Mounting Size A2
Distribution	Functional code	Order No.	Weight 0.000
			Type AZIPOD DZ1600-R2300
			Document No. 3AFV3328643
ABB BAU Marine & Turbocharging, Helsinki			Revision Sheet B