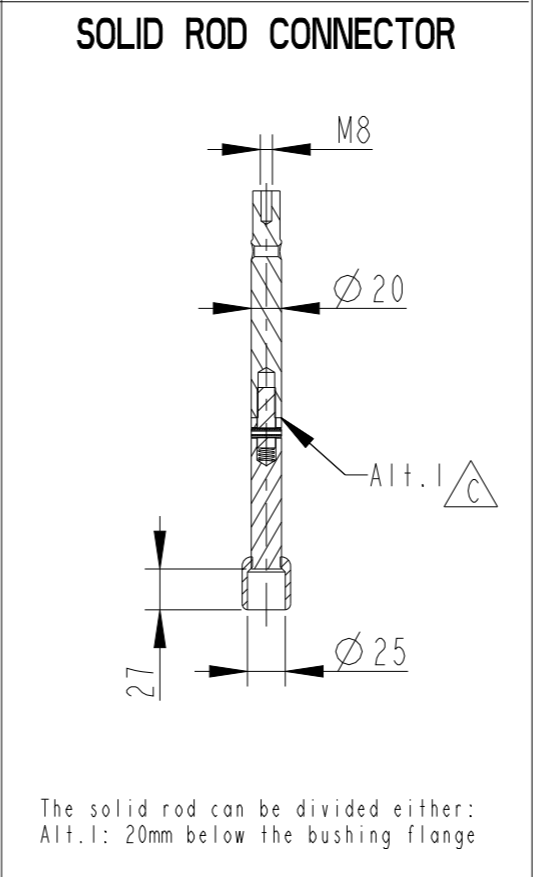
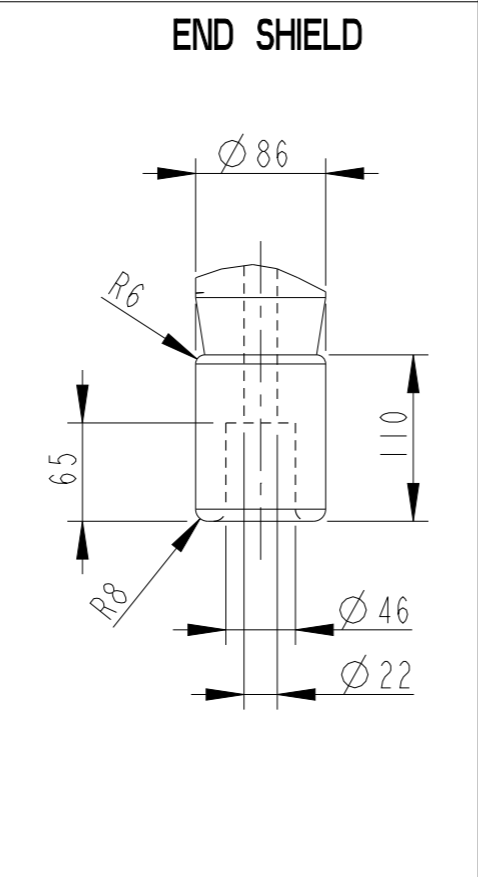
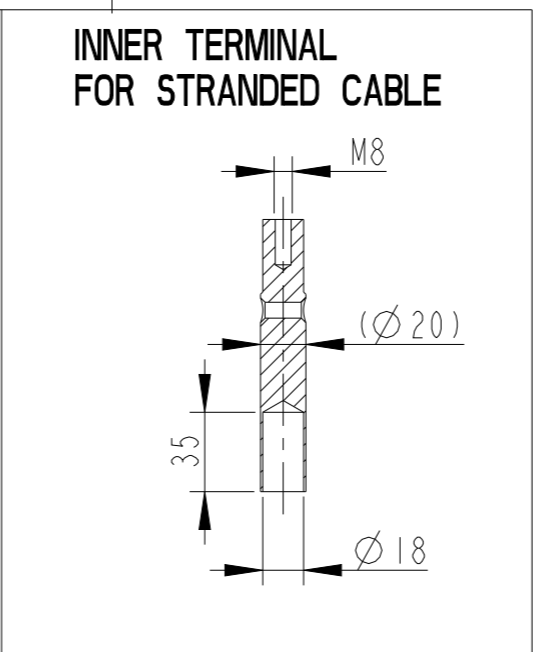
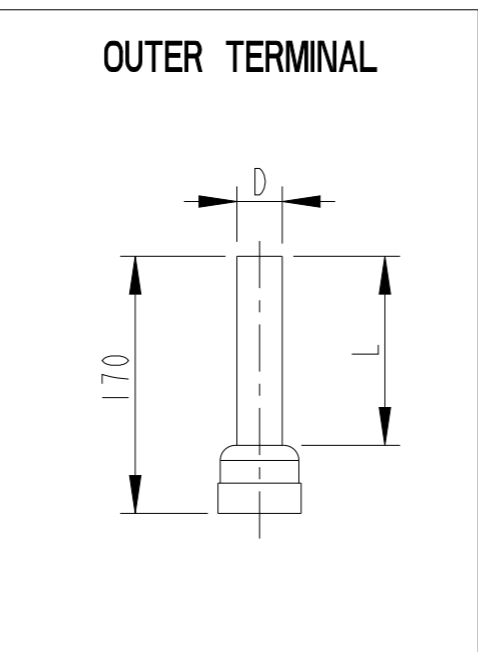
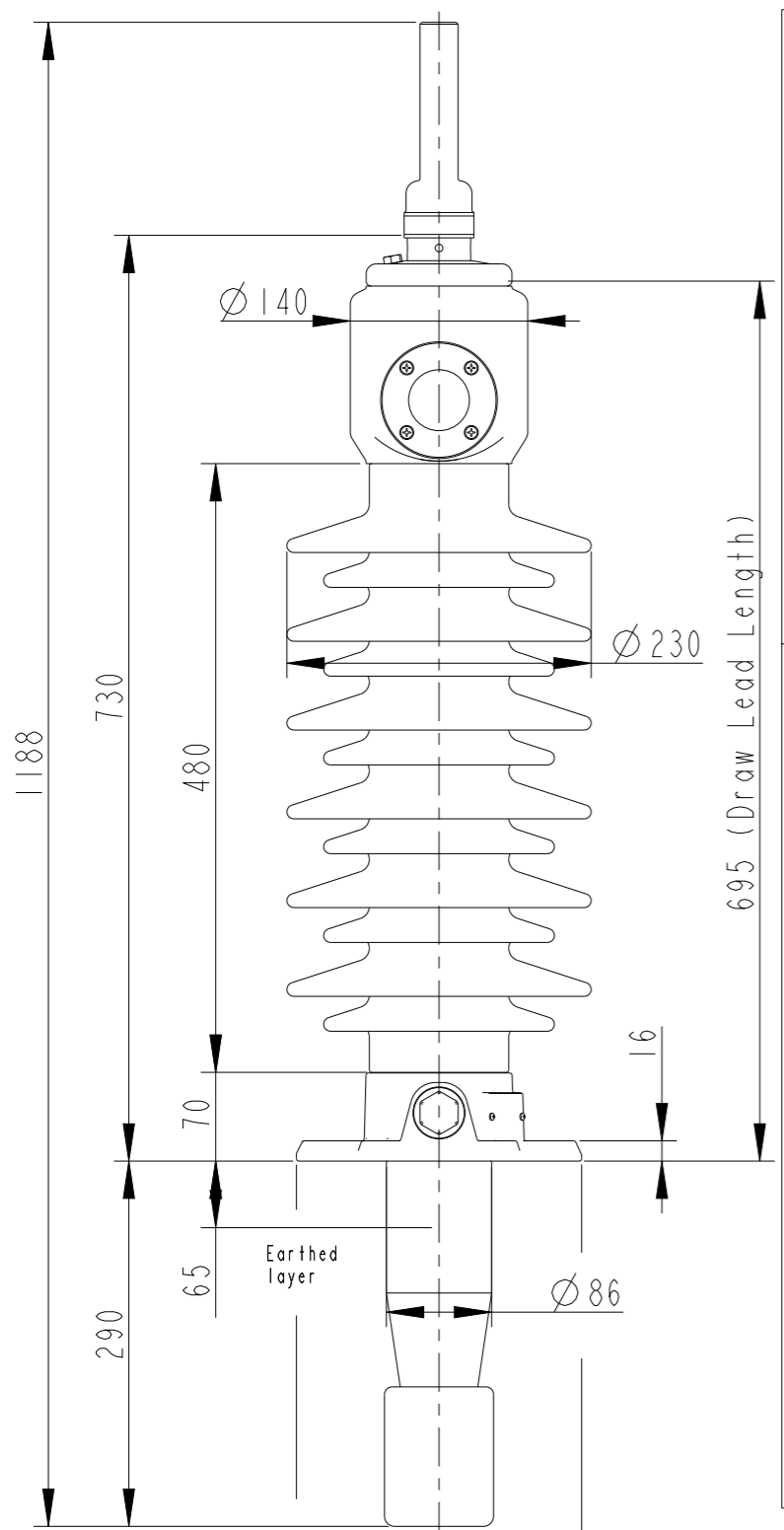


This document is issued by means of a computerized system. The digitally stored original is electronically approved. The approved document has a date entered in the "Approved"-field. A manual signature is not required.

We reserve all rights in this document and in the information contained therein. Reproduction, use or disclosure to third parties without express authority is strictly forbidden.

Revision	Revision text
C	Removed Alt.2, Changed the Phase to ground voltage from 52 to 30kV. Model and note updated.



Bushing Data:

Rated Voltage	52	kV
Phase to Ground Voltage	△C 30	kV
Dry Lightning Impulse 1,2/50µs	250	kV
Wet power frequency AC	105	kV
Routine test Imin dry 50Hz	120	kV
Rated Current	800	A
Creepage Distance	1690±50	mm
Creepage Distance Protected	580	mm
Mass	△C 33	kg

Ordering Data:

BUSHING	COLOUR	AIR INSULATOR
LF123171-M	BROWN	
-N	LIGHT GREY	
LF123171-HM	BROWN	Horizontal 45°-90°
LF123171-HN	LIGHT GREY	Horizontal 45°-90°
OUTER TERMINAL	Material	D L
LF 170 002-A	Cu Alloy	∅ 30 125
LF 170 001-A	Al	∅ 30 125
OTHER TYPES ON REQUEST		
INNER TERMINAL FOR STRANDED CABLE		
For brazing	Conductor area	DI
LF 170 011-S	up to 150mm ²	∅ 18
LF 170 011-U	Undrilled with pilot hole	∅ 5
For crimping or brazing	Conductor area	DI
LF 170 010-M	50mm ²	∅ 11
LF 170 010-N	70mm ²	∅ 13
LF 170 010-L	95mm ²	∅ 15
SOLID ROD CONNECTOR	Material	
LF 170 019 -AM for Alt.1	Cu	
TERMINAL PLATE	Material	
LF 170 014-A	Aluminium	
LF 170 021-A	Nickel-Platted Copper	

Note:
 1) M12 (For Earthing)
 2) ∅ 4 oil connection hole (only valid for horizontal mounting)

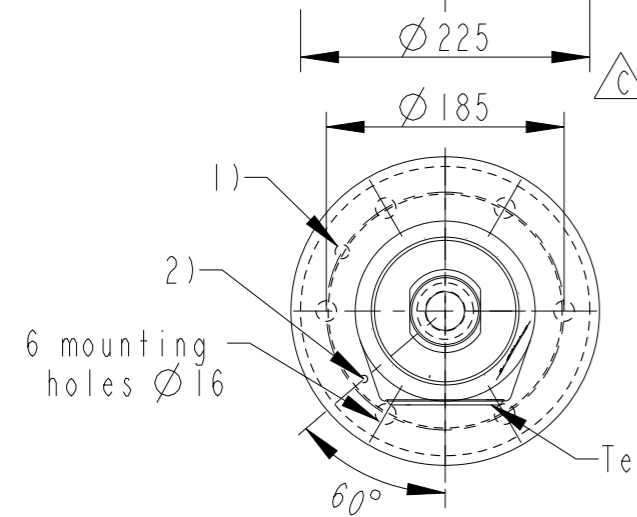


ABB		Ludvika, Sweden	
No.	Um	kV Ir	A 50/60 Hz
○	BIL	kV SL	kV AC
	M	kg L	mm √
	C1	pF Tan δ	x
	C2	pF Tan δ	x

Approved 2021-09-28	Document Kind Dimension Drawing	Based on doc.id	Work order id	Project id
Company ABB Technology Ltd	Title, Supplementary title GOB 250-800-0			
Responsible Department SEABB-9AAE300824	WITH OIL LEVEL GAUGE LONG END SHIELD			
ABB	Document id 2751369-170	Status Development	Revision C	Iteration 1/1