

INSTRUMENT TRANSFORMERS

KOR-60 and KOR-75

Outdoor current transformers



The KOR-60 and KOR-75 outdoor current transformers are designed for metering and relaying circuits.

Product features

- 5 and 8.7 kV, outdoor
- 60 and 75 kV BIL, 60 Hertz
- Electrical clearances:
 - Strike: 7.75" (197 mm)
 - Creep: 13.25" (337 mm)

Application

The KOR-60 and KOR-75 outdoor current transformers are used for metering and relaying circuits. The top location of the primary terminals is convenient for connecting to overhead lines with drop leads.

Construction features

Primary and secondary windings are assembled around a toroidal core and attached to a support frame. For insulation and protection, the assembly is vacuum cast in polyurethane.

Secondary terminals

Secondary terminals are compression-type and can accommodate #14 through #1 wire. Terminal screws are slotted hex-head type and are easily accessible. A short circuit device is also installed between the secondary terminals to improve safety and avoid dangerous voltages across the secondary when the primary is energized.

Junction box

The junction box has a 1" diameter conduit entrance from three directions and is removable for simplified changeout. A ground terminal inside the box is conveniently located for grounding the transformer, or it may be grounded externally by the baseplate or attached grounding lug.

Baseplate

The base is constructed of corrosion-resistant aluminum and is secured to the encapsulated base support.

Mounting

The KOR-60 and KOR-75 can be mounted in upright, cantilever, or upside-down positions. Stress relief devices should be used to support cable connections.

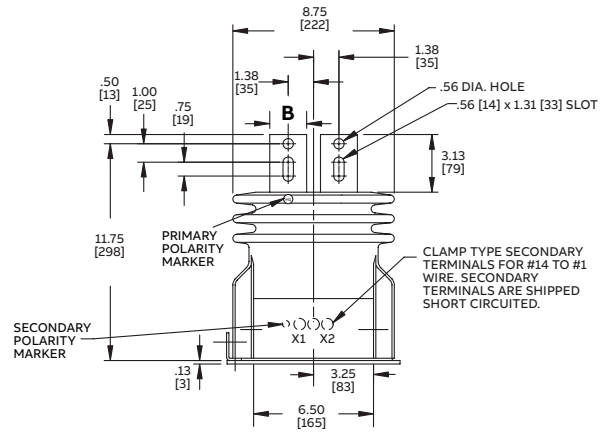
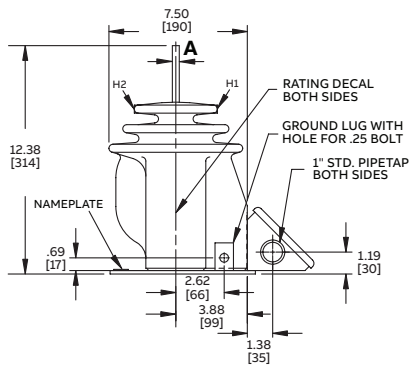
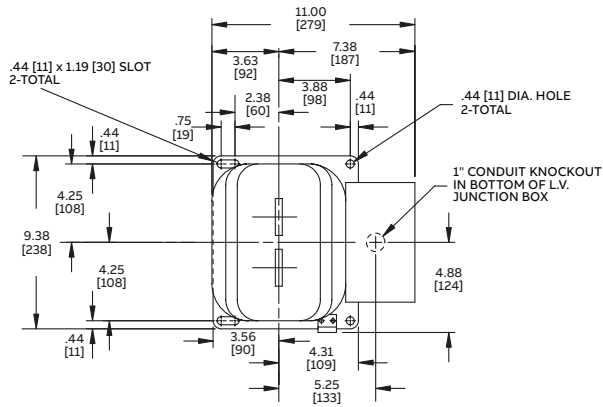
Test reports

Test reports are stored electronically and can be e-mailed in various formats at the time of shipment.

Standards

This unit can be tested to all applicable IEEE, CSA, or IEC standards as requested.

Dimensions (inches [mm])



Bar dimensions

Primary ampere rating	A		B		Weight	
	(in)	(mm)	(in)	(mm)	(lb)	(kg)
5 - 150	0.25	6	1.5	38	41	19
200 - 800	0.375	10	2.0	51	45	20

Selection guide						
Primary ampere rating	Rating factor @ 30° C	IEEE metering accuracy	IEEE relay accuracy	Thermal rating*	Mechanical rating*	Style number
KOR-60						
5	1.5	0.3B-1.8	T100	100	270	7524A10G01
10	1.5	0.3B-1.8	T100	100	270	7524A10G02
15	1.5	0.3B-1.8	T100	100	270	7524A10G03
20	1.5	0.3B-1.8	T100	100	270	7524A10G04
25	1.5	0.3B-1.8	T100	100	270	7524A10G05
30	1.5	0.3B-1.8	T100	100	270	7524A10G06
40	1.5	0.3B-1.8	T100	100	270	7524A10G07
50	1.5	0.3B-1.8	T100	100	270	7524A10G08
75	1.5	0.3B-1.8	T100	100	270	7524A10G09
100	1.5	0.3B-1.8	T100	100	270	7524A10G10
150	1.5	0.3B-1.8	T100	100	270	7524A10G11
200	1.5	0.3B-1.8	T100	100	270	7524A10G12
300	1.5	0.3B-1.8	T100	100	270	7524A10G13
400	1.5	0.3B-1.8	T100	100	270	7524A10G14
600	1.5	0.3B-1.8	T100	65	175	7524A10G15
800	1.33	0.3B-1.8	T100	50	135	7524A10G16
KOR-75						
5	1.5	0.3B-1.8	T100	100	270	7524A11G01
10	1.5	0.3B-1.8	T100	100	270	7524A11G02
15	1.5	0.3B-1.8	T100	100	270	7524A11G03
20	1.5	0.3B-1.8	T100	100	270	7524A11G04
25	1.5	0.3B-1.8	T100	100	270	7524A11G05
30	1.5	0.3B-1.8	T100	100	270	7524A11G06
40	1.5	0.3B-1.8	T100	100	270	7524A11G07
50	1.5	0.3B-1.8	T100	100	270	7524A11G08
75	1.5	0.3B-1.8	T100	100	270	7524A11G09
100	1.5	0.3B-1.8	T100	100	270	7524A11G10
150	1.5	0.3B-1.8	T100	100	270	7524A11G11
200	1.5	0.3B-1.8	T100	100	270	7524A11G12
300	1.5	0.3B-1.8	T100	100	270	7524A11G13
400	1.5	0.3B-1.8	T100	100	270	7524A11G14
600	1.5	0.3B-1.8	T100	65	175	7524A11G15
800	1.33	0.3B-1.8	T100	50	135	7524A11G16

Note: 50 Hz designs available

* times normal, 1 second; + times normal

Additional styles available upon request. Contact your ABB sales representative or call +1-252-827-3212 for more information.

ABB Inc.
3022 NC 43 North
Pinetops, NC 27864
Phone: +1 252 827 3212

abb.com/mediumvoltage

We reserve the right to make technical changes or modify the contents of this document without prior notice. With regard to purchase orders, the agreed particulars shall prevail. ABB does not accept any responsibility whatsoever for potential errors or possible lack of information in this document.

We reserve all rights in this document and in the subject matter and illustrations contained therein. Any reproduction, disclosure to third parties or utilization of its contents – in whole or in parts – is forbidden without prior written consent of ABB Inc.
Copyright© 2021 ABB
All rights reserved