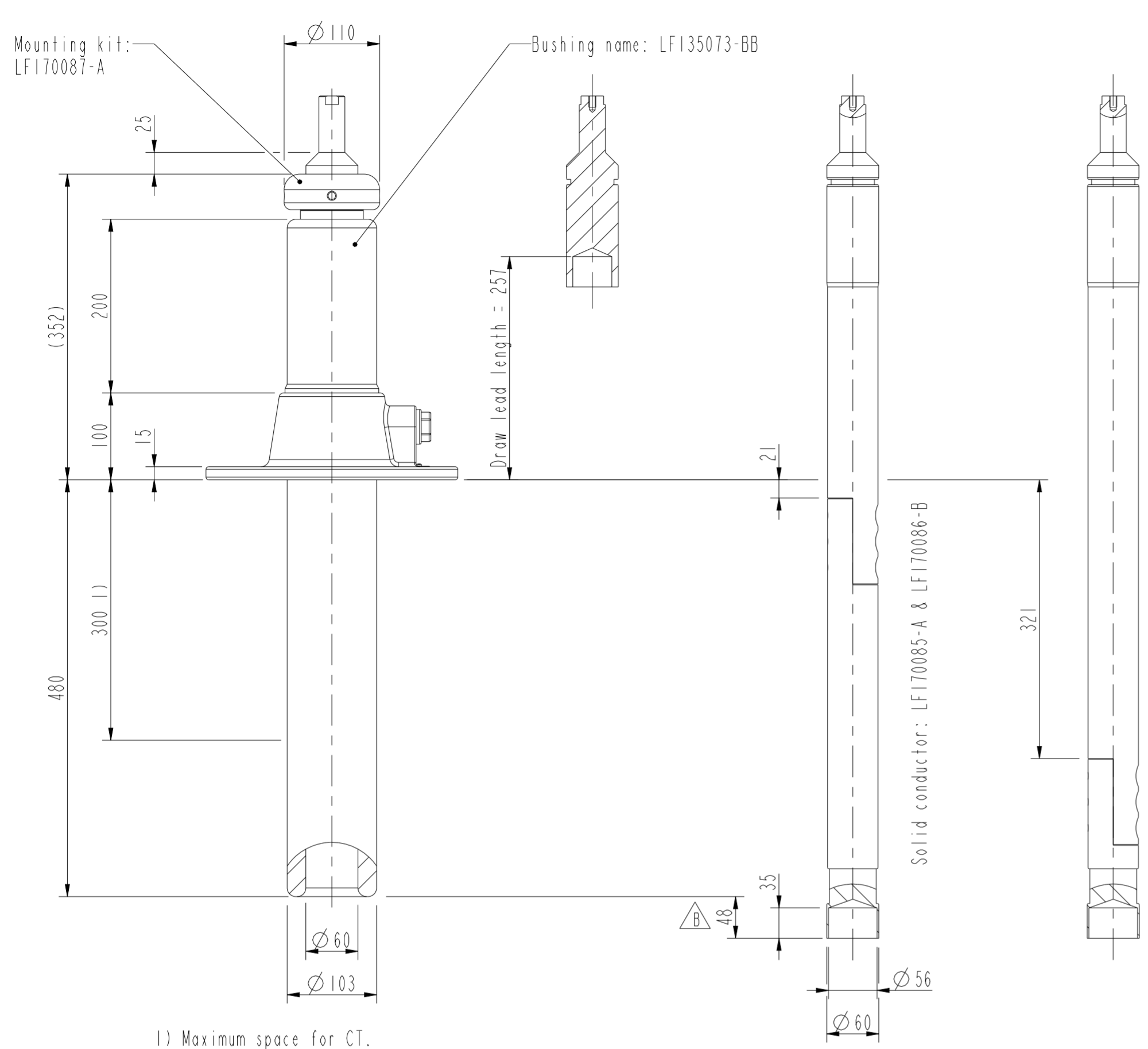


This document is issued by means of a computerized system. The information and data are subject to change without notice. The approved document has a date entered in the approved field. A manual signature is not required.

The information contained in this document has to be kept strictly confidential. Any unauthorized use, reproduction, distribution or disclosure of this document is prohibited. The copyright of ABB reserves all rights regarding intellectual property rights. © Copyright 2013 ABB. All rights reserved.

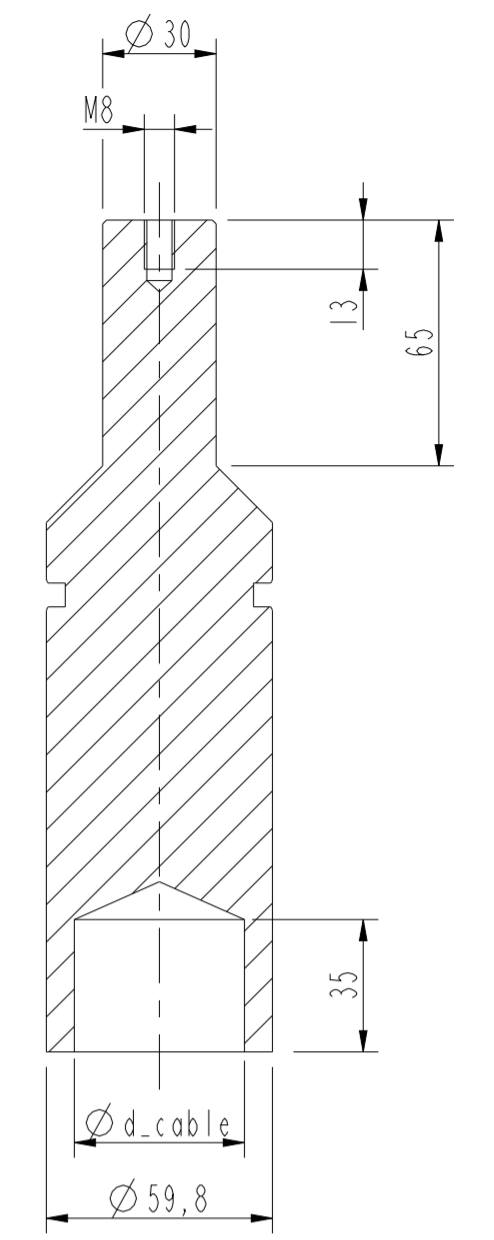


Conductor, upper (Cu)	
Catalog No.	MASS
LF170085-A	10
LF170085-B	17

Conductor, lower (Cu)	
Catalog No.	MASS
LF170086-A	3
LF170086-B	10

Mass: 3.5 kg

Terminal (Cu)	
Catalog No	d_cable
LF170084-A	5
LF170084-B	11
LF170084-C	13
LF170084-D	15
LF170084-E	18
LF170084-F	30
LF170084-G	42
LF170084-H	45
LF170084-I	50
LF170084-J	54



ELECTRICAL DATA acc. to IEC 60137			
Ratings	Rated voltage	73	kV
	Max. phase to earth voltage	42	kV
	Max. phase to earth voltage, temporary	73	kV
	Max. current with Cu-conductor	2500	A
	Max. current with stranded cable 1200 mm <sup>2</sup>	1600	A
	Dry lightning impulse	350	kV
Routine test	Chopped lightning impulse	403	kV
	Dry power frequency	160	kV
Capacitance	Nominal capacitance	380	pF

GENERAL DATA acc. to IEC 60137			
Mass	Mass bushing	9	kg
Cantilever load	Cantilever test load, according to IEC 60137	3150	N
	Max. cantilever operating load, bushing	1575	N
Ambient air temperature according to IEC 60137		-40 to +40	°C
Mounting and service instructions		2750515-138	

ELECTRICAL DATA acc. to ANSI C57.19.00			
Ratings	Insulation class	69	kV
	Rated max. line to ground voltage	44	kV
	Max. current with Cu-conductor	2500	A
	Max. current with stranded cable 1200 mm <sup>2</sup>	1600	A

Dim. requirements acc. to C57.19.1 not fulfilled

Prepared	Responsible department	Title	
Leif Roosgårdh	2018-10-31	PGCO/BK	
Modified by	Take over department	Dimension drawing GSA 73-00 2500/0.3	
Leif Roosgårdh	2019-06-19		
Approved by	Used in product	Måttskiss GSA 73-00 2500/0.3	
Henrik Löfås	2019-06-19		
Revision	Order		Sheet no.
B	Dimension changed.		1
Document no.			No. Skts.
2751365-BB			(1)

ABB		Ludvika, Sweden	
GSA 73-00/2500/0.3	LF135073-BB	No.	
Um 73 kV Ir 2500 A 50/60 Hz			
BIL 350 kV SIL - kV AC 160 kV			
M 9 kg L 480 mm	∠ 0-90°		
C1 pF Tan δ	x		
C2 pF Tan δ	x		

