

INSTALLATION INSTRUCTIONS

# ReliaGear® Merchandised lighting panelboards

## ReliaGear® Merchandised NEMA 3R interior



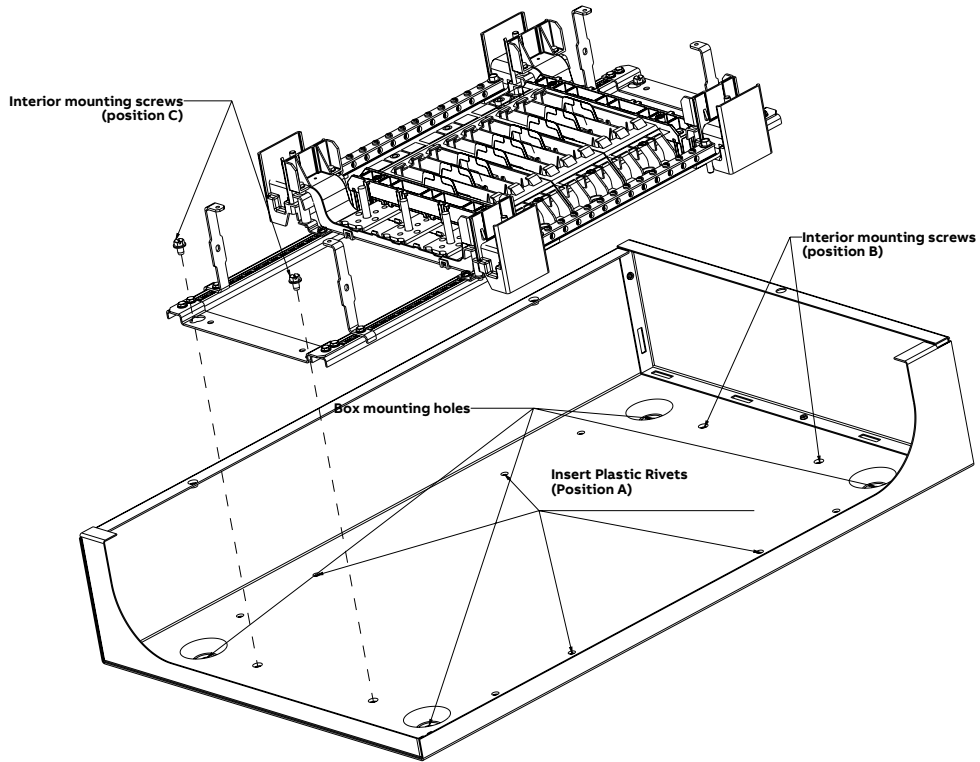
These instructions describe the installation of a ReliaGear Merchandised interior into a ReliaGear lighting panelboard NEMA 3R enclosure. This interior is only for use in a 43", 49" or 76" enclosure of standard width and depth.

### Installation

Use the following procedure to install a ReliaGear Merchandised interior into a ReliaGear Lighting Panelboard enclosure, as illustrated in figure 1.

1. Remove the four screws (125 A and 225 A panels) or eight screws (400 A and 600 A panels) securing the shield to the panelboard interior. Lift off the shield and set it and the screws aside.
2. Remove the four interior mounting screws from position A. Reinstall two of them loosely at position B, retaining the other two. After the screws have been removed, press into each of the four open holes a plastic rivet (315A7077P1), supplied in the hardware kit. Press the rivets into the drawn holes from the inside of the enclosure until the heads of the rivets are flush with the enclosure wall.
3. Mount the enclosure on the wall using the four embossed mounting holes.
4. Hold the interior near its bottom end, then place the two key-shaped mounting holes at the top end of the interior over the mounting screws in the enclosure at position B. Release the bottom of the interior and allow it to hang in the enclosure. Secure the bottom end of the interior to the enclosure at position C with the two remaining screws removed in step 2. Tighten all the screws.
5. Reattach the shield to the interior with the four or eight screws removed in step 1.

—  
01 Installation of a  
ReliaGear® Merchandised  
interior into a ReliaGear  
lighting panelboard



—  
01