

14

13

12

11

D

D

C

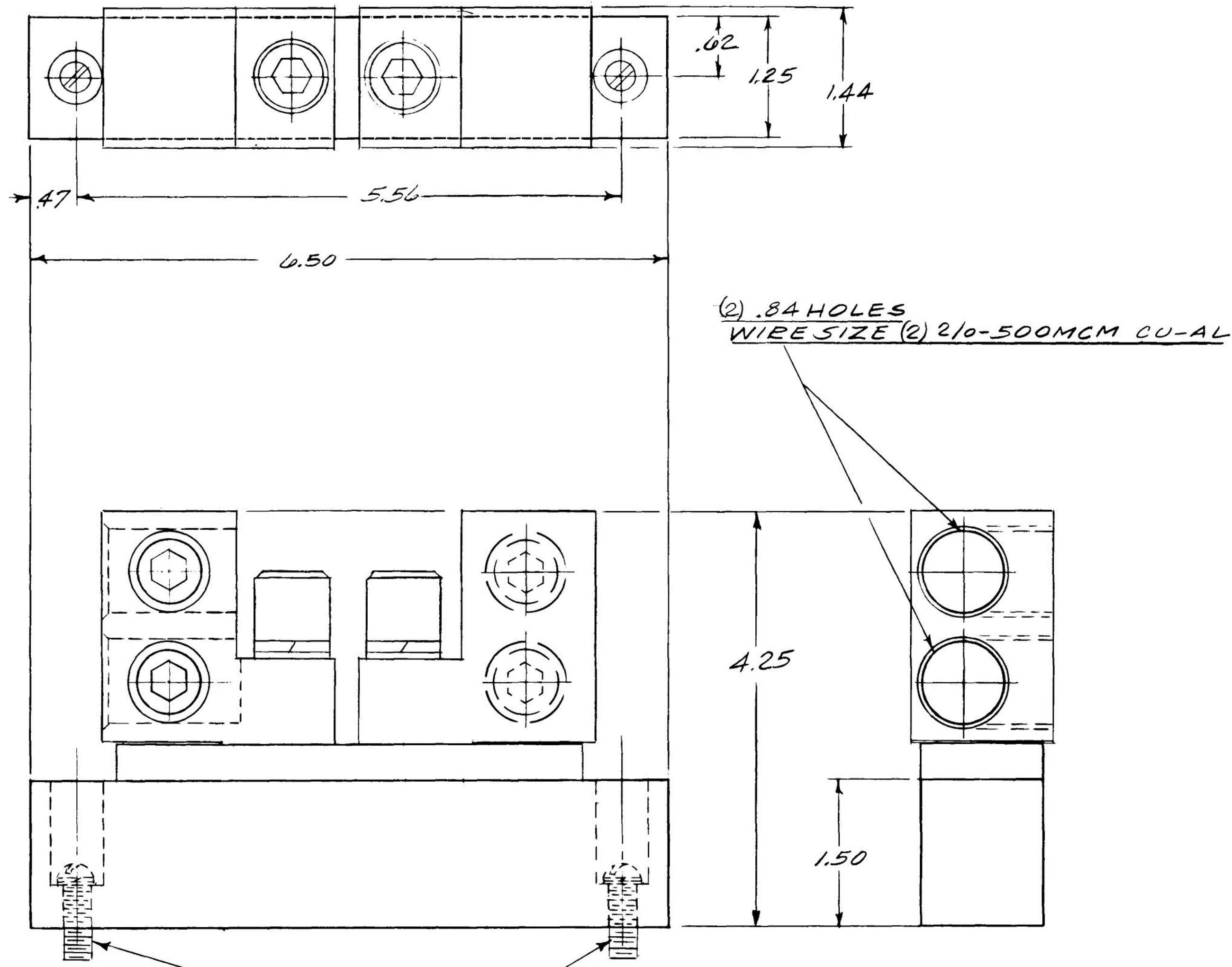
C

B

B

A

A



(2) .84 HOLES  
 WIRE SIZE (2) 2/0-500MCM CU-AL

MOUNTING HARDWARE  
 (2) #12-24 X .75 LG SCREWS  
 (2) #12 LOCK WASHERS  
 (2) #12 FLAT WASHERS

	<b>Industrial Solutions</b> <small>by ABB</small>	<b>OUTLINE NEUTRAL</b> <b>FIRST MADE FOR TNIA600 MOD 8</b>											
	<table border="1"> <tr> <td>THIRD ANGLE</td> <td>SHEET 1</td> <td>DWG NO.</td> <td>DATE</td> <td>REV</td> </tr> <tr> <td></td> <td>1 of 1</td> <td>139C5482SH1</td> <td>05/20</td> <td>4</td> </tr> </table>	THIRD ANGLE	SHEET 1	DWG NO.	DATE	REV		1 of 1	139C5482SH1	05/20	4		
THIRD ANGLE	SHEET 1	DWG NO.	DATE	REV									
	1 of 1	139C5482SH1	05/20	4									

14

13

12

11