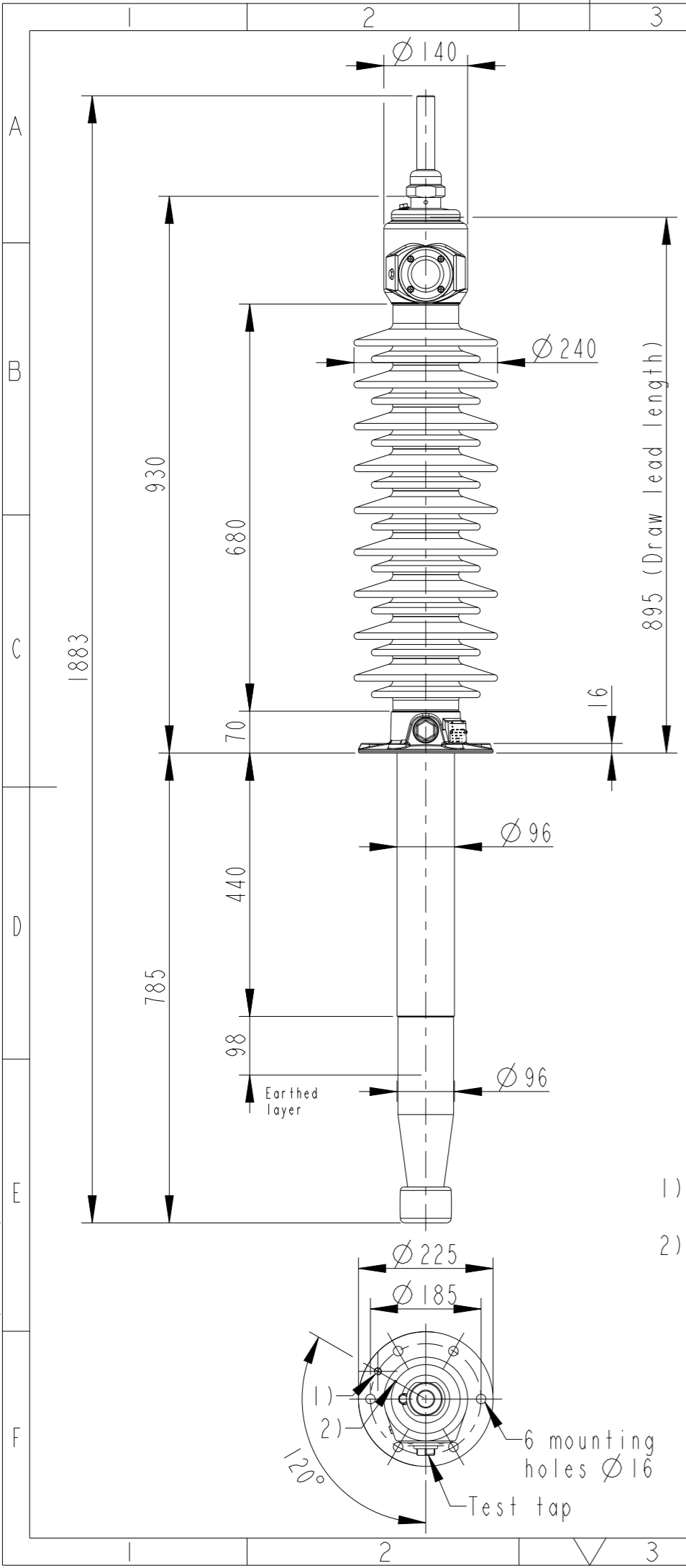
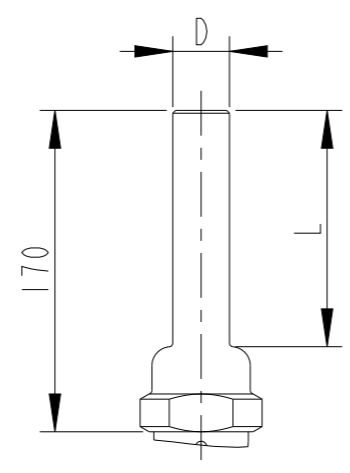


This document is issued by means of a computerized system. The digitally stored original is electronically approved. The approved document has a date entered in the "Approved"-field. A manual signature is not required.

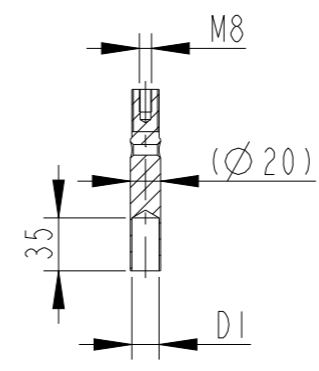
We reserve all rights in this document and in the information contained therein. Reproduction, use or disclosure to third parties without express authority is strictly forbidden.



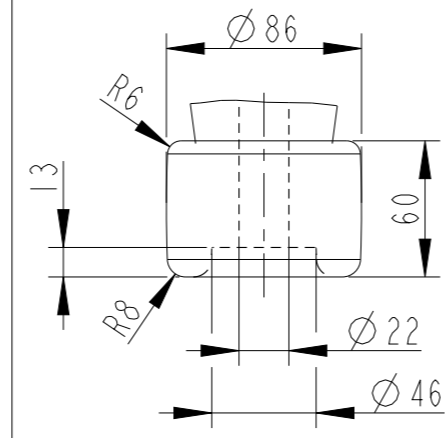
OUTER TERMINAL



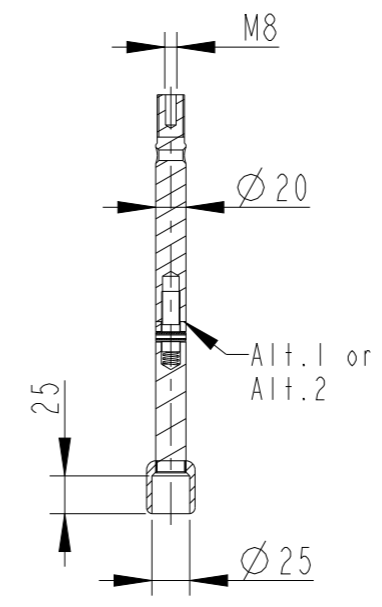
INNER TERMINAL FOR STRANDED CABLE



END SHIELD



SOLID ROD CONNECTOR



The solid rod can be divided either:
 Alt.1: 20mm below the bushing flange or
 Alt.2: 20mm below the upper end of the bottom porcelain

- 1) M12 (For Earthing)
- 2) Ø4 Oil connection hole (only valid for horizontal mounting)

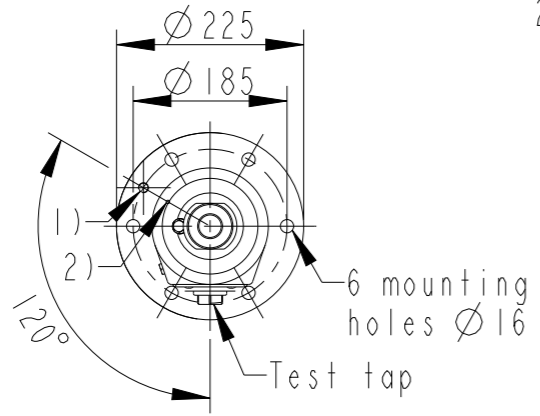


ABB		Ludvika, Sweden	
No.	Um	kV Ir	A 50/60 Hz
○	BIL	kV SIL	kV AC
M	kg L	mm	°
C1	pF	Tan δ	x
C2	pF	Tan δ	x

Revision	Revision text
E	Bushing data changed

Bushing Data:

Rated Voltage	100	kV
Phase to Ground Voltage	△E 58	kV
Dry Lightning Impulse 1,2/50µs	380	kV
Wet power frequency AC	150	kV
Routine test Imin dry 50Hz	△E 165	kV
Rated Current	800	A
Creepage Distance	2210±70	mm
Creepage Distance Protected	870	mm
Mass	42	kg

Ordering Data:

BUSHING	COLOUR AIR INSULATOR	
LF123187-K	BROWN	
LF123187-L	LIGHT GREY	
LF123187-HK	BROWN Horizontal 45°-90°	
LF123187-HL	LIGHT GREY Horizontal 45°-90°	
OUTER TERMINAL	Material D L	
LF 170 002-A	Cu alloy, Ø30,125	
LF 170 001-A	Al, Ø30,125	
OTHER TYPES ON REQUEST		
INNER TERMINAL FOR STRANDED CABLE		
For brazing	Conductor area	D1
LF 170 011-S	up to 150mm²	Ø18
LF 170 011-U	Undrilled with pilot hole	Ø5
For crimping or brazing	Conductor area	D1
LF 170 010-M	50mm²	Ø11
LF 170 010-N	70mm²	Ø13
LF 170 010-L	95mm²	Ø15
SOLID ROD CONNECTOR	Material	
LF 170 019 -BF for Alt.1	Cu	
LF 170 019 -BG for Alt.2	Cu	

Created by Jacob Stefansson	Reviewed by Joakim Persson	Approved by Natalia Gutman
Approved 2019-09-04	Document Kind Assembly Drawing	Based on doc.id -
Company ABB Technology Ltd	Title, Supplementary title GOB 380-800-0.5 WITH OIL LEVEL GAUGE STD END SHIELD	
Responsible Department SEABB-9AAE300824	Document id 2751369-191	Status Released
ABB	Revision E	Iteration 1/1