

INSTALLATION AND MAINTANANCE INSTRUCTIONS

RMBND1200EUSERC



**HAZARDOUS VOLTAGE.
WILL CAUSE SEVERE
INJURY OR DEATH.**

Turn OFF power supplying this equipment before working inside.

Please read these instructions completely before installing or removing device. Improper installation could be hazardous to personnel and/or equipment.

Kit Contains

Bonding Strap	1
#10-32 Screws	2

Instruction

1. Turn OFF power supplying the equipment
2. Remove Previous Bonding Strap
 - Take off the cover
 - Remove the existing bonding strap"
3. Align and install new bonding straps
4. Install the #10-32 Screws.

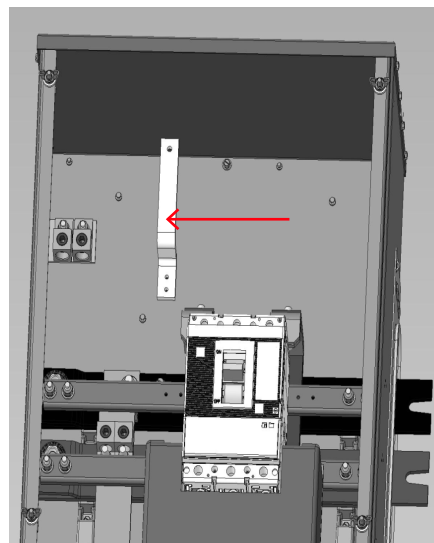
Torque:

600A-800A MCB EUSERC: **35 lb.in**

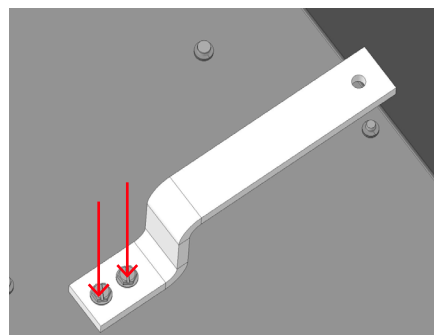
1000A-1200A MCB EUSERC: **50 lb.in**

600A-800A MFS EUSERC: **35 lb.in**

Step 3



Step 4



We reserve the right to make technical changes or modify the contents of this document without prior notice. With regard to purchase orders, the agreed particulars shall prevail. ABB AG does not accept any responsibility whatsoever for potential errors or possible lack of information in this document.

We reserve all rights in this document and in the subject matter and illustrations contained therein. Any reproduction, disclosure to third parties or utilization of its contents – in whole or in parts – is forbidden without prior written consent of ABB AG. Copyright© 2024 ABB All rights reserved

RMBND1200EUSERC



**VOLTAJE PELIGROSO.
PODRA CAUSAR MUERTE
O LESIONES SERIAS**

Desconecte la alimentación eléctrica de edre equipo antes de realizar cualquier trabajo dentro o fuera de él.

Lea atentamente estas instrucciones antes de instalar o retirar el dispositivo. Una instalación incorrecta podría resultar peligrosa para el personal y/o el equipo.

El kit contiene

Correa de unión	1
Tornillos #10-32	2

Instrucción

1. Desconecte la alimentación del equipo
2. Retire la correa de unión anterior
 - Retire la cubierta
 - Retire la correa de unión existente
3. Alinee e instale las nuevas correas de unión
4. Instale los tornillos #10-32

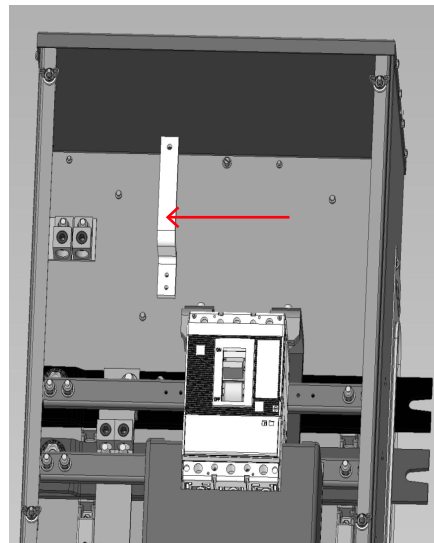
Torque:

600A-800A MCB EUSERC: **35 lb.in**

1000A-1200A MCB EUSERC: **50 lb.in**

600A-800A MFS EUSERC: **35 lb.in**

Paso 3



Paso 4

