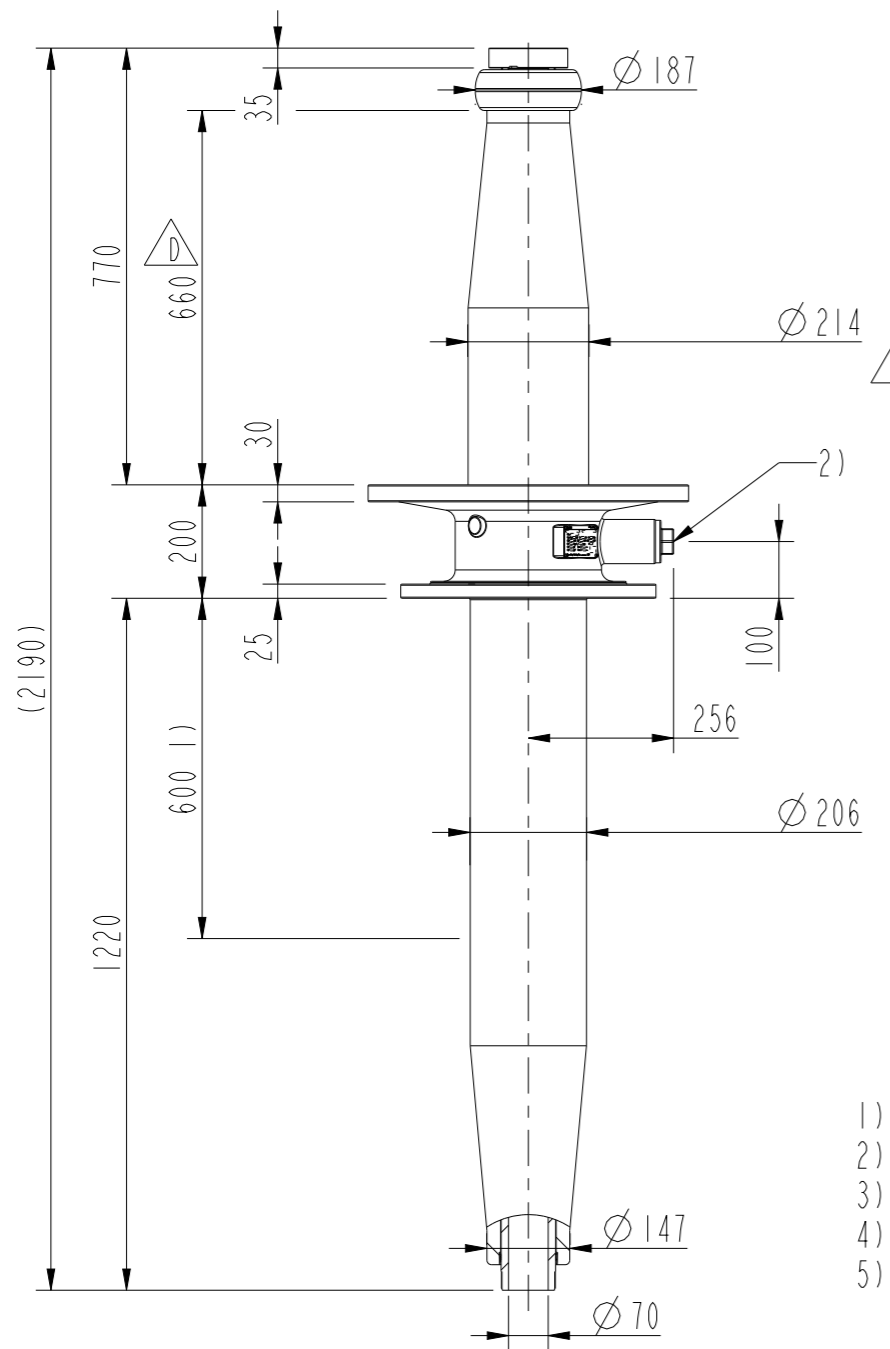


This document is issued by means of a computerized system. The digitally stored original is electronically approved. The approved document has a date entered in the "Approved"-field. A manual signature is not required.

The information contained in this document has to be kept strictly confidential. Any unauthorized use, reproduction, distribution or disclosure to third parties are strictly forbidden. ABB reserves all rights regarding Intellectual Property Rights. © Copyright 2013 ABB. All rights reserved.



Bushing data:	
Rated voltage	245 kV
Phase-to-earth voltage	141 kV
Lightning impulse	1050 kV
Switching impulse	850 kV
Routine test, 1 min 50 Hz	506 kV
Rated current	1600/2500 A
Mass	123/167 kg

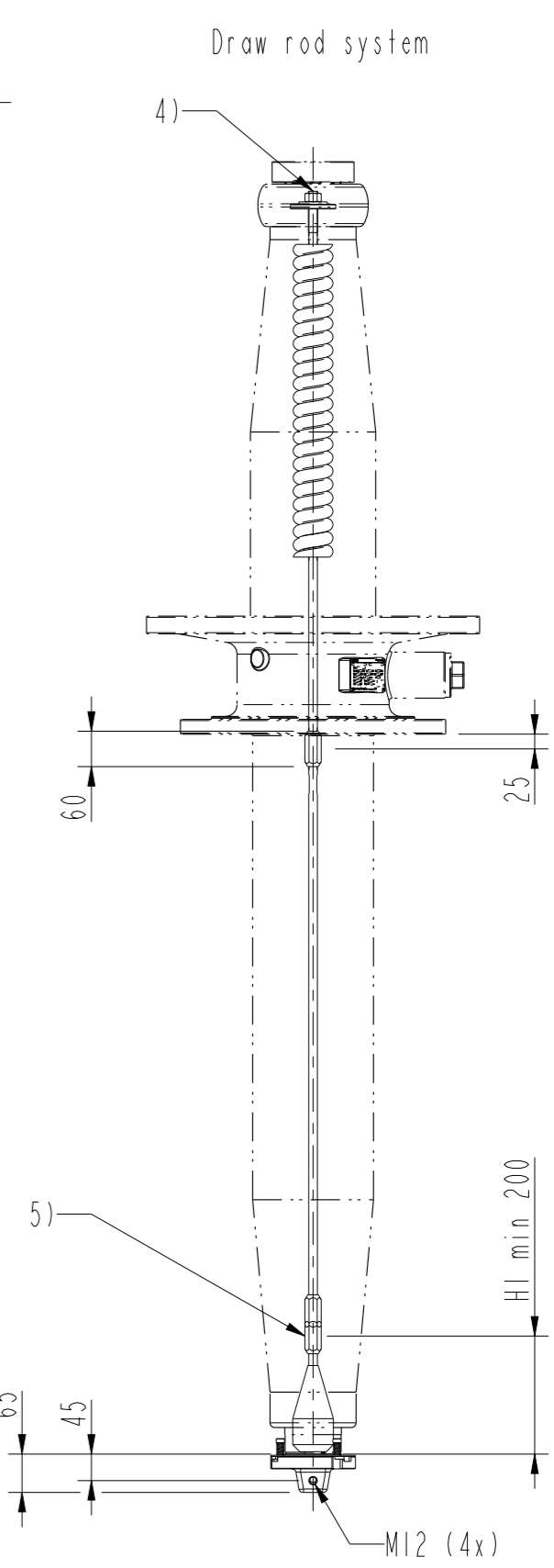
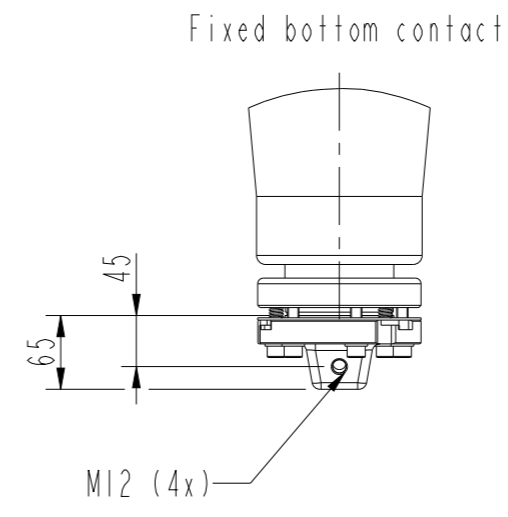
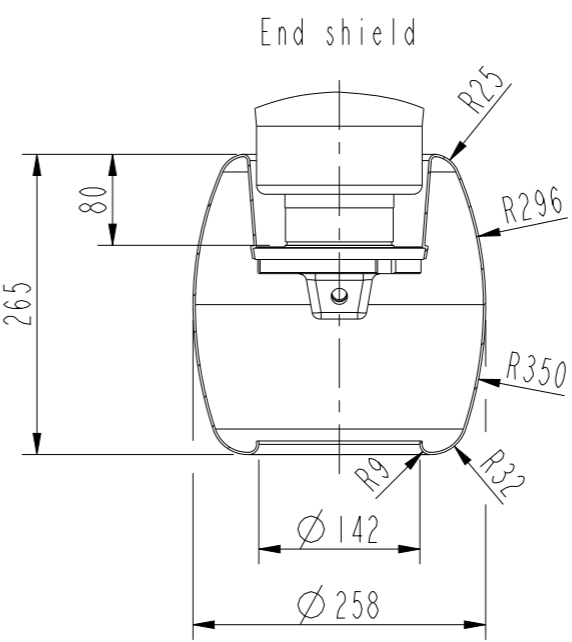
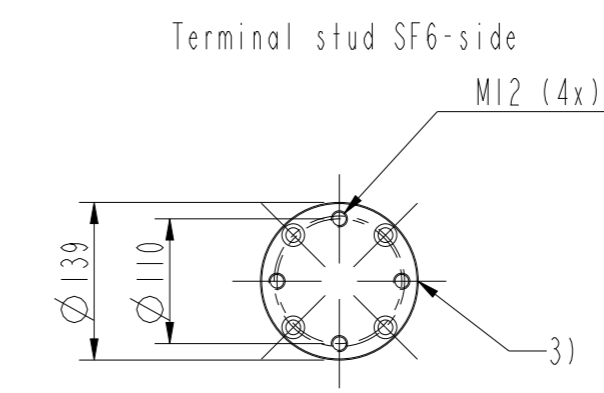
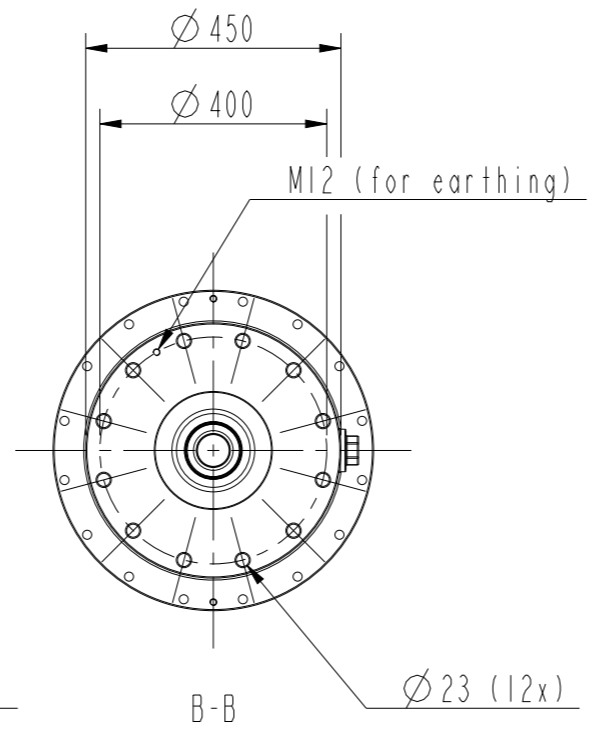
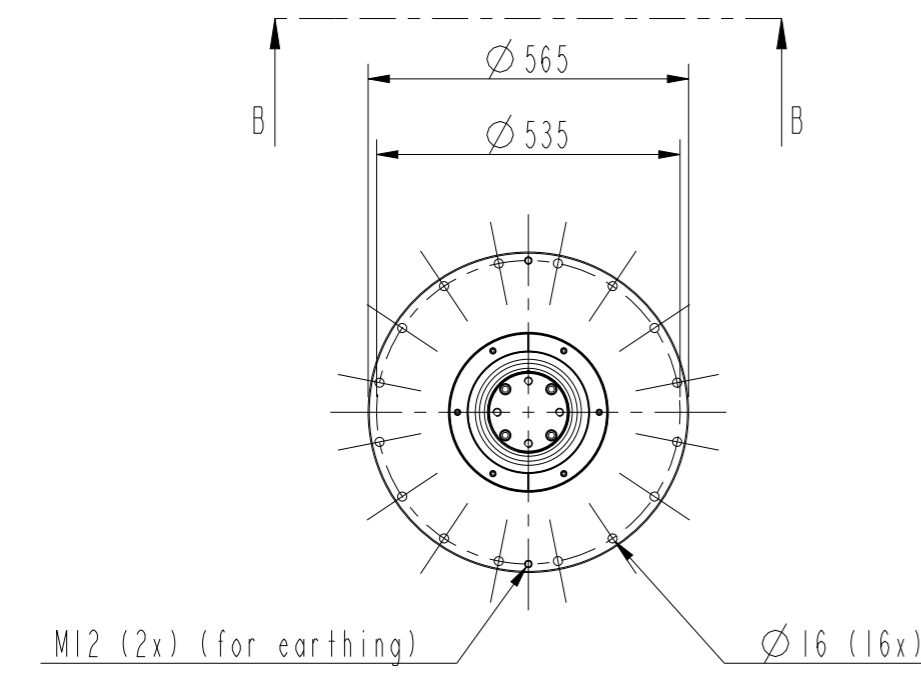
Ordering data:			
Bushing		Conductor tube	Rated current
IZSC900245-AAB	Test tap	Al	1600 A
IZSC900245-ABB	Voltage tap 6 kV	Al	1600 A
IZSC900245-ACB	Test tap	Cu	2500 A
IZSC900245-ADB	Voltage tap 6 kV	Cu	2500 A

Draw rod system	
IZSC999004	

Fixed bottom contact	
IZSC999002-AAE	

End shield	
IZSC999003-AEA	Epoxy insulated
IZSC999003-AEB	Pressboard insulated

- 1) Maximum length of CT.
- 2) Test tap / Voltage tap
- 3) Test tap / Voltage tap position.
- 4) Threaded hole M8 for pulling wire.
- 5) Additional joints on request.



Prepared	Leif Roosgårdh	2016-10-31	Responsible department	PGCO/BK	Title	Bushing GSBK 245/0.6	Language	82
Modified by	Leif Roosgårdh	2018-11-14	Take over department					
Approved by	Johan X Eriksson	2018-11-14	Used in product		Genomföring GSBK 245/0.6	Order	Sheet no.	1
Revision	D			Mass updated.	Document no.	2753016-4	No. Shits.	(1)

