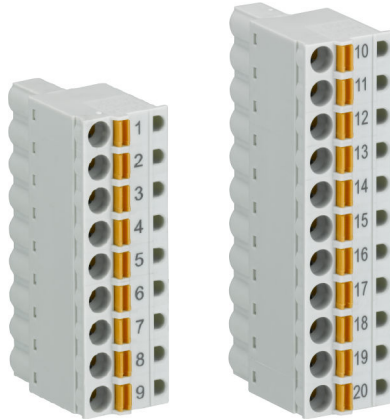


DATA SHEET

TA565

Accessories

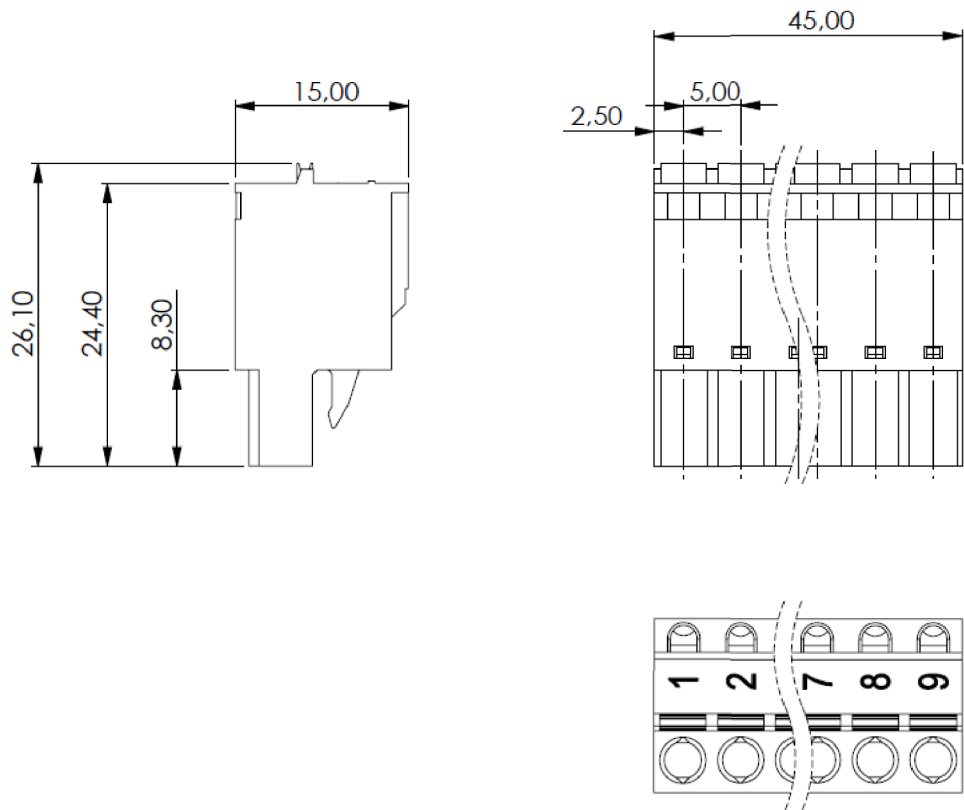


1 Ordering data

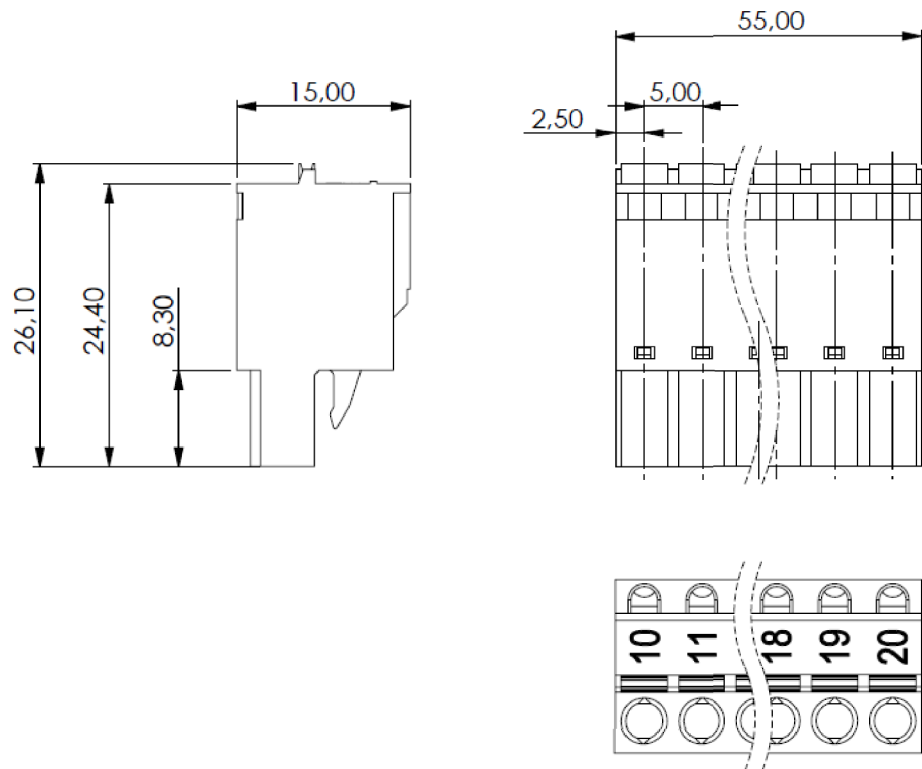
Part no.	Description	Product life cycle phase *)
1TNE 968 901 R3105	Terminal Block TA565-9, 9-pin spring front, cable front, 6 pieces per unit	Active
1TNE 968 901 R3106	Terminal Block TA565-11, 11-pin, spring front, cable front, 6 pieces per unit	Active

2 Dimensions

TA565-9



TA565-11



3 Technical data

Table 1: Spring terminals (TA565)

Parameter		Value
Type		Front terminal
Conductor cross section		
	Solid	0.5 mm ² ... 2.5 mm ²
	Flexible	0.5 mm ² ... 2.5 mm ²
Stripped conductor end		10 mm
Degree of protection		IP 20
Conductor cross section flexible, with ferrule with/ without plastic sleeve		Min. 0.25 mm ² Max. 1.5 mm ²