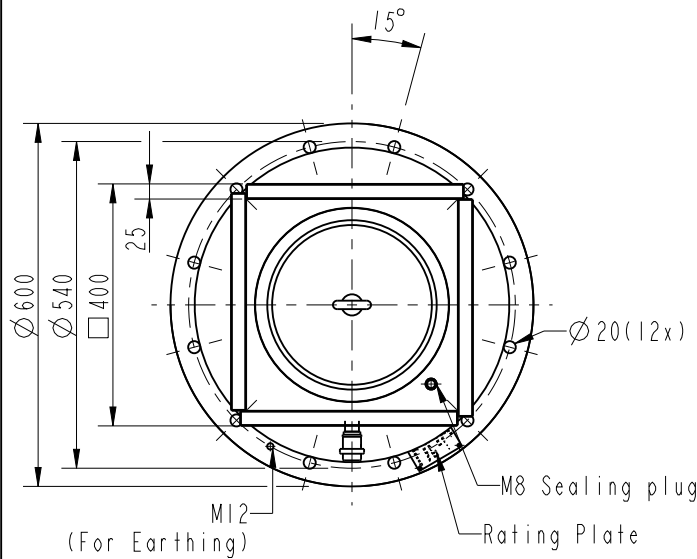
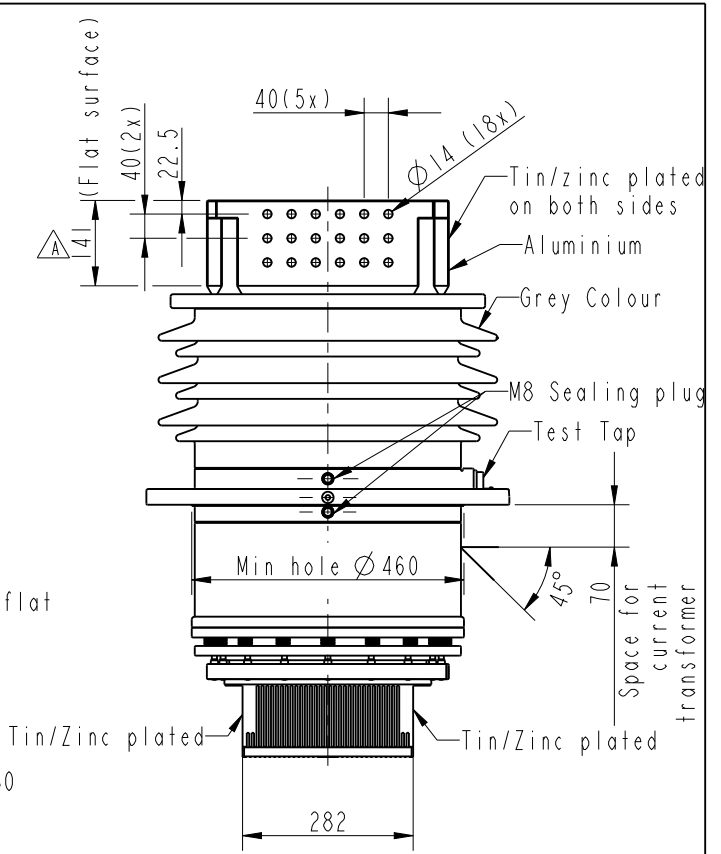
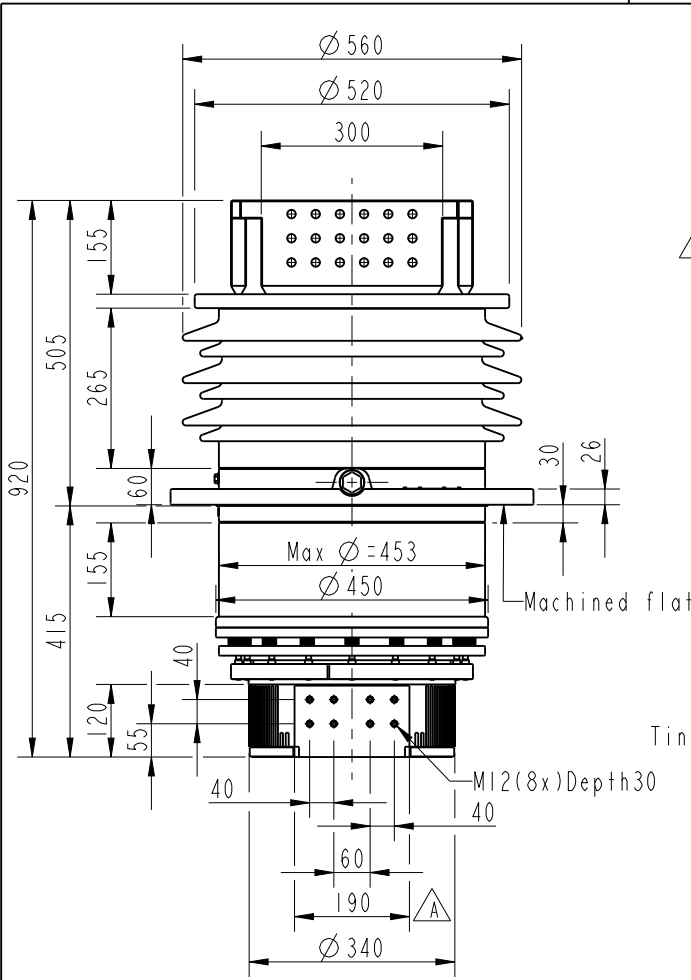


This document is issued by means of a computerized system. The digitally stored original is electronically approved. The approved document has a date entered in the 'Approved'-field. A manual signature is not required.



Rating	IEC	ANSI
Rated voltage (kV)	36	-
Phase to earth voltage (kV)	36	22
Power frequency wet (kV)	70	75
Power frequency dry (kV)	70	80
Lightning impulse (kV)	170	200
Insulation class (kV)	-	34.5
Current carrying capacity acc to IZSE2750-107		
Creepage distance 760 mm		
Mass 280 kg		
Catalogue number LFI26009-B		

Prepared	Sri Ambicai	2012-02-14	Responsible department	PPCO/BK	Title	BUSHING GOH 170-25 GENOMFÖRING GOH 170-25	
Modified by	Sri Ambicai	2012-04-20	Take over department				
Approved by			Used in product				
Revision	A	Mdl & Dwg updt, dim 141 w 130 & 190 w185	Order		Language	82	
				Document no.	2751312-20	Sheet no.	1
6917 028-PA(A4)Rev1						No. Shts.	(1)

The information contained in this document has to kept strictly confidential. Any unauthorized use, reproduction, distribution or disclosure to third parties are strictly forbidden. ABB reserves all rights regarding Intellectual Property Rights. © Copyright 2010 ABB. All rights reserved.