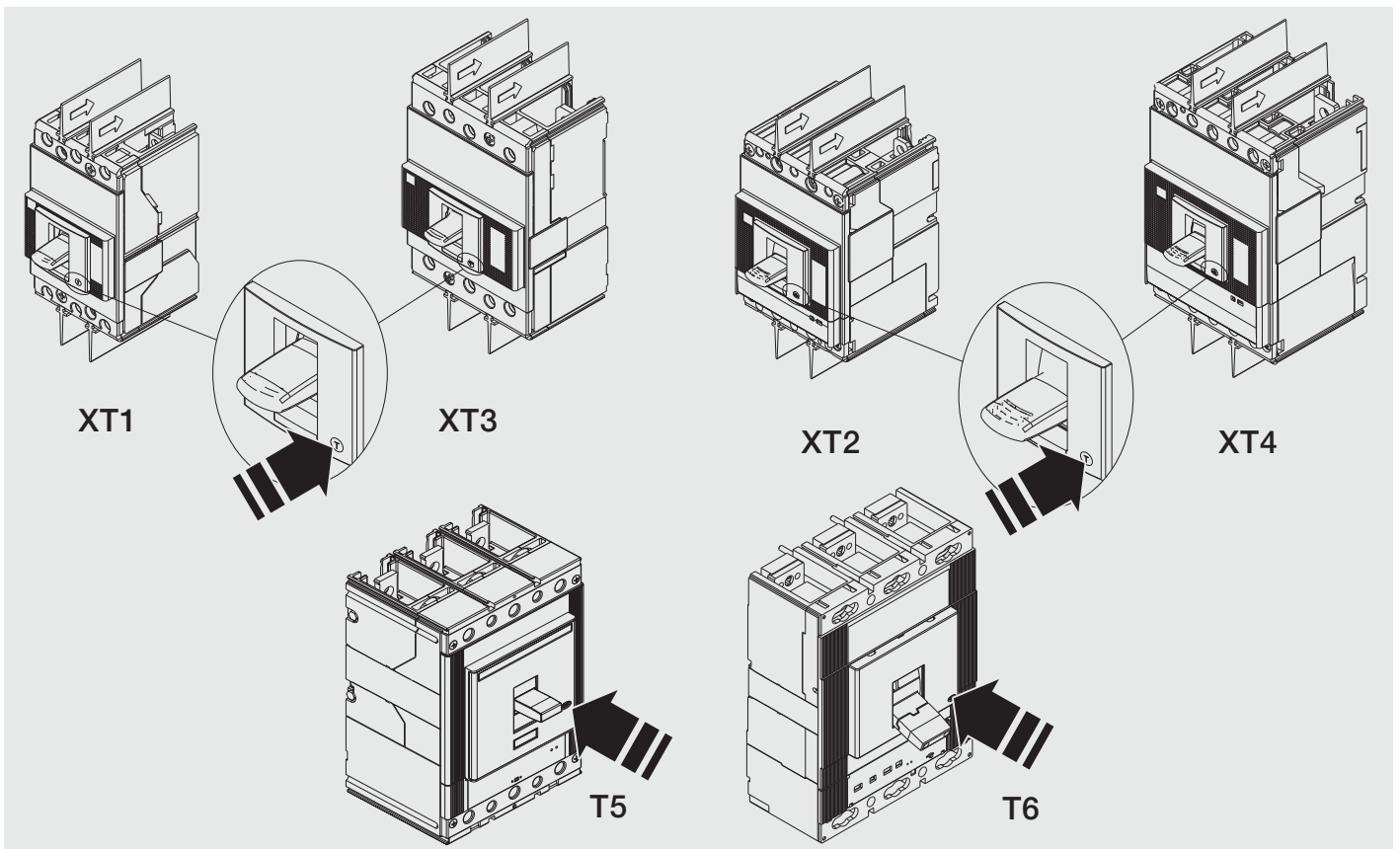


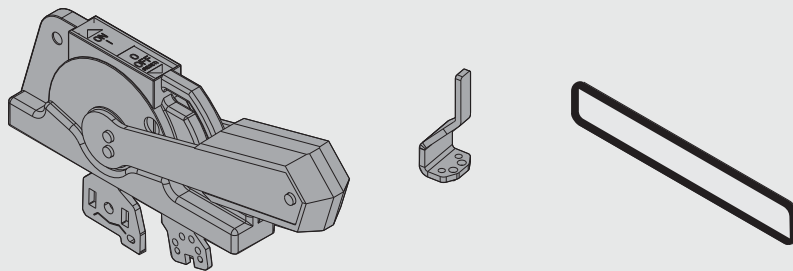
# SACE Tmax - Tmax XT

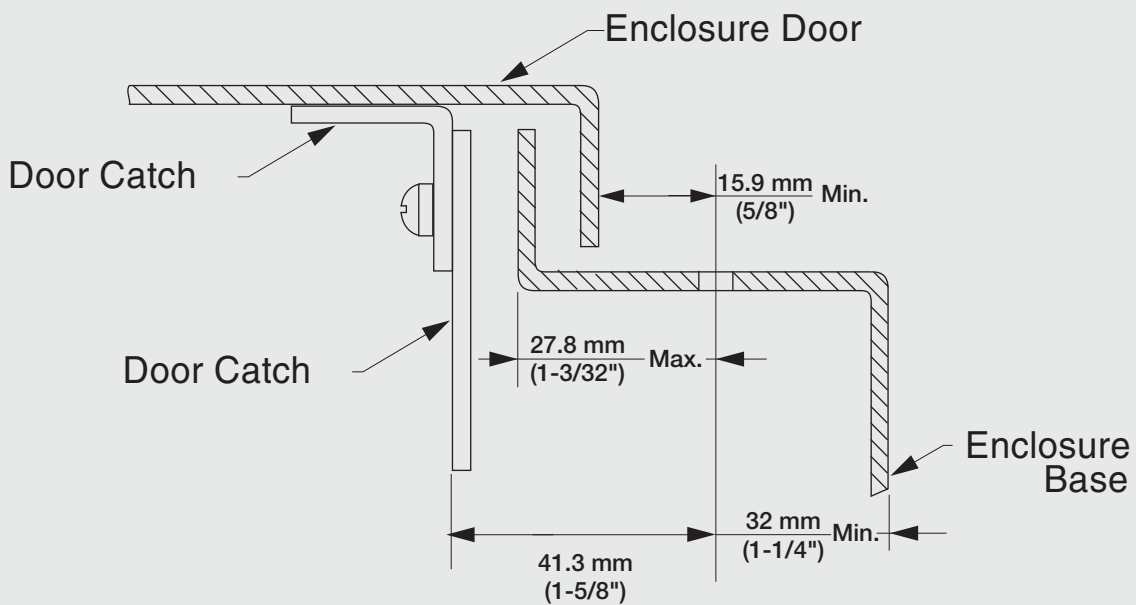
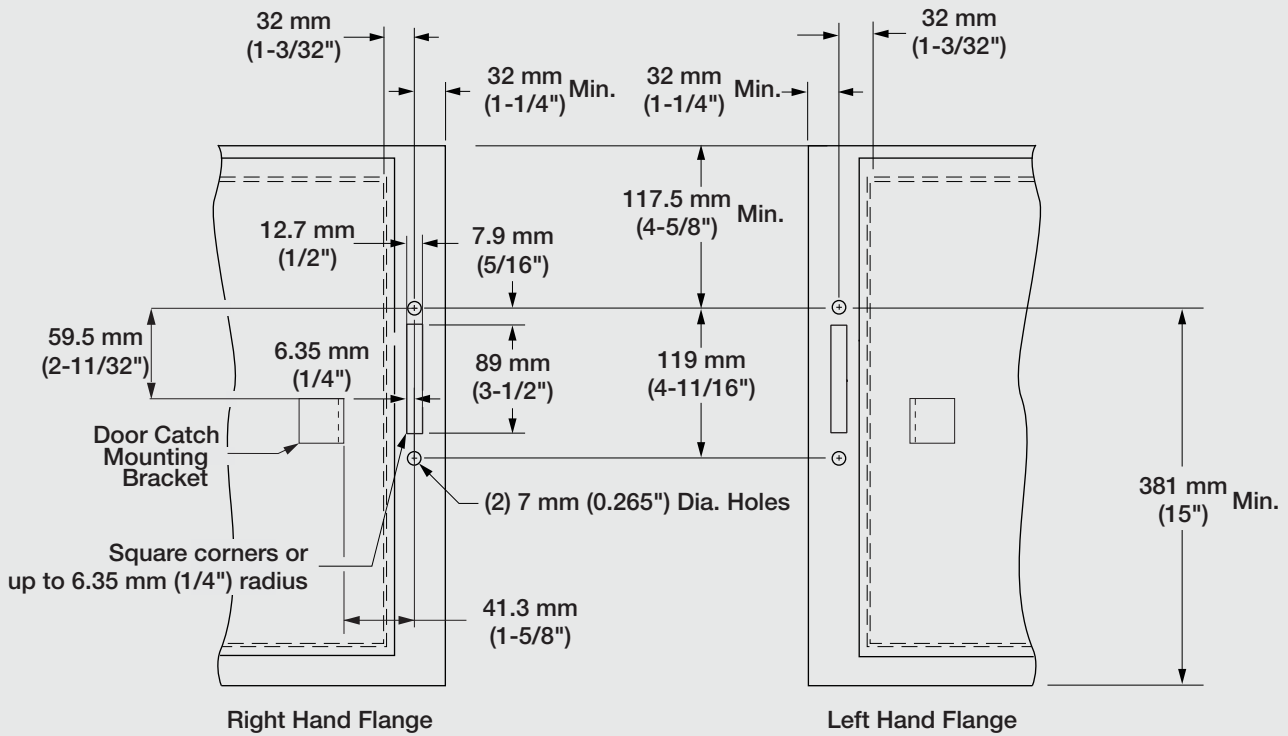
Spare part handle for flange handle XT- T5-T6



## Disconnect Handle Kit

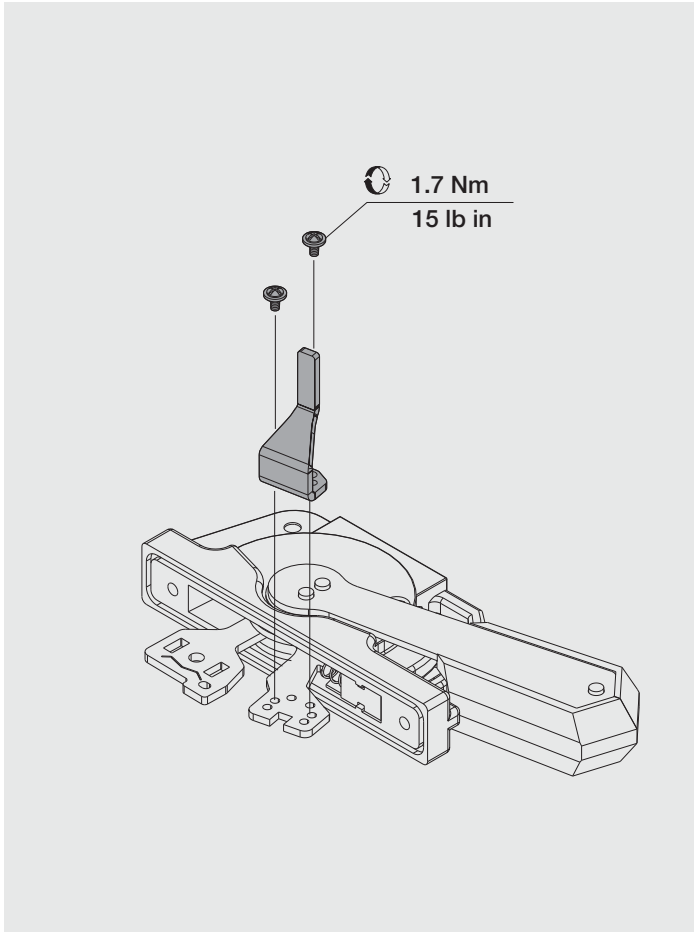
⊕ x 2  
6-32 x 0.312 in



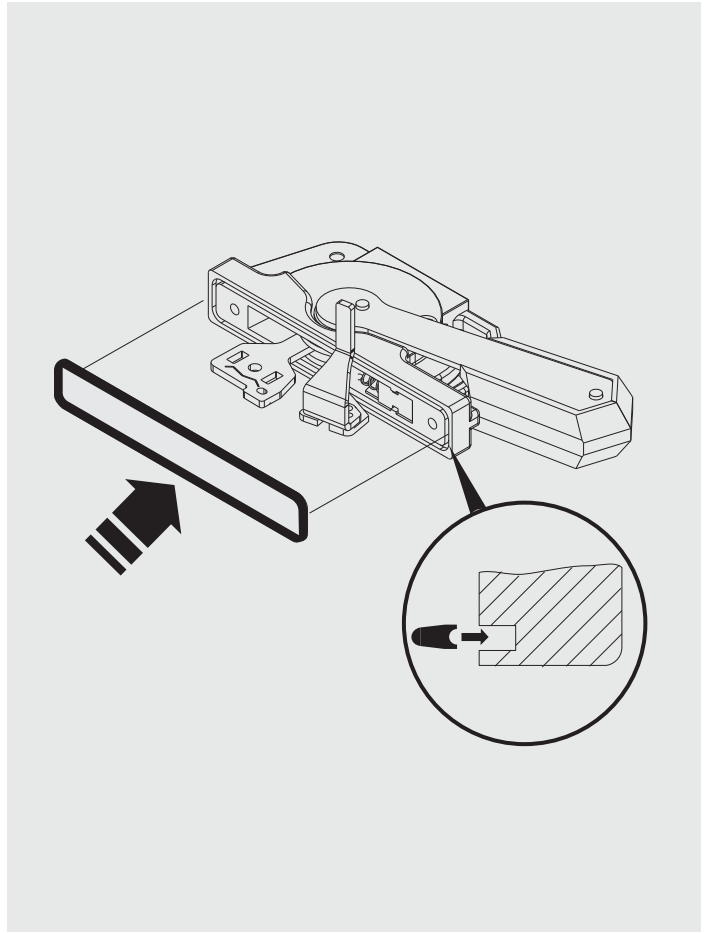


The door catch mounting bracket is provided with projections for welding; however, holes can be drilled in the bracket using the projections for locating hole centers. After locating the centers, use the bracket as a template and drill corresponding holes in the enclosure door. Fasten the bracket with hardware supplied by user. If properly assembled, the hardware should not be accessible for tampering with by unauthorized personnel.

B



C



D

