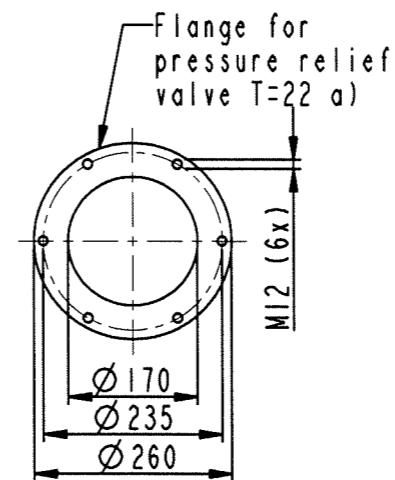
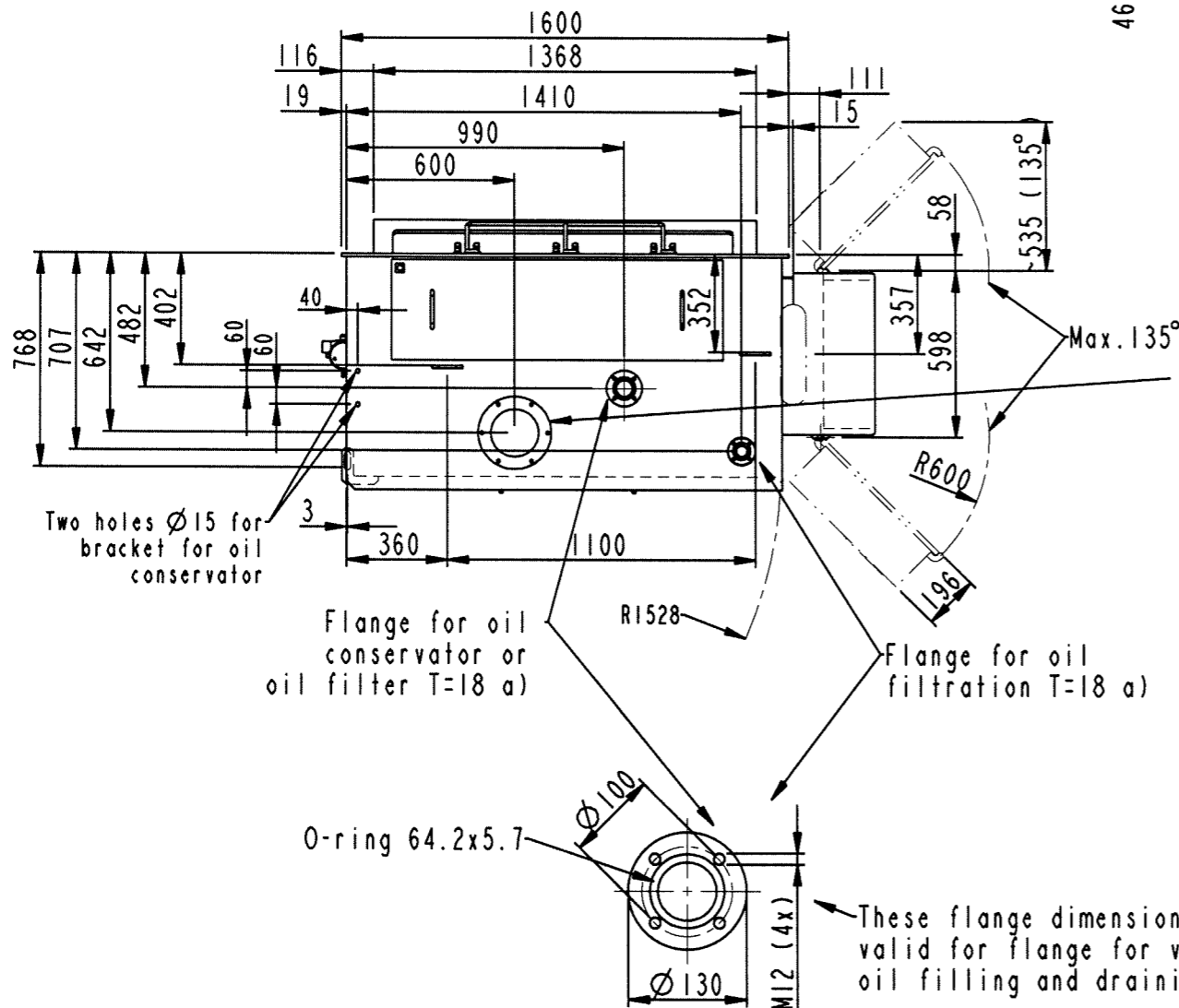
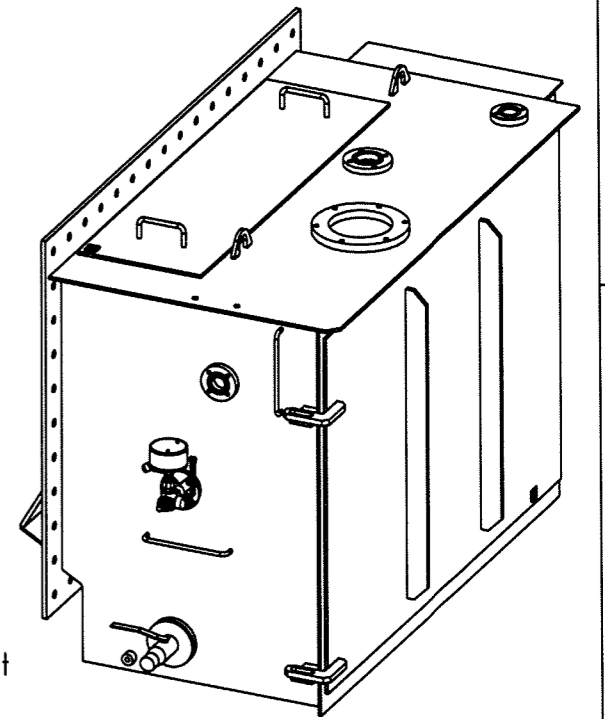
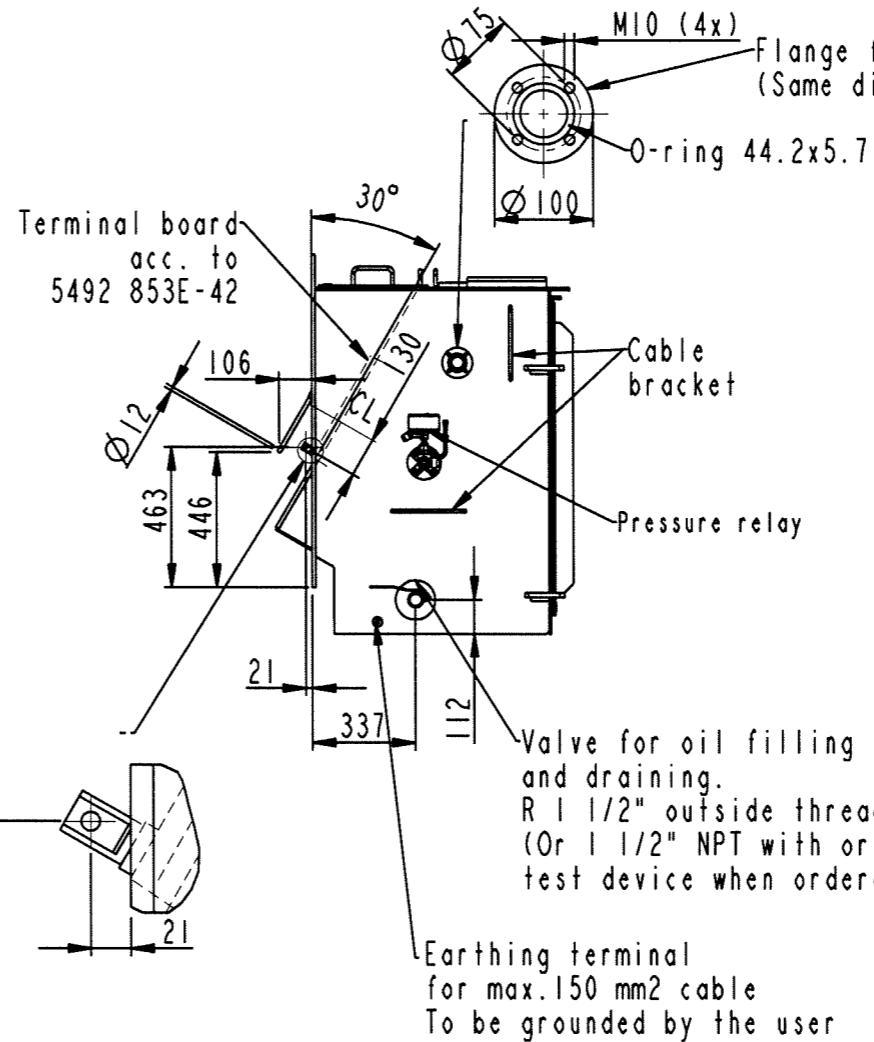
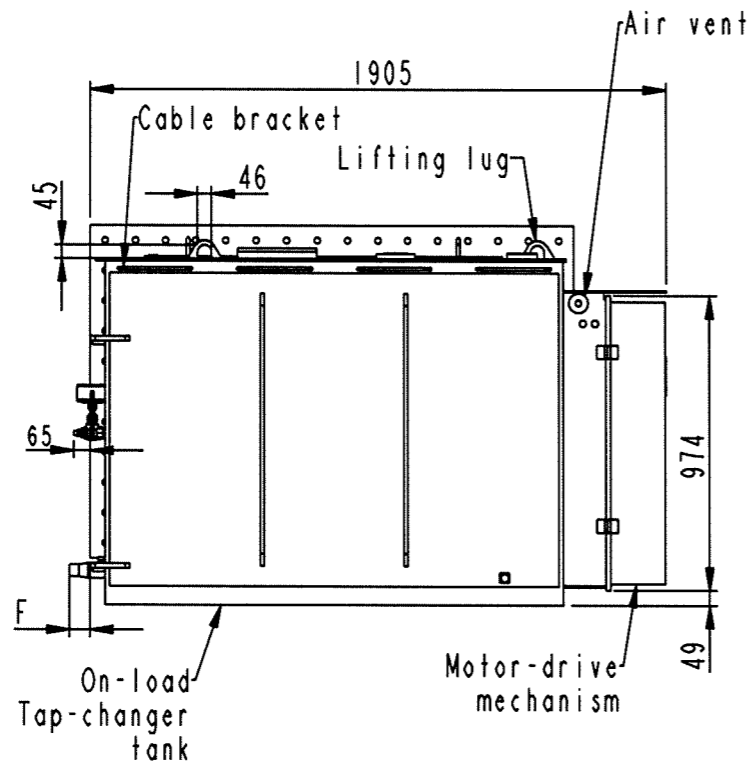


We reserve all rights in this document and in the information contained therein. Reproduction, use or disclosure to third parties without express authority is strictly forbidden. © ABB

|                             |    |
|-----------------------------|----|
| Valve                       | F  |
| R 1 1/2"                    | 79 |
| 1 1/2" NPT                  | 89 |
| 1 1/2" NPT with test device | 89 |

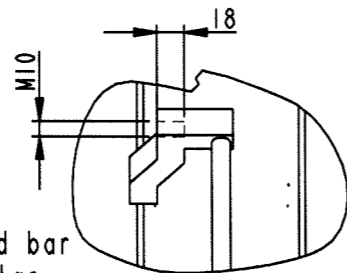
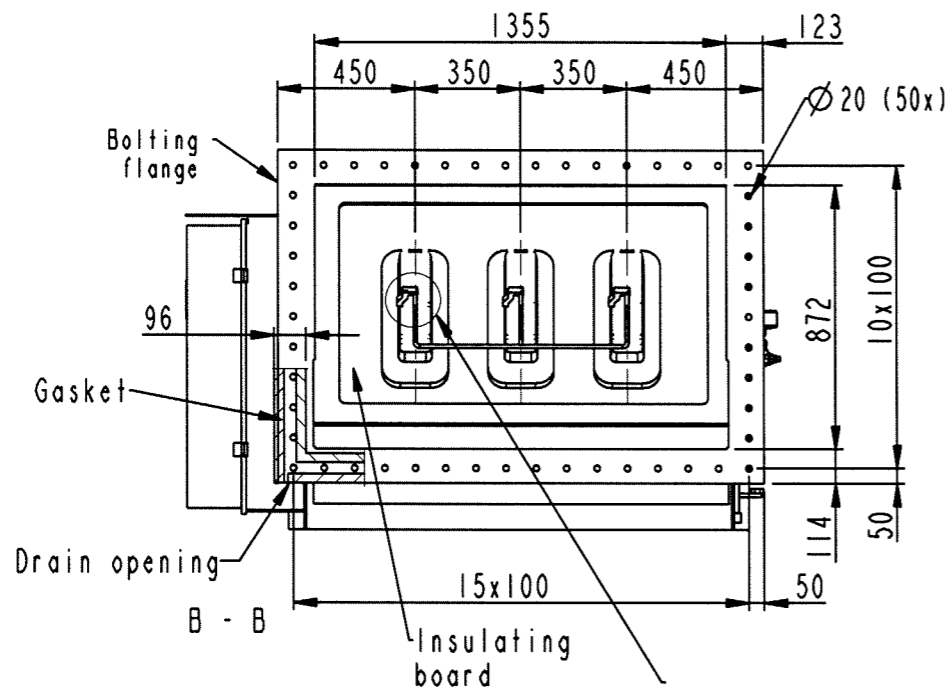


a) All flanges without accessories delivered with cover plates

Mass: 900 kg without oil  
 Required oil: 750 kg (860 litres)  
 Total mass: 1650 kg

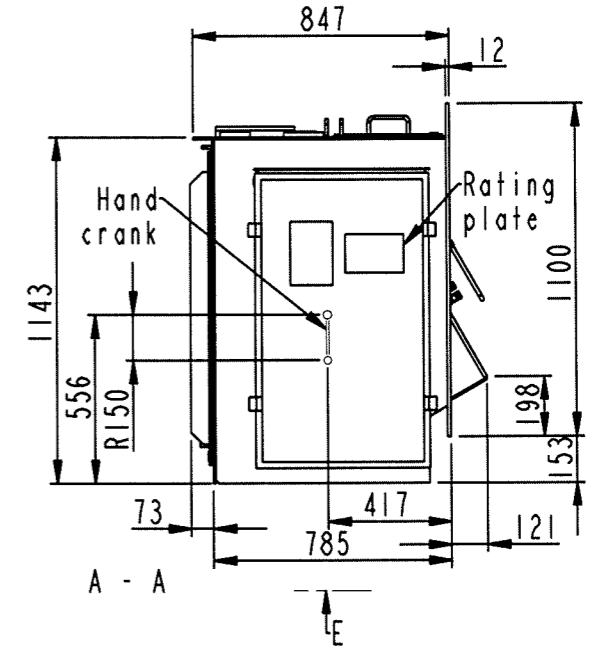
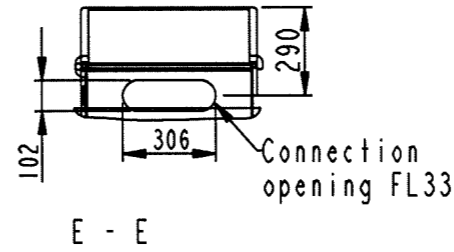
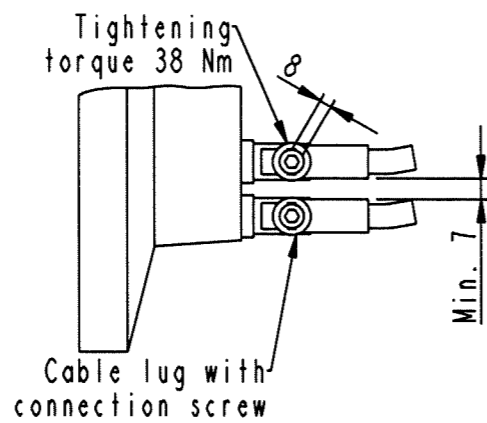
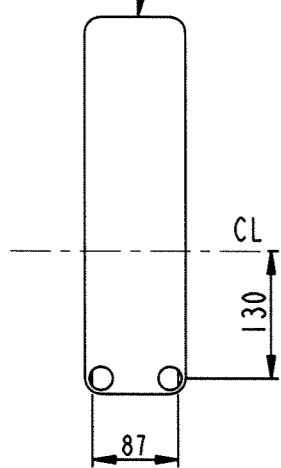
|                               |                                  |                               |                            |
|-------------------------------|----------------------------------|-------------------------------|----------------------------|
| Based on                      | Reg. No.                         | Title                         | Language<br>en             |
| Prepared<br>T Sapila 96-10-01 | Responsible department<br>COM/TK |                               |                            |
| Approved<br>M Eriksson        | Take over department             | UZF.N, UZF.T 380KV            | Page<br>1(2)               |
| Revision<br>Rev.E 10-01-11    | Database<br>DIMENSION_DWGS       | Standard tank. Bolting flange | Document No.<br>54920090-3 |
| <b>ABB</b> ABB Components     |                                  |                               |                            |

We reserve all rights in this document and in the information contained therein. Reproduction, use for disclosure to third parties without express authorisation is strictly forbidden. ©ABB

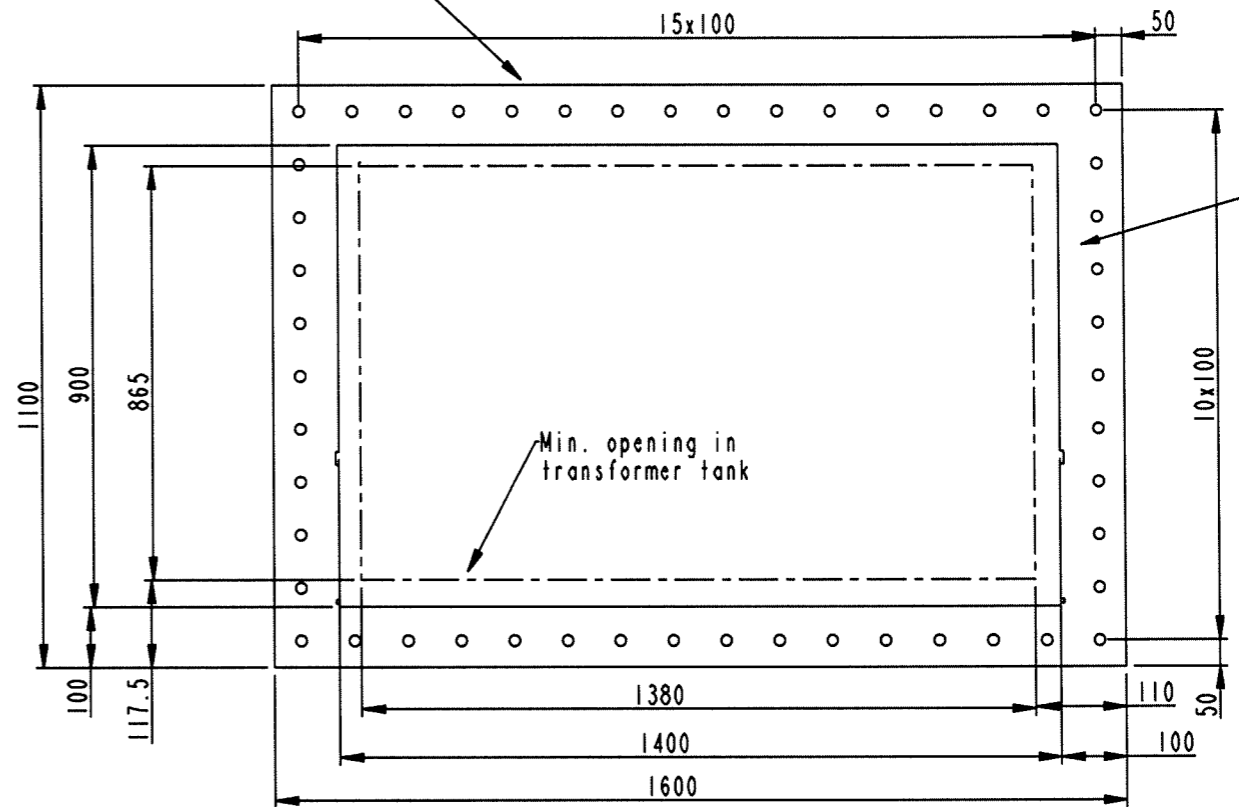


Neutral end bar only for star point type

Terminal board acc.to 5492 853E-42



Flange and opening in transformer tank



3  
1/100

**ADDITIONAL DRAWINGS:**  
 Connection Diagrams: See Technical Guide UZ  
 Accessories: 54920090-9  
 Pressure Relay: 54920083-2  
 Oil Conservator: 54920090-11

|                               |                                  |              |            |
|-------------------------------|----------------------------------|--------------|------------|
| Based on                      | Reg. No.                         | Title        | Language   |
| Prepared<br>T Sapila 96-10-01 | Responsible department<br>COM/TK |              |            |
| Approved<br>M Eriksson        | Take over department             | Page<br>2(2) |            |
| Revision<br>Rev.E 10-01-10    | Database<br>DIMENSION_DWGS       | Document No. | 54920090-3 |
| <b>ABB</b> ABB Components     |                                  |              |            |