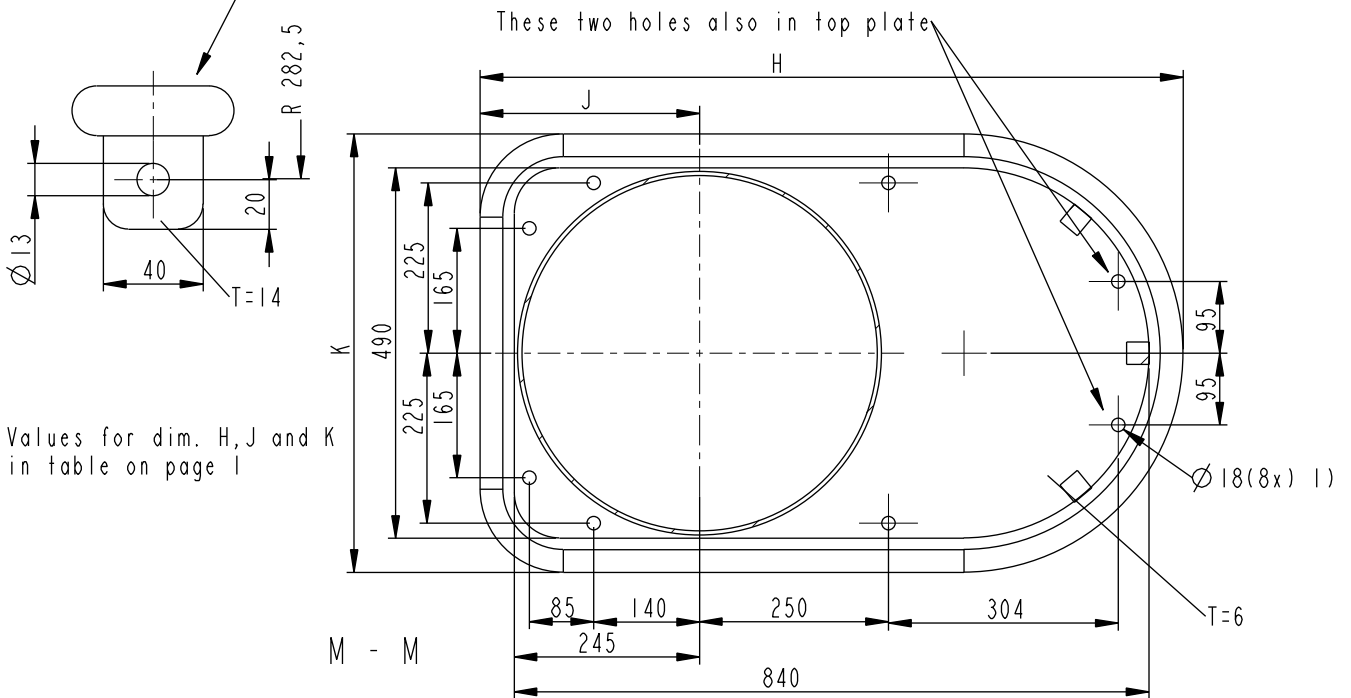
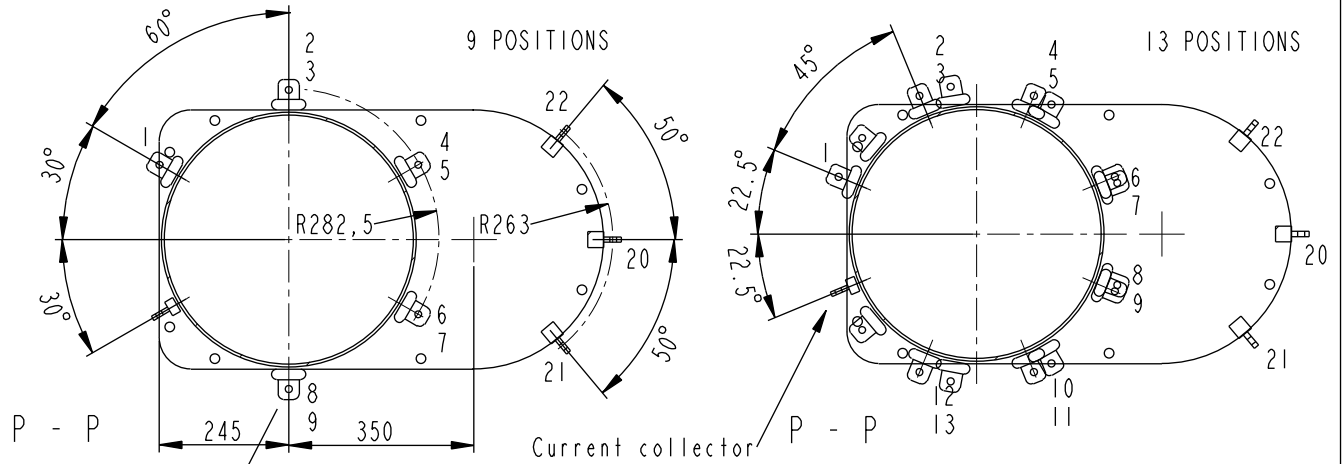




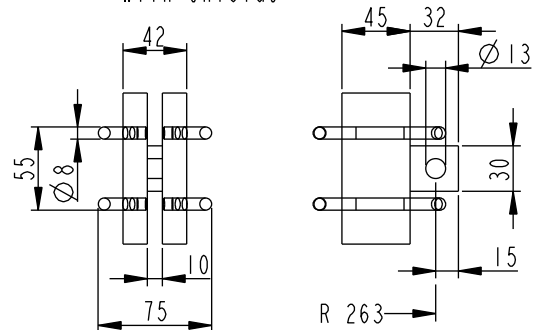
We reserve all rights in this document and in the information contained therein. Reproduction, use or disclosure to third parties without express authority is strictly forbidden. ©ABB



Values for dim. H, J and K in table on page 1

1) Holes for mounting of supports for cleats and leads

Tap selector contact 20,21,22 with shields



**ADDITIONAL DRAWINGS:**  
 Connection Diagrams: See Technical Guide UC  
 Mounting on active part: 54920086-1  
 Accessories: 54920086-2  
 Motor Drive BUL: 54830001-1  
 Motor Drive BUE: 54830001-2 or -3  
 External Drive Shaft: 54920083-4  
 Pressure Relay: 54920083-2  
 Bevel Gear: 54920083-1

Inspection engineering review	Production engineering review	Based on	Reg. No.	Title	
Design engineering review		Prepared B Hultgren 96-05-28	Responsible department COM/TK	TAP-CHANGER UCLR AND UCLD UCL.B(IPHASE),E,T XXXX/900/III	 Language en
		Approved M Eriksson	Take over department		
		Revision Rev.4 06-10-06	Database DIMENSION_DWGS	Document No.	54920085-15
		<b>ABB Components</b>			