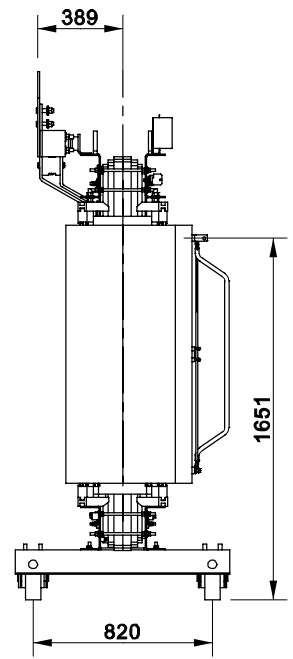
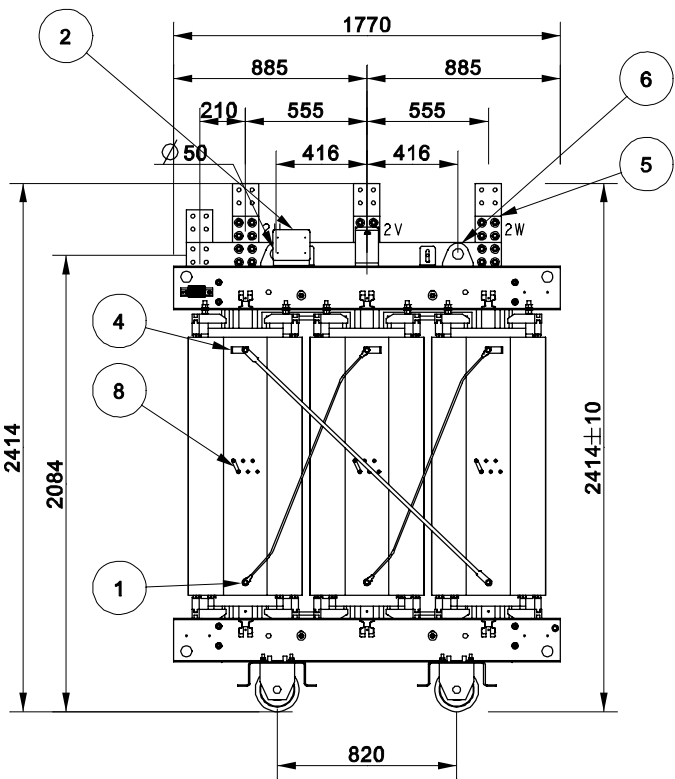


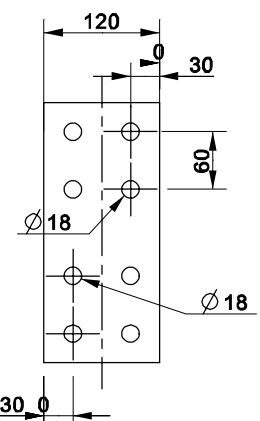
The information contained in this document is to be kept strictly confidential. Any unauthorized use, reproduction, distribution or disclosure is strictly forbidden. © Copyright 2013 ABB. All rights reserved.

4SmK\_24\_1250BkCo<sub>5</sub>

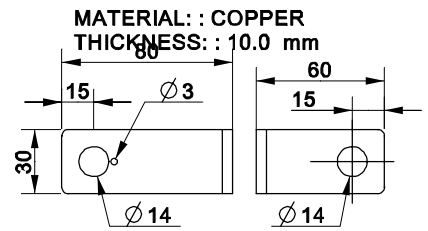
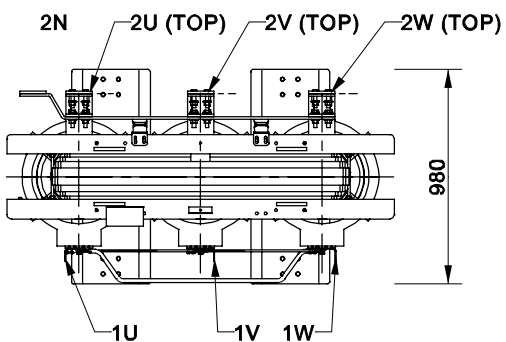


DESCRIPTION	
1	- CONNECTION BETWEEN PHASES
2	- CONTROL BOX
3	- EARTHING TERMINAL
4	- H.V. TERMINAL
5	- L.V. TERMINAL
6	- LIFTING LUGS
7	- RATING PLATE
8	- TAP CHANGER BY LINKS
9	- WHEELS Ø200x70

LV TERMINAL 2N-2U-2V-2W



WEIGHT	
TRANSFORMER	3021 kg
ACCESORIES	87 kg
TOTAL WEIGHT	3109 kg



MATERIAL : : COPPER  
THICKNESS : : 5.0 mm

TOLERANCES ACCORDING TO ISO 2768V

Prepared V.SANZ 25/06/2013		Responsible Department -	Classification	
Approved P.ESTELLA 25/06/2013		Takeover Department -	Title <b>CROQUIS</b> POWER (kVA):1250 , kV Class:24	
Rev. -	Scale 0.041	Mass 3108.6 kg	Based On FA000143	Cont. 2
ABB Distribution Transformers			Document No. <b>1LES251818-CR</b>	Sheet 1

Zone	Rev.	Description	Date	Approved