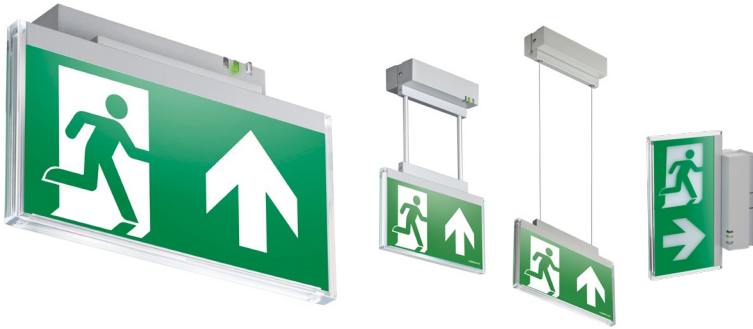


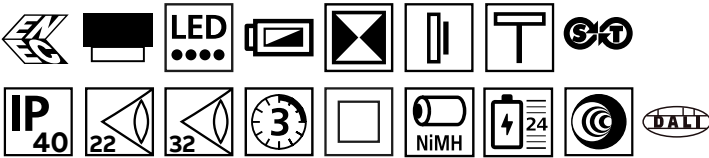
Guideway

Innovative & stylish



Guideway 22m and 32m - Surface

- Bright and uniformed light distribution with 500 cd/sq.m
- Versatile mounting options with First-Fix control gear
- Unique frameless legend design with click-lock assembly
- Quick release legend panels



Luminaire

Order code	Description	Input voltage	Lamp type	Power Operation		Environment temp. (°C)	Weight (kg)	Including
				consumption (VA/W)	/ duration (hrs)			
CTEG3LS1-S22	LED SIGN M3 CT-TST 22M	220-240 AC 50Hz	1 x LED 2W	4.4 / 4	3	5-35	1.5	
CTEG3LS1-S32	LED SIGN M3 CT-TST 32M	220-240 AC 50Hz	1 x LED 4W	7.1 / 6.5	3	5-35	1.6	
EG1LS1D-S22	LED SIGN CPS 230VAC DIM 22M	220-240 AC/DC 0-60Hz	1 x LED 2W	4.4 / 4	230V	0-35	1.5	
EG1LS1D-S32	LED SIGN SLAVE 230VAC DIM 32M	220-240 AC/DC 0-60Hz	1 x LED 4W	7.1 / 6.5	230V	0-35	1.6	
EG1LS1LTC-S22	LED SIGN CPS LTC 230VAC 22M	220-240 AC 50/60 HZ	1 x LED 2W	4.4 / 4	230V	0-35	1.5	
EG1LS1LTC-S32	LED SIGN SLAVE LTC 230VAC 32M	220-240 AC 50/60 H z	1 x LED 4W	7.1 / 6.5	230V	0-35	1.6	
EG1LS1-S22	LED SIGN CPS 230VAC 22M	220-240 AC/DC 0-60Hz	1 x LED 2W	4.4 / 4	230V	0-35	1.5	
EG1LS1-S32	LED SIGN SLAVE 230VAC 32M	220-240 AC/DC 0-60Hz	1 x LED 4W	7.1 / 6.5	230V	0-35	1.6	
EG3LS1-S22	LED SIGN M3 22M	220-240 AC 50Hz	1 x LED 2W	4.4 / 4	3	5-35	1.5	
EG3LS1-S32	LED SIGN M3 32M	220-240 AC 50Hz	1 x LED 4W	7.1 / 6.5	3	5-35	1.6	
DAEG3LS1-S22	LED SIGN M3 22M DALI	220-240 AC 50Hz	1 x LED 2W	4.4 / 4	3	5-35	1.5	
DAEG3LS1-S32	LED SIGN M3 22M DALI	220-240 AC 50Hz	1 x LED 4W	7.1 / 6.5	3	5-35	1.6	

Single sided

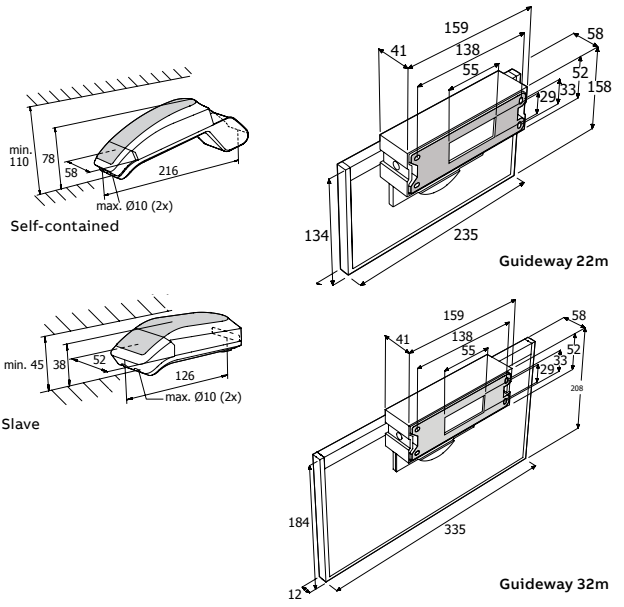
Part No.	Legends
ISO 7010 legend format	
XEN2EG22 or XEN2EG32	
XEN3EG22 or XEN3EG32	
XEN6EG22 or XEN6EG32	
XEN5EG22 or XEN5EG32	
XEN0G22 or XEN0G32	

Part No.	Legends
Arabic legend format	
XBN1EG22 or XBN1EG32	

ISO 7010 pictogram legends are shown.
Euro format & Special legends are available to order see pages 139-141

Flag mounted

Part No.	Legends
ISO 7010 legend format	
XEN602EG22 or XEN602EG32	
XEN603EG22 or XEN603EG32	
XEN606EG22 or XEN606EG32	
XEN605EG22 or XEN605EG32	



Accessories

Order code	Description
EG-TKIT50	Pendant 500
EG-TKIT100	Pendant 1000
EG-WKIT150	Wire suspension kit