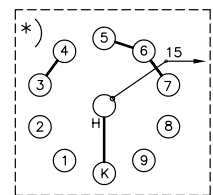
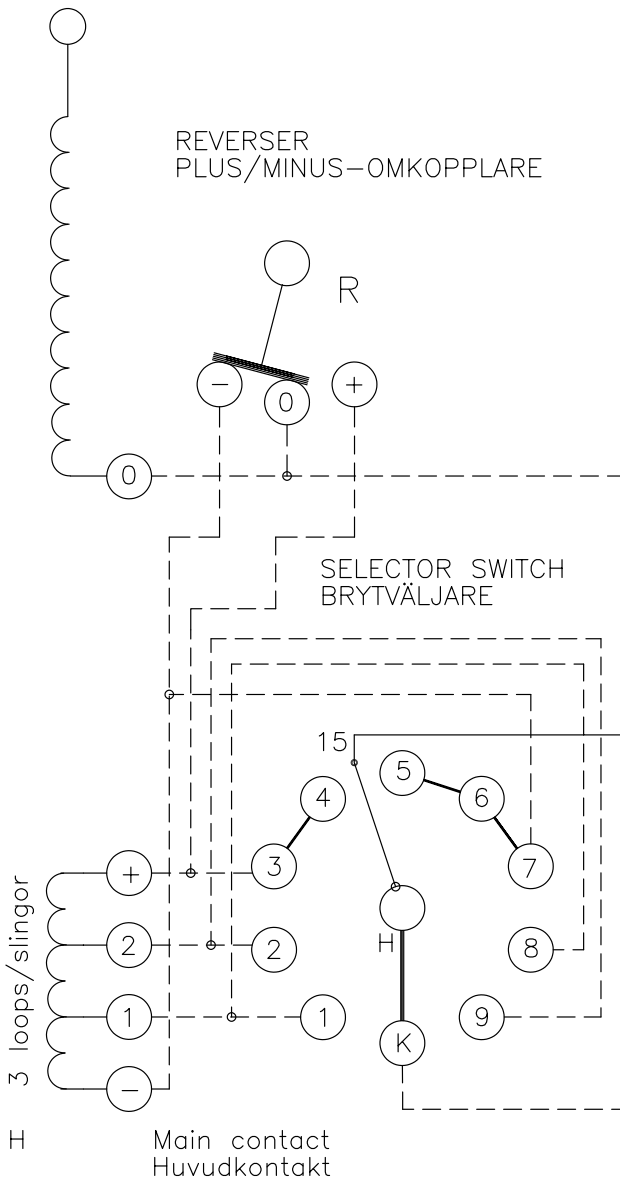


On-load tap-changer type VUBBR, UBBR,
7 tap positions, reverser.
Min effective No. of turns in pos 1.
The tap-changer is delivered set in pos 4,
the preceding pos. was 3.

Lindningskopplare typ VUBBR, UBBR, 7 lägen,
plus/minus-koppling.
Min antal effektiva varv i läge 1.
Lindningskopplaren levereras inställd i läge 4,
föregående läge var 3.

Pos Läge	R connects förbinder	H connects förbinder
1		3 - 15
2	0 - 0 -	2 - 15
3		1 - 15
4		K - 15
5		9 - 15
6	0 + 0 +	8 - 15
7		7 - 15



1) OUTPUT TERMINAL
STRÖMAVTAGNING

*) FOR VUBB TYPE OF OLTC
I VUBB UTFÖRANDE

1) Internal connections between the terminals 15 of the three phases are included in the star-point type. Connection between 3, 4 and 5, 6, 7 are included. Dashed lines show in delivery not included leads belonging to cleats and leads.

Inre förbindningar mellan uttag 15 i de tre faserna ingår i nollpunktsutförande. Förbindning mellan 3, 4 och 5, 6, 7 ingår. Streckade linjer visar i leveransen ej ingående ledare tillhörande anslutningsdonet.

We reserve all rights in this document and in the information contained therein. Reproduction, use or disclosure to third parties without express authority is strictly forbidden. © ABB '19

Sheet	Cont	Year	Week	Cont
Dept	Year	Week	Cont	
Rev Ind	Revision	Appd	Year	Week
Accepted by qual control	Accepted for prod by	Description (English)		DATAORIGINAL
R.Yngvesson		CONNECTION DIAGRAM		
Design checked by	Drawn by	Description (own language)		File name
B-O.Stenestam	L.Bergman	KOPPLINGSSHEMA		0391-1
Drawing checked by	Issued by Dept	Year	Week	Lang
M.Hedlund	COM/TKO	97	32	Sheet
		Asea Brown Boveri		1
Drawn by	Form No.	Rev Ind	Cont	
		2	-	

5492 0391-1