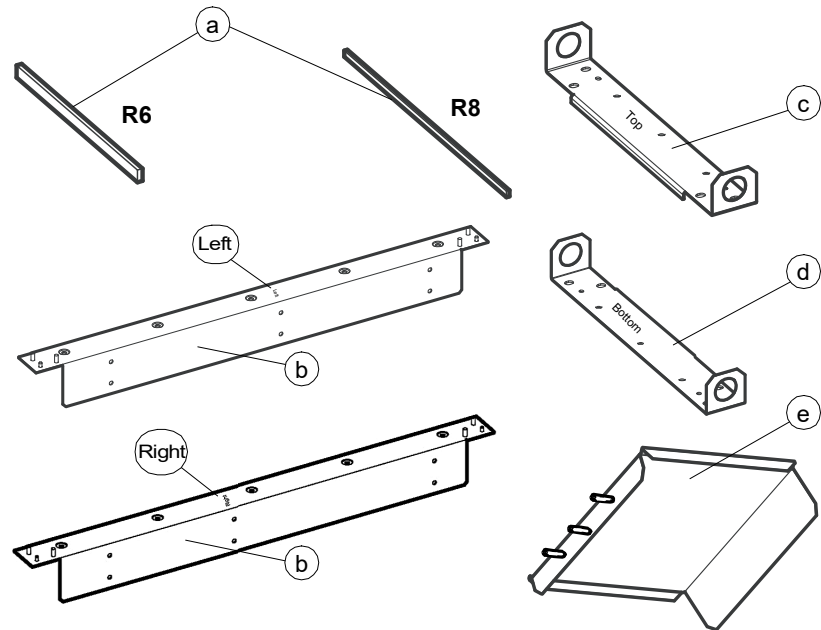


ABB parts

Available as option +C135. Also separately available for ACS880-11, ACS880-31, ACH580-31 and ACQ580-31 with ordering codes:
 3AXD50000179633 (R6)
 3AXD50000164318 (R8)



11 × M6 nut and washer

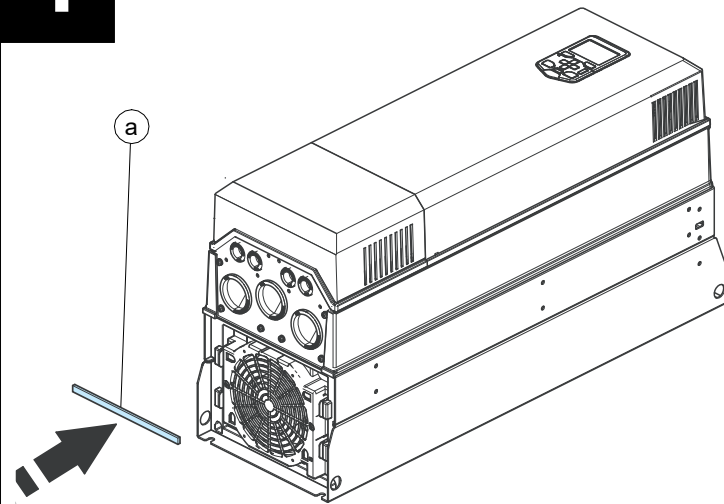
16 × M6×25 T25

R6: 12 × M6×10 T30
 R8: 16 × M6×10 T30

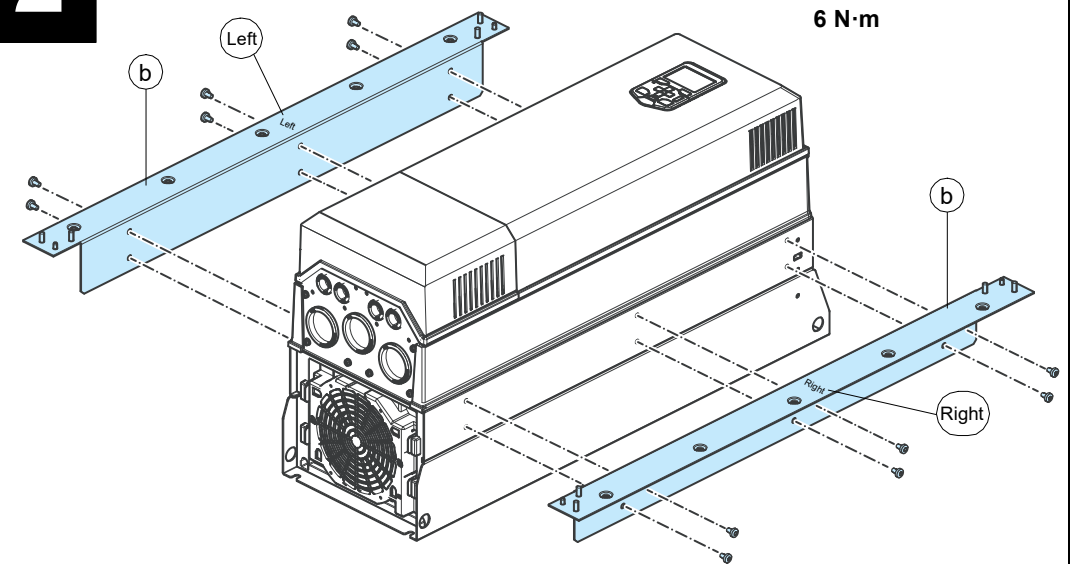
R6: 5 × M5×12 T20
 R8: 9 × M5×12 T20

Non-ABB parts:
 16 × M6 Rivet or Kalei nuts

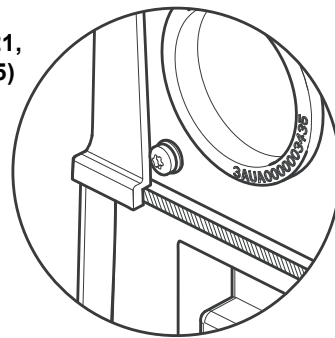
1



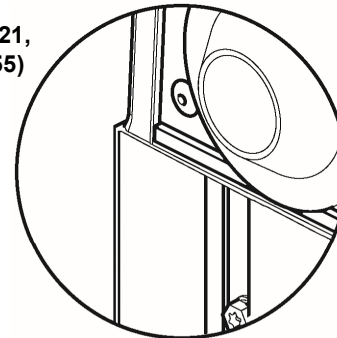
2



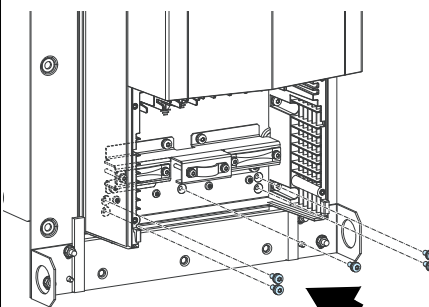
R6
 (IP21,
 IP55)



R8
 (IP21,
 IP55)

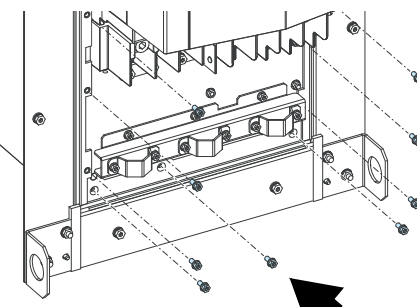


R6 (IP20)



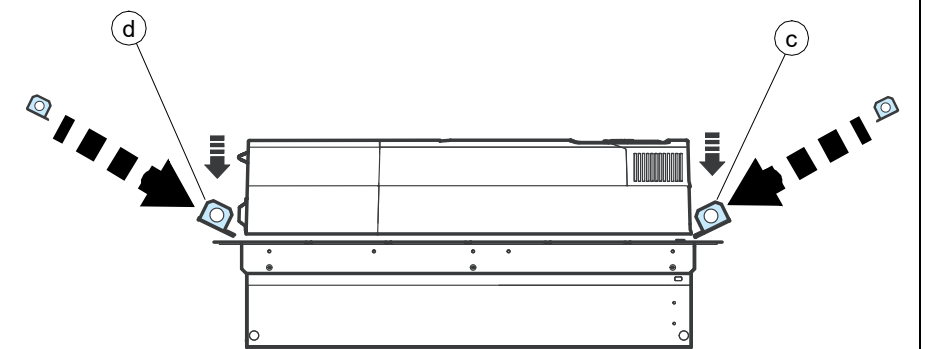
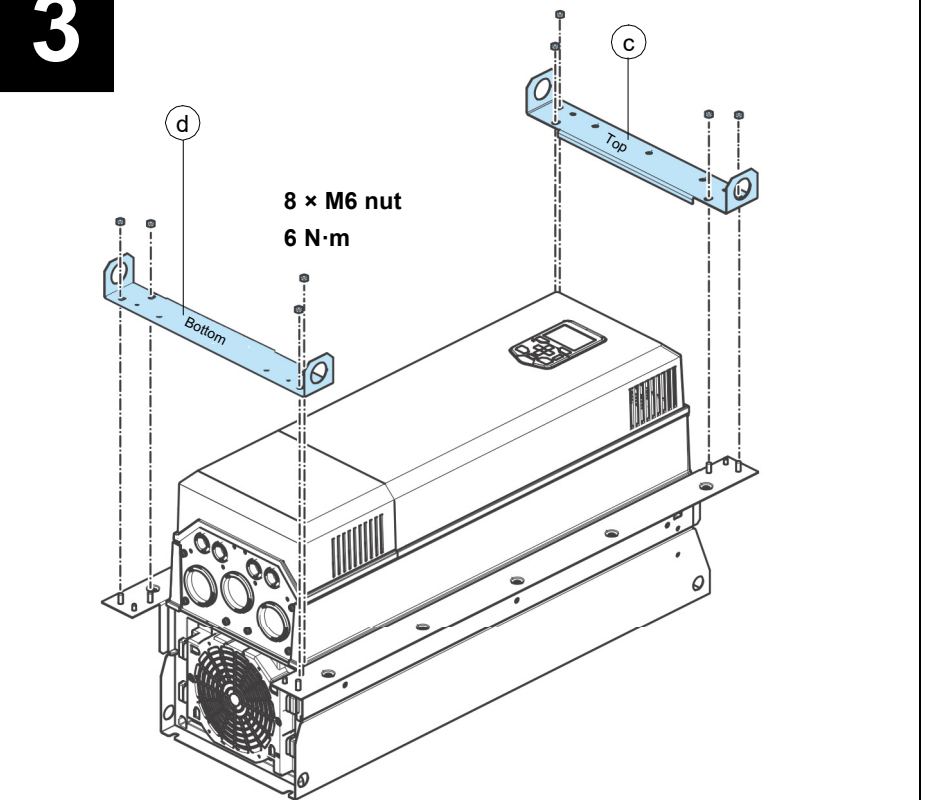
5 × M5×12 T20
 3 N·m

R8 (IP20)



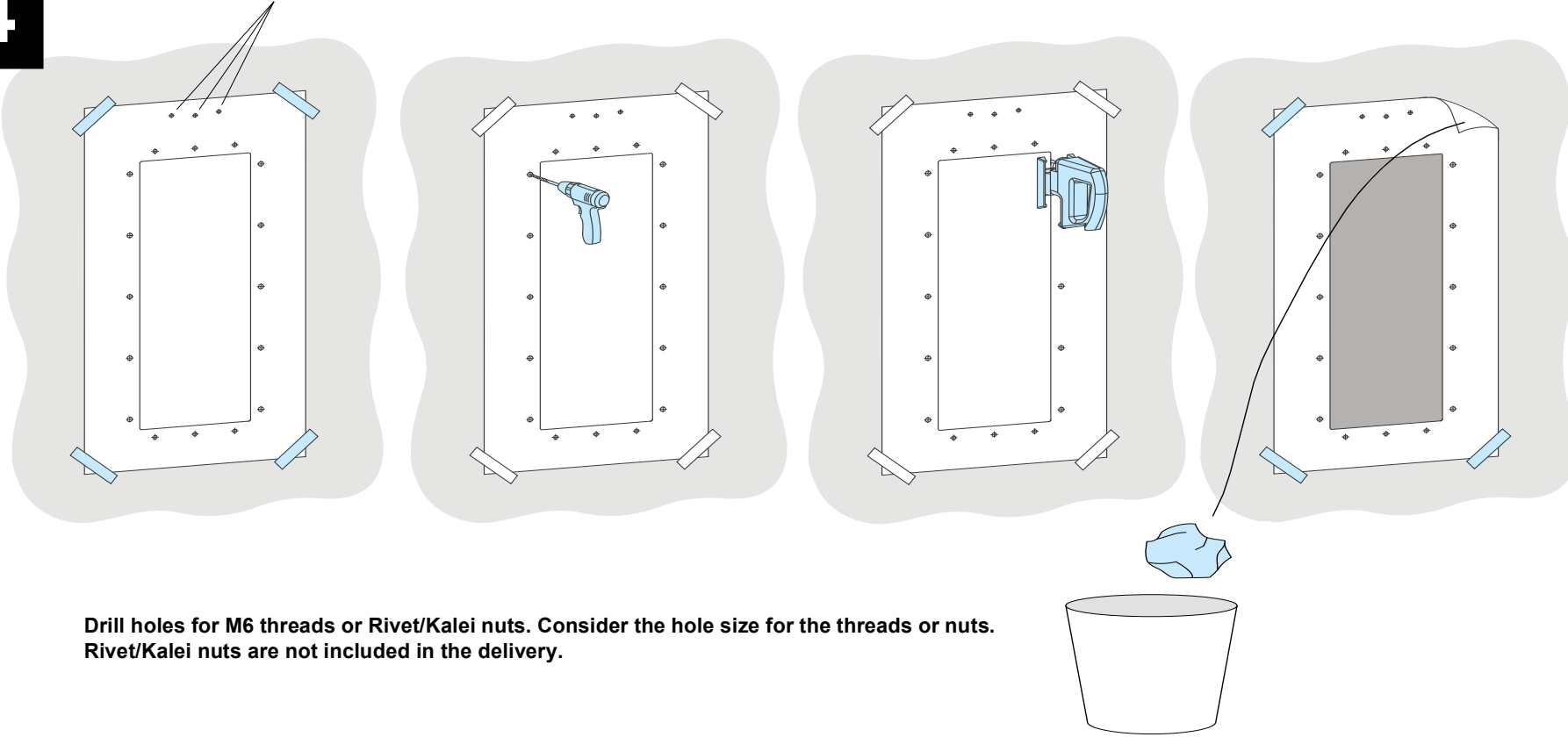
9 × M5×12 T20
 3 N·m

3



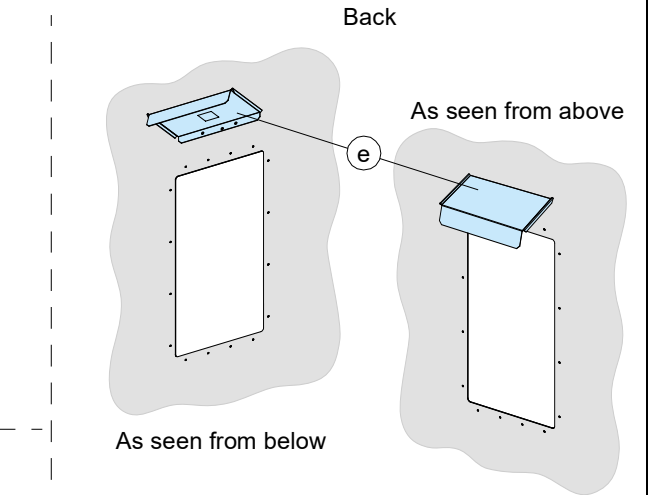
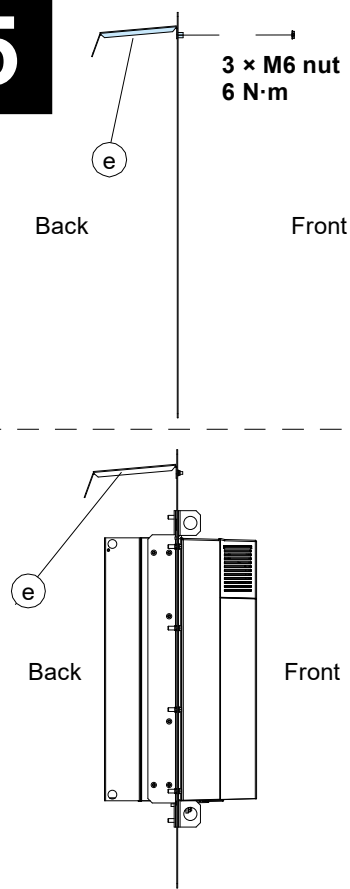
4

Note! Needed for UL Type 12 only (hood)

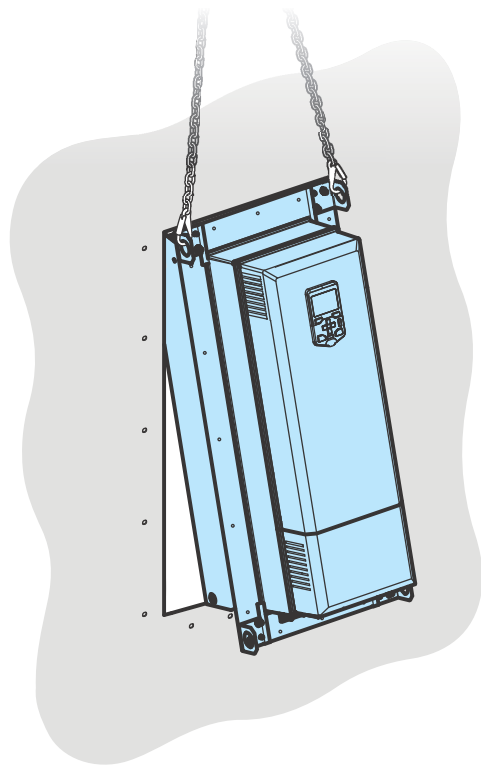


Drill holes for M6 threads or Rivet/Kalei nuts. Consider the hole size for the threads or nuts. Rivet/Kalei nuts are not included in the delivery.

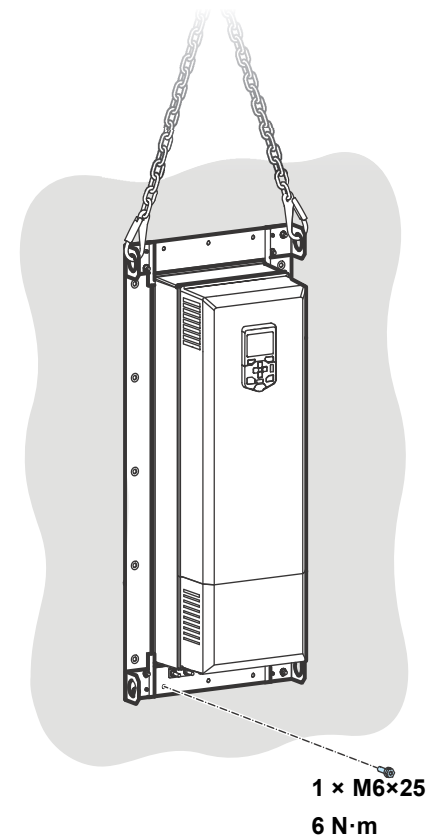
5



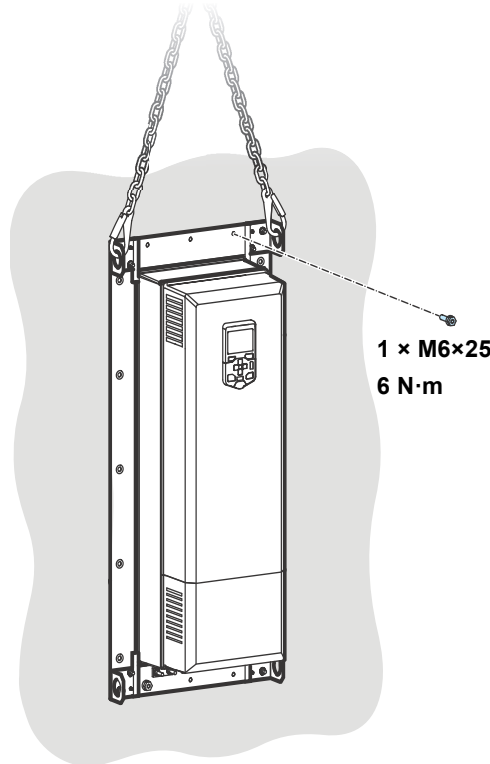
6



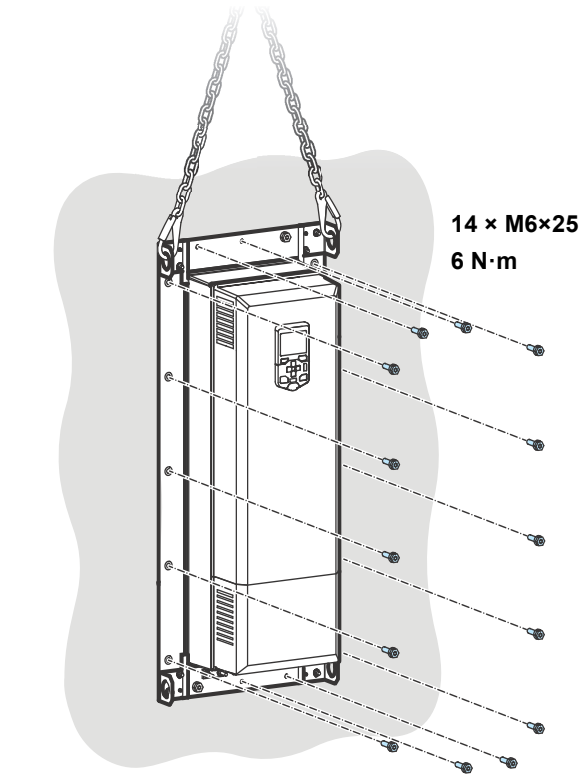
7



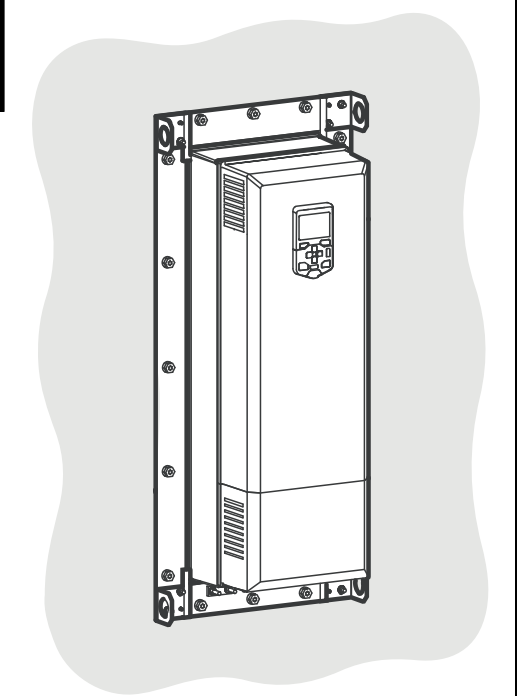
8



9



10



For dimensions, see the mounting template delivered with the flange mounting kit or ACS880-11...+C135, ACS880-31...+C135, ACH580-31...+C135 and ACQ580-31...+C135 drives with flange mounting kit supplement (3AXD50000349838 [English]).

Go to www.abb.com/drives.



[ACS880-11 manuals](#)



[ACS880-31 manuals](#)



[ACH580-31 manuals](#)



[ACQ580-31 manuals](#)