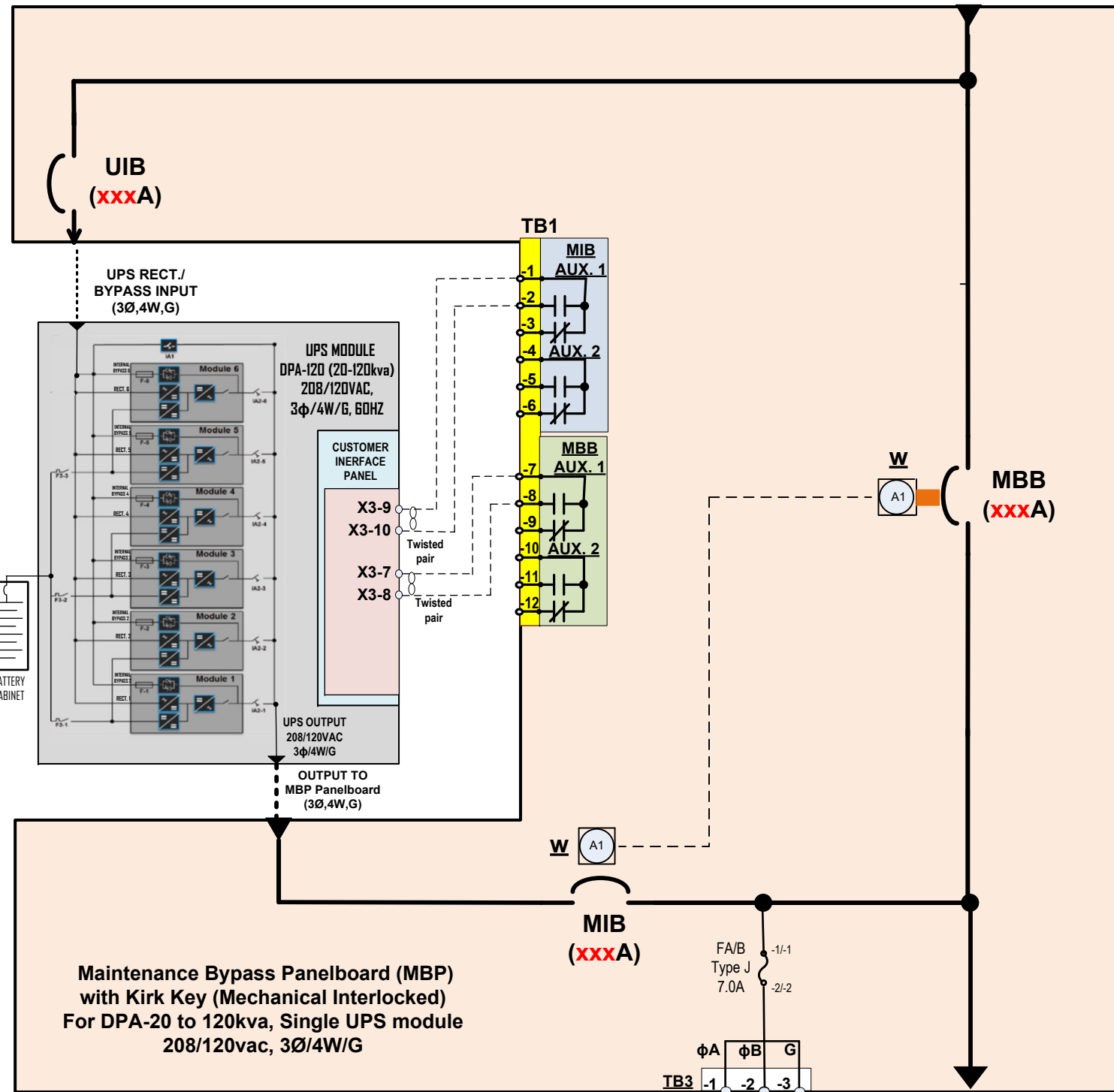


MAINT. BYP.
INPUT
208/120VAC
(3Ø,4W,G)



**Maintenance Bypass Panelboard (MBP)
with Kirk Key (Mechanical Interlocked)
For DPA-20 to 120kva, Single UPS module
208/120vac, 3Ø/4W/G**

Notes:

3-brk Maintenance Bypass Panelboard with Kirk key Interlocked (Wall mount) and TMGF breakers

- Wall mount **Make-Before-Break** Maintenance Bypass Panelboard (MBP), with Kirk Key for DPA-120 series UPS module, 208/120Vac, 3Ø/4W/G.
- Breakers in the MBC: Each breaker is molded case, manually operated breaker. Refer to **Table 1** for breaker current rating.
 - Module Isolation Breaker: MIB (xxxAT), 80% rated breaker.
 - Maintenance Bypass Breaker: MBB (xxxAT), 80% rated breaker.
 - UPS Input Breaker: UIB (xxxAT), 80% rated breaker.
- Breaker Accessories:
 - Aux contact: 2a/b on MIB & MBB breakers
 - Kirk Lock/key on MIB ("A1") and MBB ("A1")
 - Padlock provision on UIB only.
 - Breaker trip function: Fixed Thermal Magnetic (TMGF) Trip Function.
- Bus: Copper
- Neutral: 200%
- Control: Kirk key Interlocked. MIB/MBB breaker statuses
- Equipment ground
- Refer to national electric code for acceptable external wiring practice.
- The external wiring material and labor to be provided and paid by others.
- Refer to **Table 2** for control wiring from MBP to UPS module.
- To avoid a load dump or damage to the equipment, the transfer sequence instruction nameplate mounted to the MBP's door must be followed
- Power Supply (24vdc) input Power Harness kit: Refer to **Table 3** for wiring details
 - 16AWG wires (Black-φA/Red-φB/Green-G).
 - 2-pole Fuse block/ fuses: 7.0A type J, slow blow
 - 3-pole Terminal Block (φA, φB, and Ground)

Table 1: 3-brk Maintenance Bypass Panelboard (MBP) with Kirk key (Mechanical Interlocked) Fixed Thermal Magnetic (TMGF) Breaker Schedule

DPA-120 SCAL. UPS	MBP PART NUMBER	MBB/MIB (Trip/Frame)	UIB (Trip/Frame)	kAIC@ 240Vac	MBP Dimensions/Weight (W x D x H)/LBS	NOTES
DPA120/20KVA	79-5000-00000029	100AT/100AF	100AT/100AF	65	30" X10" X 36" 110 LBS	All Circuit Breakers are Molded Case, Manually Operated with FIXED THERMAL MAGNETIC (TMGF) Breakers.
DPA120/40KVA	79-5000-00000030	200AT/200AF	200AT/200AF	65		
DPA120/60KVA	79-5000-00000031	300AT/300AF	300AT/300AF	65	30" X11" X 42" 125 LBS	
DPA120/80KVA	79-5000-00000032	400AT/400AF	400AT/400AF	65		
DPA120/100KVA	79-5000-00000033	500AT/500AF	500AT/500AF	65	36" X13.5" X 48" 165 LBS	
DPA120/120KVA	79-5000-00000034	600AT/600AF	600AT/600AF	65		

Table 2- MIB & MBB Aux. Contact Wirings From MBP to UPS module

Terminating Point in MBP	Terminating Point in UPS	Wire Size	Maximum Volt. & Current	Circuit Function	Note
TB1-1	X3-9 (MIB N.O.)	18AWG	12Vdc	MIB status	Twisted pair
TB1-2	X3-10 (MIB N.O.)				
TB1-7	X3-7 (MBB N.O.)	18AWG	12Vdc	MBB status	Twisted pair
TB1-8	X3-8 (MBB N.O.)				

LEGEND:
MIB: UPS MODULE ISOLATION BREAKER
MBB: MAINTENANCE BYPASS BREAKER
UIB: UPS INPUT BREAKER
N: Neutral
G: Ground

Table 3- Power Supply Input Power Harness kit

Terminating Point in MBC	Terminating Point in MBC	Wire Size	Maximum Voltage	Circuit Function
MBC output- φA	FA-1 (φA)	16AWG	208Vac	Power Supply input harness to 24Vdc PS in the BC
MBC output- φB	FB-1 (φB)			
MBC output- GND	TB3-3 (GND)			
FA-2 (φA)	TB3-1 (φA)			
FB-2 (φB)	TB3-2 (φB)			

Revision:
1.0 Initial Revision
2.0 Add SKRU control CKT
3.0 Change the MBP part number
4.0 Change the MBP p/n and add Power Supply Power wire harness

Project Name: STD	Reference S/D Drawing: EPIS Critical Power	Equipment Part Number: See table 1
Issued by: PH	Issued date: 05/10/20	Scale: NONE
Revised by:	Revised date: 06/09/21	Rev. No.: 4.0
Drawing Title: 3-brk MBP w Kirk Key & TMGF MCCB for DPA-120, 208/120vac, UL, UPS module (C&C).		Drawing No.: 1-P3421D12SU0TK00C
Sheet No.: 1 of 1		