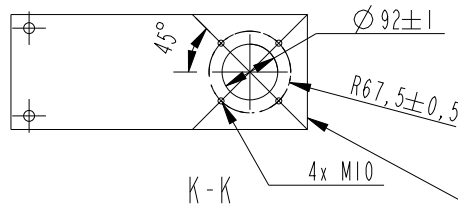
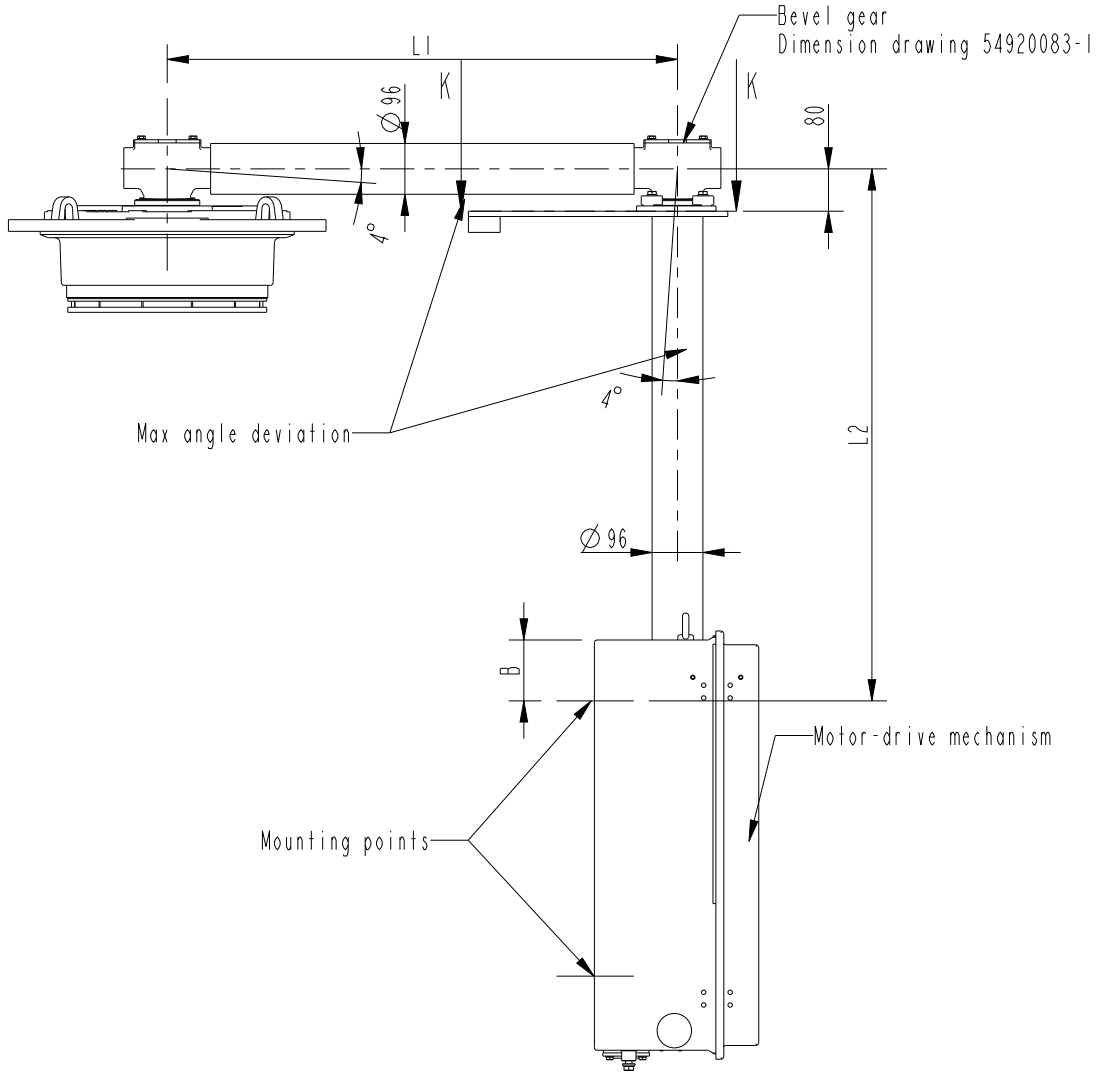


This document is issued by means of a computerized system.
 The digitally stored original is electronically approved. The
 approved document has a date entered in the 'Approved' -field.
 A manual signature is not required.



Drilling plan for collet jaws
 for mounting of bevel gear.

Type	Dimension B	Dimension drawing
BUE2	90	IZSC004106-AAH
	85	IZSC004106-AAJ
BUL2	40	IZSC004106-AAE

We reserve all rights in this document and in the information contained
 therein. Reproduction, use or disclosure to third parties without express
 authority is strictly forbidden. © Copyright 2015 ABB. All rights reserved.

Date / Approved
 2017-05-03

Responsible department
 PGCO/TK

Document Kind
 DIMENSION DRAWING



Title
 External shaft system for (V)UBB.N and (V)UBB.T

Document Id.
 54920088-9

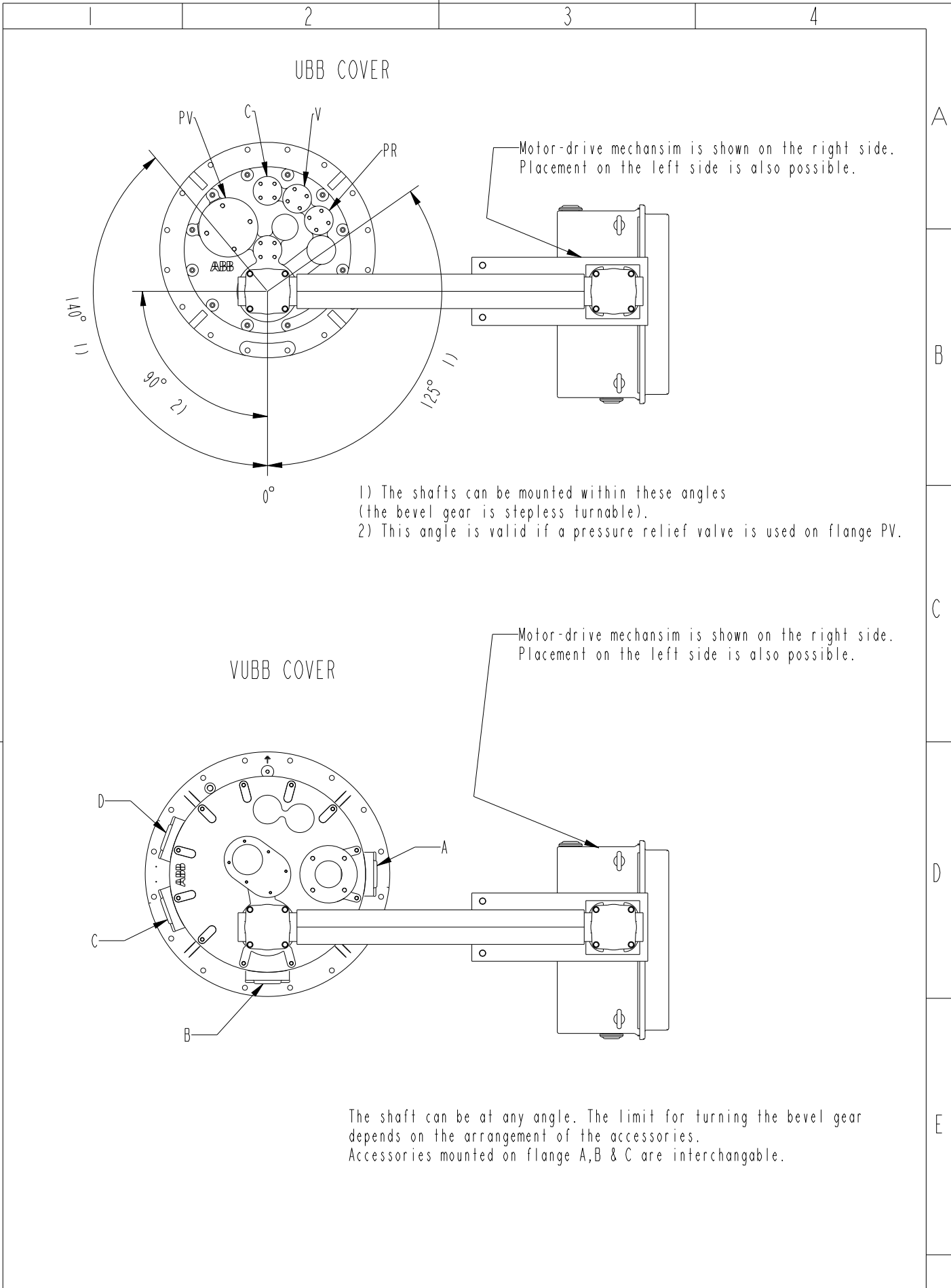
Revision
 B

Language
 EN

Sheet
 1/2

This document is issued by means of a computerized system.
 The digitally stored original is electronically approved. The
 approved document has a date entered in the 'Approved' -field.
 A manual signature is not required.

We reserve all rights in this document and in the information contained
 therein. Reproduction, use or disclosure to third parties without express
 authority is strictly forbidden. © Copyright 2015 ABB. All rights reserved.



- 1) The shafts can be mounted within these angles (the bevel gear is stepless turnable).
- 2) This angle is valid if a pressure relief valve is used on flange PV.

The shaft can be at any angle. The limit for turning the bevel gear depends on the arrangement of the accessories. Accessories mounted on flange A, B & C are interchangeable.

Date / Approved 2017-05-03		Responsible department PGCO/TK		Document Kind DIMENSION DRAWING			
		Title External shaft system for (V)UBB.N and (V)UBB.T					
		Document Id. 54920088-9			Revision B		Language EN