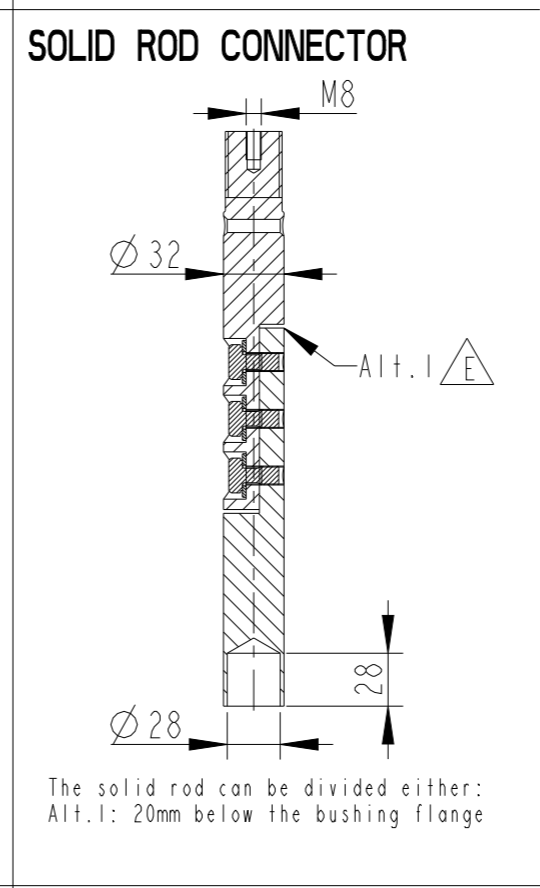
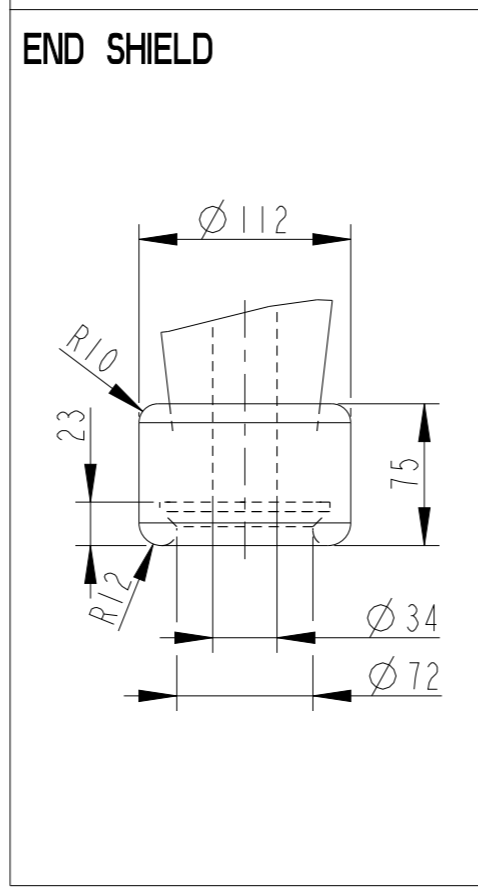
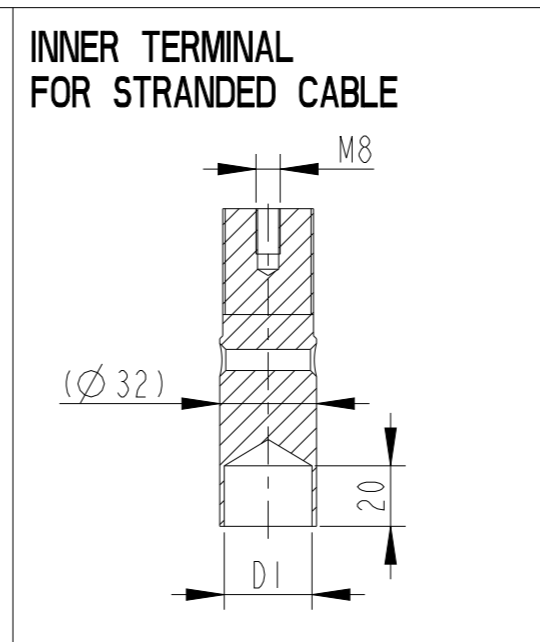
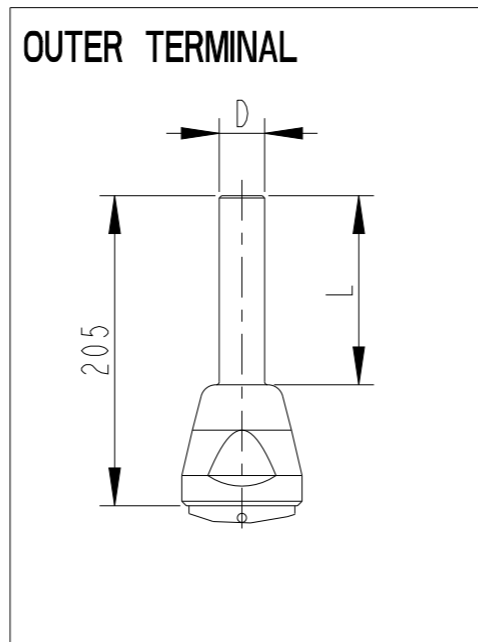
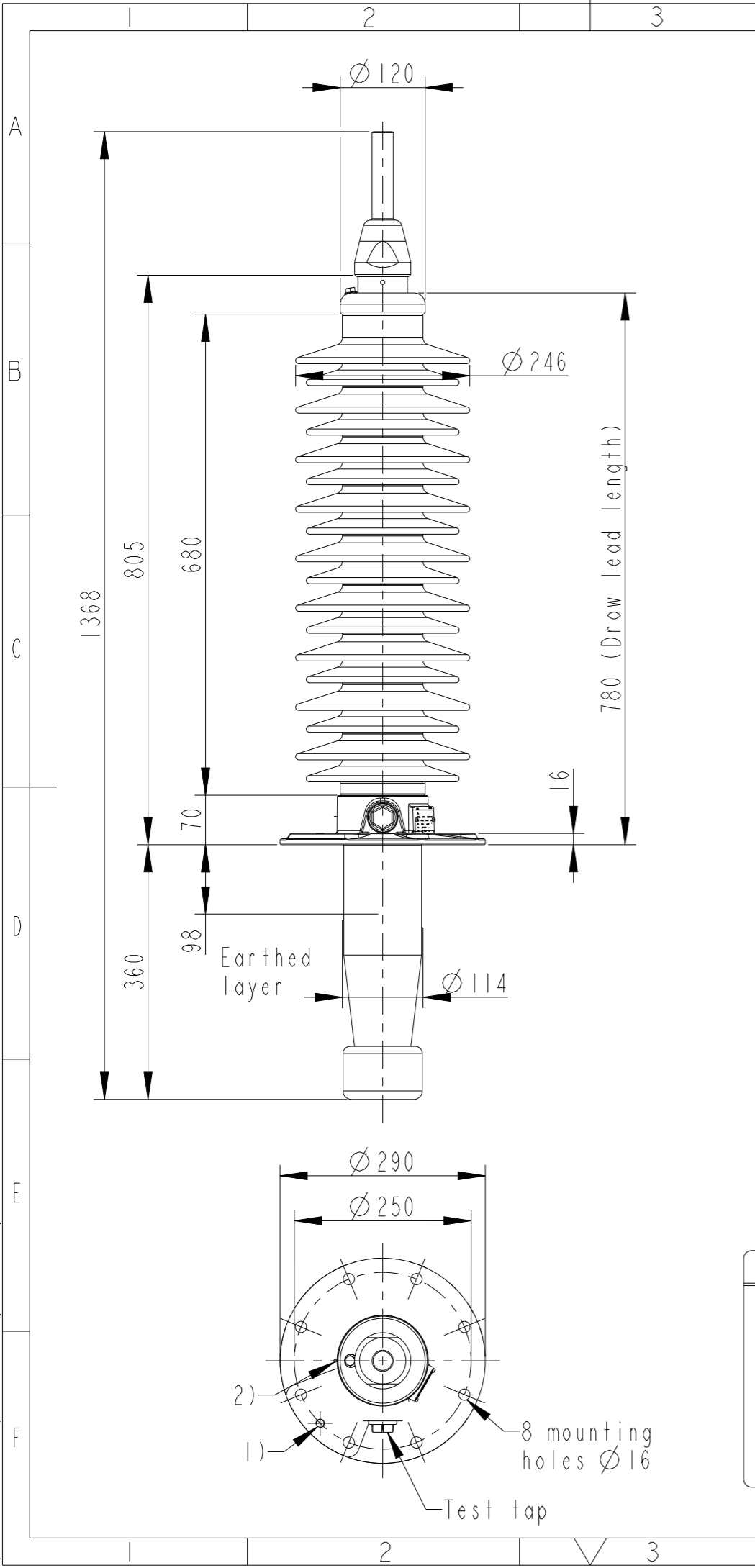


This document is issued by means of a computerized system. The digitally stored original is electronically approved. The approved document has a date entered in the "Approved"-field. A manual signature is not required.

We reserve all rights in this document and in the information contained therein. Reproduction, use or disclosure to third parties without express authority is strictly forbidden.

Revision	Revision text
E	Removed Alt.2, Changed the Phase to ground voltage from 72.5 to 58kV



### Bushing Data:

Rated Voltage	100	kV
Phase to Ground Voltage	58	kV
Dry Lightning Impulse 1,2/50μs	380	kV
Wetpower frequency AC	150	kV
Routine test Imin dry 50Hz	165	kV
Rated Current	1250	A
Creepage Distance	2500±70	mm
Creepage Distance Protected	980	mm
Mass	48	kg

### Ordering Data:

BUSHING	COLOUR	AIR INSULATOR
LF123041-K	BROWN	
LF123041-L	LIGHT GREY	
LF123041-HK	BROWN	Horizontal 45°-90°
LF123041-HL	LIGHT GREY	Horizontal 45°-90°

OUTER TERMINAL	Material	D	L
LF 170 002-B	Cu Alloy	∅ 30	125
LF 170 001-B	Al	∅ 30	125

OTHER TYPES ON REQUEST

INNER TERMINAL FOR STRANDED CABLE	Conductor area	D1
For brazing		
LF 170 011-T	up to 285mm <sup>2</sup>	∅ 29
LF 170 011-V	Undrilled with pilot hole	∅ 5

SOLID ROD CONNECTOR	Material
LF 170 052 -V for Alt.1	Cu

ABB		Ludvika, Sweden	
No.	kV Ir	A	50/60 Hz
Um	kV SL	kV AC	kV
BL	kg L	mm	°
M	pF Tan δ	x	
C1	pF Tan δ	x	
C2	pF Tan δ	x	

- M12 (For Earthing)
- ∅ 4 Oil connection hole (only valid for horizontal mounting)

Approved 2019-10-30	Document Kind Outline Drawing	Based on doc.id	Work order id	Project id
Company ABB Technology Ltd	Title, Supplementary title GOB 380-1250-0 WITHOUT OIL LEVEL GAUGE STD END SHIELD			
Responsible Department SEABB-9AAE300824	Document id 2751369-133	Status Released	Revision E	Iteration 1/1
<b>ABB</b>				