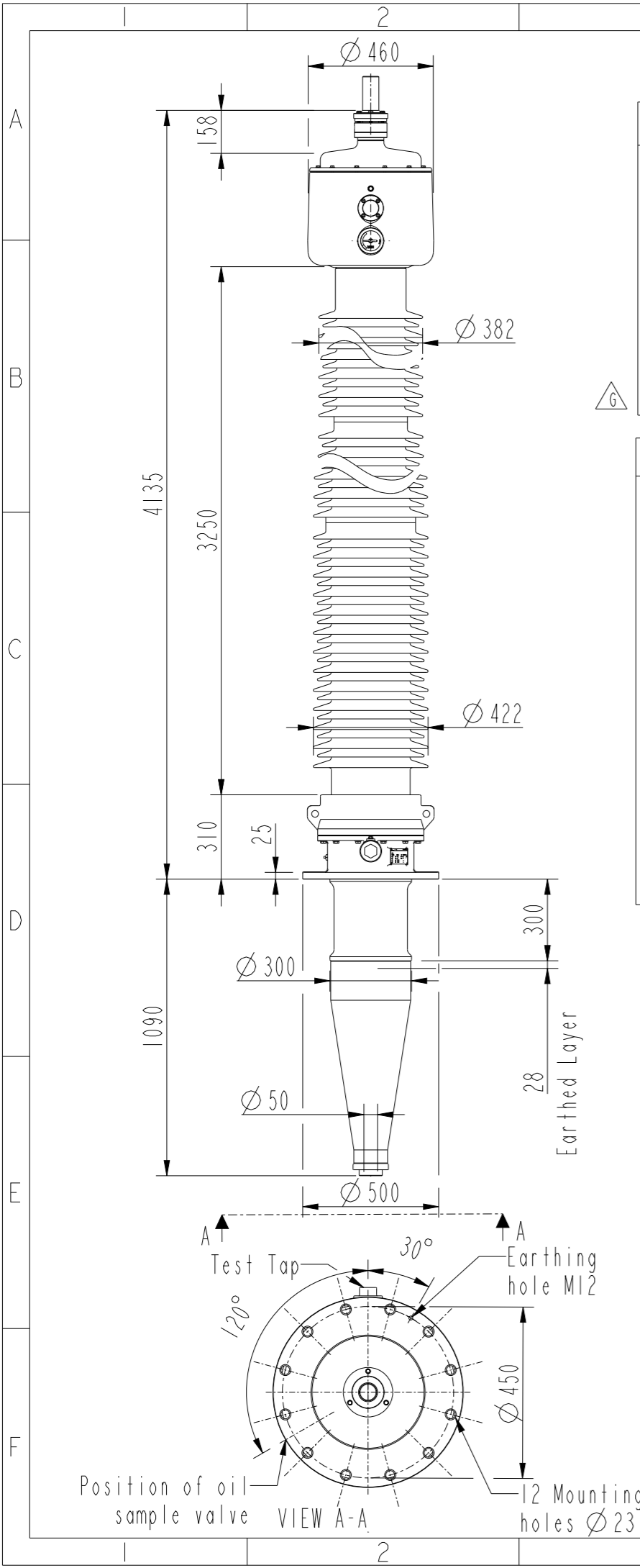


This document is issued by means of a computerized system. The digitally stored original is electronically approved. The approved document has a date entered in the "Approved"-field. A manual signature is not required.

We reserve all rights in this document and in the information contained therein. Reproduction, use or disclosure to third parties without express authority is strictly forbidden. © 2022 Hitachi Energy.



### Bushing Data:

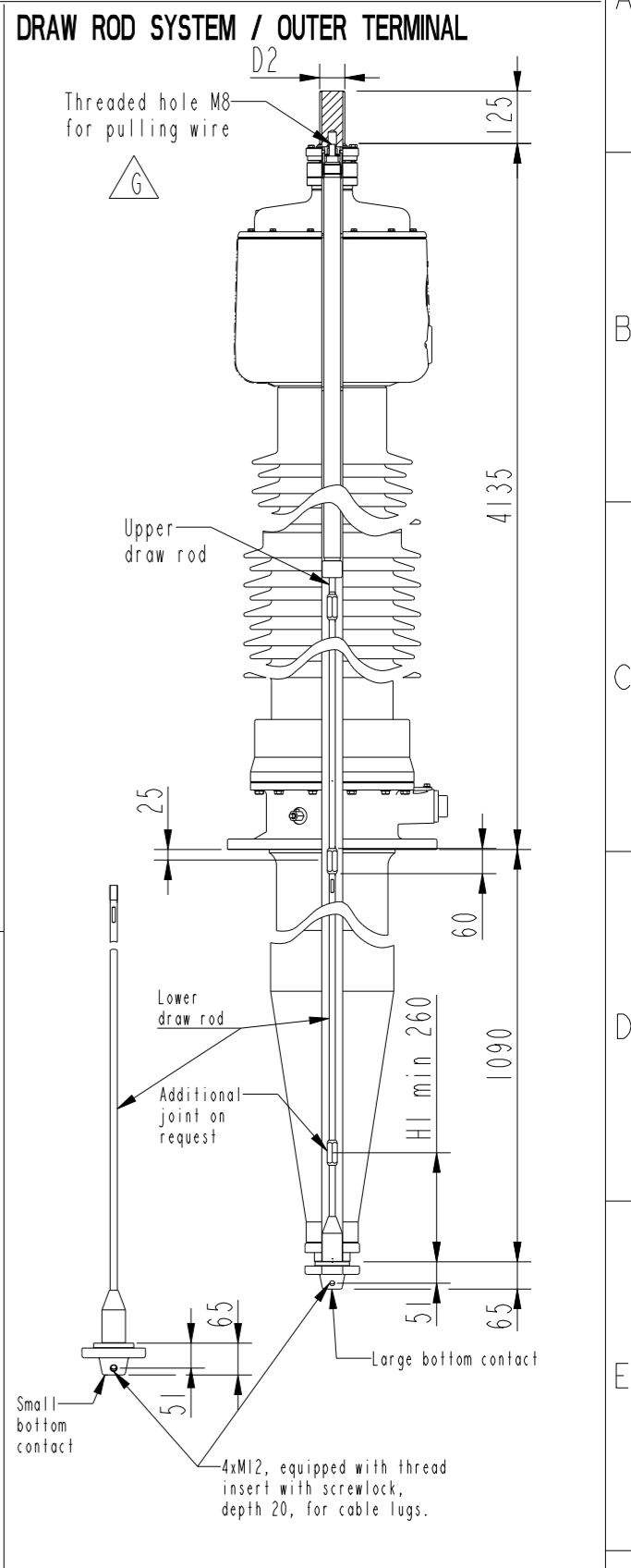
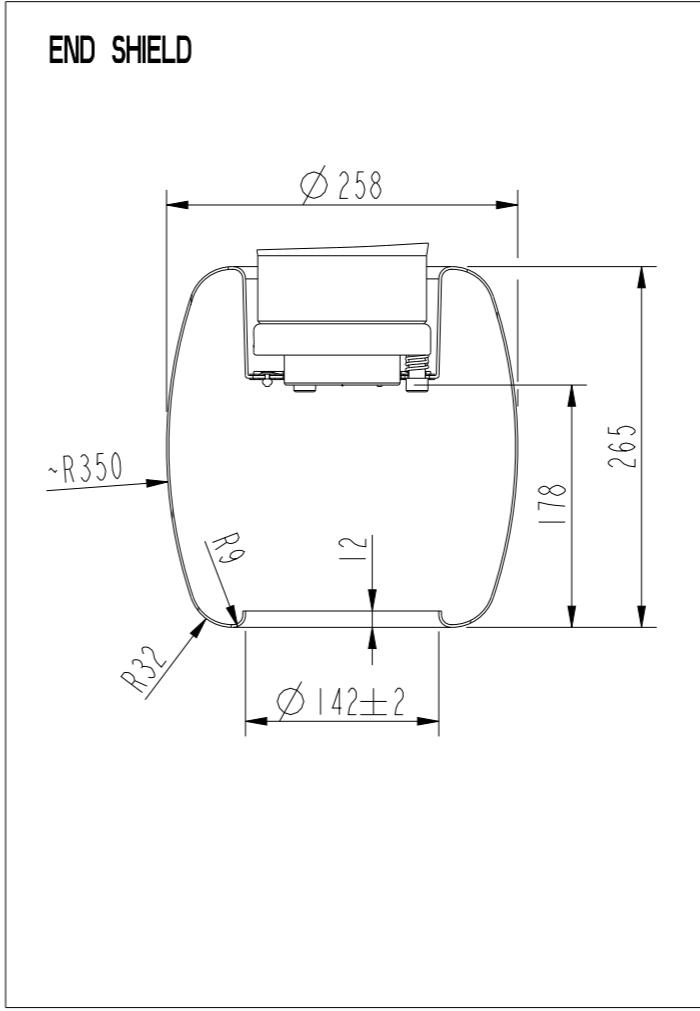
Rated Voltage	420 kV
Phase to-earth Voltage	243 kV
Dry Lightning Impulse 1,2/50µs	1425 kV
Wet Switching Impulse	1050 kV
Wet Power frequency AC	N.A. kV
Routine test Imin dry 50Hz	695 kV
Rated Current	1600 A
Creepage Distance Nominal	11750 mm
Creepage Distance Minimum	11400 mm
Mass	810 kg

### Ordering Data:

<b>BUSHING</b>		COLOUR AIR INSULATOR
IZSC903420-AAA		Brown
IZSC903420-AAC		Grey
<b>DRAW ROD SYSTEM</b>		
LF170 097		UPPER DRAW ROD
LF170 098		LOWER DRAW ROD
<b>OUTER TERMINAL</b>		Material D2 (mm)
LF170 090-A		Al Ø 30
LF170 090-B		Al Ø 60
LF170 090-C		Cu Ø 30
LF170 090-E		Cu Ø 60
LF170 090-G		Cu/Ag 2"-12UN
<b>END SHIELD</b>		
LF170 092-K		Epoxy insulated
LF170 092-L		Insulated with 3mm pressboard

Ludvika, Sweden					
No.					
Um/Uy	kV	Ir	A	50/60	Hz
BIL	kV	SL	kV	AC	kV
M	kg	L	mm	∠	°
C1	pF	Tan δ		x	
C2	pF	Tan δ		x	

Revision	Revision text
G	Inner terminal details removed & mass updated.



CREATED BY Dhanasekar P	CREATED ON 2022-09-20	APPROVED BY Natalia Gutman	APPROVED ON 2022-12-06
DOCUMENT KIND Assembly Drawing	TITLE / SUPPLEMENTARY TITLE GOE(2) 1425-1050-1600-0,3		
RESPONSIBLE DEPARTMENT SEABB-9AAE300824	GOE(2)-1425-1050-1600-0.3		
RESPONSIBLE COMPANY <b>Hitachi Energy Sweden AB</b>	DOCUMENT ID 2751369-332	STATUS Approved	REVISION G
		SHEET 1/1	