

# Manual motor starter MS165



Manual motor starters (also known as motor protection circuit breakers or manual motor protectors) are electromechanical protection devices for the main circuit mainly used to switch motors manually ON/OFF and protect them fuseless against short-circuits, overloads and phase failures.

Fuseless protection with a manual motor starter saves costs, space and ensures a quick reaction under short-circuit condition, by switching off the motor within milliseconds. Fuseless starter combinations are setup together with contactors.

## Description

- Overload protection – trip class 10
- Phase loss sensitivity
- Disconnect function
- Temperature compensation from -25 ... +60 °C
- Adjustable and sealable current setting for overload protection
- Suitable for three- and single-phase applications
- Trip-free mechanism
- Status indication for short-circuit trip
- Clear switch position indication ON/OFF/TRIP
- Lockable handle

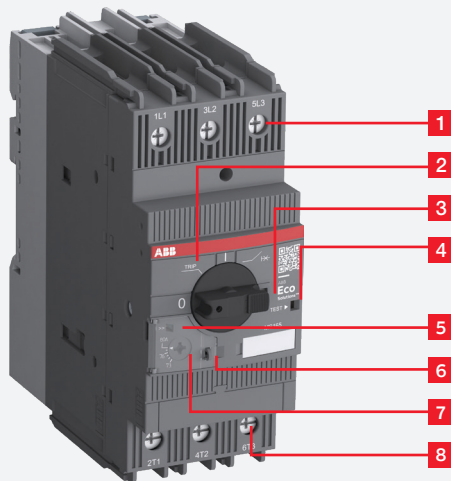


## Order data

MS165 screw terminals

Setting range	Rated operational power 400 V AC-3 kW	Type	Order code	Weight Pkg (1 pce) kg
A				
10 ... 16	7.5	MS165-16	1SAM451000R1011	0.95
14 ... 20	7.5	MS165-20	1SAM451000R1012	0.95
18 ... 25	11	MS165-25	1SAM451000R1013	0.96
23 ... 32	15	MS165-32	1SAM451000R1014	0.97
30 ... 42	22	MS165-42	1SAM451000R1015	0.97
40 ... 54	22	MS165-54	1SAM451000R1016	0.97
52 ... 65	30	MS165-65	1SAM451000R1017	0.98
62 ... 73	37	MS165-73	1SAM451000R1018	0.98
70 ... 80	45	MS165-80	1SAM451000R1019	0.98

Note: Manual motor starters should always be selected so that the actual motor current is within the setting range.



### Functional description

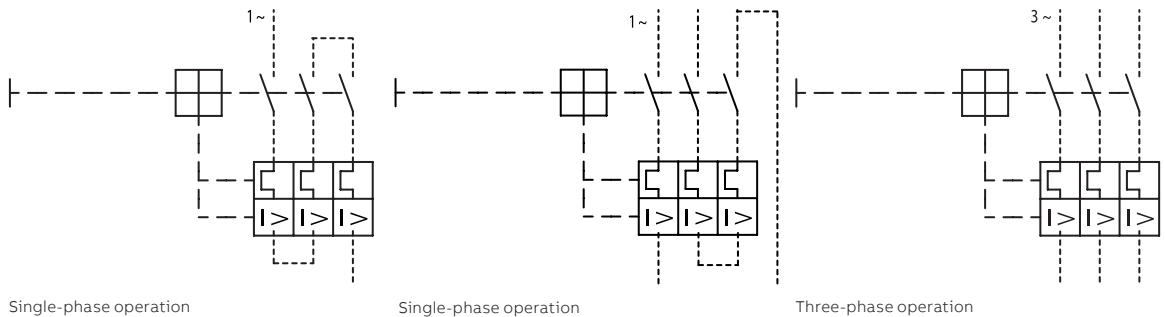
1. Terminals 1L1, 3L2, 5L3
2. Switch position TRIP
3. Lockable handle
4. Test function
5. Status indication for short-circuit
6. Sealable cover
7. Current setting range / Adjustable current setting for overload protection
8. Terminals 2T1, 4T2, 6T3

### Application

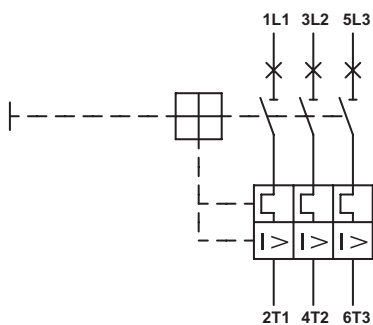
Manual motor starters (also known as motor protection circuit breakers or manual motor protectors) protect the load and the installation against short-circuits and overloads. They are three pole protection devices with thermal tripping elements for overload protection and electromagnetic tripping elements for short-circuit protection. Furthermore, they provide a disconnect function for safe isolation of the installation and the supply and they can be used for manual switching of loads.

Manual motor starters have a setting scale in amperes, which allows direct adjusting of the device without any additional calculation. In compliance with international and national standards, the setting current is the rated current of the motor and not the tripping current (no tripping at  $1.05 \times I$ , tripping at  $1.2 \times I$ ;  $I$  = setting current).

### Operation mode

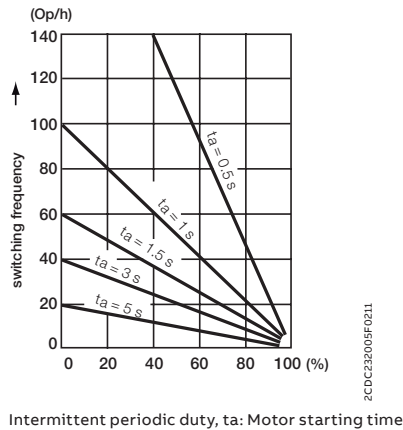


### Wiring diagram



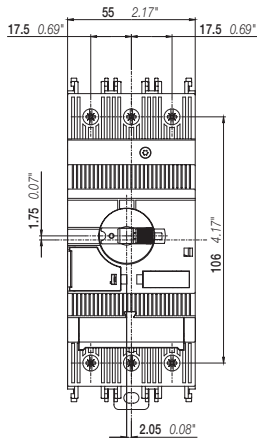
**Resistance and power loss per pole**

Type	Setting range		Resistance per pole mΩ	Power loss per pole	
	lower value A	upper value A		at lower value W	at upper value W
MS165-16	10	16	14.9	1.49	3.81
MS165-20	14	20	9.3	1.82	3.72
MS165-25	18	25	5.8	1.88	3.63
MS165-32	23	32	4.3	2.27	4.4
MS165-42	30	42	3.1	2.79	5.47
MS165-54	40	54	2.4	3.84	6.99
MS165-65	52	65	1.9	5.14	8.03
MS165-73	62	73	1.8	6.92	9.59
MS165-80	70	80	1.7	8.33	10.88

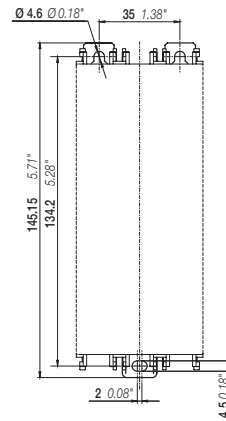
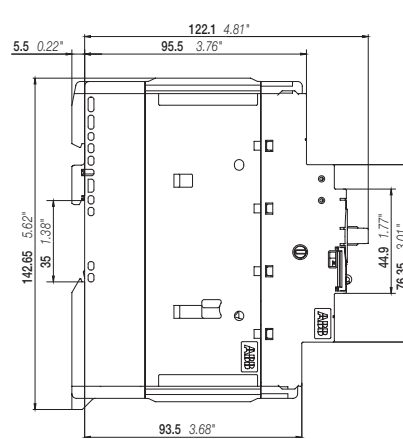


Intermittent periodic duty, ta: Motor starting time

**Main dimensions**  
in mm, inches



MS165



MS165 drilling plan

## Technical data IEC/EN

Data at  $T_A = 40\text{ °C}$  and at rated values, if nothing else indicated





### Main circuit

Terminal marking	1L1-3L2-5L3 2T1-4T2-6T3
Rated operational voltage $U_e$	690 V AC / 250 V DC (3 poles in series)
Setting range - thermal overload protection	see table "Order data" on page 1
Rated operational current $I_e$	see table below
Rated operational current DC-5 $I_e$ (250 V DC) 3 poles in series	see "Rated operational current $I_e$ "
Rated instantaneous short-circuit current setting $I_i$	see table below
Rated service short-circuit breaking capacity $I_{cs}$	see table "Short-circuit breaking capacity and back-up fuses" on page 6
Rated ultimate short-circuit breaking capacity $I_{cu}$	see table "Short-circuit breaking capacity and back-up fuses" on page 6
Rated service short-circuit breaking capacity DC $I_{cs}$ (250 V DC) 3 poles in series	100 kA
Trip class	10
Rated frequency	DC, 50/60 Hz
Frequency range	DC, 15 ... 415 Hz
Number of poles	3
Resistance per pole	see table "Resistance and power loss per pole" on page 3
Power loss per pole	see table "Resistance and power loss per pole" on page 3

### Isolation data

Rated impulse withstand voltage $U_{imp}$	8 kV
Rated insulation voltage $U_i$	1000 V
Pollution degree	3

### Electrical connection

 stranded	1 or 2 x	1 ... 50 mm <sup>2</sup>
 flexible with ferrule	1 or 2 x	1 ... 35 mm <sup>2</sup>
 flexible with ferrule insulated	1 or 2 x	1 ... 35 mm <sup>2</sup>
 flexible without ferrule	1 or 2 x	1 ... 35 mm <sup>2</sup>
Stripping length		16 mm
Tightening torque		4 Nm
Recommended screw driver		Pozidriv 2

Type	Rated instantaneous short-circuit current setting $I_i$ A	Rated operational current $I_e$ A
MS165-16	240	16
MS165-20	300	20
MS165-25	375	25
MS165-32	480	32
MS165-42	630	42
MS165-54	810	54
MS165-65	975	65
MS165-73	1022	73
MS165-80	1120	80

**General data**

Mechanical durability	50 000	
Electrical durability	25 000 (1)	
Duty time	100%	
Operating frequency without early tripping	up to 15 operations/h or 60 operations/h with 40% duty ratio, if the motor breaking current $6 \times I_n$ and the motor starting time does not exceed 1 s	
Dimensions (W x H x D)	see drawing "Dimensions" on page 3	
Weight	see table "Order data" on page 1	
Mounting on DIN rail	TH35-15 (35 x 15 mm Mounting Rail) acc. to IEC 60715 TH35-7.5 (35 x 7.5 mm Mounting Rail) acc. to IEC 60715	
Mounting position	position 1-6 (optional for single mounting)	
Group mounting	on request	
Minimum distance to other units same type	horizontal	0 mm
	vertical	150 mm
Minimum distance to electrical conductive board	horizontal, up to 400 V	0 mm
	horizontal, up to 690 V	> 1.5 mm
	vertical	75 mm
	housing / main circuit terminals	IP20 / IP10
Degree of protection	IP20 / IP10	
Utilization category	A	
Maximum operating altitude permissible	2 000 m	
Maximum operating frequency	50 cycles/h (2)	
Recommended screw for mounting plate	M4	
Screw torque for mounting plate	2 Nm	

(1) for MS165-73 and MS165-80: 20 000 (400 V AC-3/AC-3e) | for all MS165 types: 15 000 (690 V AC-3/AC-3e)

(2) for MS165-73 and MS165-80: 15 cycles/h

**Environmental data**

Ambient air temperature		
Operation	open - compensated	-25 ... +60 °C
	open	-25 ... +60 °C
Storage		-50 ... +80 °C
Ambient air temperature compensation		acc. to IEC/EN 60947-4-1
Resistance to vibrations acc. to IEC 60068-2-6	mounted on DIN-rail	4g / 3...150Hz
	mounted on mounting plate	5g / 3...150Hz
Resistance to shock acc. to IEC 60068-2-27		25g / 11 ms

**Standards / directives**

Standards	IEC/EN 60947-1 IEC/EN 60947-2 IEC/EN 60947-4-1 UL 60947-1 UL 60947-4-1 CSA-C22.2 No. 60947-1 CSA-C22.2 No. 60947-4-1
Low Voltage Directive	2014/35/EU
RoHS Directive	2011/65/EU incl. 2015/863/EU

### Short-circuit breaking capacity and back-up fuses

- Ics Rated service short-circuit breaking capacity  
 Icu Rated ultimate short-circuit breaking capacity  
 Iq (Icc) Rated conditional short-circuit current  
 - No back-up fuse required, because short-circuit proof up to Icu (for Icu see table below)

### Short-circuit breaking capacity and back-up fuses – MS165

Type	230 V AC			400 V AC			415 V AC			440 V AC			500 V AC			690 V AC			250 V DC (2)		
	Ics kA	Icu kA	gG A	Ics kA	Icu kA	gG A	Ics kA	Icu kA	gG A	Ics kA	Icu kA	gG A	Ics kA	Icu kA	gG A	Ics kA	Icu kA	gG A	Ics kA	Icu kA	gG A
MS165-16	100	100	-	100	100	-	100	100	-	75	75	125 (1)	40	40	125 (1)	10	10	63 (1)	100	100	-
MS165-20	100	100	-	100	100	-	100	100	-	75	75	125 (1)	40	40	125 (1)	10	10	63 (1)	100	100	-
MS165-25	100	100	-	100	100	-	100	100	-	50	50	125 (1)	30	30	125 (1)	10	10	80 (1)	100	100	-
MS165-32	100	100	-	100	100	-	100	100	-	50	50	125 (1)	30	30	125 (1)	10	10	100 (1)	100	100	-
MS165-42	50	50	125 (1)	50	50	125 (1)	50	50	125	50	50	125 (1)	30	30	125 (1)	10	10	100 (1)	100	100	-
MS165-54	30	50	125 (1)	30	50	125 (1)	30	45	125	30	45	125 (1)	20	20	125 (1)	6	8	100 (1)	100	100	-
MS165-65	30	50	125 (1)	30	50	125 (1)	30	45	125	30	45	125 (1)	20	20	125 (1)	6	8	100 (1)	100	100	-
MS165-73	30	30	200 (1)	30	30	200 (1)	18	18	200 (1)	18	18	200 (1)	10	10	200 (1)	6	8	160 (1)	100	100	-
MS165-80	30	30	200 (1)	30	30	200 (1)	18	18	200 (1)	18	18	200 (1)	10	10	200 (1)	6	8	160 (1)	100	100	-

(1) Maximum rated current of the back-up fuse for short circuit up to 100kA if Icc > Ics



(2) 3 poles in series

### Technical data UL/CSA

#### Main circuit

Maximum operational voltage	600 V
Motor ratings	Horsepower
	see table below
	Full Load Amps (FLA)
	see table below
	Locked Rotor Amps (LRA)
	see table below

#### Electrical connection

Type	MS165
Connecting capacity	
 stranded	1 or 2 x AWG 16-0
 flexible without ferrule	1 or 2 x AWG 16-0
Stripping length	16 mm
Tightening torque	35 lb-in
Recommended screw driver	Pozidriv 2
Recommended screw for mounting plate	M4
Screw torque for mounting plate	18 lb-in

Note: For UL listed, use 75°C stranded Cu wire only.

#### UL/CSA Motor ratings, single phase

Type	110-120 VAC			200 VAC			208 VAC			220-240 VAC		
	hp	FLA	LRA	hp	FLA	LRA	hp	FLA	LRA	hp	FLA	LRA
MS165-16	1	16	96	2	16	96	2	16	96	2	16	96
MS165-20	1 1/2	20	120	3	20	120	3	20	120	3	20	120
MS165-25	2	25	150	3	25	150	3	25	150	3	25	150
MS165-32	2	32	192	3	32	192	5	32	192	5	32	192
MS165-42	3	42	252	5	42	252	5	42	252	7 1/2	42	252
MS165-54	3	54	324	7 1/2	54	324	7 1/2	54	324	10	54	324
MS165-65	5	65	348	10	65	348	10	65	348	10	65	348
MS165-73	5	73	435	10	73	435	10	73	435	15	73	435
MS165-80	5	80	435	10	80	435	10	80	435	15	80	435

**UL/CSA Motor ratings, three phase**

Type	110-120 VAC			200 VAC			208 VAC			220-240 VAC			440-480 VAC			550-600 VAC		
	hp	FLA	LRA	hp	FLA	LRA	hp	FLA	LRA	hp	FLA	LRA	hp	FLA	LRA	hp	FLA	LRA
MS165-16	2	16	96	3	16	96	3	16	96	5	16	96	10	16	96	10	16	96
MS165-20	3	20	120	5	20	120	5	20	120	5	20	120	10	20	120	15	20	120
MS165-25	3	25	150	5	25	150	7 1/2	25	150	7 1/2	25	150	15	25	150	20	25	150
MS165-32	5	32	192	7 1/2	32	192	10	32	192	10	32	192	20	32	192	30	32	192
MS165-42	5	42	252	10	42	252	10	42	252	15	42	252	30	42	252	40	42	252
MS165-54	7 1/2	54	324	15	54	324	15	54	324	20	54	324	40	54	324	50	54	324
MS165-65	10	65	348	20	65	348	20	65	348	20	65	348	50	65	348	60	65	348
MS165-73	10	73	435	20	73	435	20	73	435	25	73	435	50	73	435	60	73	435
MS165-80	10	80	435	25	80	435	25	80	435	30	80	435	60	80	435	75	80	435

hp           Horsepower  
 FLA         Full Load Amps  
 LRA         Locked Rotor Amps

Note: Manual motor starters should always be selected so that the actual motor current is within the setting range; see ordering detail pages. Horsepower (hp) ratings are for reference only.

**Maximum short-circuit current ratings**

Type	Manual Motor Controllers								Manual self-protected Combination Motor Controllers (Type E)	
	Branch circuit protection, max. size per NEC/CEC (1)		for motor disconnect		for group installations		for tap conductor protection in group installations			
	Fuses	Circuit breaker	480 V	600 V	480 V	600 V	480Y / 277 V	600Y / 347 V	480Y / 277 V	600Y / 347 V
	A	A	kA	kA	kA	kA	kA	kA	kA	kA
MS165-16	Any listed fuses. Size per NEC/CEC	Any listed UL489 / CSA C22.2 No.5 circuit breaker. Size per NEC/CEC	65	30	65	30	65	30	65	30
MS165-20			65	30	65	30	65	30	65	30
MS165-25			65	30	65	30	65	30	65	30
MS165-32			65	30	65	30	65	30	65	30
MS165-42			65	30	65	30	65	30	65	30
MS165-54			65	30	65	30	65	30	65	30
MS165-65			65	30	65	30	65	30	65	30
MS165-73			50	10	50	10	50	10	50	10
MS165-80	50	10	50	10	50	10	50	10	-	

<sup>(1)</sup> NEC: NFPA®70 National Electrical Code®; CEC: CSA C22.1 Canadian Electrical Code.

**Maximum short-circuit current ratings – MS165 with AF contactors**

Type	Combination Motor Controller (Type F)				Combination Motor Controllers (Type F)			
	Coordination type 1		Coordination type 2		Coordination type 1		Coordination type 2	
	Minimum contactor size	480Y / 277 V	Minimum contactor size	600Y / 347 V	Minimum contactor size	480Y / 277 V	Minimum contactor size	600Y / 347 V
		kA		kA		kA		kA
MS165-16	AF09 ... AF38	65	AF09 ... AF38	50	AF26 ... AF38	65	AF09 ... AF38	30
MS165-20	AF26 ... AF38	65	AF26 ... AF38	50	AF26 ... AF38	65	AF09 ... AF38	30
MS165-25	AF26 ... AF38	65	AF26 ... AF38	50	AF26 ... AF38	65	AF40 ... AF65	30
MS165-32	AF26 ... AF38	65	AF26 ... AF38	50	AF26 ... AF38	65	AF40 ... AF65	30
MS165-42	AF40 ... AF65	65	AF40 ... AF65	30	AF40 ... AF65	65	AF40 ... AF65	30
MS165-54	AF40 ... AF65	65	AF40 ... AF65	30	AF40 ... AF65	65	AF40 ... AF65	30
MS165-65	AF40 ... AF65	65	AF40 ... AF65	30	AF40 ... AF65	65	AF40 ... AF65	30
MS165-73	AF80 ... AF96	50	-	-	AF80 ... AF96	50	-	-
MS165-80	AF80 ... AF96	50	-	-	AF80 ... AF96	50	-	-

NOTE : More coordination tables are available in our SOC (selected optimized coordination) tool: <https://applications.it.abb.com/SOC/Motor>.



---

**ABB AG – STOTZ-KONTAKT**  
**Electrification Business**  
**Low Voltage Products and Systems**  
Eppelheimer Str. 82  
DE-69123 Heidelberg  
Phone: +49 (0) 6221 7 01-0  
Fax: +49 (0) 6221 7 01-13 25  
E-Mail: [info.desto@de.abb.com](mailto:info.desto@de.abb.com)

---

**You can find the address of your local sales organization  
on the ABB home page**  
[https://new.abb.com/low-voltage/products/  
motor-protection/manual-motor-starter](https://new.abb.com/low-voltage/products/motor-protection/manual-motor-starter)

We reserve the right to make technical changes or modify the contents of this document without prior notice. With regards to purchase orders, the agreed particulars shall prevail. ABB AG does not accept any responsibility whatsoever for potential errors or possible lack of information in this document.

We reserve all rights in this document and in the subject matter and illustrations contained therein. Any reproduction, disclosure to third parties or utilization of its contents – in whole or in parts – is forbidden without prior written consent of ABB AG.

Copyright© 2026 ABB - All rights reserved