

ABB wind turbine converters

Supplement ACS800-67 power cabinet (+C112)



Power and productivity
for a better world™



List of related manuals

ACS800-67 manuals

Code (English)

<i>ACS800-67 wind turbine converters for asynchronous slip ring generators hardware manual</i>	3AFE68392454
<i>ACS800-67 wind turbine converters system description and start-up guide</i>	3AUA0000095094

Firmware manuals

<i>ACS800 IGBT supply control program firmware manual</i>	3AFE68315735
<i>ACS800 grid-side control program firmware manual</i>	3AUA0000075077
<i>ACS800-67(LC) doubly-fed induction generator control program firmware manual</i>	3AUA0000071689

Option manuals

Manuals for fieldbus adapters, etc.

You can find manuals and other product documents in PDF format on the Internet. See section [Document library on the Internet](#) on the inside of the back cover. For manuals not available in the Document library, contact your local ABB representative.

Supplement

ACS800-67 power cabinet (+C112)

Table of contents



Table of contents

List of related manuals	2
-------------------------------	---

1. Introduction to the supplement

What this chapter contains	7
Safety	7
Target audience	7
Purpose of the supplement	7
Contents of the supplement	8
Related documents	8
Categorization by option code	8

2. Operation principle and hardware description

What this chapter contains	9
General	9
Layout	10

3. Preventive maintenance

What this chapter contains	13
Replacing the rear IP22 air filter	13

Further information

Product and service inquiries	15
Product training	15
Providing feedback on ABB Drives manuals	15
Document library on the Internet	15





1

Introduction to the supplement

What this chapter contains

This chapter describes the intended audience and contents of the supplement.

Safety

For the safety instructions, see *ACS800-67 wind turbine converters for asynchronous slip ring generators hardware manual* [3AFE68392454 (English)]. You must follow the safety instructions when installing, operating and maintaining the power cabinet of the ACS800-67 wind turbine converter. If ignored, physical injury or death may follow, or damage may occur to the converter, the generator or driven equipment. Read the safety instructions before you work on the power cabinet.

Target audience

This supplement is intended for people who work on the power cabinet (option +C112) of the ACS800-67 wind turbine converter. Read the supplement before working on the power cabinet. For other instructions, see *ACS800-67 wind turbine converters for asynchronous slip ring generators hardware manual* [3AFE68392454 (English)]. The reader of the supplement is expected to know the standard electrical wiring practices, electronic components and electrical schematic symbols.

Purpose of the supplement

This supplement describes the operation and gives instructions on maintaining the power cabinet of the ACS800-67 wind turbine converter.

Contents of the supplement

The chapters of this supplement are briefly described below.

Operation principle and hardware description describes the operation and construction of the power cabinet.

Preventive maintenance contains preventive maintenance instructions for periodical maintenance.

Related documents

See *List of related manuals* inside of the front cover.

Categorization by option code

The instructions and data which concern only certain optional selections are marked with plus codes (eg, +C112). The options included in the delivery can be identified from the plus codes visible on the type designation label.



Operation principle and hardware description

What this chapter contains

This chapter describes the power cabinet option +C112 of the ACS800-67 wind turbine converter.

General

The power cabinet is an incoming unit for the ACS800-67 wind turbine converter. The power cabinet contains main switching and disconnecting devices such as main circuit breaker and stator circuit contactor and connection terminals to the power supply network and generator stator. The power cabinet is an integral part of the converter line-up.

Power cabinet option +C112 is optimized for 1.5 MW wind turbine use. In this option the protection class of the rear air filter is IP22. Option +C112 contains protection switches F171 and F172, and overtemperature thermostat T105.6. There is also an additional protection shield between main circuit breaker MCB1 and stator contactor MCB2. Cabinet heaters are moved to a better position to improve air flow during heating. Also shrouds are improved for better protection.

Layout

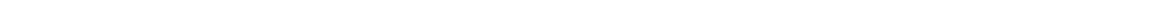


No.	Description
1	Stator contactor
2	Main circuit breaker
3	Cabinet heaters
4	Grid cable lead-throughs
5	Grid cable connection terminals



No.	Description
1	AC fuses
2	Cabinet heaters
3	Stator cable lead-throughs
4	Stator cable connection terminals

12 *Operation principle and hardware description*



3

Preventive maintenance

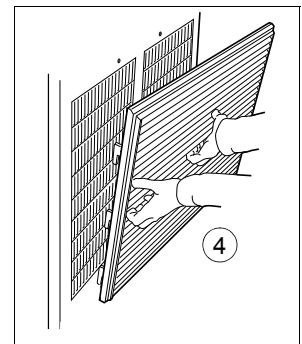
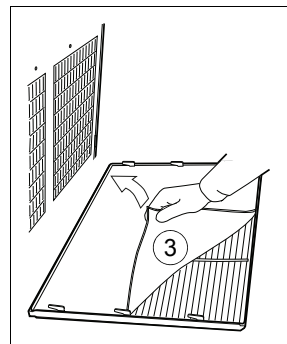
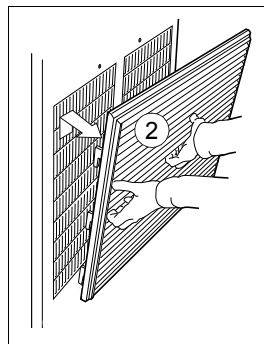
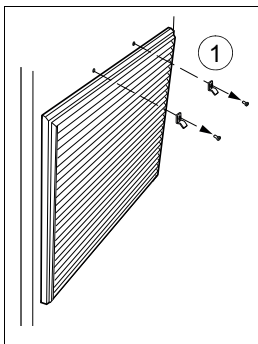
What this chapter contains

This chapter contains preventive maintenance instructions.

Replacing the rear IP22 air filter

IP22 air filter is located on the upper part of the power cabinet rear side.

1. Remove the fasteners at the top of the grating.
2. Lift the grating and pull it away from the cabinet.
3. Replace the air filter mat.
4. Install the grating in reverse order.



Further information

Product and service inquiries

Address any inquiries about the product to your local ABB representative, quoting the type designation and serial number of the unit in question. A listing of ABB sales, support and service contacts can be found by navigating to www.abb.com/drives and selecting *Sales, Support and Service network*.

Product training

For information on ABB product training, navigate to www.abb.com/drives and select *Training courses*.

Providing feedback on ABB Drives manuals

Your comments on our manuals are welcome. Go to www.abb.com/drives and select *Document Library – Manuals feedback form (LV AC drives)*.

Document library on the Internet

You can find manuals and other product documents in PDF format on the Internet. Go to www.abb.com/drives and select *Document Library*. You can browse the library or enter selection criteria, for example a document code, in the search field.

Contact us

www.abb.com/windpower

3AUJA0000119404 Rev A (EN) 2012-04-13