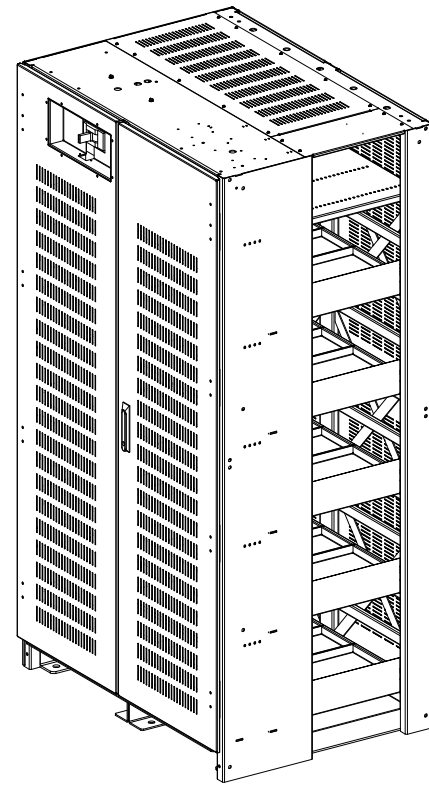
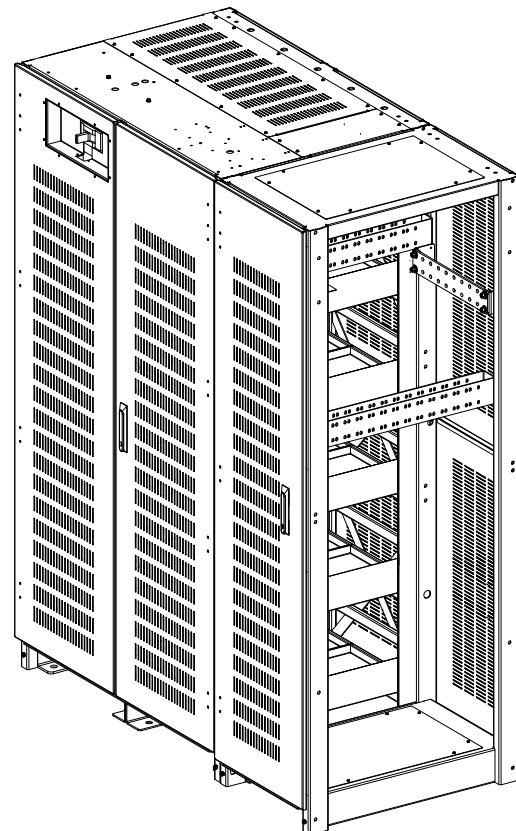


CAUTION: HIGH VOLTAGE, RISK OF ELECTRICAL SHOCK

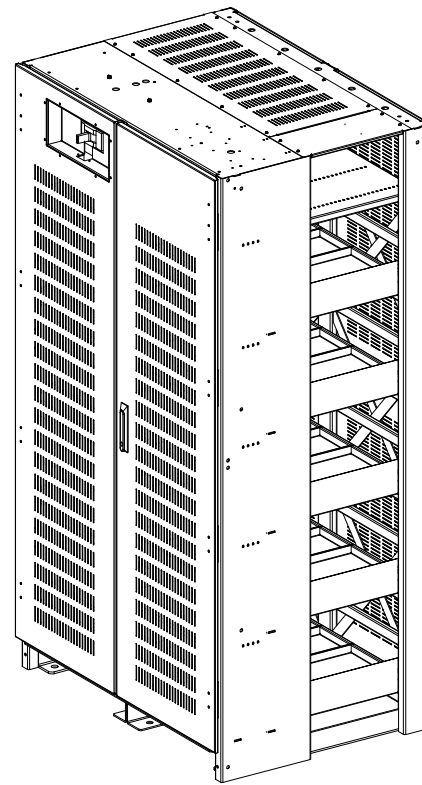
- FOLLOW ALL SAFETY PRECAUTIONS WHEN WORKING ON THIS SYSTEM
- ALWAYS WEAR PROPER SAFETY EQUIPMENT INCLUDING EYE PROTECTION



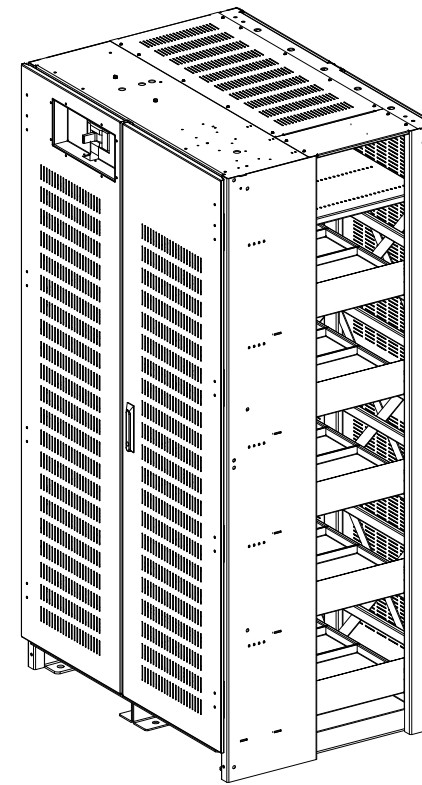
CABINET A



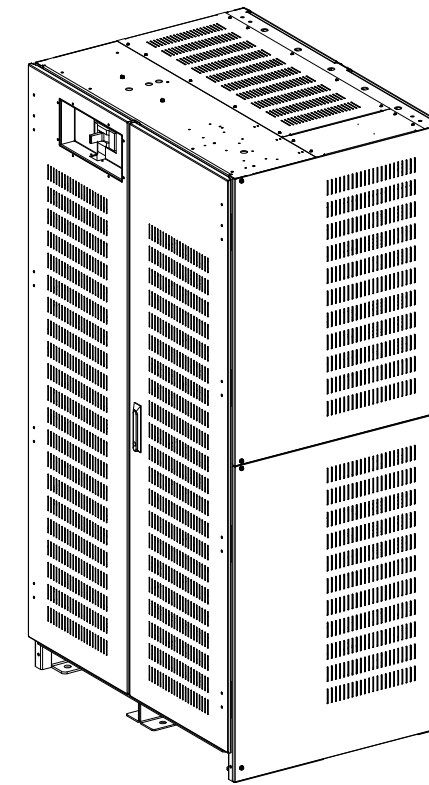
CABINET B & JC



CABINET C



CABINET D



CABINET E

ISOMETRIC BATTERY CABINET VIEW

ABB MEGAFLEX UPS BATTERY SKU
MGG1000-5-58-ALT

THE INFORMATION CONTAINED IN THIS DRAWING IS THE SOLE PROPERTY OF INTRAPACK INDUSTRIES INC. ANY REPRODUCTION IN PART OR WHOLE WITHOUT THE WRITTEN PERMISSION OF INTRAPACK INDUSTRIES INC. IS PROHIBITED.

NO.	DATE	REVISION DESCRIPTION

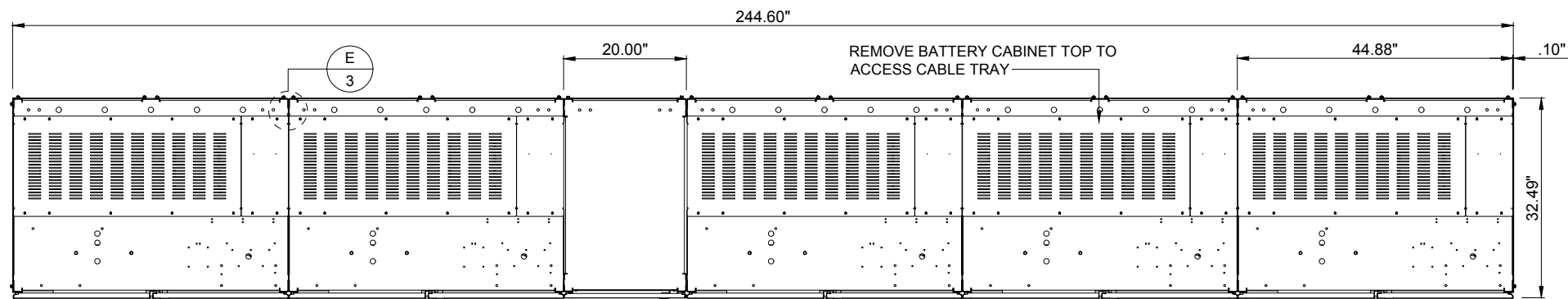
IntraPack® 10650 MARKISON ROAD
DALLAS, TX. 75238
PHONE: 214-348-7105
EMAIL: SALES@INTRAPACK.COM
WWW.INTRAPACK.COM
© INTRAPACK 2021

SYSTEM WEIGHT: 42,000 lbs			
JOB NO.	N/A	DATE:	01/29/2021
QUOTE NO.	IPC20-1016	DRAWN BY:	SM
SCALE:	N.T.S.	APPR. BY:	

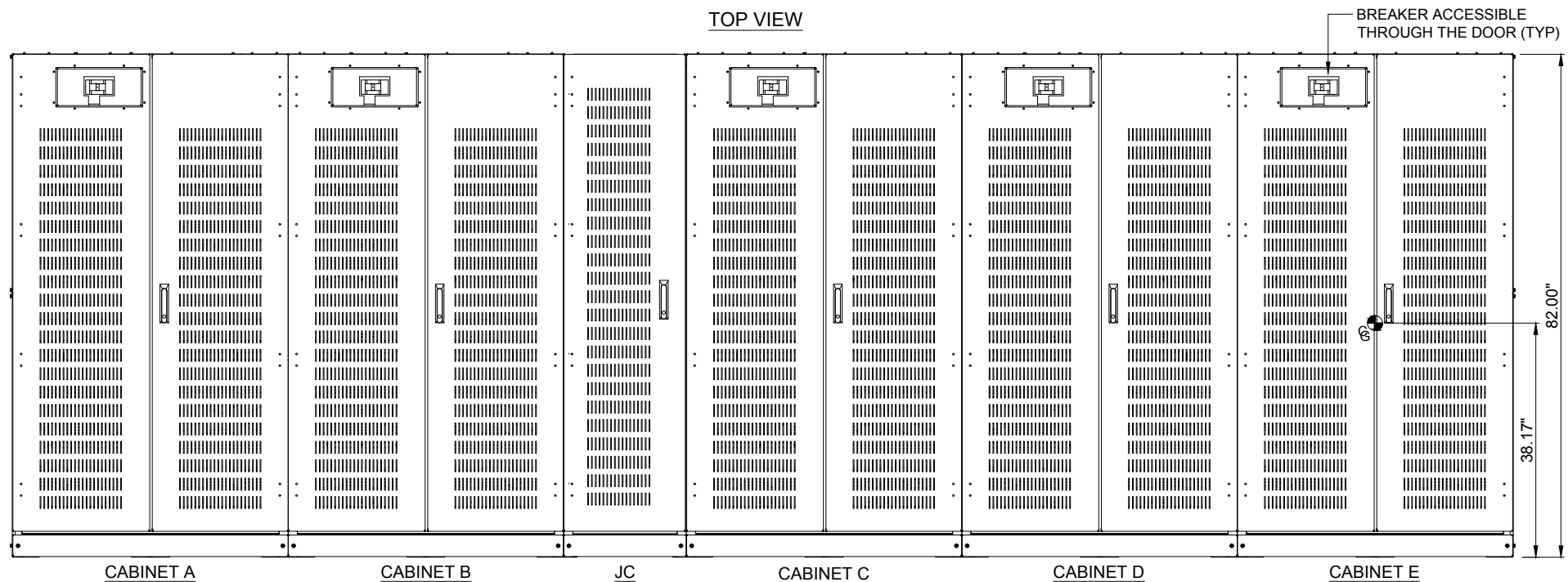
ADJACENT REMOTE FRONT TERMINAL BATTERY CABINET SYSTEM
DRAWING NO. IP8F16-150H925-480-5-5D600-AR-JC

CAUTION: HIGH VOLTAGE, RISK OF ELECTRICAL SHOCK

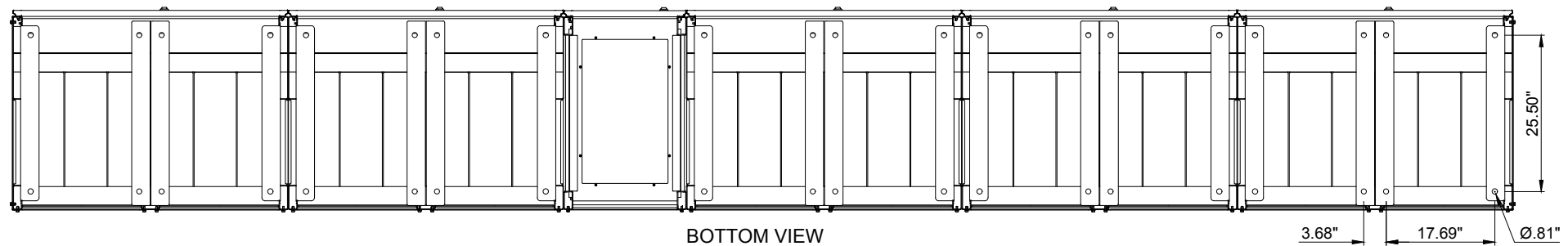
- FOLLOW ALL SAFETY PRECAUTIONS WHEN WORKING ON THIS SYSTEM
- ALWAYS WEAR PROPER SAFETY EQUIPMENT INCLUDING EYE PROTECTION



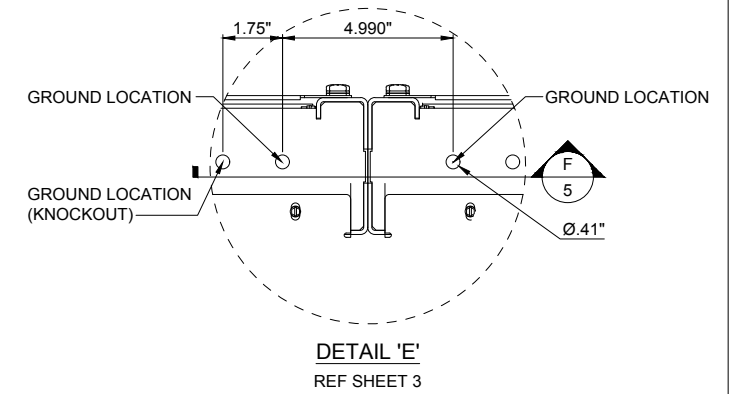
TOP VIEW



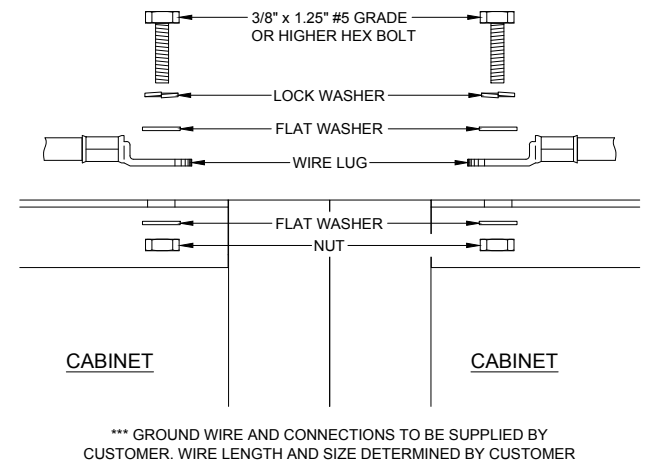
FRONT VIEW



BOTTOM VIEW



DETAIL 'E'
REF SHEET 3



DETAIL 'F'

ABB MEGAFLEX UPS BATTERY SKU
MGG1000-5-58-ALT

THE INFORMATION CONTAINED IN THIS DRAWING IS THE SOLE PROPERTY OF INTRAPACK INDUSTRIES INC. ANY REPRODUCTION IN PART OR WHOLE WITHOUT THE WRITTEN PERMISSION OF INTRAPACK INDUSTRIES INC. IS PROHIBITED.

NO.	DATE	REVISION DESCRIPTION

IntraPack®
10650 MARKISON ROAD
DALLAS, TX. 75238
PHONE: 214-348-7105
EMAIL: SALES@INTRAPACK.COM
WWW.INTRAPACK.COM
© INTRAPACK 2021

SYSTEM WEIGHT: 42,000 lbs			
JOB NO.	N/A	DATE:	01/29/2021
QUOTE NO.	IPC20-1016	DRAWN BY:	SM
SCALE:	N.T.S.	APPR. BY:	

ADJACENT REMOTE FRONT TERMINAL
BATTERY CABINET SYSTEM
DRAWING NO.
IP8F16-150H925-480-5-5D600-AR-JC

- 1 DC POWER CABLES FROM JC TO THE UPS PROVIDED BY OTHERS. REFER TO NEC FOR PROPER AWG SIZE
- 2 TERMINAL BLOCK TO TERMINAL BLOCK AND TERMINAL BLOCK TO UPS CONTROL WIRING WILL BE 16-20 GA STRANDED, PROVIDED BY OTHERS

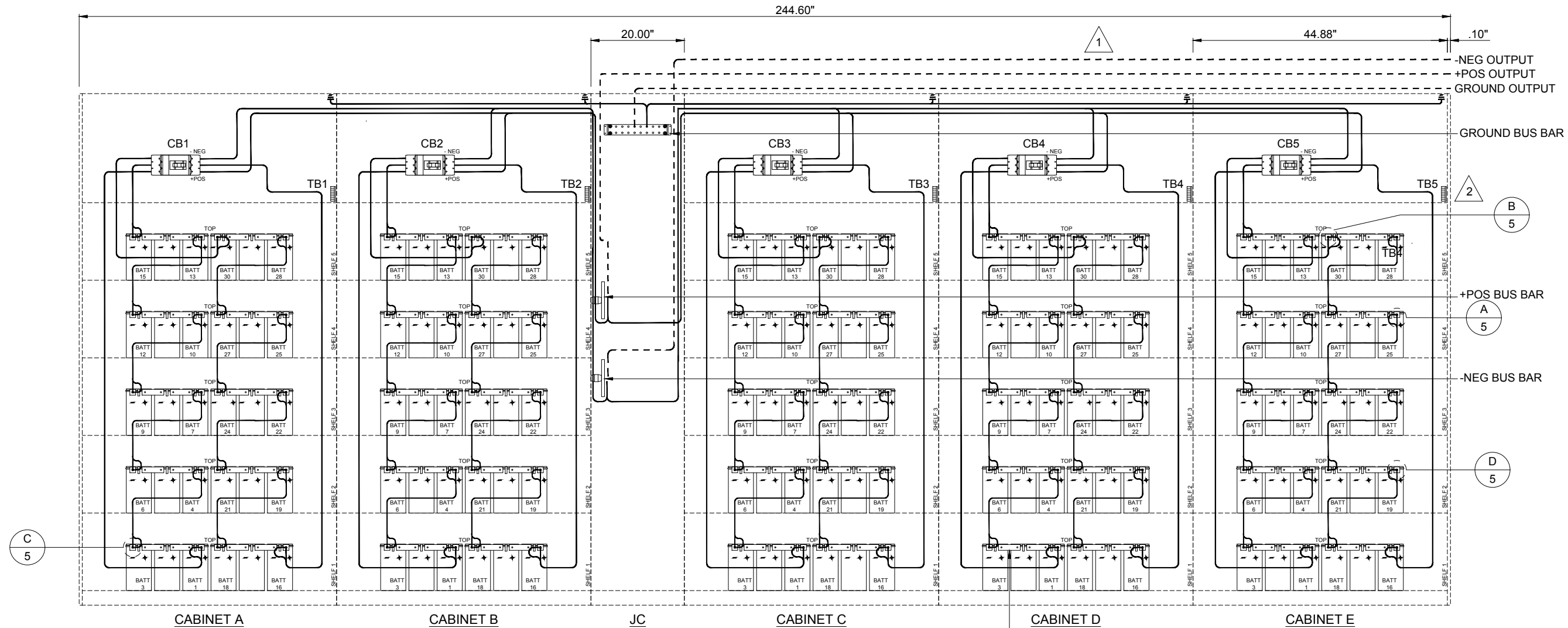
POSITIONING OF COMPONENTS ARE FOR ILLUSTRATION PURPOSES AND MAY NOT BE REPRESENTED IN THE EXACT LOCATION INDICATED.

CAUTION: HIGH VOLTAGE, RISK OF ELECTRICAL SHOCK

- FOLLOW ALL SAFETY PRECAUTIONS WHEN WORKING ON THIS SYSTEM
- ALWAYS WEAR PROPER SAFETY EQUIPMENT INCLUDING EYE PROTECTION

GENERAL NOTES:

1. ONLY QUALIFIED TECHNICIANS SHOULD PERFORM INSTALLATION OR MAINTENANCE OF THIS BATTERY SYSTEM.
2. ALL TOOLS SHOULD BE INSULATED TO PREVENT ELECTRICAL SHOCK.
3. OPEN DISCONNECTS BEFORE INSTALLATION OR MAINTENANCE.
4. CHECK DC VOLTAGE AT BATTERY OUTPUT AND UPS OUTPUT TO ENSURE PROPER POLARITY BEFORE MAKING FINAL CONNECTIONS.



ELECTRICAL ILLUSTRATION

- BRAIDED STRAP BUS BARS CAN BE SHIPPED CONNECTED OR DISCONNECTED
- SOLID COPPER BUS BARS ARE SHIPPED DISCONNECTED ONLY

ABB MEGAFLEX UPS BATTERY SKU MGG1000-5-58-ALT

THE INFORMATION CONTAINED IN THIS DRAWING IS THE SOLE PROPERTY OF INTRAPACK INDUSTRIES INC. ANY REPRODUCTION IN PART OR WHOLE WITHOUT THE WRITTEN PERMISSION OF INTRAPACK INDUSTRIES INC. IS PROHIBITED.

NO.	DATE	REVISION DESCRIPTION

IntraPack® 10650 MARKISON ROAD
 DALLAS, TX. 75238
 PHONE: 214-348-7105
 EMAIL: SALES@INTRAPACK.COM
 WWW.INTRAPACK.COM
 © INTRAPACK 2021

SYSTEM WEIGHT: 42,000 lbs			
JOB NO.	N/A	DATE:	01/29/2021
QUOTE NO.	IPC20-1016	DRAWN BY:	SM
SCALE:	N.T.S.	APPR. BY:	

ADJACENT REMOTE FRONT TERMINAL BATTERY CABINET SYSTEM
 DRAWING NO.
 IP8F16-150H925-480-5-5D600-AR-JC

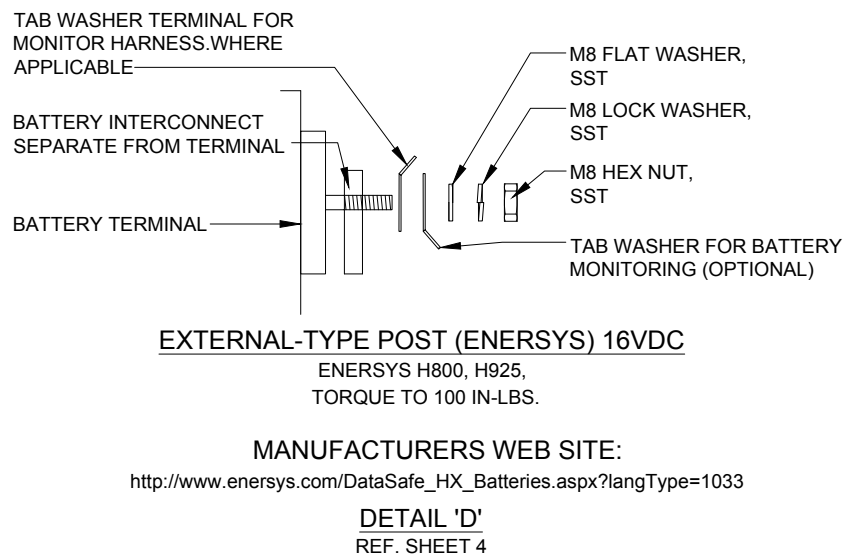
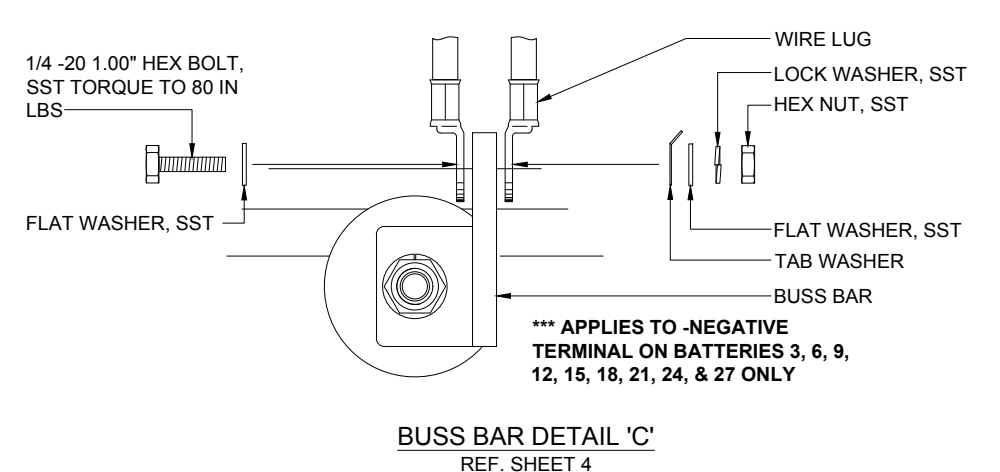
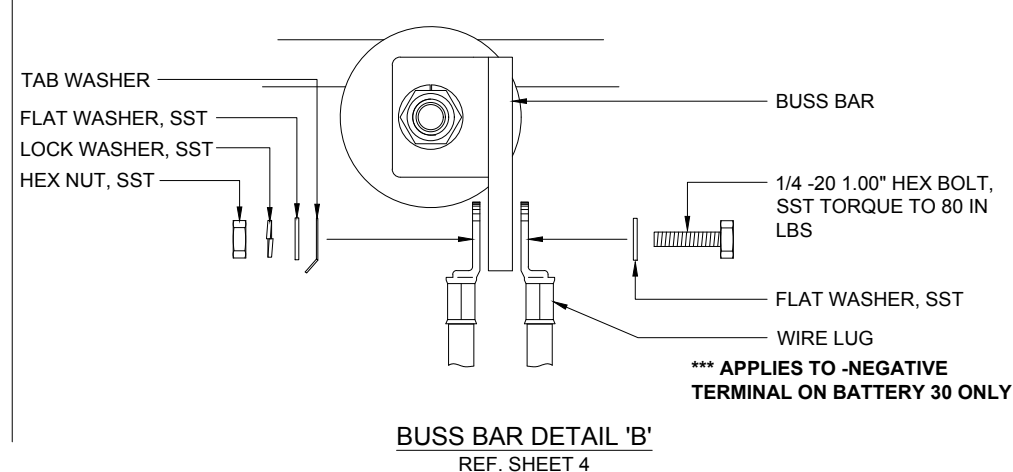
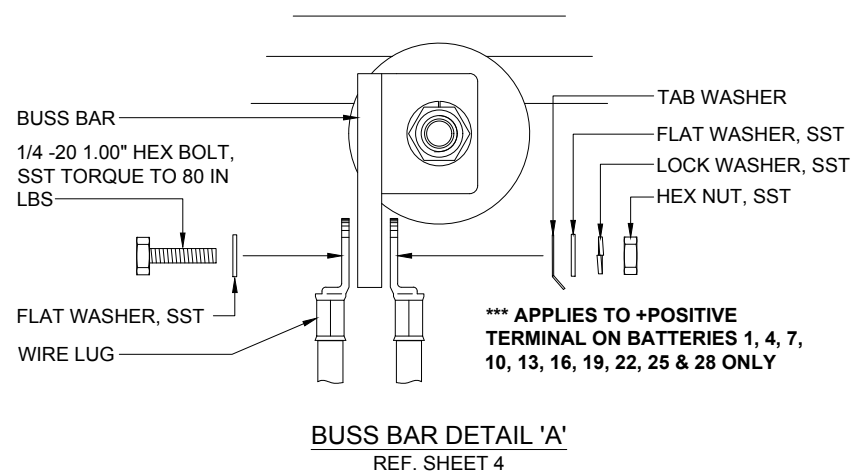
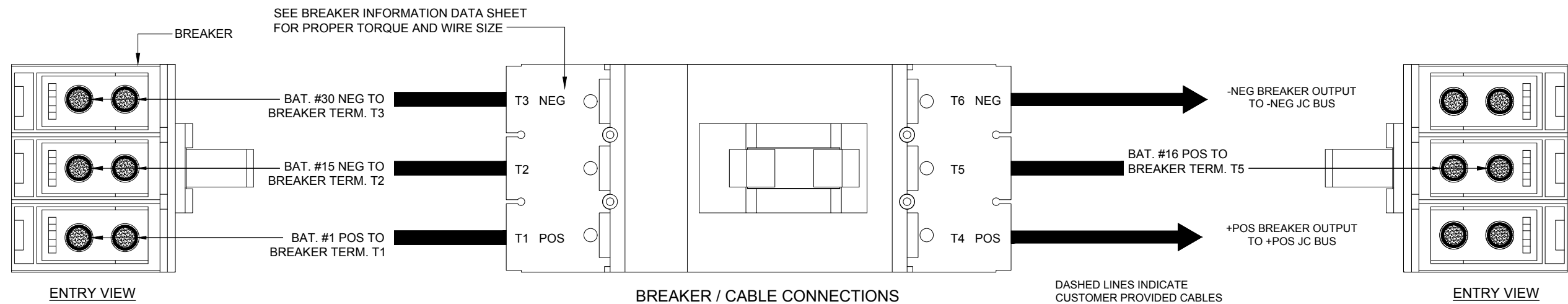


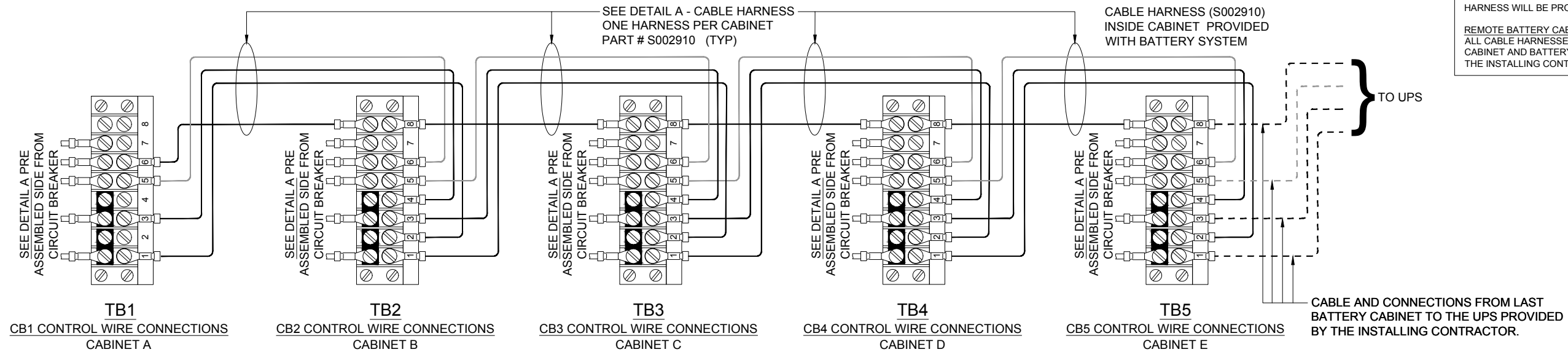
ABB MEGAFLEX UPS BATTERY SKU
MGG1000-5-58-ALT

THE INFORMATION CONTAINED IN THIS DRAWING IS THE SOLE PROPERTY OF INTRAPACK INDUSTRIES INC. ANY REPRODUCTION IN PART OR WHOLE WITHOUT THE WRITTEN PERMISSION OF INTRAPACK INDUSTRIES INC. IS PROHIBITED.

NO.	DATE	REVISION DESCRIPTION

	10650 MARKISON ROAD DALLAS, TX. 75238 PHONE: 214-348-7105 EMAIL: SALES@INTRAPACK.COM © INTRAPACK 2021	SYSTEM WEIGHT: 42,000 lbs	ADJACENT REMOTE FRONT TERMINAL BATTERY CABINET SYSTEM DRAWING NO. IP8F16-150H925-480-5-5D600-AR-JC	5 OF 6
	JOB NO. N/A DATE: 01/29/2021	QUOTE NO. IPC20-1016 DRAWN BY: SM		
	SCALE: N.T.S. APPR. BY:			

CONTROL WIRING ROUTING



ADJACENT BATTERY CABINET SYSTEM:
ALL CABLE HARNESSES ARE PROVIDED IN BOTH THE BATTERY CABINET TO BATTERY CABINET CONNECTION INCLUDING THE BATTERY CABINET CABLE HARNESS TO THE UPS.

ADJACENT REMOTE BATTERY CABINET SYSTEM:
ALL CABLE HARNESSES FROM BATTERY CABINET TO BATTERY CABINET WILL BE PROVIDED. THE BATTERY CABINET TO UPS CABLE HARNESS WILL BE PROVIDED BY THE INSTALLING CONTRACTOR.

REMOTE BATTERY CABINET SYSTEM:
ALL CABLE HARNESSES FROM BATTERY CABINET TO BATTERY CABINET AND BATTERY CABINET TO UPS WILL BE PROVIDED BY THE INSTALLING CONTRACTOR.

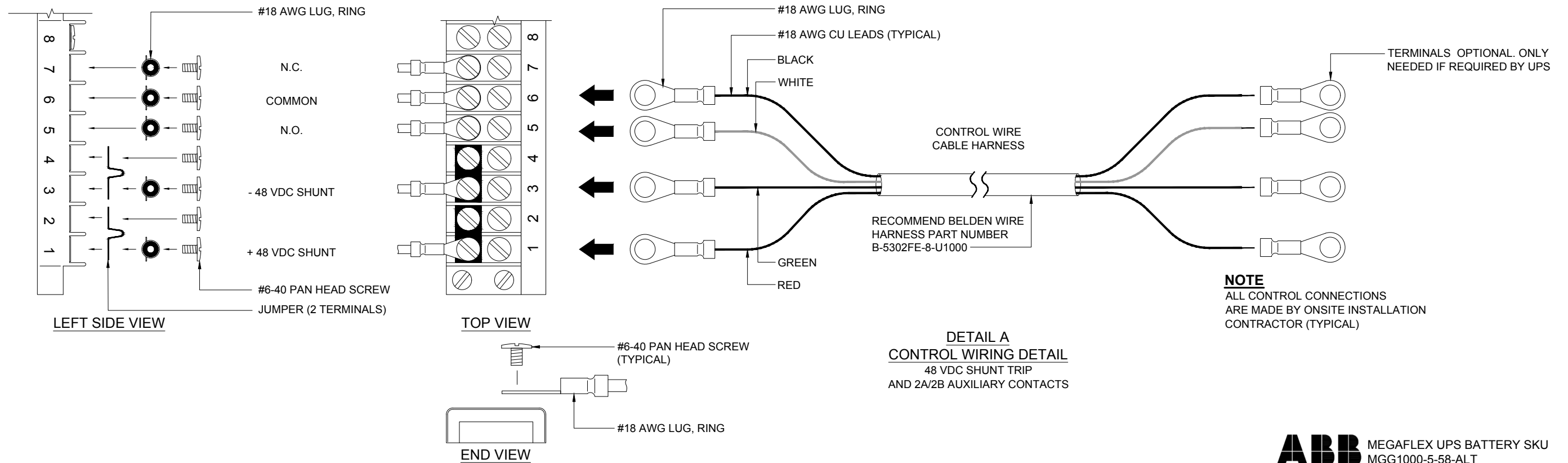


ABB MEGAFLEX UPS BATTERY SKU
MGG1000-5-58-ALT

THE INFORMATION CONTAINED IN THIS DRAWING IS THE SOLE PROPERTY OF INTRAPACK INDUSTRIES INC. ANY REPRODUCTION IN PART OR WHOLE WITHOUT THE WRITTEN PERMISSION OF INTRAPACK INDUSTRIES INC. IS PROHIBITED.

NO.	DATE	REVISION DESCRIPTION

IntraPack®
10650 MARKISON ROAD
DALLAS, TX. 75238
PHONE: 214-348-7105
EMAIL: SALES@INTRAPACK.COM
WWW.INTRAPACK.COM
© INTRAPACK 2021

SYSTEM WEIGHT: 42,000 lbs			
JOB NO.	N/A	DATE:	01/29/2021
QUOTE NO.	IPC20-1016	DRAWN BY:	SM
SCALE:	N.T.S.	APPR. BY:	

ADJACENT REMOTE FRONT TERMINAL
BATTERY CABINET SYSTEM
DRAWING NO.
IP8F16-150H925-480-5-5D600-AR-JC