

ABB Ability™

Digital Upgrade with Enclosed EkipUP

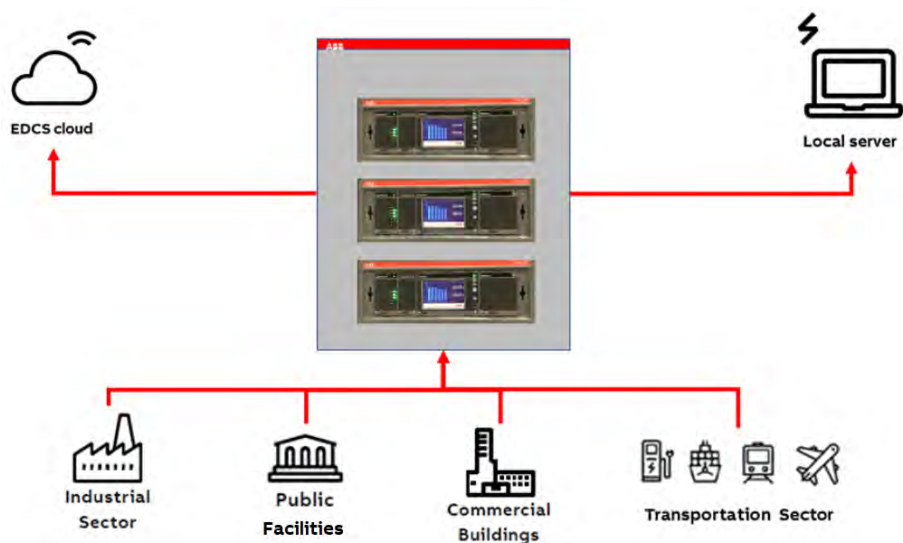


ABB enclosed **EkipUP** solutions facilitate fast digital upgrade of existing low-voltage electrical equipment with minimum downtime and least disruption. Online subscription to ABB Ability™ Energy and Asset Manager (**EAM**) cloud connectivity platform offers fast access to monitor, control and protect the system, loads and assets.

—
01 One solution base for multiple functionalities and application areas

Concept

Enclosed EkipUP basically comprises a digital device supplied with sensors and basic accessories included. **EAM** is a **Software as a Service (SaaS)**, available directly on **ABB Marketplace™**. As a combination, this plug & play solution makes it simple for an end-user to upgrade, monitor and control their electrical or electrically operated equipment. Assembled in Montreal, Enclosed EkipUP is a local solution suitable for most applications - industrial or commercial, new or old, ABB or non-ABB.

Value-add and benefits

1. Fast and easy to order, install, setup and operate, with least possible disruption to existing system and equipment
2. Detailed supporting tech info available
3. Immediate access to network information
4. Online subscription provides full access to system info through pre-configured widgets
5. User-selectable status alerts by email and/or SMS; scheduled and on-demand reports
6. Automatic updates on connected devices
7. Simple, safe, secure and reliable solution.

EkipUP type	Part number	Rating plug
Monitor, 3-W	EUPMX2000C5DXDXX	2000A
Monitor, 4-W	EUPMX2000C6DXDXX	2000A
Protect, 3-W	EUPPX2000C5DXDXX	2000A
Protect, 4-W	EUPPX2000C6D3DXX	2000A
Control, 3-W	EUPCX2000C5D3DXX	2000A
Control, 4-W	EUPCX2000C6D3DXX	2000A
Protect+, 3-W	EUPPP2000C5D3DXX	2000A
Protect+, 4-W	EUPPP2000C6D3DXX	2000A
Control+, 3-W	EUPCP2000C7EDDFX	2000A
Control+, 4-W	EUPCP2000C8D3DFX	2000A

Note:

1. Above part numbers serve common options
2. For specific options not listed above, please ask for our EkipUP selection tool (.xls)
3. Ekip Com Hub included standard for EAM cloud connectivity. Other protocols (Modbus TCP, Ethernet/IP, etc.) available on request
4. Ekip Connect configuration software downloadable free of charge ([click here](#))
5. Ekip Programming cable to be ordered extra, one-time purchase
6. Energy and Asset Manager (EAM) subscription available directly on **ABB Marketplace™**

EkipUP digital device

Key features and functionality

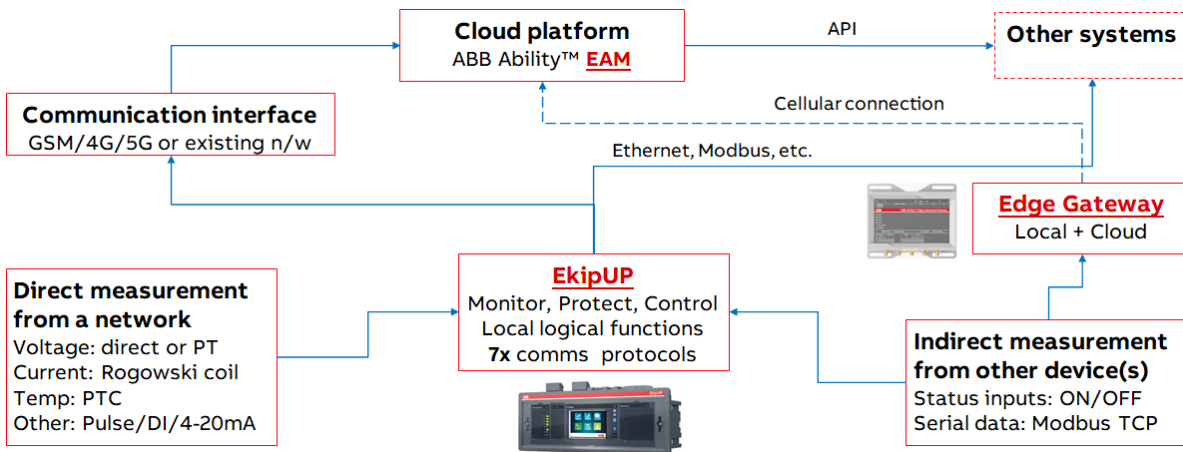


EkipUP is available in **5** versions, all of which include monitoring; parameters listed below left. Protect+ and Control+ versions include all protections listed below on the right. Also, software functions (IPS, ATS, Power Controller, etc.) can be pre-ordered in suitable versions, if required in a given application.

Note: Protect version excludes specific generator protection parameters like ANSI 59N, 47, 51V, 32A, etc., while Monitor and Control versions have **no** protections included.

Monitoring parameters (all EkipUP versions)	
Instantaneous	Currents (L1, L2, L3, N, rms) Earth fault current (rms) L-L voltage (V12, V23, V31, rms) L-N voltage (V1, V2, V3, rms) Phase sequence Frequency (Hz) Active power (P1, P2, P3, Ptot) Reactive power (Q1, Q2, Q3, Qtot) Apparent power (S1, S2, S3, Stot) Power factor (cos-phi) Peak factor (L1, L2, L3, N)
Cumulative measurement	Active power Ep (tot, + and -) Reactive power Eq (tot, + and -) Apparent power Es (tot)
Network analyzer	Average volts/hour (Vmin= 0.75-0.95 xVn, Vmax= 1.05-1.25 xVn, Events/day in past year and total events) Short voltage interruptions Short voltage spikes, sags and swells Voltage unbalance and micro-interruptions Harmonics analysis (THDv, THDi, V/I up to 50th order) 2 independent registers for V/I/P with sampling frequency user-settable from 1200 to 9600Hz
Time-stamped values	Currents (Imin, Imax) L-L voltage (Vmin, Vmax) Reactive power (Qmean, Qmax) Apparent power (Smean, Smax) Time-stamp of last 200 events
Data logging	Currents (L1, L2, L3, N, Ig) Voltages (V12, V23, V31) Active power (Pmean, Pmax) Max recorded duration Recording stop delay Recording intervals = 5 to 120 min, user-settable
Trip and opening data/info	Type of protection on trip Fault values per phase based on trigger (see note) Time-stamping (date, time, progressive number)
Maintenance indicators	Last 30 trips info (see note below) Last 200 events info (time-stamped) Mechanical operations (can be sent to alarm) Total number of trips (see note below) Total operating time (hours) Last maintenance performed (date) Maintenance required indication Unit ID (type, assigned name and serial number)
Self-diagnosis	Internal connections checks CB failure to open (ANSI 50BF) (see note below) Over-temperature (pre-alarm and alarm)

ABB definition	ANSI Code	Short description of protective functions
L	49	Overload Protection, excludable, delay to 144 at 3xIn, with thermal memory
S	50TD	Time-delayed overcurrent protection, time delay up to 0.8s, settable 0.6 to 10xIn, excludable, with thermal memory and provision to offset inrush
I	50	Instantaneous overcurrent protection, settable up to 15xIn, with provision to offset inrush currents
G	50N TD	Earth fault protection, settable 0.1 to 1xIn, excludable, with provision to offset inrush currents
IU	46	Current unbalance protection
2I	50	Instantaneous overcurrent protection
MCR		Closing on short-circuit protection
Gext	50G TD	Earth fault protection
Rc	64 50N	Residual current protection
	TD87N	Differential ground fault protection
LC1/2		Current threshold LC
Iw1/2		Current threshold Iw
UV	27	Undervoltage Protection
OV	59	Overvoltage Protection
VU	47	Voltage unbalance protection
UF	81L	Underfrequency protection
OF	81H	Over-frequency protection
RP	32R	Reverse active power protection
Cyclical direction	47	Cyclical direction of phases
Power factor	78	3-phase power factor (cos-phi)
S2	50TD	Time-delayed overcurrent protection
D	67	Directional overcurrent protection (forward and back)
UV2	27	Undervoltage Protection
OV2	59	Overvoltage protection
UF2	81L	Underfrequency protection
OF2	81H	Overfrequency protection
S(V)	51V	Voltage controlled overcurrent protection
RV	59N	Residual overvoltage protection
OP	32OF	Active overpower protection
OQ	32OF	Reactive overpower protection
UP	32LF	Active underpower protection
RQ	40/32R	Loss of field or reverse reactive power protection
S2(V)	51V	Voltage controlled overcurrent protection
ROCOF	81R	Rate of change of frequency protection
Synchrocheck SC	25	Synchrocheck (Live buA1:C36sbars)



—
02

—
01

—
01 Standalone "device to cloud" architecture for direct EAM cloud connectivity

—
02 Actual example of enclosed EkipUP at service entrance (or further downstream) in a low-voltage electrical network, "plug & play" for digital upgrades

Note: GSM modem not included in ABB scope of supply but can be supplied on request. It is however advisable to procure this locally, together with a post-paid SIM card, from a local telecoms service provider. Typical data usage is max. 2GB per month per EkipUP device.

Suitable end-use applications

The design concept, architecture and overall combination of hardware, software and cloud components make Enclosed EkipUP (together with EAM) suitable for a wide range of applications, especially for digital upgrades of existing equipment (brownfield). These could broadly include:

- Factories and industrial sheds
- Commercial properties and warehouses
- Malls, office towers, multi-res properties
- Small airports and similar critical loads
- Remote applications of different kinds

Note:

EAM platform by itself is specifically focussed on monitoring, protection and control of electrical networks and is by no means intended to replace broad-based asset management systems like SCADA and DCS, existing or new. The main goal of Enclosed EkipUP + EAM solution is to offer a fast, simple, safe and secure upgrade of electrical equipment with little to no downtime/disruption. Please visit **ABB Ability™ webpage** for more info or email **ability@ca.abb.com** for application support and specific information.

Key differentiation with ABB Ability™ Simple, safe, secure and scalable.

Ability™ EAM keeps the solution simple at all levels, which further translates to fast and safe implementation, rapid scalability and overall ease of use. This focus on simplicity in reality means a startup time of an hour or even less. Pre-configured widgets (currently **70+** and counting) on EAM platform immediately map and display measured data in tabular and/or visual trends as selected. More importantly, it removes the need for coding, programming, mapping, etc. A GSM modem can offer a secure connection to cloud, independent of any existing IT network. Customer may also use their own network if they prefer. High scalability ensures up to 130 devices (EkipUP or compatible) can be linked to the same EAM account at the same location, with the same level of ease. It is important to note here that the end-user owns the solution and data. Cybersecurity is given top priority at all levels from device to cloud, as it very well should be. Please **click here** for info on cybersecurity.

—
ABB Inc.
800 boulevard Hymus
Saint-Laurent, QC
H4S 0B5, Canada
1833-703-6700
ability@ca.abb.com
ability.abb.com

—
We reserve the right to make technical changes or modify the contents of this document without prior notice. With regard to purchase orders, the agreed particulars shall prevail. ABB AG does not accept any responsibility whatsoever for potential errors or possible lack of information in this document.

—
We reserve all rights in this document and in the subject matter and illustrations contained therein. Any reproduction, disclosure to third parties or utilization of its contents – in whole or in parts – is forbidden without prior written consent of ABB AG. Copyright© 2019 ABB
All rights reserved