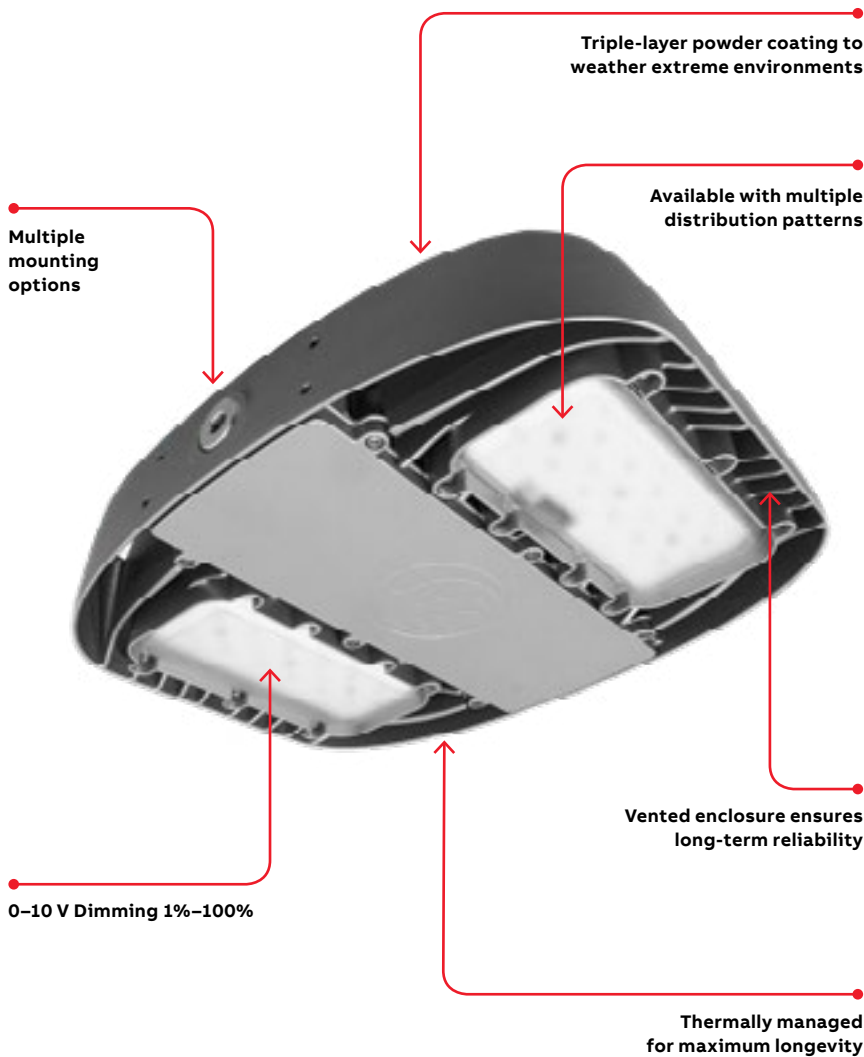


# SMR LED

The unique combination of flexibility and robust design allows the implementation of this light fixture in various new or existing facilities. The SMR not only exceeds the expectations of an HID replacement, but establishes a new benchmark in versatility for industrial LED lighting.



## CLASSIFICATION

<b>CLASS I</b>	
Division 2	Groups A, B, C, D, T4
Zone 2	Group IIC
Zone 22	
<b>CLASS II</b>	
Division 2	Groups F, G
<b>CLASS III</b>	T4A

Contact your ABB sales representative to verify classification

## CERTIFICATIONS

**DLC** Not all DL series are DLC qualified. For all qualified products, please visit: [www.designlights.org/qpl](http://www.designlights.org/qpl)

**UL LISTED**  
E76933  
UL844  
UL1598A  
UL8750

**MARINE UL LISTED**  
E76933

**ida**

**IP** IP66/67

## Applications

- Hazardous locations
- Indoor lighting
- Tunnel lighting
- Industrial facilities
- Refinery and petrochemical facilities

## SMR LED

### Key features and benefits

#### Features

- Extremely robust
- Thermally managed for longevity
- Easy field angle adjustment
- -40 to 55 °C operating range
- Lifespan up to 100,000 hours
- Sealed to IP66
- Extreme vibration resistance

#### Junction box

- Direct heat transfer from power supply to external case for optimal performance
- Plenty of wiring space for optional accessories (contact your ABB representative for custom options)
- ¾" NPT entry
- IP 66/67 rated, suitable for wet locations

#### Thermal management

- Ample surface area of head ensures LEDs are kept running at maximum efficiency, even at 55 °C temperature
- Unique heat sink design creates increased airflow for optimal LED and power supply operating temperature
- Physical separation of electronics for increased system reliability
- Perimeter band adds ruggedness and channels heat through fins with laminar flow principles

#### Light engine

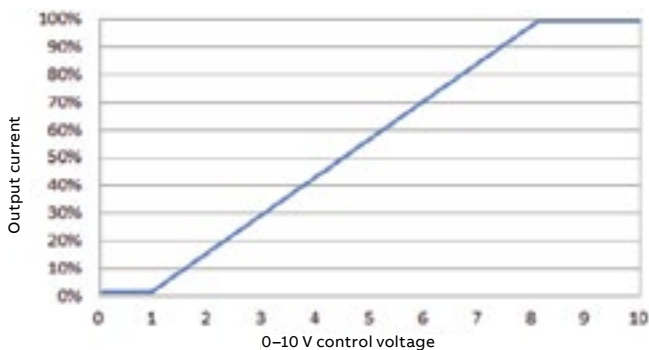
- Metal core PCB (MCPCB)
- Modular optics

#### Output

3050 to 6265 lumens

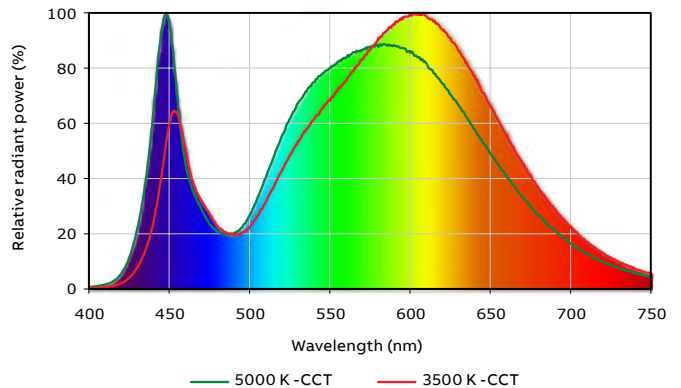
#### Dimming

Driver will source a maximum of 200 µA for control needs. A controller must sink current from 0–10 V control leads.



#### Color temperature

Available standard 5000 K, with additional color temperatures available from 2700 to 6500 K.



#### Nichia LEDs

- Proven reliability
- High efficiency
- Superior CRI (80+)
- Several CCT options for added design flexibility

#### Housing

- Copper-free high pressure die-cast aluminum case
- Triple-layer coating suitable for marine applications
- Physical separation between power supply and LEDs
- Lens and case are designed to withstand severe impact

#### Power supplies

- Two input ranges for ultimate flexibility
- Utilizes high performance LED drivers for better efficiency and up to 100,000 hours of maintenance-free operation
- Built-in junction box with ¾" NPT entry

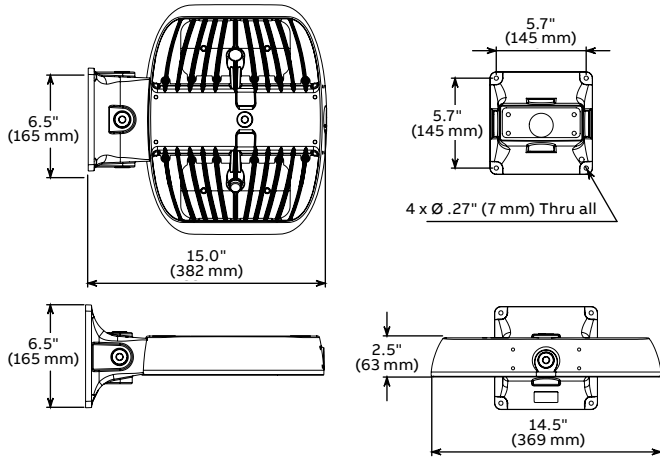
<b>Power</b>	SMR3: 26 W (WF) - 29 W (2F, OF, SF)
	SMR6: 51 W (WF) - 57 W (2F, OF, SF)
<b>Current</b>	SMR3: AC - 0.25A@120 VAC    HV - 010A@347 VAC
	SMR6: AC - 0.50A@120 VAC    HV - 020A@347 VAC

# SMR LED

## Mounting – optional accessories

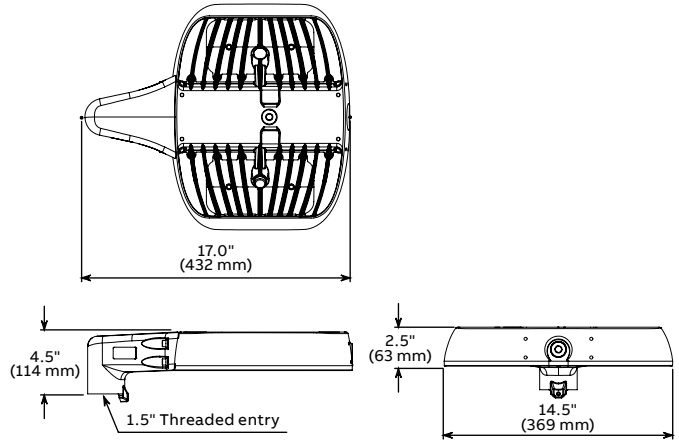
**Wall pack mount SMR-WM**

6.8 kg | 15 lbs



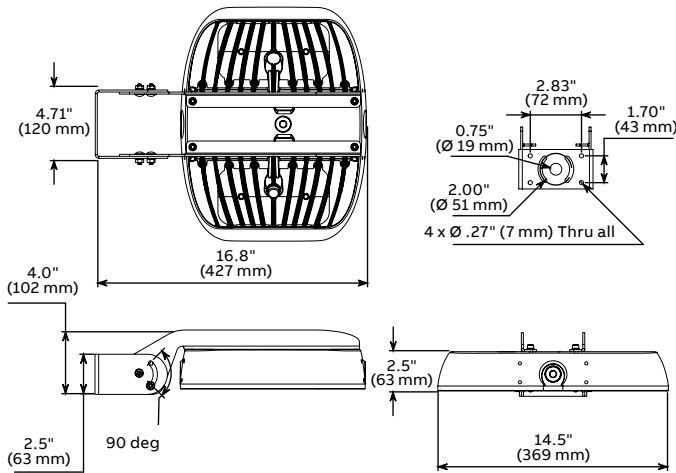
**Pole mount SMR-PM**

5.6 kg | 12.4 lbs



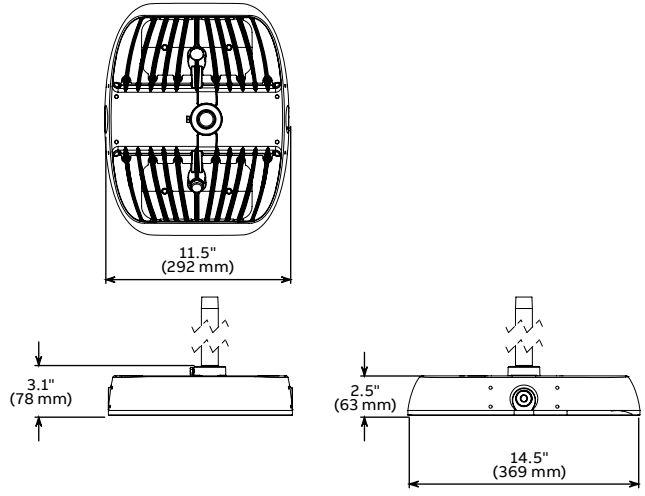
**Yoke mount SMR-YM**

6.3 kg | 13.9 lbs



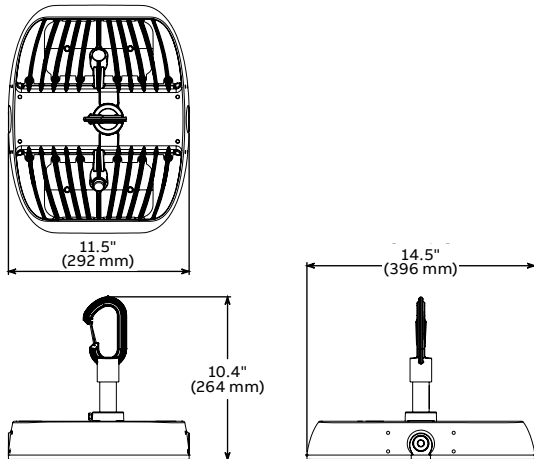
**Conduit connection SMR-CC**

5.3 kg | 11.7 lbs

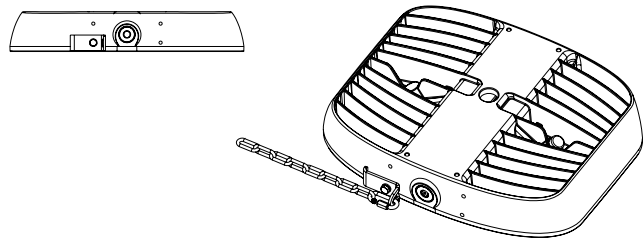


**Hook pendant mount SMR-HK**

4.9 kg | 10.8 lbs

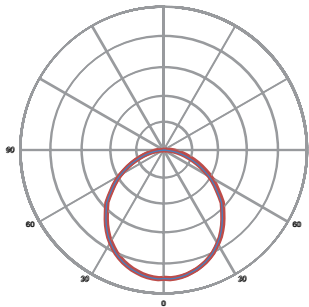


**Secondary safety SMR-SS**



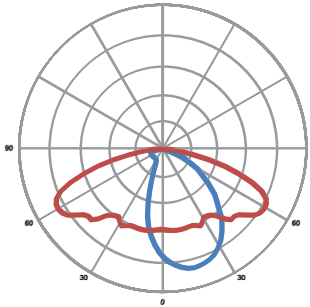
## SMR LED

### Optic options



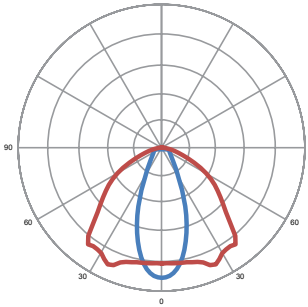
**CUT – Wide beam (no optic)**

Model	Lumen output (CW)
SMR3	3050
SMR6	5650



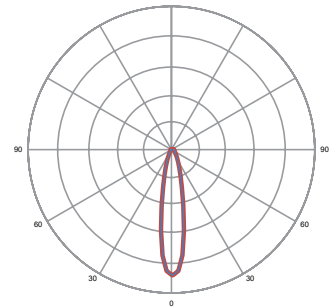
**R2 – IESNA Type 2**

Model	Lumen output (CW)
SMR3	2980
SMR6	5520



**OC – Oval 26° x 108°**

Model	Lumen output (CW)
SMR3	3290
SMR6	6090



**SF – Spot 18°**

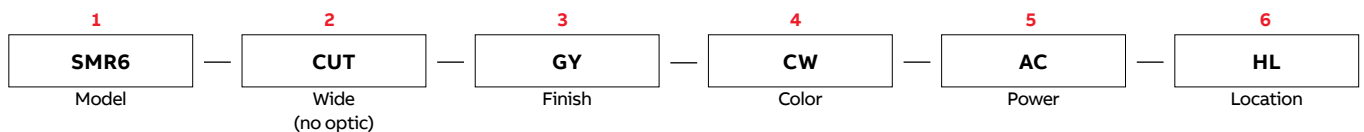
Model	Lumen output (CW)
SMR3	3380
SMR6	6265

Standard offering above, 13 alternate optical profiles available upon request.

Contact sales representative for further details. Minimum order quantities, additional costs and lead times may incur.

## Numbering system

### Lighting fixture



### Lighting fixture

Part	Part number	Description
1 Model	SMR3	2980 to 3380 Lumens
	SMR6	5520 to 6265 Lumens
2 Optic	R2	IESNA Type 2
	OC	Oval 26° x 108°
	SF	Spot 15°
	CUT	Wide (no optic)
3 Finish	GY	Gray
4 Color	CW	Cool white (5000 K)
5 Power	AC	120 to 277 V AC
	HV	347 V AC
6 Location	HL	Hazardous location
7 Market	U	US market

### Accessories (sold separately)

SMR-WM-GY	Wall pack mount
SMR-PM-GY	Pole mount
SMR-YM <sup>1</sup>	Yoke mount
SMR-CC-GY	Conduit connection
SMR-HK-GY	Hook pendant mount
SMR-SS	Secondary safety

<sup>1</sup>Only available in stainless steel