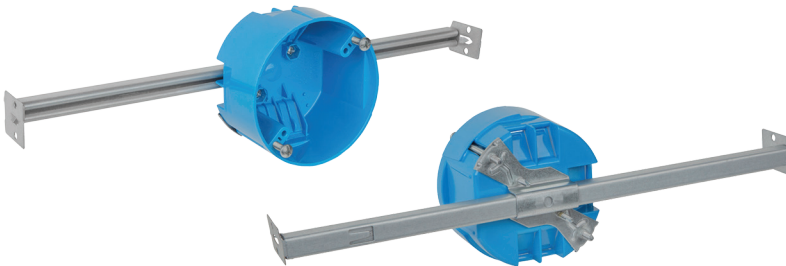


TECHNICAL DATA SHEET - INTERACTIVE PDF

# Ceiling Box, New work fan/fixture

## Adjustable bar hanger (14 $\frac{3}{8}$ " – 22 $\frac{1}{2}$ " )

**Carlon**<sup>®</sup>



Non-metallic fan/fixture ceiling box with adjustable bar hanger to position ceiling box between ceiling joists.

**Certifications / Standards:**



**3-Part Specification: 26.05.33.17**

**Tools and Calculators**

—  
**Features:**

- 4" Diameter box with 2 $\frac{3}{4}$ " and 3 $\frac{1}{2}$ " spaced light fixture/device mounting holes.
- Ceiling fan support with 3 $\frac{1}{2}$ " spaced mounting holes, screws supplied.
- Steel bracket is provided with tapped holes for secure fan mounting.
- Screws, #10-32 provided for fan support.
- Built in cable clamps to hold wires securely in box.
- Adjustable bar hanger, ranging from 14  $\frac{3}{8}$ " – 22  $\frac{1}{2}$ " span.
- Maximum number of wires in box per size:
  - 10/14 AWG
  - 8/12 AWG
  - 8/10 AWG
- Volume: 20 Cu. In.
- Fan load rating is clearly visible in each box.

—  
**Applications:**

- Suitable for fan support of 35 lbs or less up to a maximum span of 22  $\frac{1}{2}$ ".
- Suitable for light fixture support of 50 lbs or less up to a maximum span of 22  $\frac{1}{2}$ ".

—  
**Conforms to:**

- UL514C
- Meets NEC 314.27 (C) for habitable rooms and non-habitable rooms.

—  
**Ratings:**

- Fire rating, 2 hours
- Fan support, 35 lbs or less up to a span of 22  $\frac{1}{2}$ "
- Fixture support, 50 lbs or less up to a span of 22  $\frac{1}{2}$ "

—  
**Material / Finishes:**

- Box -Polycarbonate
- Bar hanger - Steel
- Fan support bracket - Steel

—  
**Table data:**

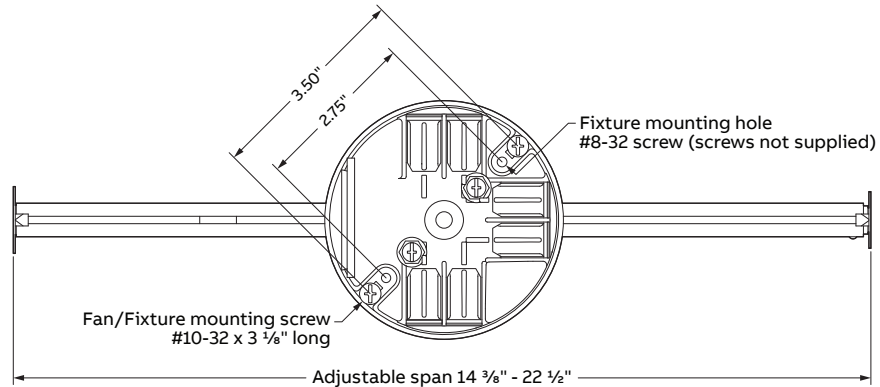
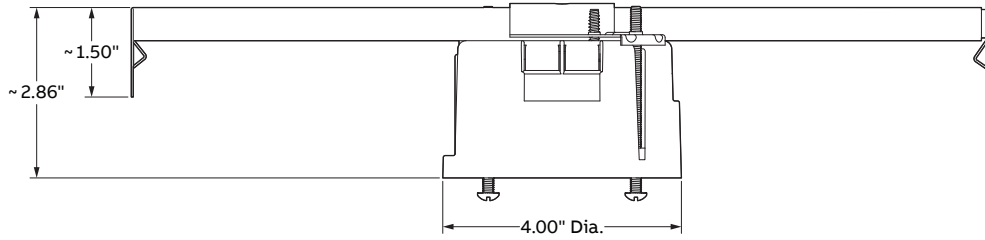
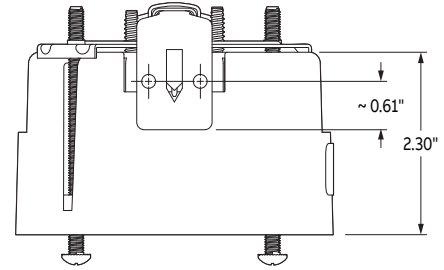
- [Product selection](#)

**Ceiling Box, New work fan/fixture**  
Adjustable bar hanger (14 3/8" – 22 1/2")

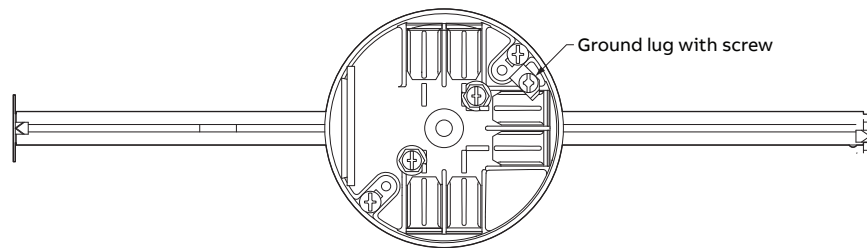
**Product selection**

Part no.	Ground lug
B620K-CFB	No
B620KR-CFB	No
B620KG-CFB	Yes
B620KGR-CFB	Yes

Note: Product must be installed in accordance with applicable national and local electrical codes.



**B620K-CFB/B620KR-CFB**



**B620KG-CFB/B620KGR-CFB**

**Fan/Fixture Installation**

Ceiling Fan Installation: must use #10-32 x 3 1/8" screws provided with the box

- #10-32 screw torque - 35 Lb-In
- #8-32 screw torque - 20 Lb-In

[electrification.us.abb.com](http://electrification.us.abb.com) (US/LATAM)  
[tnb.ca.abb.com](http://tnb.ca.abb.com) (Canada)  
[abb.com](http://abb.com)

We reserve the right to make technical changes or modify the contents of this document without prior notice. With regard to purchase orders, the agreed particulars shall prevail. ABB does not accept any responsibility whatsoever for potential errors or possible lack of information in this document.

We reserve all rights in this document and in the subject matter and illustrations contained therein. Any reproduction – in whole or in part – is forbidden without prior written consent of ABB. © 2023 ABB Installation Products Inc. and/or its related companies. All Rights Reserved.

Product search 

