

WINDOW FOR THXXXXSSW CATALOGS.
THXXXXSSW CATALOGS OBSOLETE,
REFER TO THXXXXSSVW CATALOGS

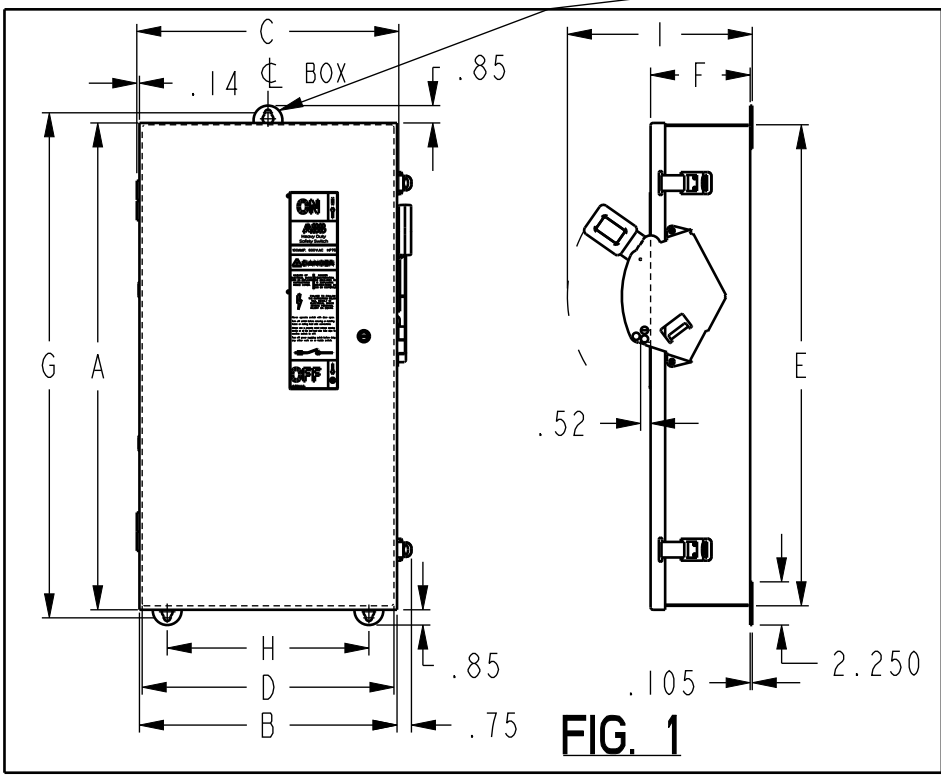


FIG. 1

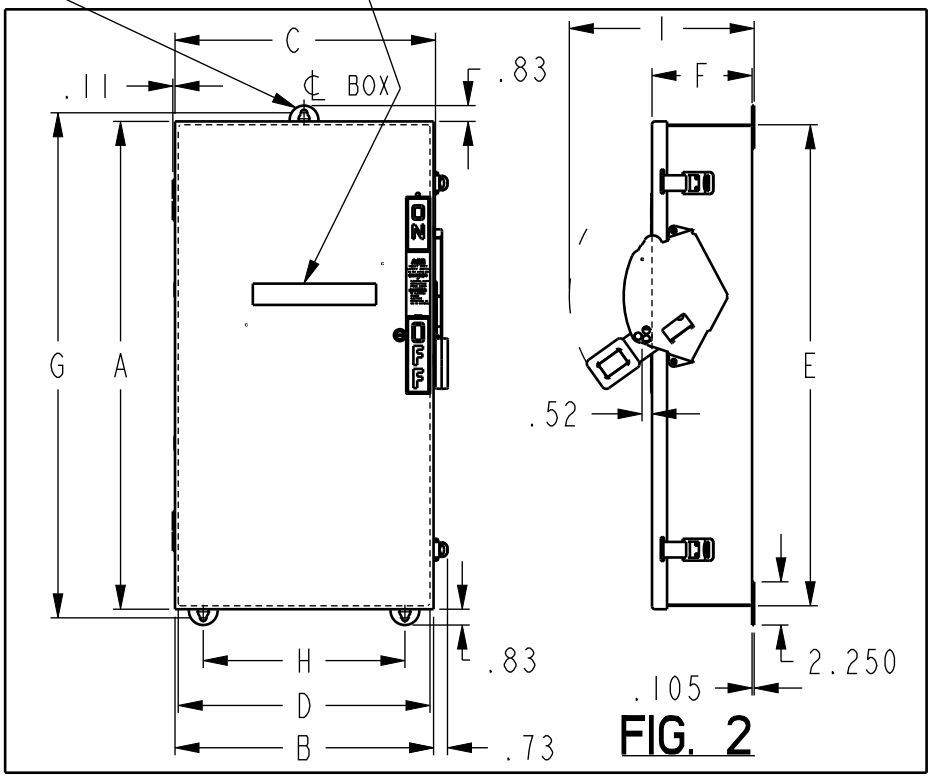


FIG. 2

DIMENSION TABLE

GCAT NO.	FIG.	A	B	C	D	E	F	G	H	I
TH3363SS316/THN3363SS316	1									
TH3223SS-BA/TH3363SS316-BA/THN3363SS-BA TH3363SS-BA/TH4323SS-BA/THN3363SS316-BA	1	25.36	13.42	14.32	13.11	25.05	5.19	26.44	10.50	9.62
THN2263SSDC	1									
TH3363SS/TH3223SS/THN3363SS/ TH4323SS/TH2263SSDC	1									
TH3223SSW	2	25.41	13.47	14.21	13.11	25.05	5.21	26.43	10.50	9.62
TH3363SSW/TH4323SSW/THN3363SSW	2									
TH3364SS316/THN3364SS316	1									
TH3224SS-BA/TH3364SS316-BA/TH3364SS-BA TH4324SS-BA/THN3364SS316-BA/THN3364SS-BA	1	35.14	14.45	15.46	14.11	34.80	5.20	36.20	11.50	9.62
TH3364SS/THN3364SS/TH3224SS/ TH4324SS/THN3364SSCL	1									
TH3224SSW	2	35.19	14.50	15.46	14.11	34.80	5.22	36.20	11.50	9.62
TH3364SSW/TH4324SSW/THN3364SSW	2									

NOTE:
1. ALL DIMENSIONS ARE IN INCHES.
2. ALL DIMENSIONS HAVE ±0.125 TOLERANCE.



**OUTLINE DRAWING-HEAVY DUTY 100 & 200A
NEMA-4/4X, WITH & WITHOUT VIEWING WINDOW**

THIRD ANGLE	SHEET#	DWG NO.	DATE	REV
	1 of 1	10103091SH113	Dec-12-23	J