

We reserve all rights in this document and in the information contained therein. Reproduction, use or disclosure to third parties without express authority is strictly forbidden. © ABB 19

Pos. Läge	R connects förbinder	H connects förbinder
1	12-13	1-15
2		2-15
3		3-15
4		4-15
5		5-15
6		6-15
7		7-15
8		8-15
9		9-15
10		10-15
11		11-15
12		
12A	12-14	12-15
13		1-15
14		2-15
15		3-15
16		4-15
17		5-15
18		6-15
19		7-15
20		8-15
21		9-15
22		10-15
23	11-15	

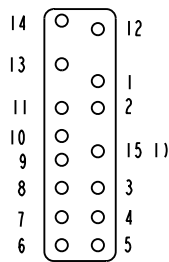
A position with letter is a through position and gives the same voltage as the normal position.

Läge med bokstav är ett genomslagsläge och ger samma spänning som normalläget.

1) Connections between the terminals 15 of the three phases are included in the star-point type.

Förbindningar mellan uttag 15 i de tre faserna ingår i nollpunktsutförandet.

Terminal board
Plint



Section A-A
Sektion A-A

On-load tap-changer type UZER., UZFR., 23 tap positions, plus/minus switching.

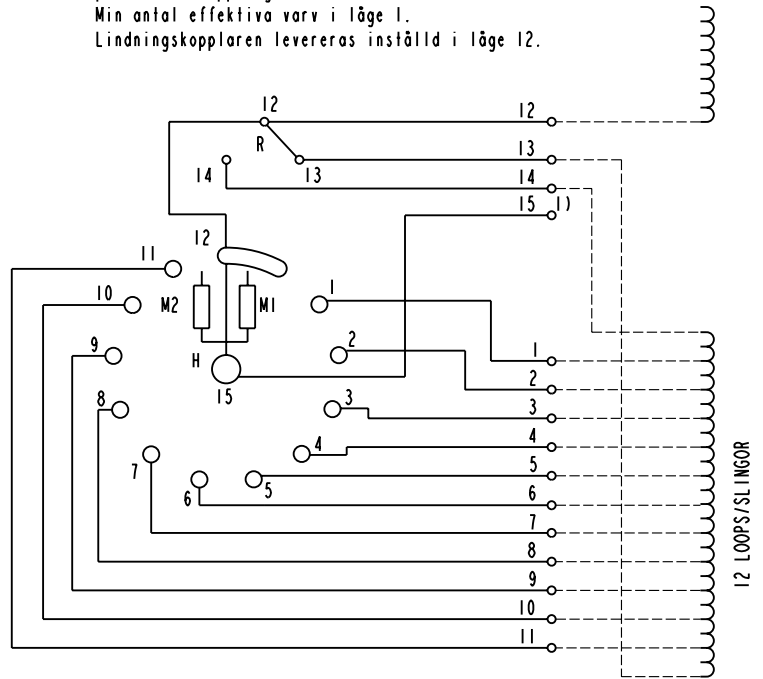
Min effective No. of turns in pos. 1.

The tap-changer is delivered set in pos. 12.

Lindningskopplare typ UZER., UZFR., 23 lägen, plus/minus-koppling.

Min antal effektiva varv i läge 1.

Lindningskopplaren levereras inställd i läge 12.

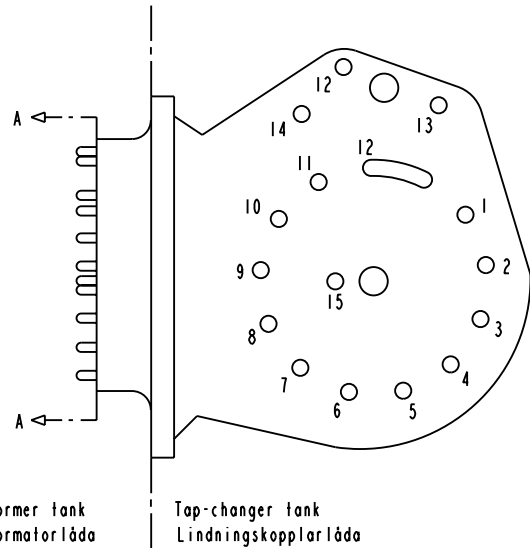


The tap-changer is shown in pos. 12
Lindningskopplaren visad i läge 12

R Change-over selector
Plus/minus-omkopplare

H Main contact
Huvudkontakt

M1, M2 Transition contacts
Motståndskontakter



Transformer tank
Transformatorlåda

Tap-changer tank
Lindningskopplarlåda

Sheet	Cont
Year	Week
Dept	
Rev	Inc
Appd	Year
Week	

Accepted for qual control R. Yngvesson	Accepted for prod by	Description (English) CONNECTION DIAGRAM	DATA ORIGINAL
Design checked by B-O. Stenestam	Drawn by L. Bergman	Description (own language) KOPPLINGSSCHEMA	File name 0397-8
Drawing checked by M. Hedlund	Issued by Dept Year Week COM/TKO 97 33	Lang Sheet 1	
Asea Brown Boveri		Rev Inc Cont -	

5492 0397-8