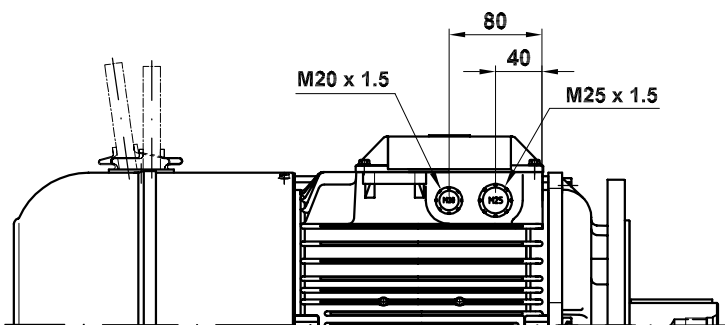
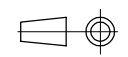


S = { Ø15 - Special IM 3001  
 M12 - Special IM 3601



A

# M3ARF/S 132

<b>Motor Dimension Print</b>	Motor Type : <b>M3ARF/S 132 IMB5(14) FF(T)-215</b>	Document N° : <b>AE 4431 5138-210R</b>
Description : <b>Brake motor flange mounted special (2 pieces) (Ø250) IM3001 or IM3601</b> <b>Motor freno con brida (2 piezas) (Ø250) IM3001 ó IM3601</b>		
Unit : <b>División Motores, Spain.</b> Date : <b>2004-06-22</b>	Issued by : <b>IKP/G.Blanes</b> Approved by : <b>IKP/G.Blanes</b>	Replaces : <b>To date 2003-11-28</b> Replaced by :
<b>ABB Automation Products, S.A.</b>	Customer Reference : 