

SAFETY PRODUCTS

Sense 9 Series

Magnetic Non-Contact Safety Switch

Data Sheet

Sense 9 is a coded magnetic non-contact safety switch used for interlocking doors and hatches.

The switch is mounted on the frame and the actuator on the moving part of the guard.

Sense 9 offers an interlocking function reaching Pl_e/SIL 3 with low level coding.



Easy to install

Compact size

Compact in size to make it easy to position and hide on gates and hatches.

Large sensing distance

With a large sensing distance and a high tolerance for misalignment makes it easy to install.



Continuous operation

Easier Troubleshooting

LED indication gives visual status of the switch reducing downtime.

No wear, no mechanical breakage

Non-contact sensing means no mechanical wear and the large sensing tolerance gives a better tolerance to vibrations, resulting in fewer unwanted process stops.



Optimum Interface

Small Design

Small footprint makes it easy to install in restricted space.

Industry Footprint

Standard industry footprint for smaller magnetic non-contact switches.

Ordering Information

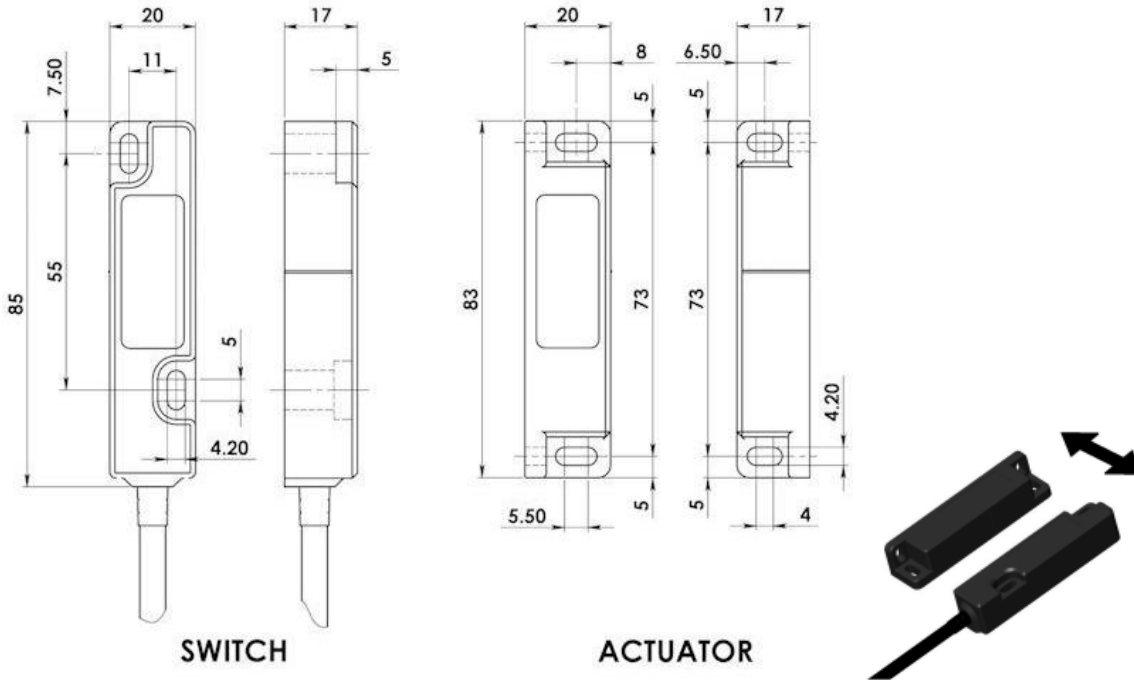
Description	Material Housing	Type	Order code
Sense 9, 2m cable, 2NC/1NO, LED	Polyester	Sense 9	2TLA050058R4100
Sense 9, 5m cable, 2NC/1NO, LED	Polyester	Sense 9	2TLA050058R5100
Sense 9, 10m cable, 2NC/1NO, LED	Polyester	Sense 9	2TLA050058R6100
Sense 9, QC cable, 2NC/1NO, LED	Polyester	Sense 9	2TLA050058R2100

Note: Quick connect M12 versions fitted with 250mm (10") cable

Accessories

Description	Material Housing	Order code
Sense 9 Spare Actuator	Polyester	2TLA050040R0213

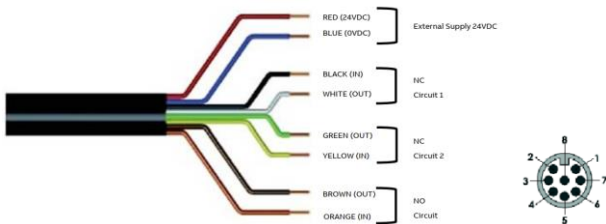
Dimensions (in mm)



Wiring

Quick Connect (QC) M12 8pin	Flying Lead Colors	Circuit (Actuator Present)	Output Types Solid State
2	Red	Supply 24VDC	Supply 24VDC +/- 10%
3	Blue	Supply 0VDC	
7	Black	Safety NC1 +ve	200mA Max. 24VDC
1	White	Safety NC1 -ve	
4	Yellow	Safety NC2 +ve	200mA Max. 24VDC
6	Green	Safety NC2 -ve	
8	Orange	Auxiliary NO	200mA Max. 24VDC
5	Brown	Auxiliary NO	

Note: The NC1 and NC2 Outputs are polarity sensitive.



Technical Data

Manufacturer	
Address	ABB Electrification Sweden AB SE-721 61 Västerås Sweden
Electrical characteristics	
Minimum switched current	10VDC 1mA
Dielectric withstand	250 VAC
Safety channel 1-NC	24VDC 0.2 A max. rating
Safety channel 2-NC	24VDC 0.2 A max. rating
Safety channel 3-NO	24VDC 0.2 A max. rating
Insulation resistance	100 MOhms
Power Consumption	25mA Max.
General	
Recommended setting gap	5 mm
Switching Distance (target to target)	S _{ao} 8 mm close (ON) S _{ar} 20 mm open (OFF)
Tolerance to misalignment	5 mm in any direction from 5 mm setting gap
Switching frequency	1.0 Hz maximum
Approach speed	200 mm/m to 1000 mm/s
Vibration resistance	IEC 68-2-6, 10-55 Hz 1 mm
Shock resistance	IEC 68-2-27, 11 ms, 30 g
Protection class	IP67
Response Time (OFF)	60ms Maximum
Cable Type	PVC 8 core 6 mm O.D
Ambient temperature	-25 °C to +50 °C, +80 °C for short duration during CIP/SIP cleaning
Size	85mm(length) x 20.6mm(width) x 17mm (height)
Material	UL approved polyester
Color	Red
Mounting Position	Any
Mounting Bolts	2 x M4 Tightening torque 1.0Nm
Safety-related characteristic data and Conformity	
Conformity	European Machinery Directive 2006/42/EC EN ISO 12100:2010, EN ISO 14119:2013, EN ISO 13849-1:2015, EN 60947-5-3:2013
EN ISO 13849-1	Up to PLe Category 4 (if both channels are used with a PLe control device)
EN 62061	Up to SIL3 depending on system architecture
Coding Level according to EN ISO 14119	Low
Safety data	
PFH _D	2.6 x 10 ⁻¹⁰ (1/h)
Proof test interval (life)	20 years
MTTF _d	866 years
Certifications	TÜV, cULus
Information with regard to UL 508	Type 1 Enclosure Max. Temp: 50°C Maximum output 24V.dc 100mA. Powered by Class 2 or equivalent.

ABB Inc.
305 Gregson Drive
Cary, North Carolina 27511
United States
electrification.us.abb.com/
products/machine-motor-control

We reserve the right to make technical changes or modify the contents of this document without prior notice. With regard to purchase orders, the agreed particulars shall prevail. ABB AG does not accept any responsibility whatsoever for potential errors or possible lack of information in this document.

We reserve all rights in this document and in the subject matter and illustrations contained therein. Any reproduction, disclosure to third parties or utilization of its contents – in whole or in parts – is forbidden without prior written consent of ABB AG.
Copyright© 2022 ABB
All rights reserved