

NOTES:

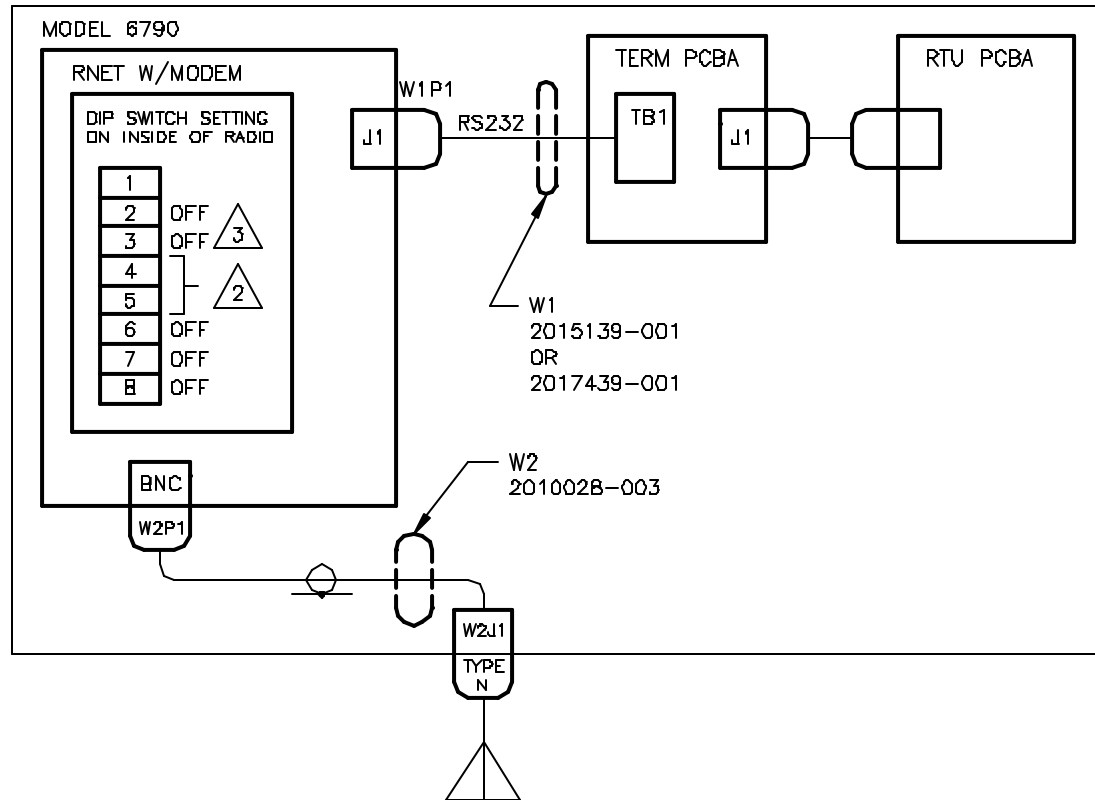
- RADIO KEY DELAY MUST BE SET BETWEEN 200 & 250 MS. APPROPRIATE SOFTWARE CONTAINING PROM RAD DELAY MUST BE USED.

2 SWITCH SETTING FOR BAUD RATE

SWITCH 4	SWITCH 5	BAUD RATE
OFF	OFF	9600
OFF	ON	4800
ON	OFF	2400
ON	ON	1200

3 ON FOR 60 SECOND TIME-OUT TIMER

REVISIONS					
REV	ACTION	DRAWN	CHECKED	APPROVED	DATE
AA	L4745	KASTNER	KASTNER	HOLLAND	97/10/2
AB	D4978	KASTNER	KASTNER	HOLLAND	97/11/21
AC	D12450	KASTNER	KASTNER	HOLLAND	01/12/17



ASSEMBLY/QUANTITY	ITEM NO.	PART NUMBER	DESCRIPTION	REF/ZONE	DESIG MATERIAL	UNIT MEAS	
PARTS LIST							
DG NOT SCALE DRAWING THIRD ANGLE PROJECTION 		UNLESS OTHERWISE SPECIFIED DIMENSIONS ARE IN INCHES TOLERANCES ARE: DECIMAL .XX ± --- ANGULAR .XXX ± --- BREAK ALL SHARP CORNERS AND EDGES DIMENSIONS APPLY BEFORE FINISH		PRODUCT LINE TOTALFLOW LEVEL 3 DESIGN G. HOLLAND DATE 97/9 DRAWN A. KASTNER DATE 97/9/29 CHECKED A. KASTNER DATE 97/10/2 APPROVED G. HOLLAND DATE 97/10/2		TOTALFLOW Products FILE WIRING INTERCONNECT RNET W/MODEM TO RTU PCBA W1 SCALE NONE SIZE B PFC WI DRAWING ID. 2017450 AC REV 1 OF 2	

