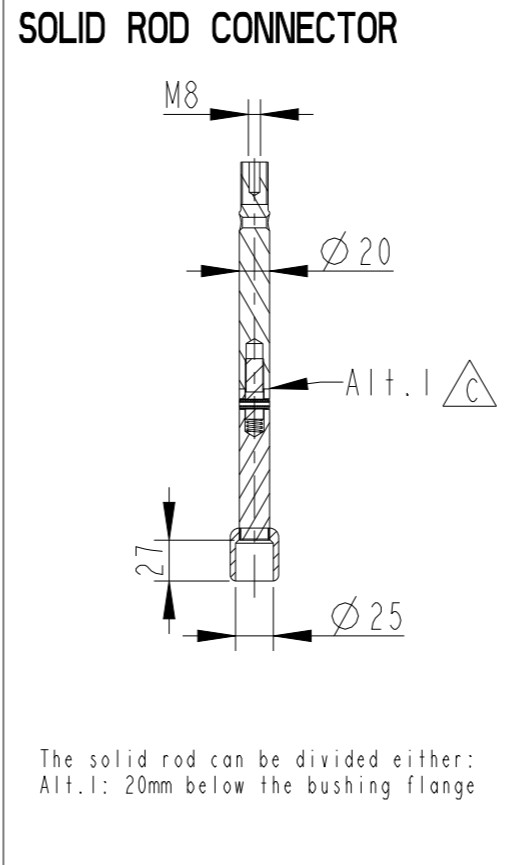
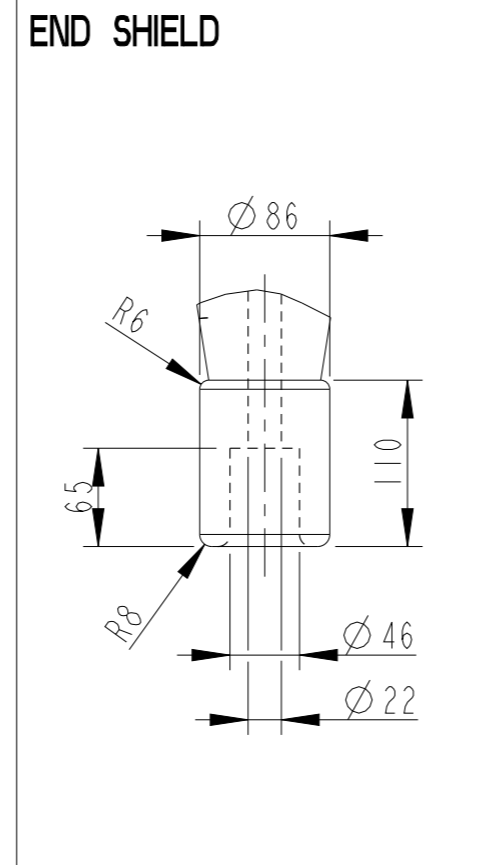
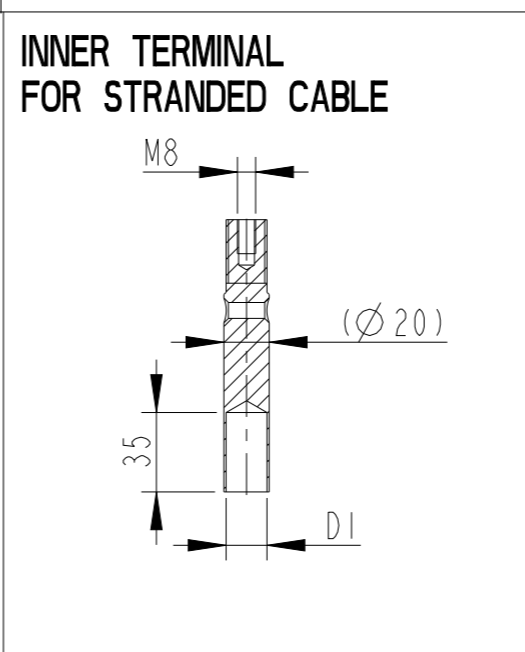
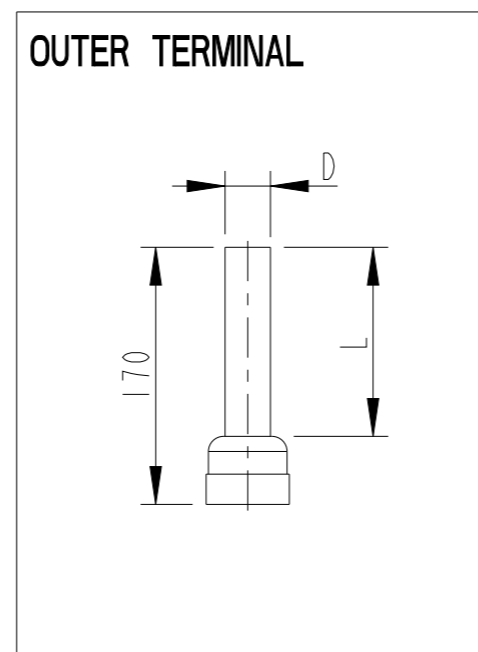
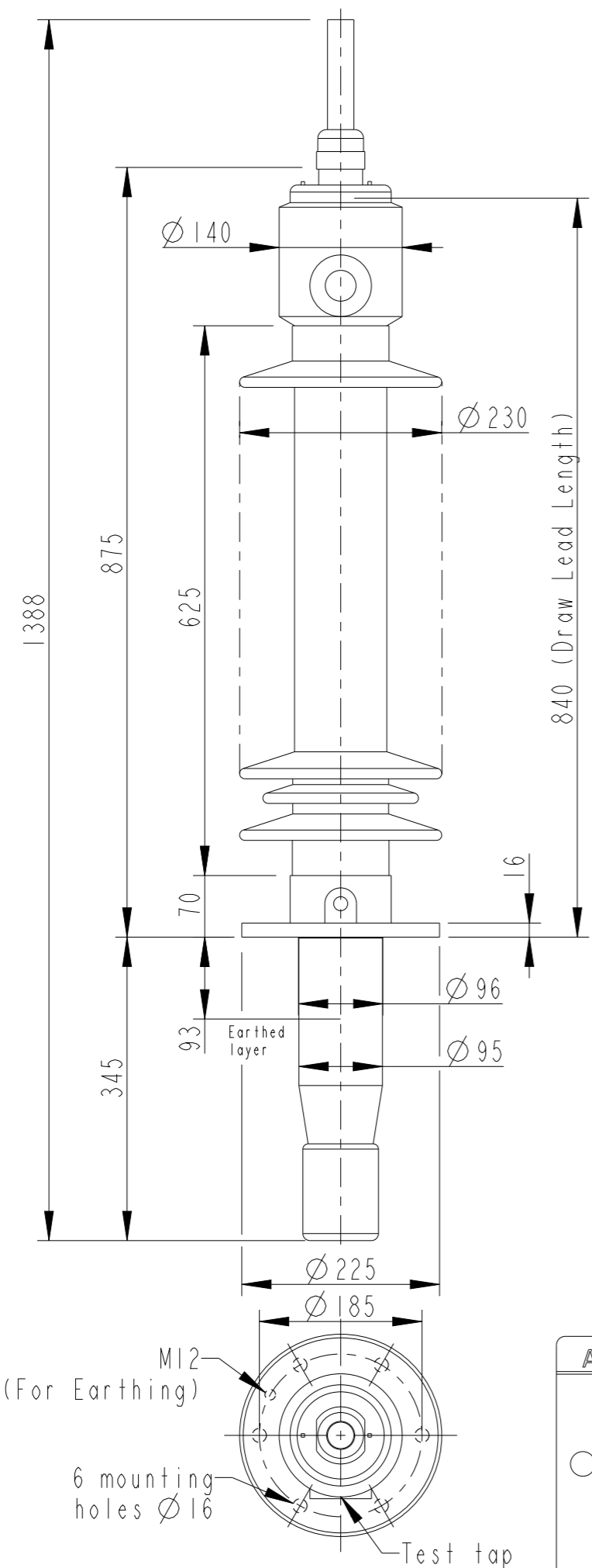


This document is issued by means of a computerized system. The digitally stored original is electronically approved. The approved document has a date entered in the "Approved"-field. A manual signature is not required.

We reserve all rights in this document and in the information contained therein. Reproduction, use or disclosure to third parties without express authority is strictly forbidden.



Note:
Mounting inclination 0-45°.
For inclined and horizontal mounting,
see Installation and Maintenance Guide.

Revision	Revision text
C	Removed Alt.2, Changed the Phase to ground voltage from 72.5 to 42kV

Bushing Data:

Rated Voltage	72.5	kV
Phase to Ground Voltage	△C 42	kV
Dry Lightning Impulse 1,2/50µs	350	kV
Wet power frequency AC	140	kV
Routine test Imin dry 50Hz	160	kV
Rated Current	800	A
Creepage Distance	2240±50	mm
Creepage Distance Protected	775	mm
Mass	37	kg

Ordering Data:

BUSHING	COLOUR	AIR INSULATOR	
LF123177-M	BROWN		
-N	LIGHT GREY		
OUTER TERMINAL	Material	D	L
LF 170 002-A	Cu Alloy	∅ 30	125
LF 170 001-A	Al	∅ 30	125
OTHER TYPES ON REQUEST			
INNER TERMINAL FOR STRANDED CABLE	Conductor area	D1	
LF 170 011-S	up to 150mm²	∅ 18	
LF 170 011-U	Undrilled with pilot hole	∅ 5	
For crimping or brazing	Conductor area	D1	
LF 170 010-M	50mm²	∅ 11	
LF 170 010-N	70mm²	∅ 13	
LF 170 010-L	95mm²	∅ 15	
SOLID ROD CONNECTOR	Material		
LF 170 019 -AN for Alt.1	Cu		
TERMINAL PLATE	Material		
LF 170 014-A	Aluminium		
LF 170 021-A	Nickel-Plated Copper		

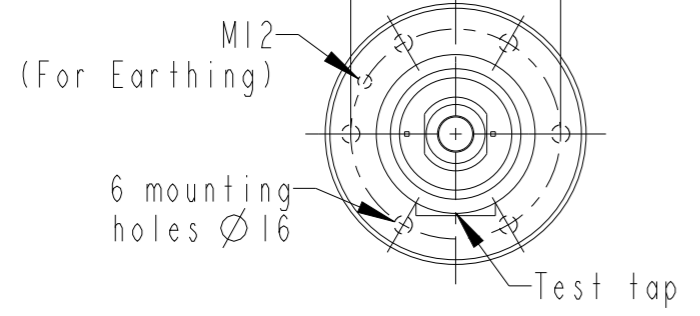


ABB		Ludvika, Sweden	
No.			
Um	kV Ir	A	50/60 Hz
BIL	kV SIL	kV AC	kV
M	kg L	mm	✓
C1	pF Tan δ	x	
C2	pF Tan δ	x	

Created by Balaji.G.R	Reviewed by Joakim Persson	Approved by Natalia Gutman
Approved 2020-07-30	Document Kind Outline Drawing	Based on doc.id Work order id Project id
Company ABB Technology Ltd	Title, Supplementary title GOB 325-800-0 WITH OIL LEVEL GAUGE LONG END SHIELD	
Responsible Department SEABB-9AAE300824	Document id 2751369-182	Status Released
ABB		Revision C
		Iteration 1/1
		Sheet 1/1