

Stanilite®

Platinum flood light LED weatherproof Nexus®



Catalogue no.	Description
Nexus products	
SGWPFLNRF210LEDP	Platinum flood light LED weatherproof Nexus RF 2x10W non-maintained
Spare parts	
03-01316P	Battery LiFePO4 12.8V 6.4Ah
15-10027	Lamp LED 10W

Range

Platinum range

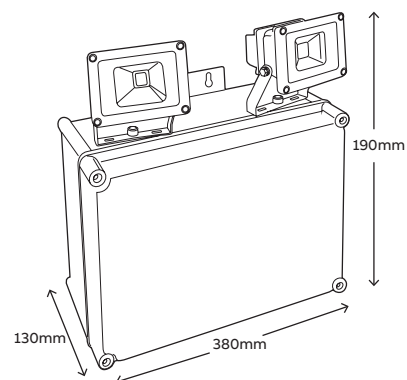
Product group

Flood light LED



Features

- LED technology 100,000 hours plus lamp life
- Low power consumption and LED light source for reduced operation and maintenance costs
- Weatherproof rating IP65
- Advanced charging technology combined with Lithium iron phosphate battery for long life and low maintenance
- Nexus monitored, wireless
- RF frequency range 920 - 925 MHz
- Light output typically 600 lumens per lamp head
- Beam angle 120° flood
- Lamp heads can be rotated and tilted to suit particular installation requirements
- Easy to maintain and low maintenance cost
- Wall mounting
- UV stabilised enclosure
- Ambient operating temperature; 10°C to 40°C



Dimensions		
Length	Width	Height
380mm	130mm	190mm

Weight	
Model	Weight
Nexus RF	4.0kg

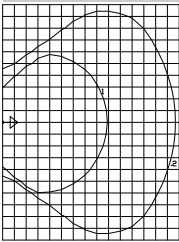
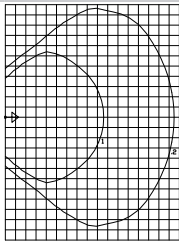
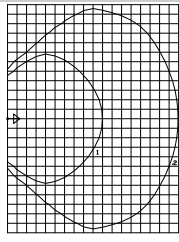
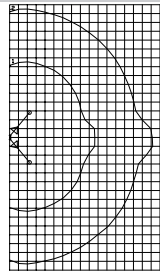
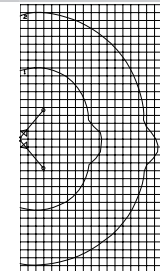
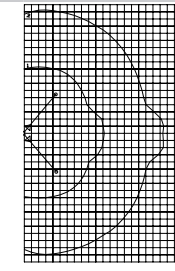
Construction	
Part	Construction
Body and cover	Polycarbonate
Lamp head	Diecast aluminium and steel bracket, white powder coated. Glass lens

Light source	
Model	Light source
Nexus RF	LED 10W

Power consumption	
Model	Power consumption
Nexus RF	42mA average / 130mA maximum

Photometrics

The photometric data below is calculated for a LED weatherproof flood light mounted at 3 metres, 4 metres and 5 metres. The lamp head must be positioned and aimed as shown in the drawings below.

1x10W LED weatherproof flood light Tilt 50°			2x10W LED weatherproof flood light Tilt 50°		
Mounted 3m AFL	Mounted 4m AFL	Mounted 5m AFL	Mounted 3m AFL	Mounted 4m AFL	Mounted 5m AFL
					
Area coverage 0.2 lux min					
200m ²	265m ²	320m ²	340m ²	420m ²	500m ²
Area coverage 1.0 lux min					
85m ²	95m ²	105m ²	123m ²	143m ²	160m ²

Note:

- The outer line represents 0.2 lux and inner line 1.0 lux
- Gridlines are 1 metre spacing
- AFL = Above Floor Level

Note:

- Complies to IEC60598.2.22 and AS2293