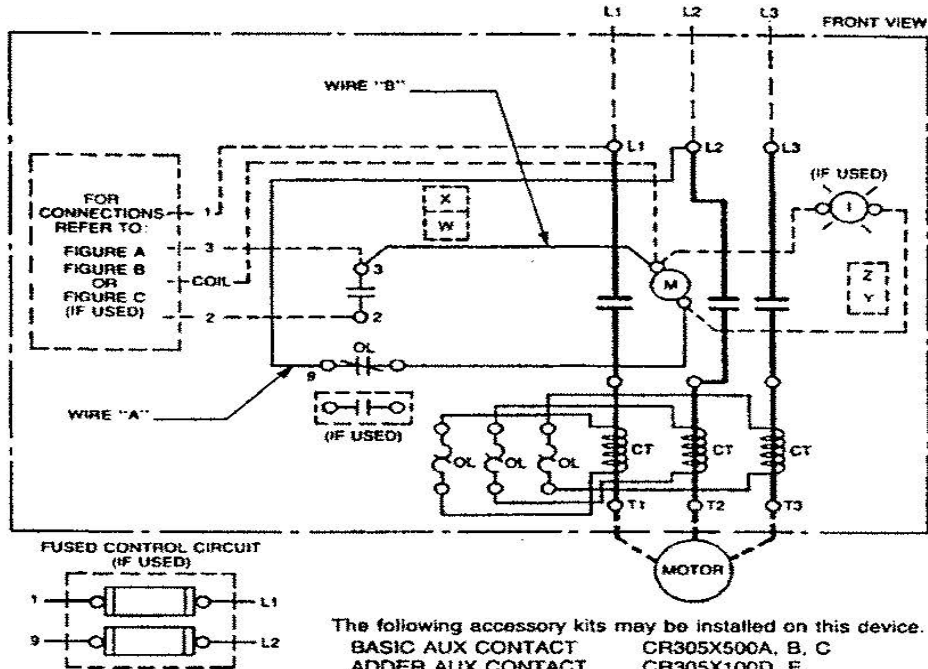
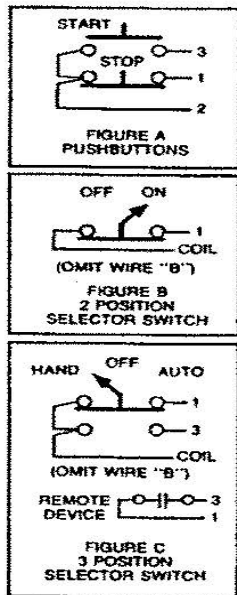


GEJ-6330 Information Label

# CR307, CR308, CR387 Magnetic Starter

NEMA Size 5



The following accessory kits may be installed on this device.

- BASIC AUX CONTACT CR305X500A, B, C
- ADDER AUX CONTACT CR305X100D, E
- CONTROL CIRCUIT FUSE CR305X541A, B, C, D
- SURGE SUPPRESSOR CR305X146C
- SPACE HEATER CR305X705A, B, C, D
- CONTROL TRANSFORMER CR308XT5\*\*A, B

\*\* Voltage and Frequency Suffix

For CSA-GND KIT

- 1/2-IN CONDUIT 55-213403G001
- 3/4-IN CONDUIT 55-213403G002
- 1 1/2-IN CONDUIT 55-213403G005
- 2-IN CONDUIT 55-213403G006
- 3-IN CONDUIT 55-213403G008

CT—CURRENT TRANSFORMER

M—LINE CONTACTOR

I—INDICATING LIGHT

OL—OVERLOAD RELAY. Heaters to be mounted by purchaser.

Use 75°C, copper conductors only, for field wiring. Torque line and load terminals as shown at right:

	Line	Load
CR307	As Marked	300 lb-in
CR308	As Marked	300 lb-in
CR387	As Marked	300 lb-in

FOR SEPARATE CONTROL—Omit wire "A" and connect control source to 9 on OL and to 1 on control device.

NOTE: Refer to the National Electrical Code. Additional control circuit overcurrent protection may be required.

Wire "A" has been omitted at factory on all forms having a coil voltage of 120 volts or less.

COIL (Order 55-530249G plus coil suffix number per table below)

60 Hz	115-120V	200-208V	230-240V	—	460-480V	575-600V
50 Hz	110V	—	220V	380V	440V	550V
Coil Suffix	002	023	003	064	004	005

### EXTRA AUXILIARY CONTACTS

Final Suffix Letter Of CR Number	Contact Location, See Diagram			
	W	X	Y	Z
A (Or None)				
B				
C				
D				
E				
F				
G				
H				
J				

### PRINCIPAL RENEWAL PARTS

3 Movable & 6 Sta Cont. . . . . 55-154607G041

These instructions do not cover all details or variations in equipment nor do they provide for every possible contingency that may be met in connection with installation, operation, or maintenance. Should further information be desired or should particular problems arise that are not covered sufficiently for the purchaser's purposes, the matter should be referred to your local ABB Sales Office.