

2021/11/04

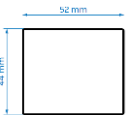
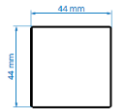
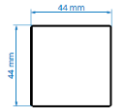
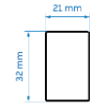
ABB British Standard wiring accessories

Installation boxes

Iñaki Merino



Function size



Function example

1-gang

2-gang

3-gang

4-gang

1 gang frame

2 gang frame

3 gang frame

4 gang frame

Rocker switch

AMD5120-ST, SB, AG, MG



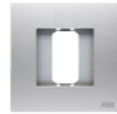
Premium rocker switch

AMD5044-ST, SB, AG, MG, WG, BG

AMD5244-ST, SB, AG, MG, WG, BG

AMD5344-ST, SB, AG, MG, WG, BG

AMD5444-ST, SB, AG, MG, WG, BG



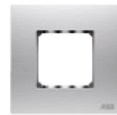
Half/Double rockers switch and other functions

AMD5144-ST, SB, AG, MG, WG, BG

AMD5244-ST, SB, AG, MG, WG, BG

AMD5344-ST, SB, AG, MG, WG, BG

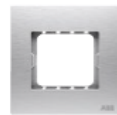
AMD5444-ST, SB, AG, MG, WG, BG



Triple rocker switch & KNX sensors

AMD5133-ST, SB, AG, MG, WG, BG

AMD5253-ST, SB, AG, MG, WG, BG



1-gang
BS standard

1-gang
BS deep

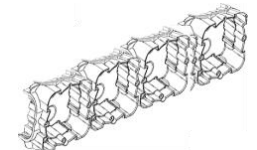
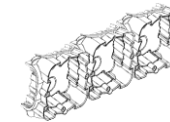
2-gang
standard

2-gang
deep



ABB Custom box

ABB Custom box



Screw distance:

60,3 mm

60,3 mm

120,6 mm

120,6 mm

60 mm x 3 boxes

60 mm x 4 boxes

Dimensions:

72 mm (H) x
72 mm (W) x
35 mm (D)

72 mm (H) x
72 mm (W) x
47 mm (D)

72 mm (H) x
132 mm (W) x
35 mm (D)

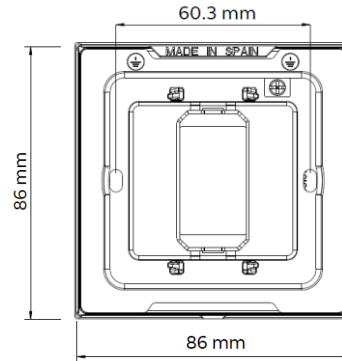
72 mm (H) x
132 mm (W) x
47 mm (D)

65 mm (H) x
65 (H) x
40 mm (D)

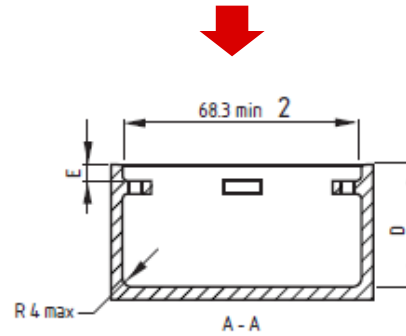
65 mm (H) x
65 (H) x
40 mm (D)

Millenium 1-gang

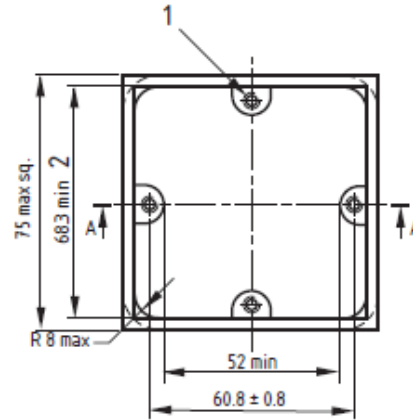
Critical
dimensions:



Box standard:
BS 4662



D= 35 mm (standard)
D= 25 mm (UK only)



Example boxes:

Product	Article-No.	Order-No.	Pack/Qty
---------	-------------	-----------	----------



BS box 1-gang – Standard 35 mm
Dimensions: 72x72x35 mm
Screw distance: 60,8 mm
Knockouts size: 20 and 25 mm
Includes earth terminal

Galvanized Steel

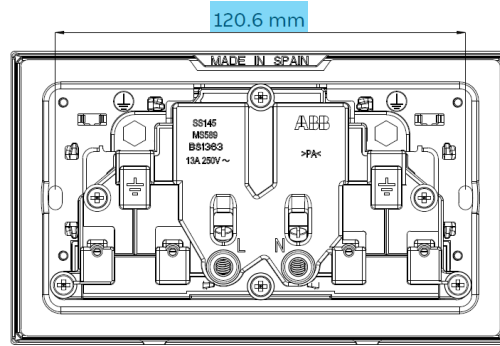


BS box 1-gang – Extra Depth 47 mm
Dimensions: 72x72x47 mm
Screw distance: 60,8 mm
Knockouts size: 20 and 25 mm
Includes earth terminal

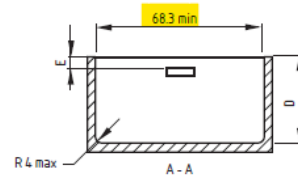
Galvanized Steel

Millenium 2-gang

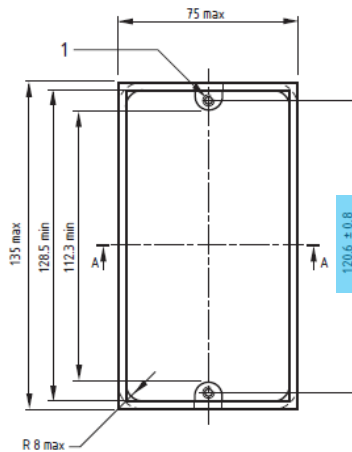
Critical
dimensions:



Box standard:
BS 4662



D= 35 mm (standard)
D= 25 mm (UK only)



Example boxes:

Product	Article-No.	Order-No.	Pack/Qty
---------	-------------	-----------	----------



BS box 2-gang – Standard 35 mm
Dimensions: 132x72x35 mm
Screw distance: 120,6 mm
Knockouts size: 20 and 25 mm
Includes earth terminal

Galvanized Steel



BS box 1-gang – Extra Depth 47 mm
Dimensions: 132x72x47 mm
Screw distance: 120,6 mm
Knockouts size: 20 and 25 mm
Includes earth terminal

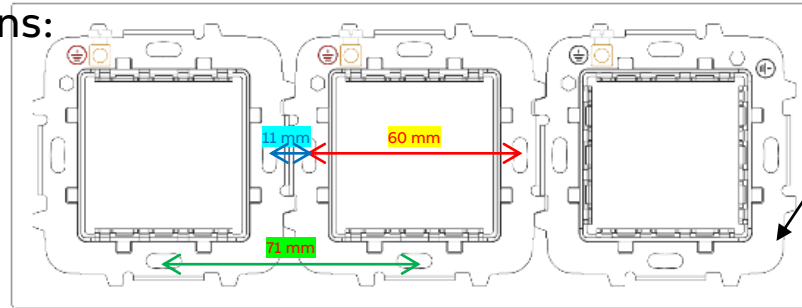
Galvanized Steel

Millenium

3-gang &
4-gang

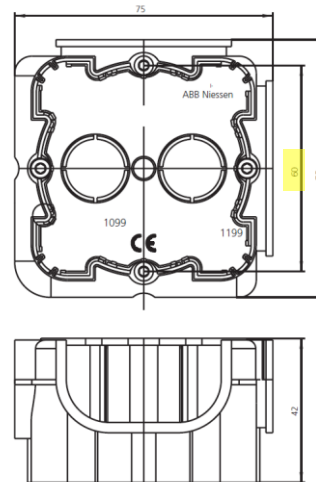
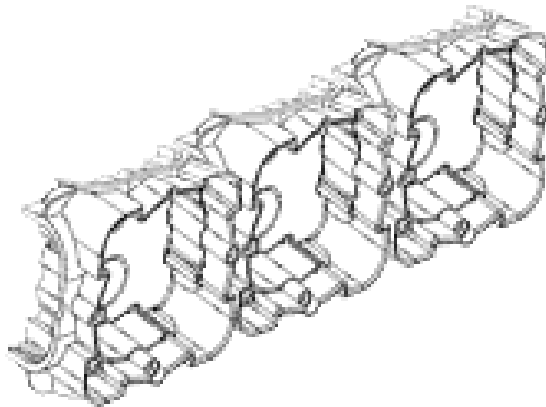
Critical dimensions:

Rear view



metal support included in the frame set

Box standard:



Example boxes:

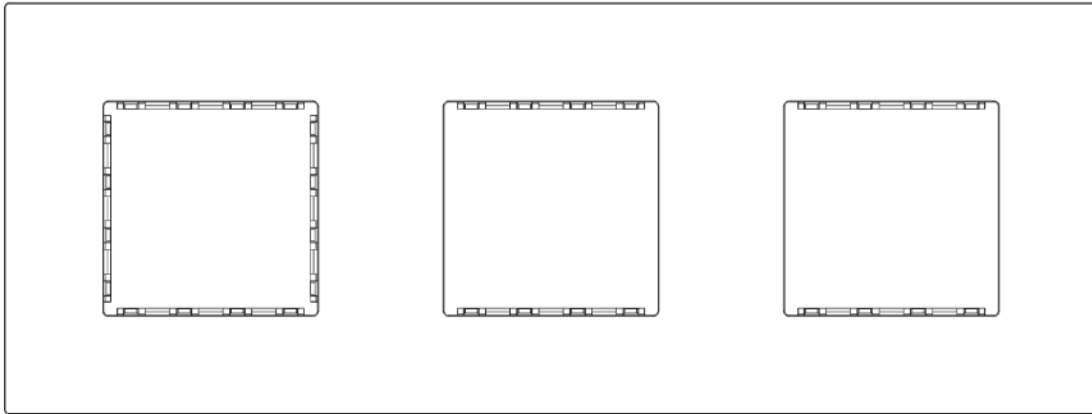
Product	Article-No.	Order-No.	Pack/Qty
	European-type box – Brick & Cement		
	Dimensions:	65x65x40 mm	
	Screw distance:	60 mm	
	Knockouts size:	20 and 25 mm	
	Combine with:	3 & 4 gang frames	
Black plastic	1099	2CLA009900A1001	5 0

Millenium

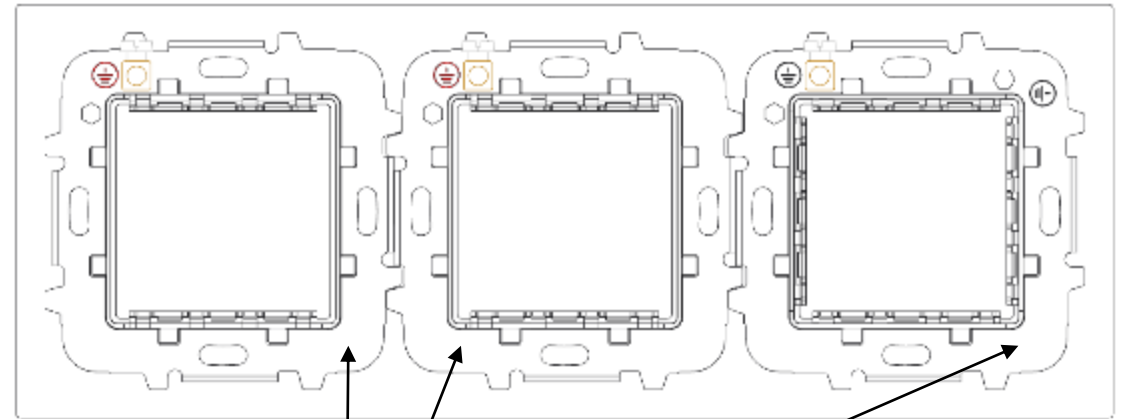
3-gang frames

AMD5344

Front view



Rear view



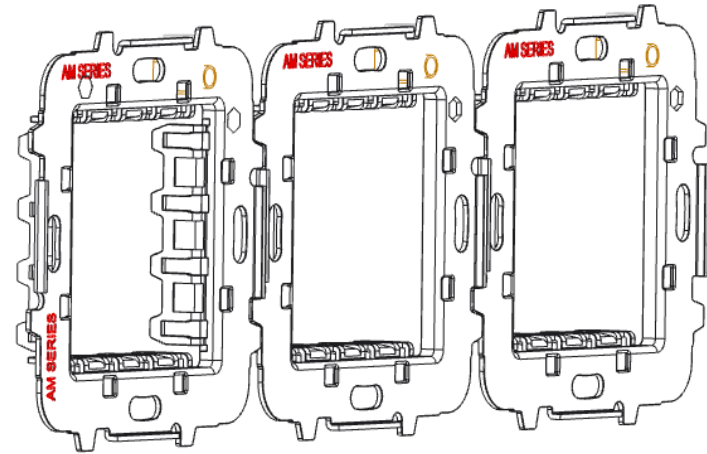
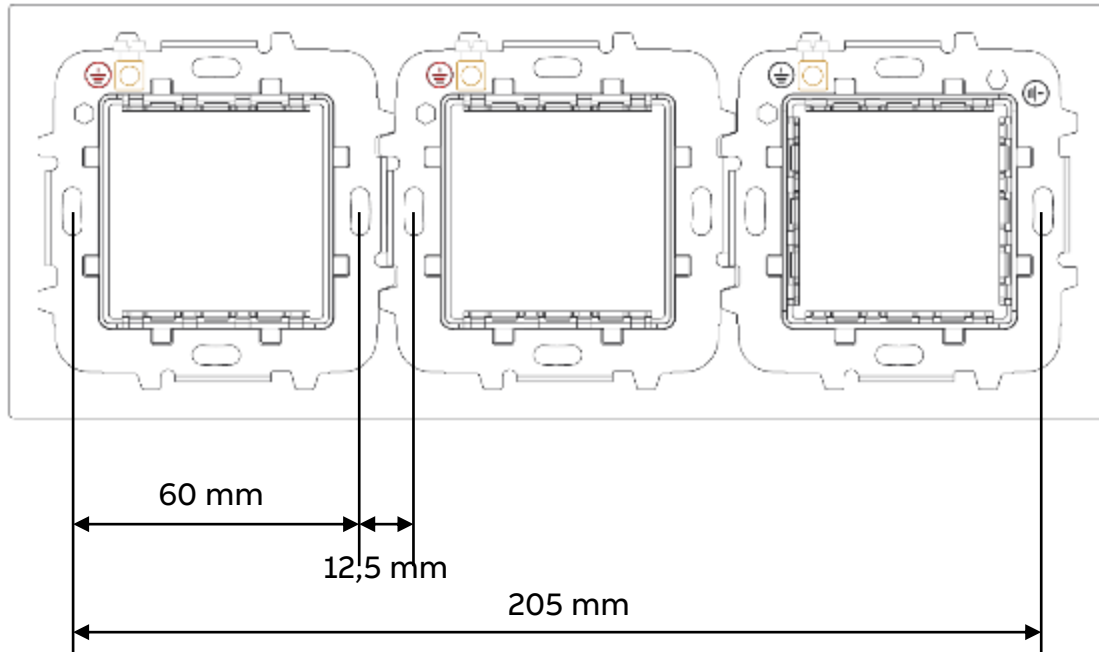
Frame does already include metal frame set

Millenium

3-gang frames

AMD5344

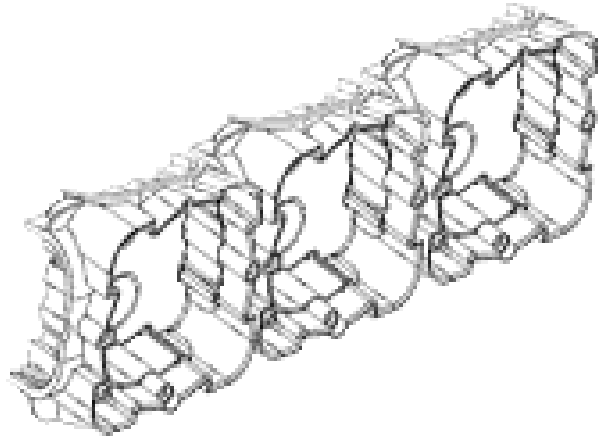
Rear view



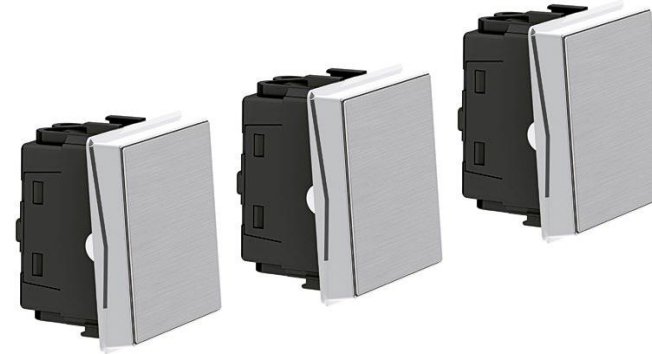
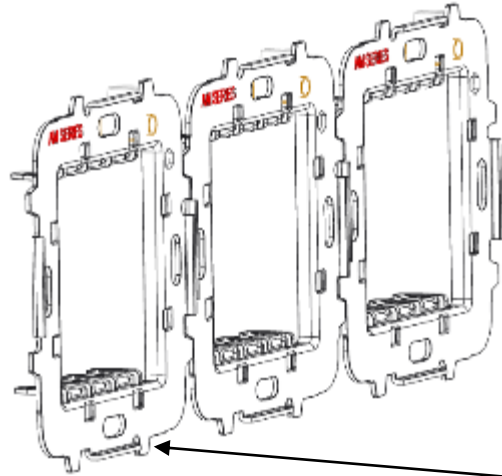
Millenium

3-gang frames example

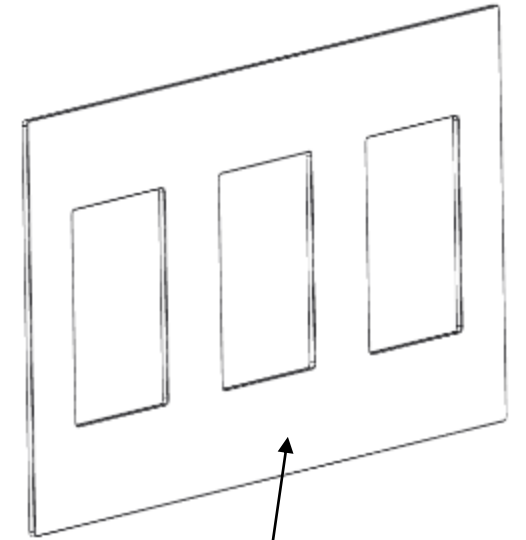
Exploded view



3x 1099
(boxes)



3x AMD10144
(switches)



1x AMD5344
(frame + metal grid)



Millenium Range

Example pictures

Millenium

Example pictures



1-gang functions
+ 1-gang BS box

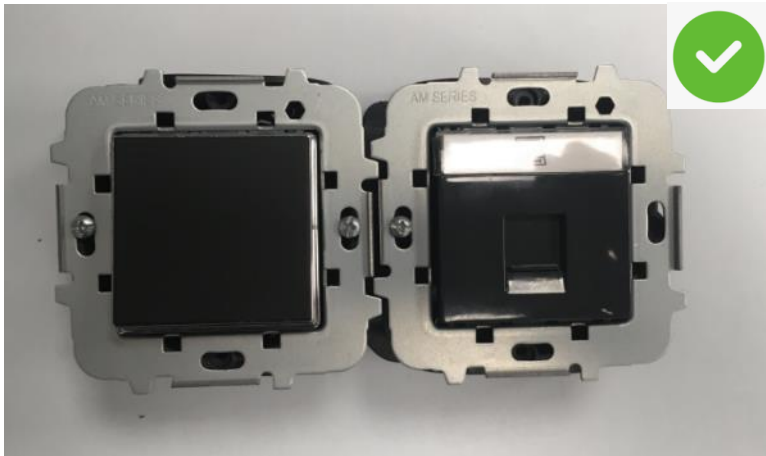
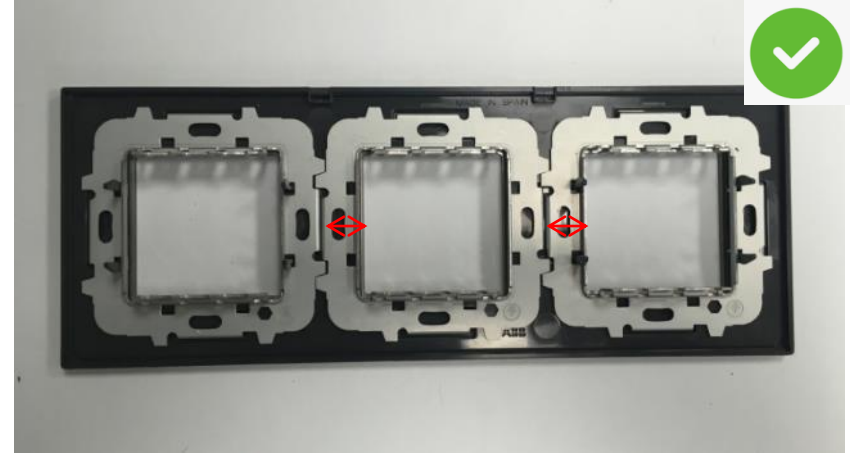


2-gang functions
+ 2-gang BS box



Millenium

Example pictures



Millenium

Example pictures



Modular functions + ABB custom box

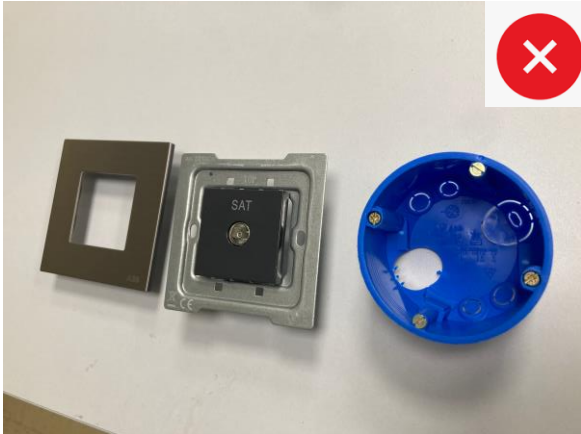


From a mechanical point of view, modular-type functions fitting 1G frames **AMD5144 or AMD5153** could be installed on **ABB Custom box 1099**. However it is required to check local certification to ensure that the installations fits the local standard.

BS socket outlets CANNOT be installed on ABB Custom box 1099.

Millenium

Example pictures



ABB