

We reserve all rights in this document and in the information contained therein. Reproduction, use or disclosure to third parties without express authority is strictly forbidden. © ABB 19

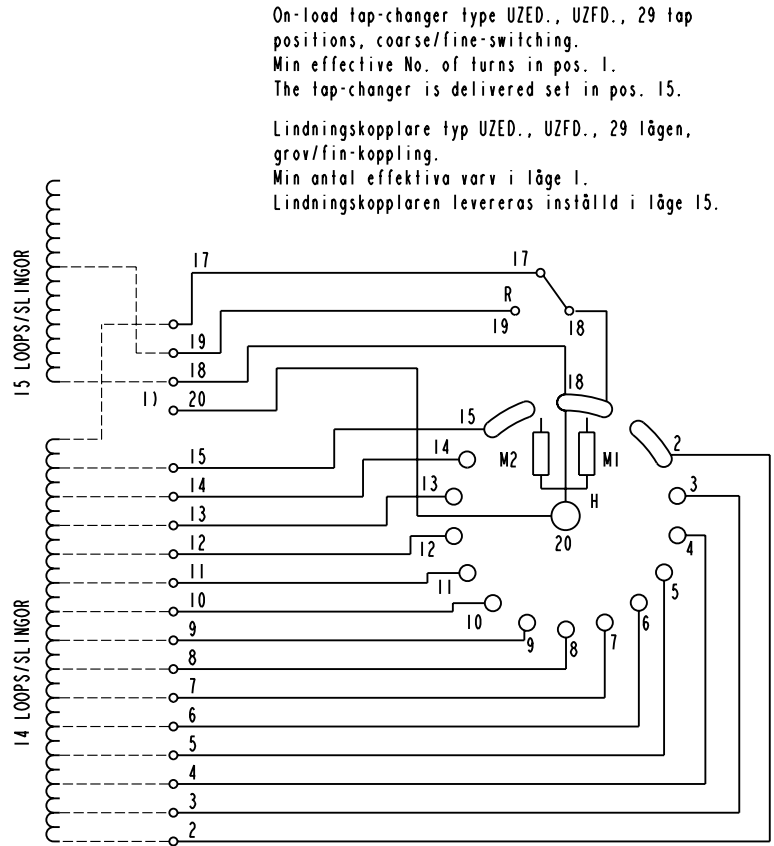
Pos. Lage	R connects förbinder	H connects förbinder	
29	17-18	2-20	
28		3-20	
27		4-20	
26		5-20	
25		6-20	
24		7-20	
23		8-20	
22		9-20	
21		10-20	
20		11-20	
19		12-20	
18		13-20	
17		14-20	
16A		17-19	15-20
16			18-20
15	2-20		
14A	3-20		
14	4-20		
13	5-20		
12	6-20		
11	7-20		
10	8-20		
9	9-20		
8	10-20		
7	11-20		
6	12-20		
5	13-20		
4	14-20		
3	15-20		
2			
1			

A position with letter is a through position and gives the same voltage as the normal position.

Läge med bokstav är ett genomloppsläge och ger samma spänning som normalläget.

1) Connections between the terminals 20 of the three phases are included in the star-point type.

Förbindningar mellan uttag 20 i de tre faserna ingår i nollpunktsutförandet.



On-load tap-changer type UZED., UZFD., 29 tap positions, coarse/line-switching.

Min effective No. of turns in pos. 1.

The tap-changer is delivered set in pos. 15.

Lindningskopplare typ UZED., UZFD., 29 lägen, grov/fin-koppling.

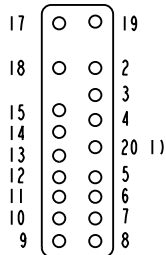
Min antal effektiva varv i läge 1.

Lindningskopplaren levereras inställd i läge 15.

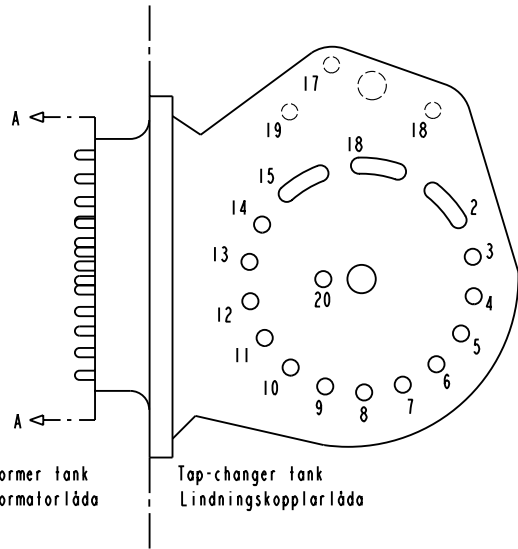
The tap-changer is shown in pos. 15
Lindningskopplaren visad i läge 15

- R Change-over selector
Grov/fin-omkopplare
- H Main contact
Huvudkontakt
- M1, M2 Transition contacts
Motståndskontakter

Terminal board Plint



Section A-A
Sektion A-A



Transformer tank
Transformatorlåda

Tap-changer tank
Lindningskopplarlåda

Sheet	Cont
Year	Week
Dept	
Rev In	Revision
Appd	Year Week
Accepted by	Accepted for prod by
Design checked by	Drawn by
Drawing checked by	Issued by Dept Year Week

Rev In Revision Appd Year Week

Accepted by R. Yngvesson Accepted for prod by

Design checked by B-O. Stenestam Drawn by L. Bergman

Drawing checked by M. Hedlund Issued by Dept Year Week COM/TKO 97 33

ABB Asea Brown Boveri

Description (English)
CONNECTION DIAGRAM

Description (own language)
KOPPLINGSSCHEMA

DATA ORIGINAL

File name
0398-9

Lang Sheet

1

Rev In Cont

-

5492 0398-9