

1

2

3

4

5

6

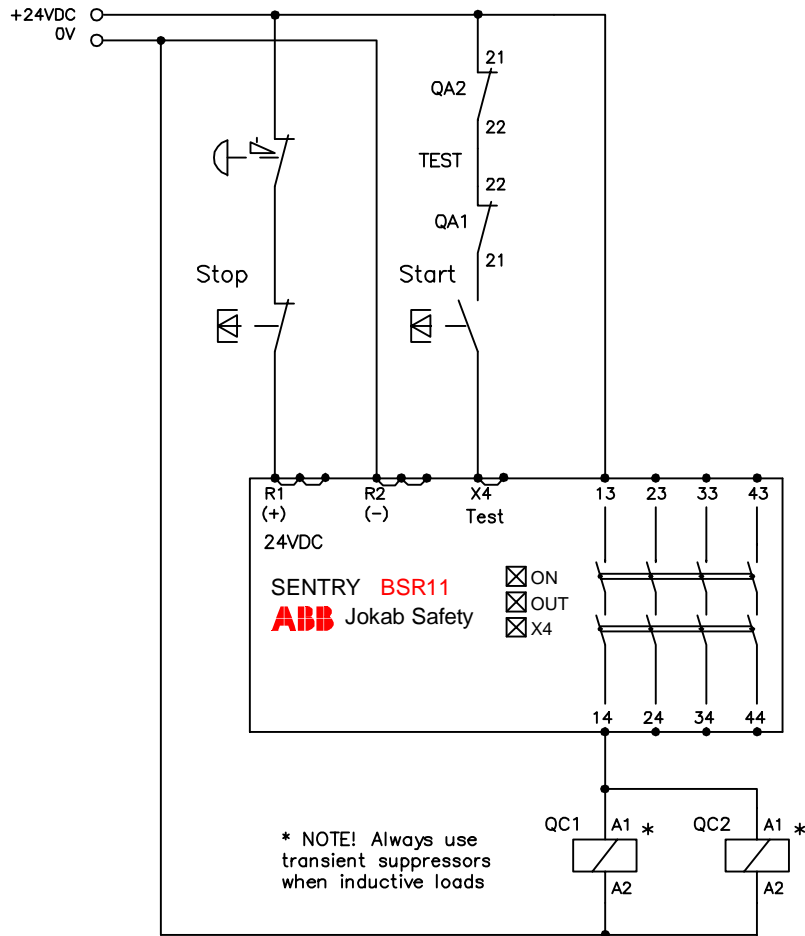
7

8

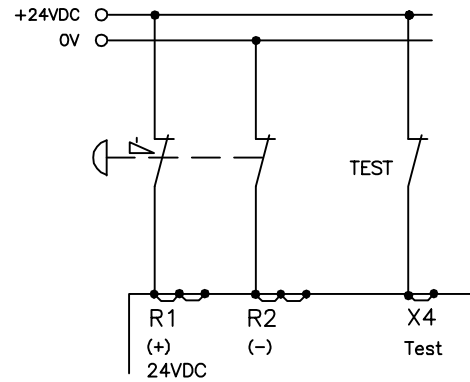
9

10

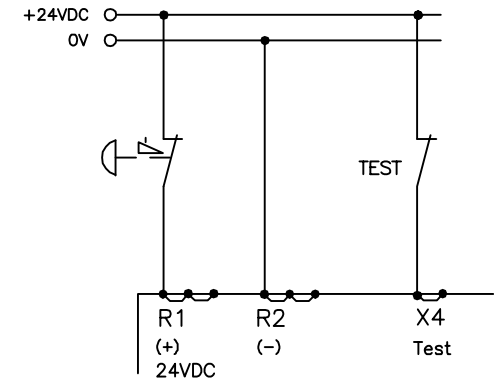
A) One signal from +24VDC, Start\*\* and Stop



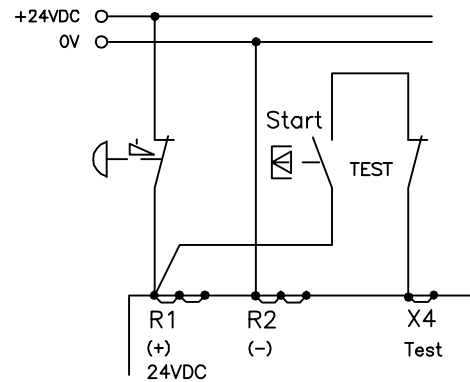
B) Two signals from +24 VDC/0 V



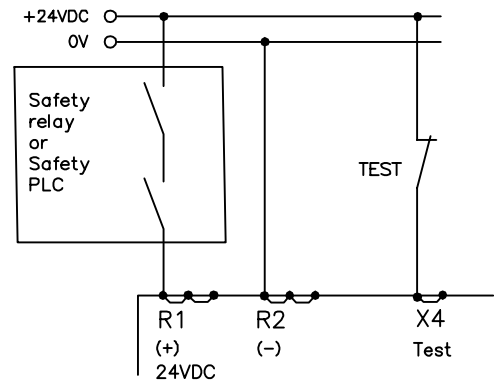
C) One signal from +24VDC



D) One signal from +24VDC, start\*



E) One signal from +24VDC



\*\* The Start function should not be used as Reset

Anmärkning Remark

BSR11 GENERAL CONNECTION

**ABB** Jokab Safety

Konstr Design ABB	Godk Appr	Datum Date 20210408	Blad Sheet
Ritad Drawn ABB	Sidor Pages	Ritn nr Drawing no 2TLC010005T0001	Forts Cont