

Stanilite®

Platinum Spitfire® LED weatherproof Nexus® non-maintained



Range

Platinum range

Product group

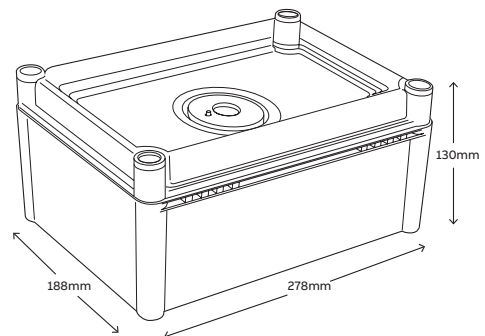
Spitfire LED



Features

- Superior photometric classification
- COB LED technology 100,000 hours plus lamp life
- Wide area coverage optics
- Low power consumption and COB LED light source for reduced operation and maintenance costs
- Polycarbonate IP67 weatherproof enclosure
- LiFePO4 (Lithium iron phosphate) battery combined with advanced battery charging technology for longer life
- Nexus monitored, either cabled or wireless
- Surface mount
- Low maintenance - ideal for car parks and coolrooms

Catalogue no.	Description
Nexus products	
SFBWPNXS1LEDP	Platinum Spitfire D40 COB LED WA optics weatherproof surface mount Nexus LX
SFBWPNXS2LEDP	Platinum Spitfire D63 COB LED WA optics weatherproof surface mount Nexus LX
SFBWPNRF1LEDP	Platinum Spitfire D40 COB LED WA optics weatherproof surface mount Nexus RF
SFBWPNRF2LEDP	Platinum Spitfire D63 COB LED WA optics weatherproof surface mount Nexus RF
Spare parts	
03-01301P	1LED with 2 Wire connection
03-01310PB	1LED/D40 COB with 3 wire connection
03-01303P	2LED/D63 COB with 2 wire connection
03-01311PB	2LED/D63 COB with 3 wire connection



Dimensions		
Length	Width	Height
278mm	188mm	130mm
Weight		
Model	Weight	
Nexus LX/RF	2.8kg	
Construction		
Part	Construction	
Lamp head	White polycarbonate	
Weatherproof enclosure	Polycarbonate	

Light source		
Model	Light source	
D40 COB LED	2W	
D63 COB LED	3W	

Power consumption		
Model	Power consumption	
Nexus LX/RF	1.0W	

Note: Preliminary results

Photometrics			
Model	Class	Classification	
D40 COB LED	C0	D40	
	C90	D40	
D63 COB LED	C0	D63	
	C90	D63	

Note: Preliminary results

Note:

- Designed to comply with AS2293 and meet relevant Australian EMC standards