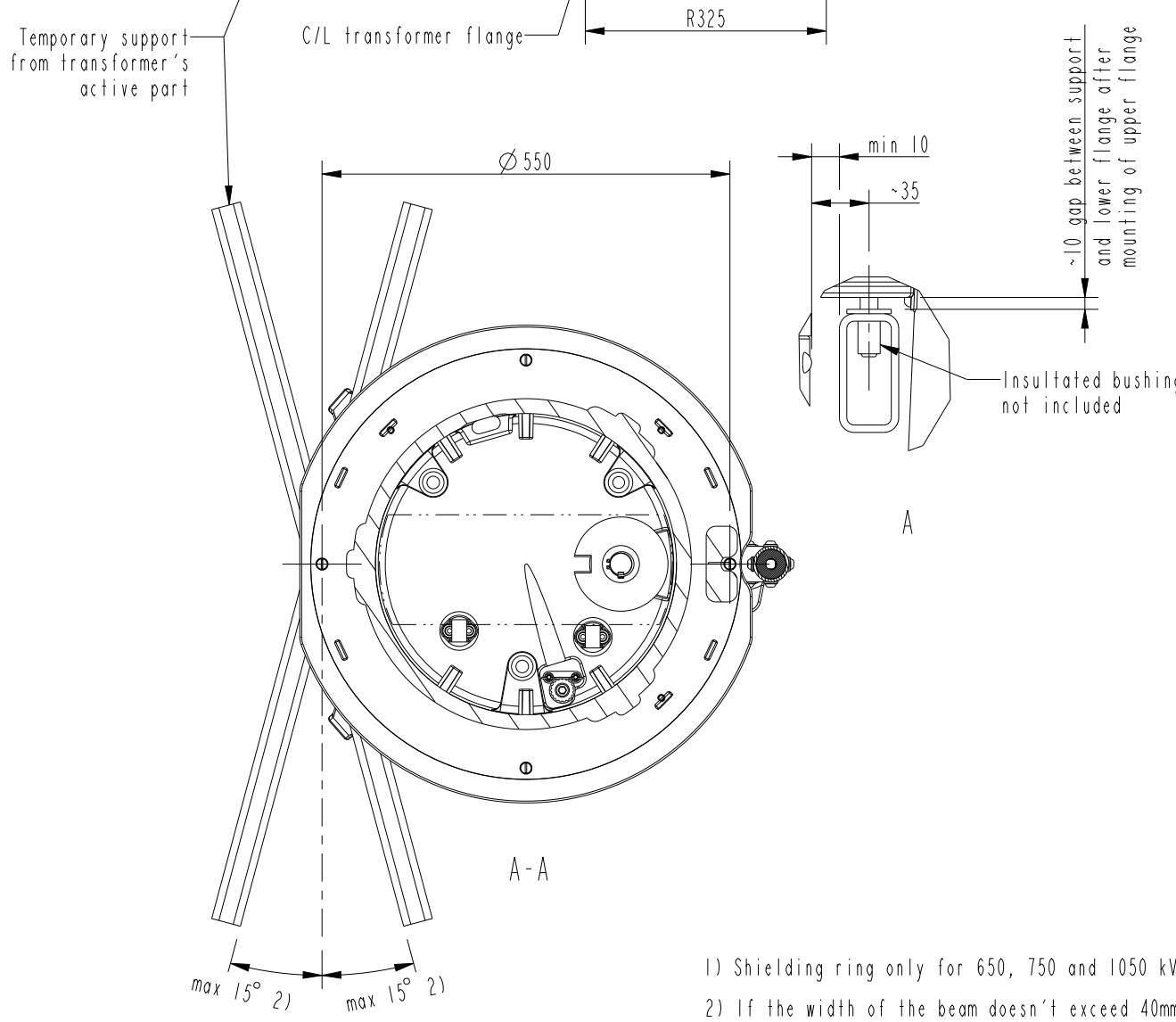
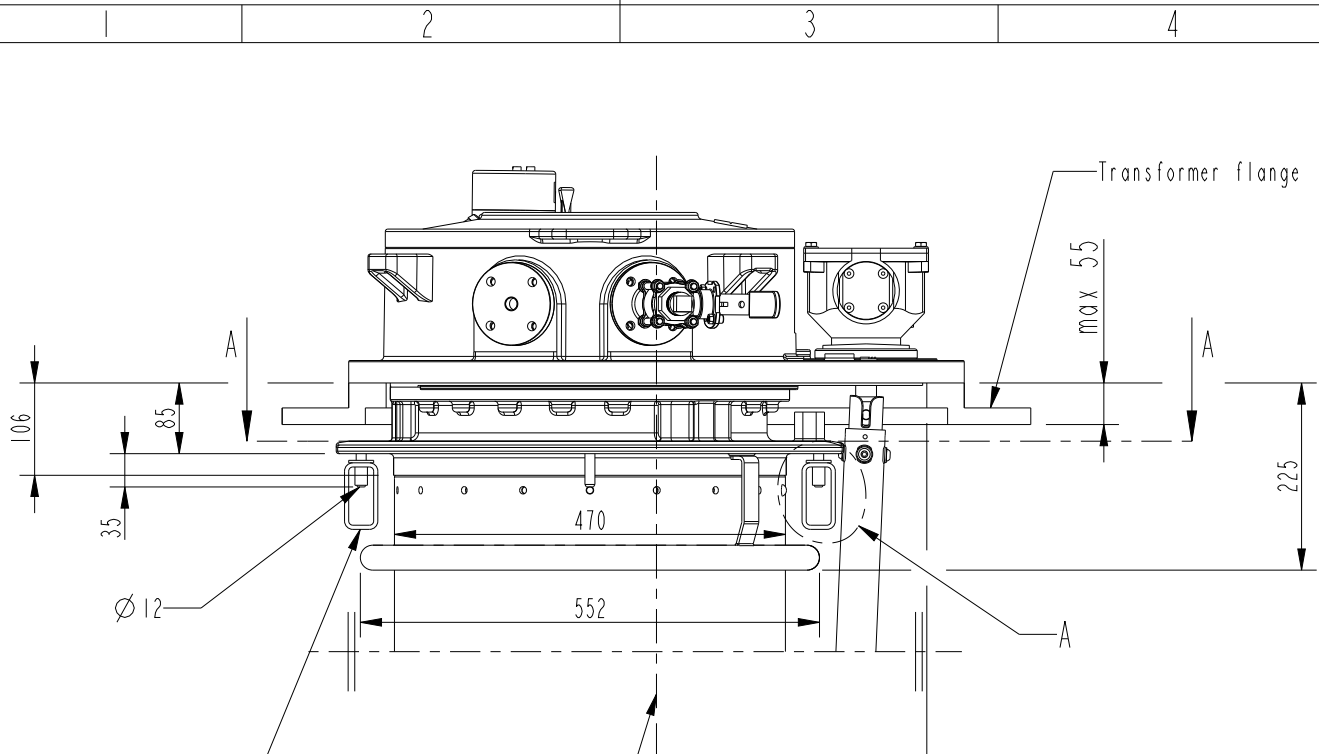


This document is issued by means of a computerized system. The digitally stored original is electronically approved. The approved document has a date entered in the 'Approved'-field. A manual signature is not required.



- 1) Shielding ring only for 650, 750 and 1050 kV
- 2) If the width of the beam doesn't exceed 40mm

We reserve all rights in this document and in the information contained therein. Reproduction, use or disclosure to third parties without express authority is strictly forbidden. © Copyright 2015 ABB. All rights reserved.

Date / Approved 2014-12-01		Responsible department PPCO/TK		Document Kind DIMENSION DRAWING			
ABB		Title Mounting on active part Montering på aktiv del				Revision B	
		Document Id. 54920103-1				Language 82	
				Sheet 1/1			