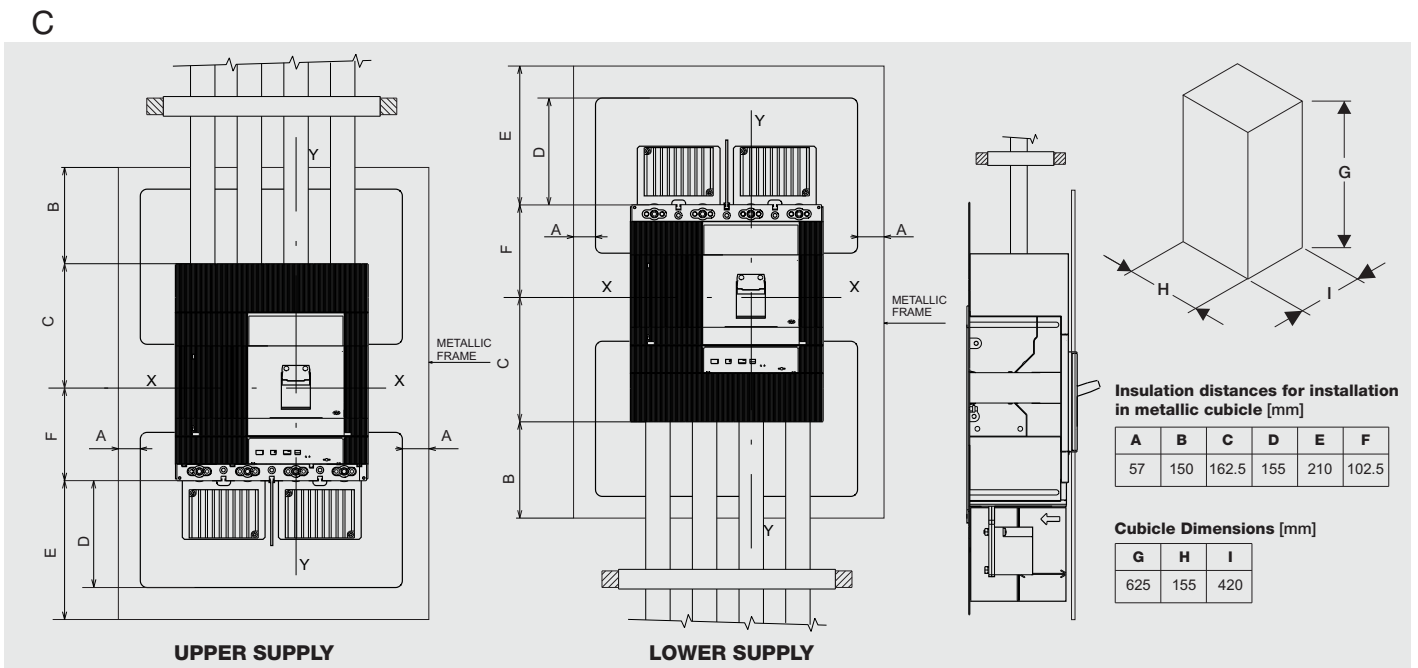
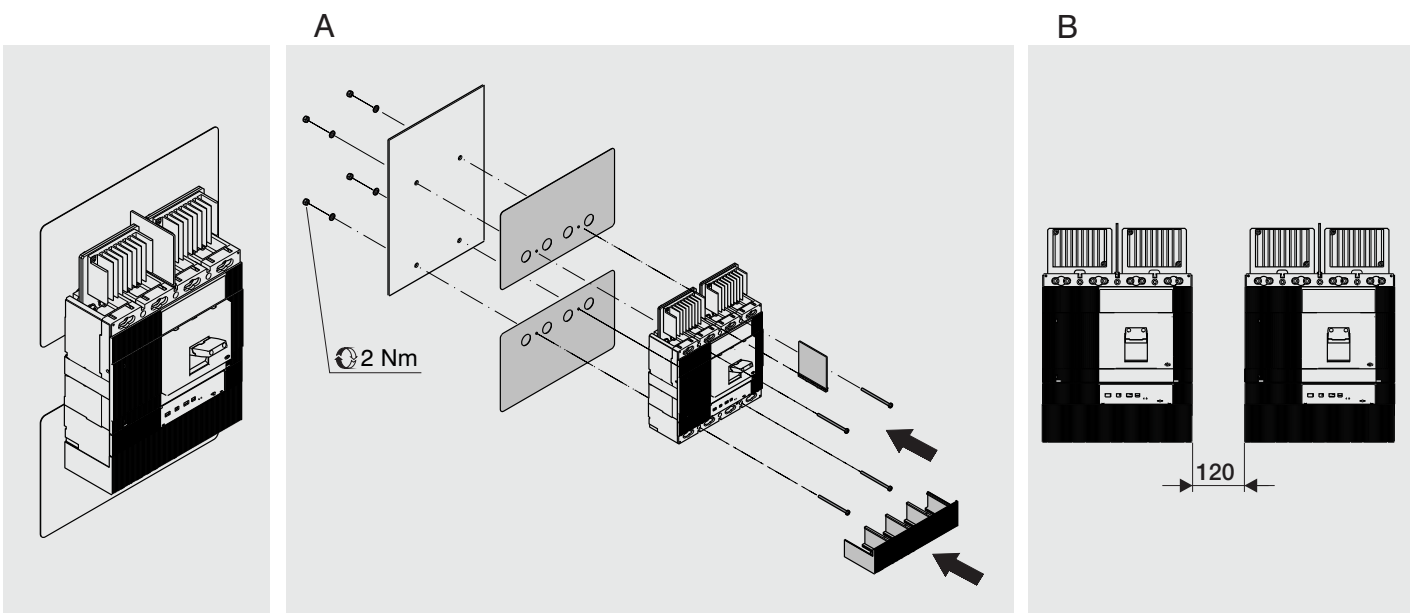


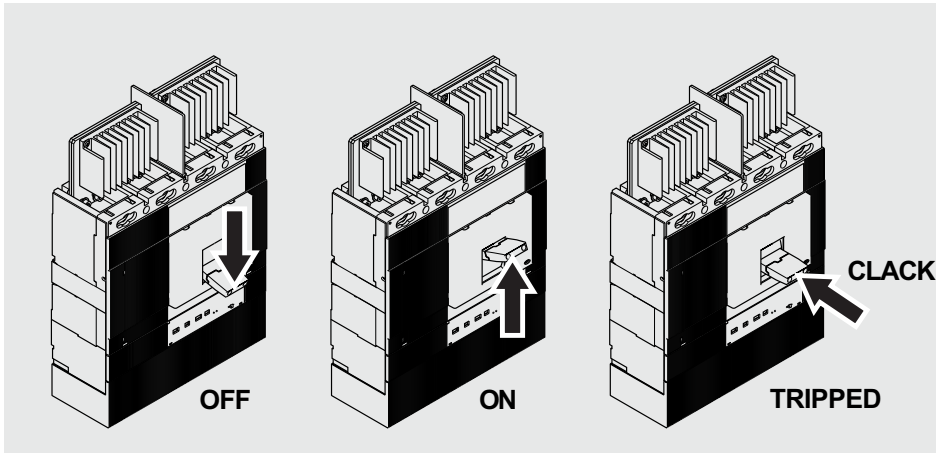
SACE Tmax T6 1000V DC for Jumpers

Istruzioni di installazione Tmax T6 1000V DC per Jumpers
 Installation instructions Tmax T6 1000V DC for Jumpers
 Installationsanleitung Tmax T6 1000V DC für Jumpers
 Instructions pour l'installation Tmax T6 1000V DC pour Jumpers
 Instrucciones de instalación Tmax T6 1000V DC para Jumpers



For 4PS solution consider distances D, E, F symmetrically with respect to X-X CB axis

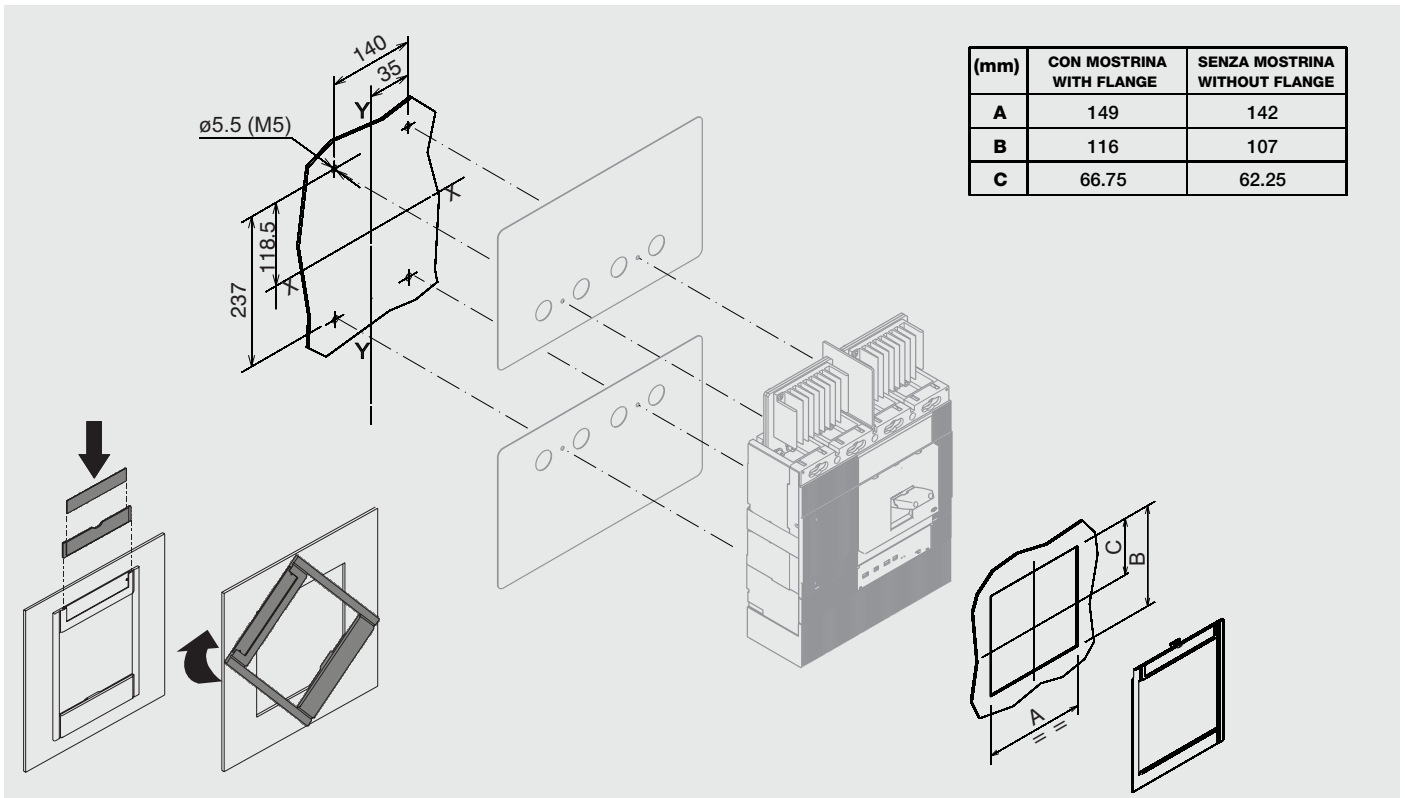
D



E

If the device is equipped with motor operator, MOE, openings with current shall be performed using SOR or UVR.

F



G

Per configurazioni di cablaggio diverse da quelle di seguito rappresentate eseguire prove di tipo specifiche sull'installazione e usare connessioni isolate

For different wiring configurations than those shown afterwards perform specific type test on the installation and use insulated terminals connection

Für Konfigurationen mit anderer Verdrahtung als unten stehend abgebildet, sind spezifische Stücknachweise auf der Installation auszuführen und isolierte Anschlüsse zu benutzen.

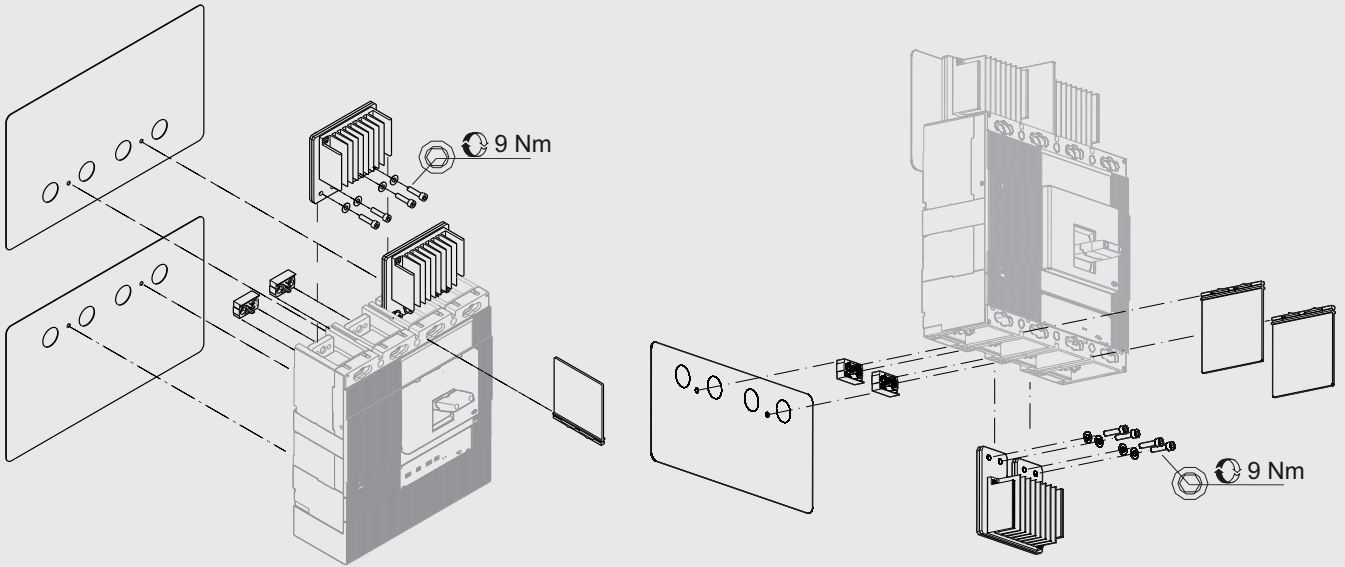
Pour les configurations de câblage différentes de celle représentées ci-dessous, effectuer des essais spécifiques de type sur l'installation et utiliser des connexions isolées

Para configuraciones de cableado distintas a las que se representan a continuación efectuar pruebas de tipo específicas en la instalación y usar conexiones aisladas

对不同于后续所示的布线，需对安装进行指定的型式试验，并使用绝缘的端子连接

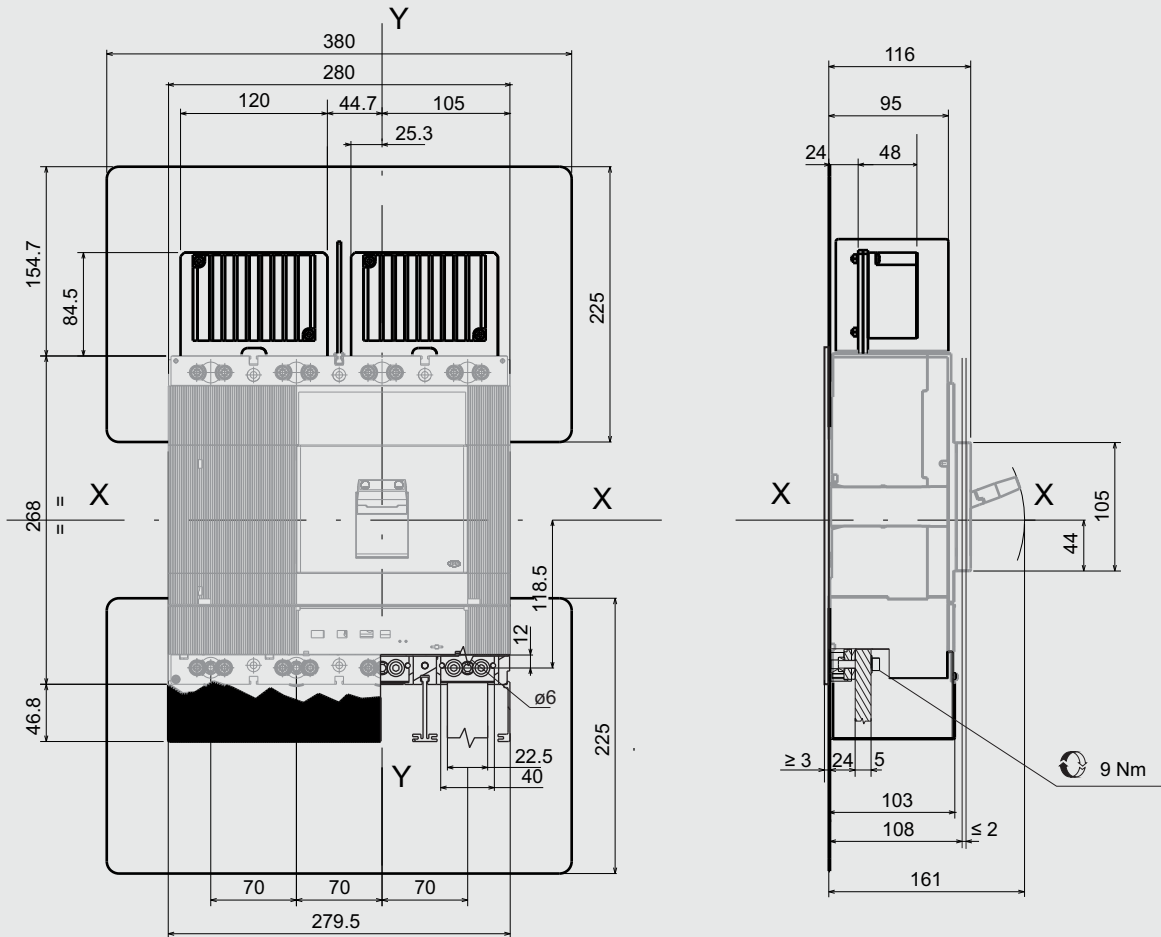
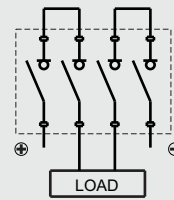
Example for 2P+2PS (Lower Supply)

Example for 4PS (Lower Supply)



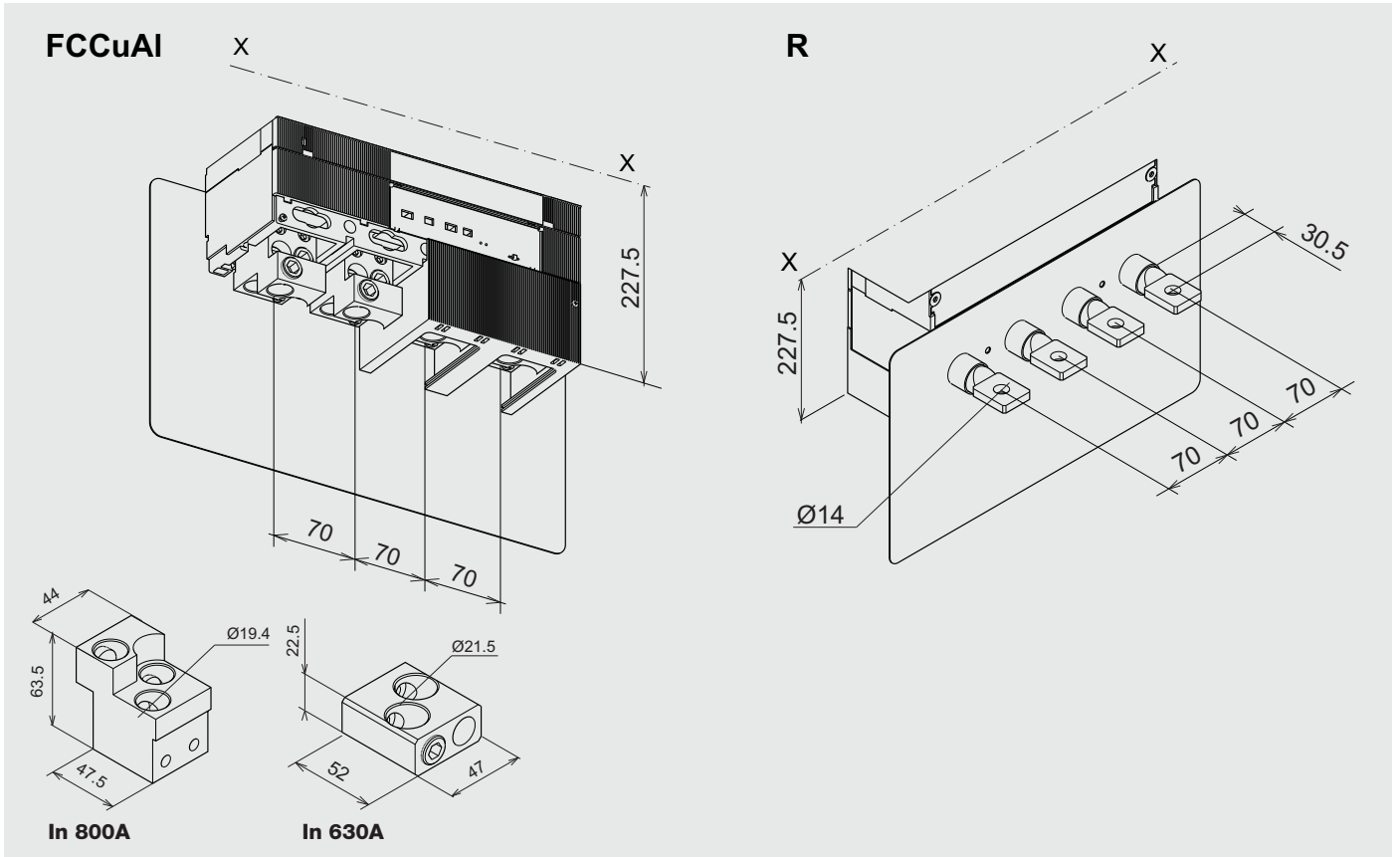
2PS+2PS solution, Lower Supply

2PS+2PS		
F	FCCuAl	R
✓	✓	✓



J

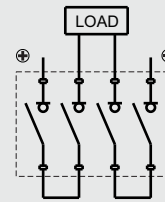
2PS+2PS solution, Lower Supply - Terminals



K

2PS+2PS solution, Upper Supply

2PS+2PS		
F	FCCuAl	R
✓	✓	✓



* Terminals configurations must be symmetrical with respect to x-x CB axis when CB is supplied from the top

L

		I3		
TMA	In	MIN 最小值 (In x 5)	MED 中间值 (In x 7,5)	MAX 最大值 (In x 10)
	630	3150	4725	6300
800	4000	6000	8000	

		I1		
TMA	In	MIN 最小值 (0,7)	MED 中间值 (0,85)	MAX 最大值 (1xIn)
	630	441	535,5	630
800	560	680	800	

For more information please contact:

ABB S.p.A.
ABB SACE Division
Via Pescaria, 35
24123 Bergamo - Italy