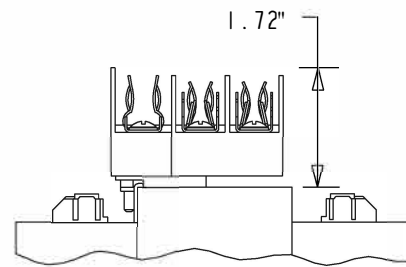
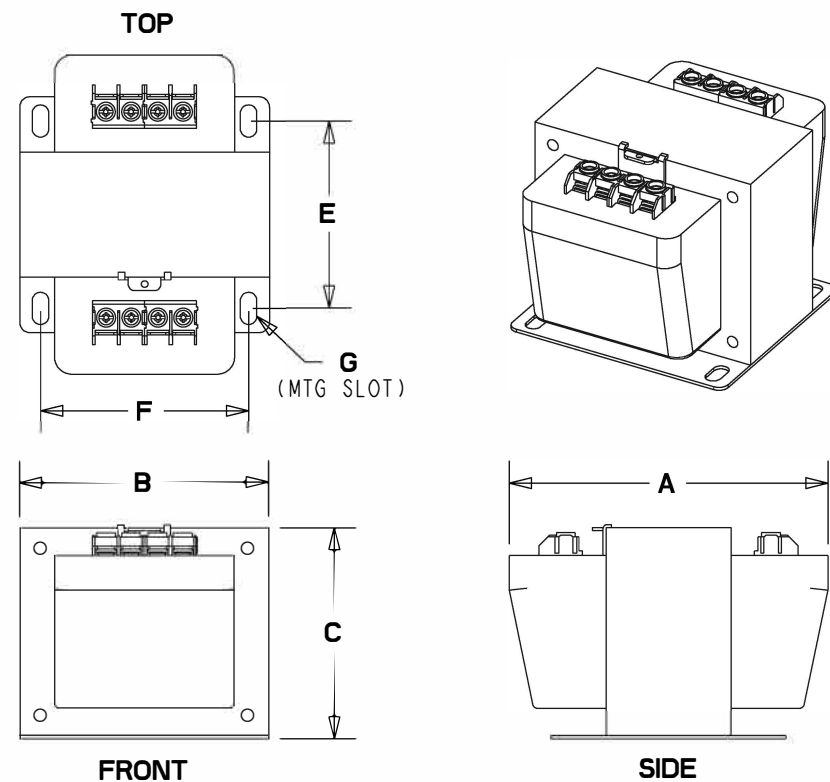


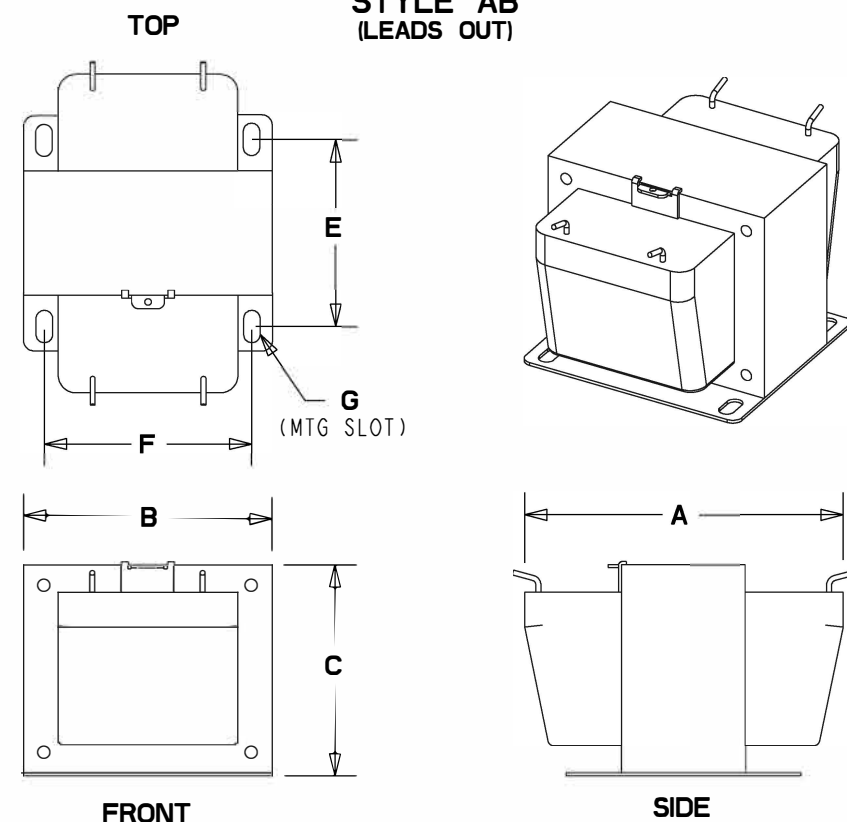
**STYLE AA  
(TERMINAL BLOCKS)**



**FUSE BLOCKS**  
NOTE: FUSE BLOCK OPTION MAY  
INCLUDE 1, 2, OR 3 POLE FUSE BLOCK

STYLE	PART	FRAME	REF 60 HZ KVA	APPROX WEIGHT (LBS)	MAXIMUM ENVELOPE			MOUNTING		
					DEPTH	WIDTH	HEIGHT	DEPTH	WIDTH	SLOT
					A	B	C	E	F	G
AA	P06100	6100	.050	2.6	4.00	3.06	2.68	2.16	2.50	.219 X .750
AB					3.25					
AA	P06125	6125	.075	3.0	4.25	3.06	2.68	2.41	2.50	.219 X .750
AB					3.50					
AA	P06150	6150	.087	3.4	4.50	3.06	2.68	2.66	2.50	.219 X .750
AB					3.75					
AA	P08100	8100	.100	3.9	4.12	3.81	3.28	2.16	3.12	.219 X .750
AB					3.42					
AA	P08150	8150	.150	5.5	4.62	3.81	3.28	2.66	3.12	.219 X .750
AB					3.92					
AA	P08175	8175	.200	6.3	4.88	3.81	3.28	2.91	3.12	.219 X .750
AB					4.18					
AA	P08200	8200	.250	7.0	5.12	3.81	3.28	3.16	3.12	.219 X .750
AB					4.42					
AA	P08250	8250	.375	8.3	5.62	3.81	3.28	3.66	3.12	.219 X .750
AB					4.92					
AA	P10225	10225	.500	11.6	5.75	4.56	3.90	3.38	3.75	.297 X .580
AB					5.12					
AA	P12225	12225	.750	13.0	5.81	5.31	4.56	3.38	4.00	.297 X .580
AB					5.31					
AA	P12300	12300	1.00	17.5	6.56	5.31	4.56	4.13	4.00	.297 X .580
AB					5.81					
AA	P14225	14225	1.50	29.0	6.31	6.81	5.81	3.38	5.50	.297 X .580
AB					6.81					
AA	P14300	14300	2.00	35.5	7.06	6.81	5.81	4.13	5.50	.297 X .580
AB					7.06					
AA	P14475	14475	3.00	51.5	8.81	6.81	5.81	5.88	5.50	.297 X .580
AB					8.81					

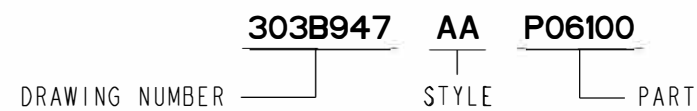
**STYLE AB  
(LEADS OUT)**



**NOTES:**

- 1) STYLE "AA" TRANSFORMERS: RECOMMENDED TERMINAL SCREW TORQUE 6-8 IN LB
- 2) STYLE "AB" TRANSFORMERS: STANDARD LEAD LENGTH IS 10"

\*\* OUTLINE NUMBERING METHOD \*\*



**ABB**

**TYPE - IP TRANSFORMERS**  
DRY-TYPE, SINGLE-PHASE, CORE-AND-COIL TRANSFORMERS  
FOR CONTROL, MACHINE TOOL, AND POWER APPLICATIONS  
UL LISTED

DATE 04-14-21	REV LEVEL 005	DIST	DRAWING NUMBER <b>303B947</b>	SHEET 1 OF 1
------------------	------------------	------	----------------------------------	-----------------